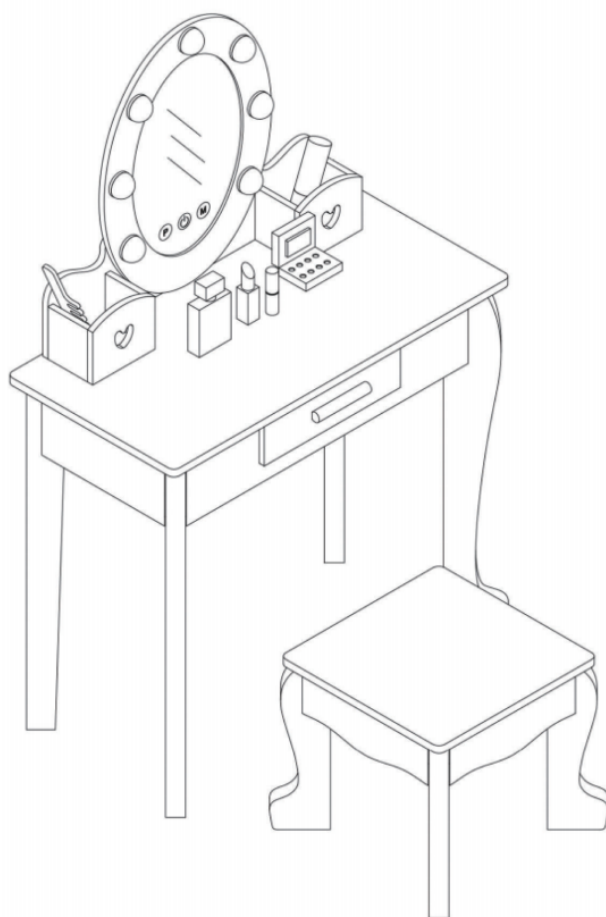


Kids Vanity Set

Product ID. MY2K4

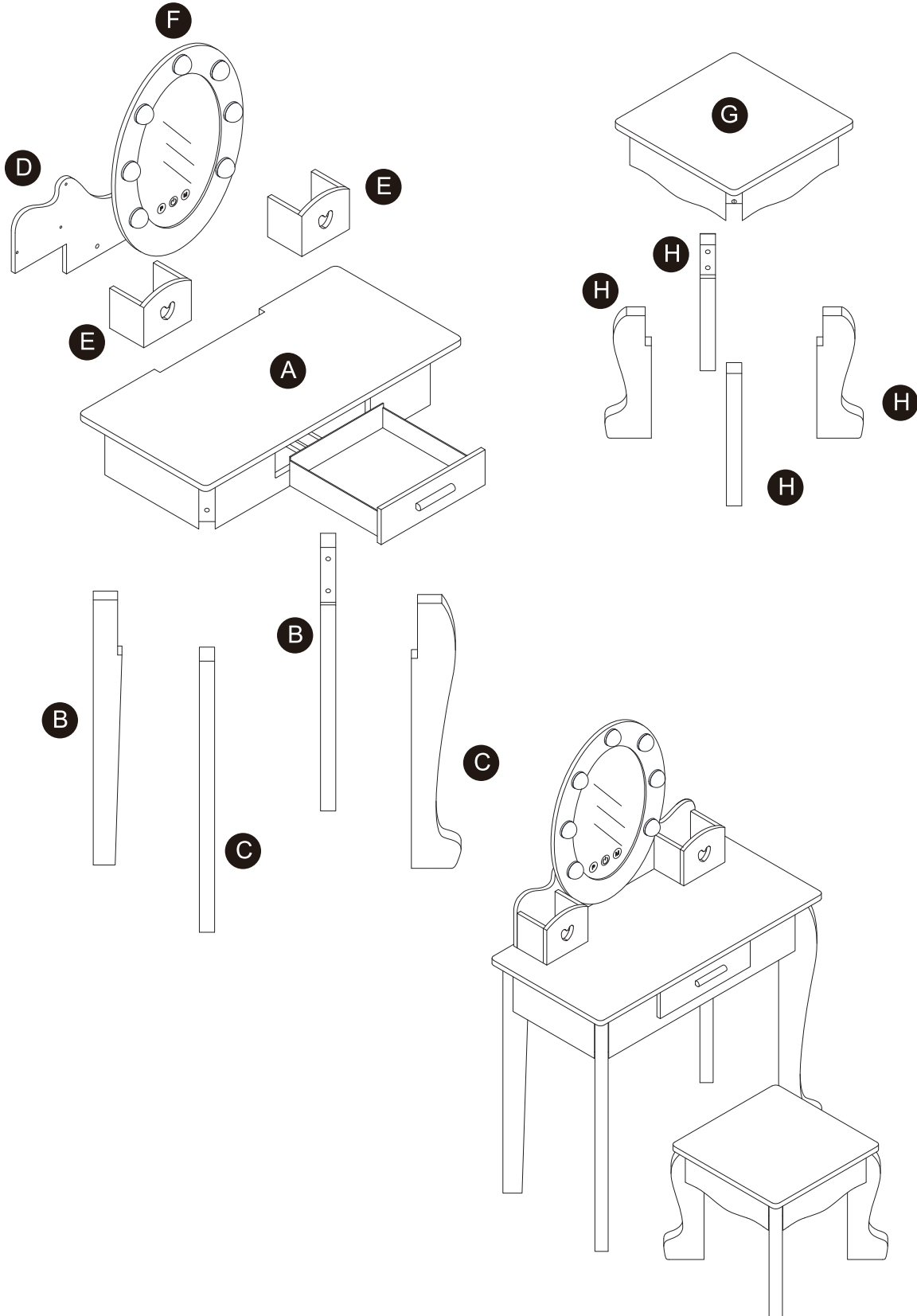


Scan for Support
support@garvee.com



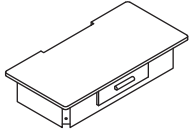
Distributed by
GARVEE.com

Exploded Drawing

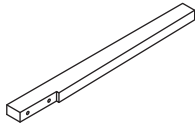


Product Parts

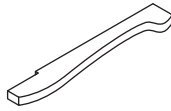
A



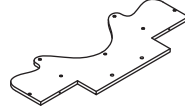
B



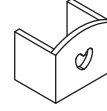
C



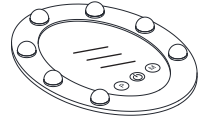
D



E



F

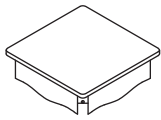


2 pcs

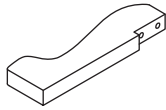
2 pcs

2 pcs

G

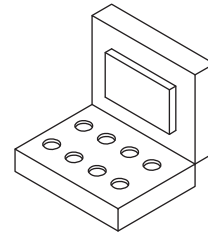
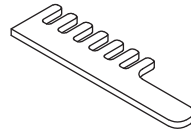
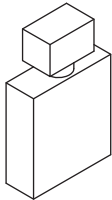


H



4 pcs

Accessories



Hardware

1



M6*40mm

16 pcs

2



18 sets

3



∅4*22mm

4 pcs

4



∅4*19mm

3 pcs

5



M6*22mm

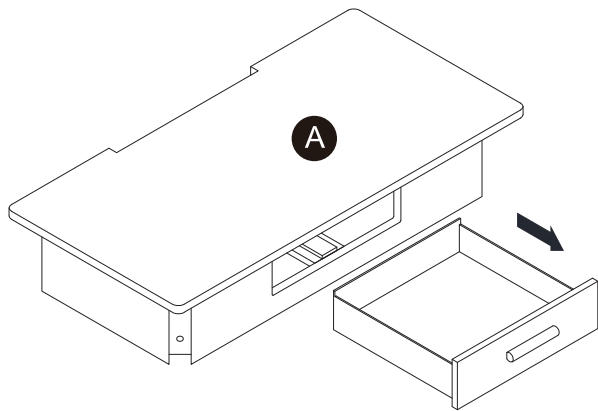
2 pcs

6



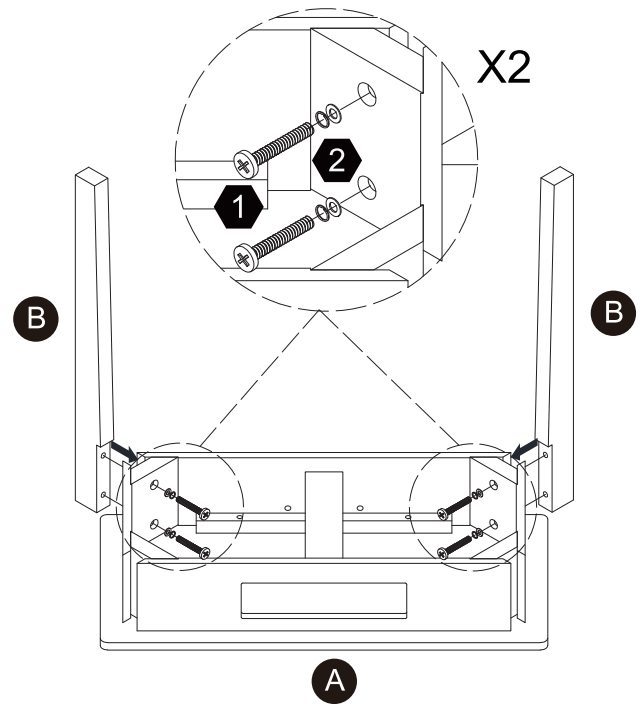
1 set

Step 1



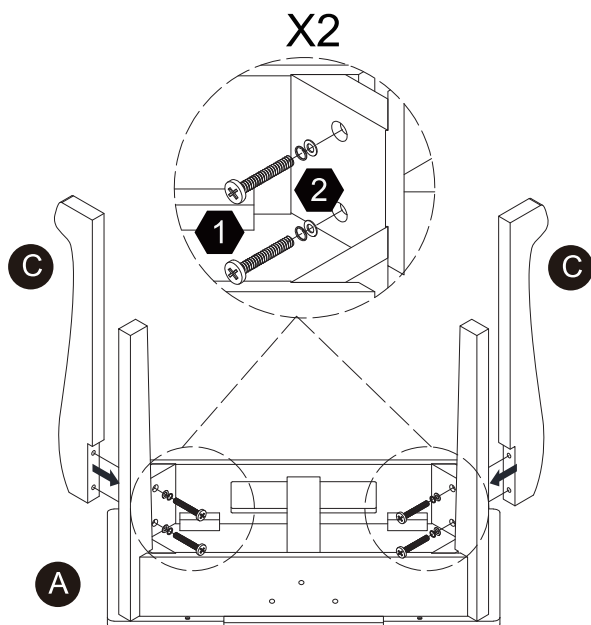
Step 2

- 1  4 pcs M6*40mm 2  4 sets




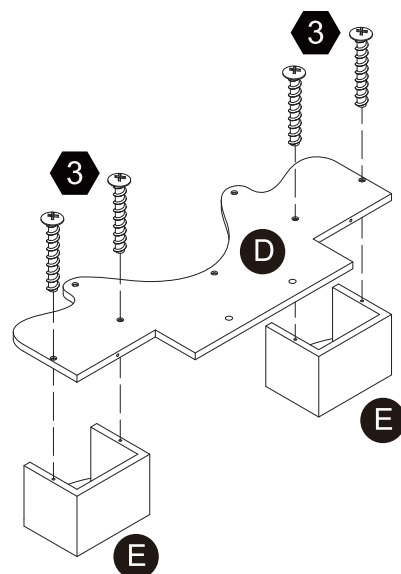
Step 3

- 1  4 pcs M6*40mm 2  4 sets




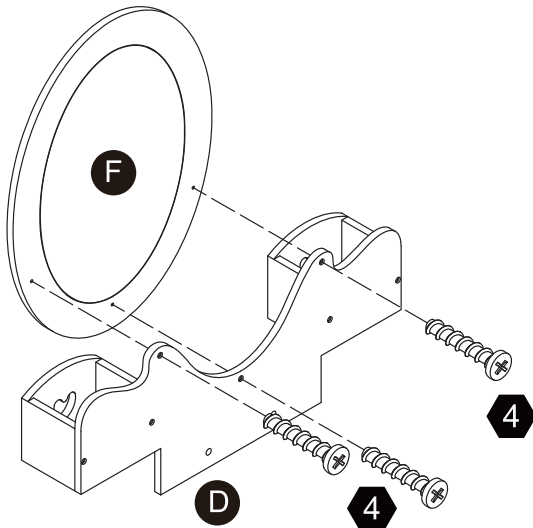
Step 4

- 3  4 pcs $\varnothing 4 \times 22 \text{mm}$



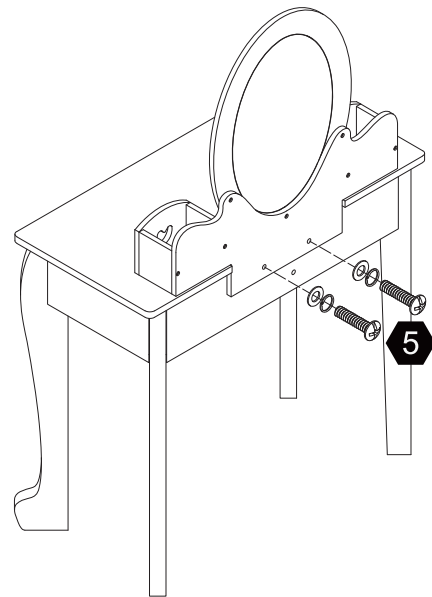
Step 5

4  3 pcs
 $\varnothing 4 \times 19 \text{mm}$

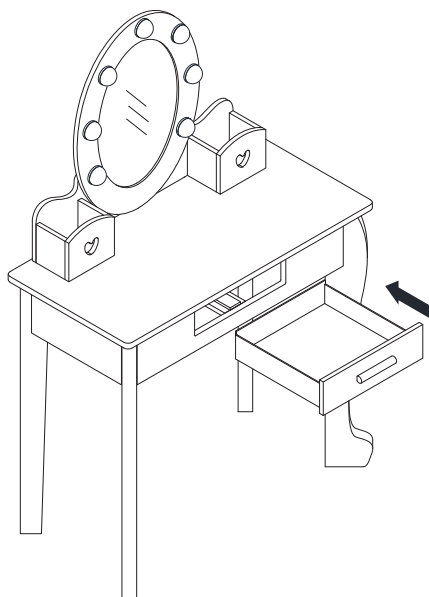


Step 6

5  2 pcs
 $M6 \times 22 \text{mm}$ **2**  2 sets

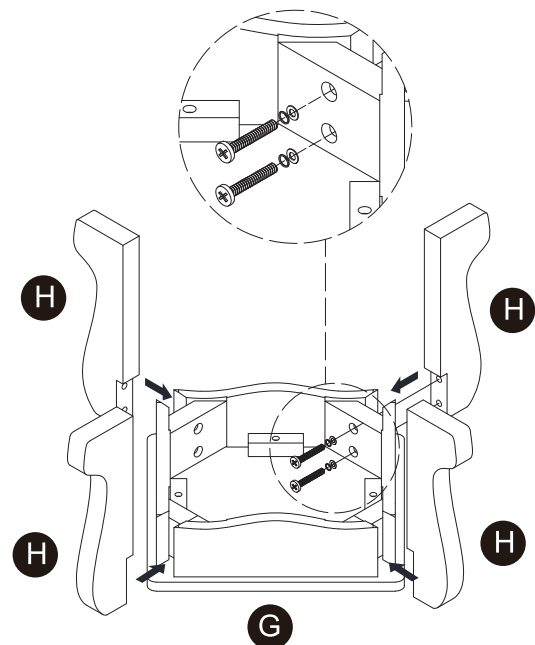


Step 7

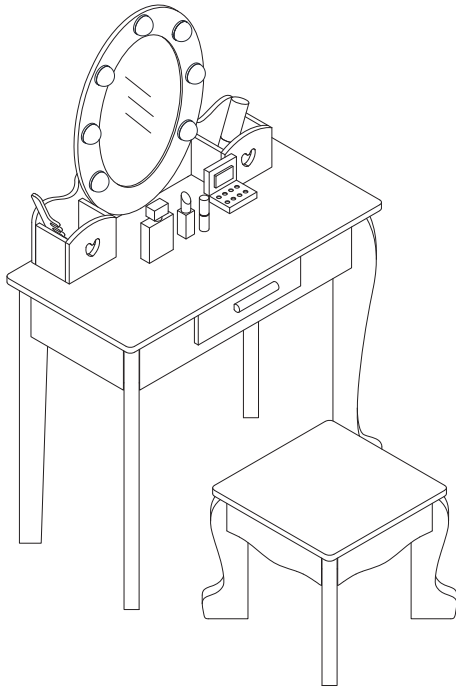


Step 8

1  8 pcs
 $M6 \times 40 \text{mm}$ **2**  8 sets



Step 9



WALL MOUNTING ASSEMBLY

For added safety and stability, it is recommended that the wall mounting hardware be installed. For safe mounting, it is essential to use wall anchors appropriate to your wall type (i.e. plaster, drywall, concrete, etc.). Mount to wood studs whenever possible.

⚠ WARNING:
Do not install on a wall where items can fall off and injure a child.

⚠ WARNING:
CHOKING HAZARD, Unassembled parts may be choking hazard to children 3 years and younger.

Use a 1/4" (6.5mm) drill bit to pilot the hole. If mounting to plaster, wood panels, brick or other drywall please consult a qualified professional.

Please make sure you use the right hardware for your wall type for your safety.

⚠ CAUTION:
Adult assembly required.
Hardware contains small screws with sharp points.
Keep unassembled parts out of reach of small children.

Hardware

A. Screw x 1
M4x25mm



E. Wood Screw x 1
Φ4X32mm



B. Small Washer x 2
Φ10XΦ5X1mm



F. Nut x 1



C. Plastic Anchor x 1



G. Large washer x 1
Φ16XΦ6X1mm



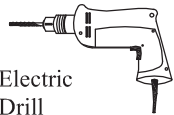
D. Plastic Anchor x 1



Wrench x 1



The following tools (not included) are required for assembly:



Electric Drill



1/4" (6.5mm) Drill Bit

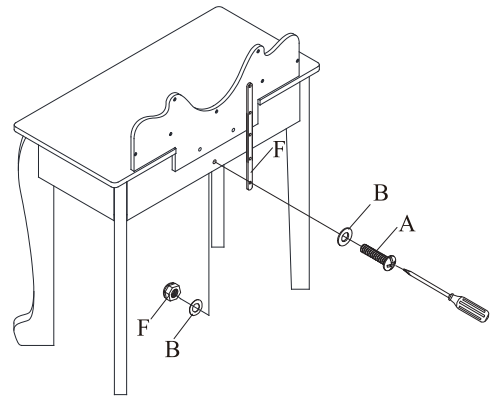


Phillips® Screwdriver

Step 1

Attach Plastic strip to back of product.

Hole predrilled in product backboard #A

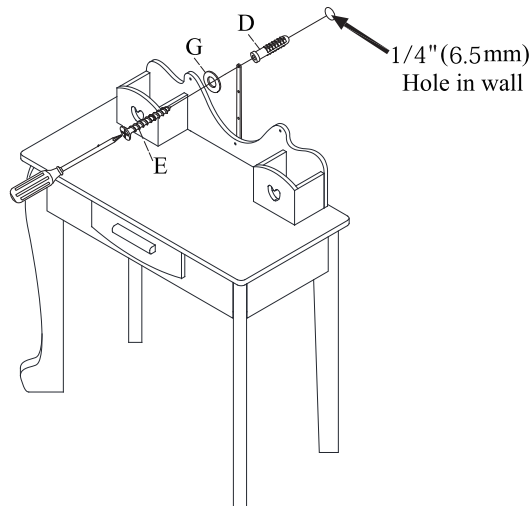


Step 2 Use 1/4" (6.5mm) drill bit to drill hole in wall

Do not drill an oversized hole or the wall anchor will not hold tightly into the wall.

Tap wall anchor into hole.

Secure product to wall with screw "E" through Plastic strap and into wall anchor.



Warning:

Serious or fatal injuries can occur from furniture tip-over. To help prevent furniture tip-over:

Use provided mounting hardware to secure furniture to the wall.

This may reduce but not eliminate the risk of furniture tip-over.

Do not allow children to climb on furniture.

Keep remote controls, toys, and other items that might attract children off of this product.

Unless specifically designed to accommodate, do not set televisions or other heavy objects on top of this product.

GARVEE
support@garvee.com