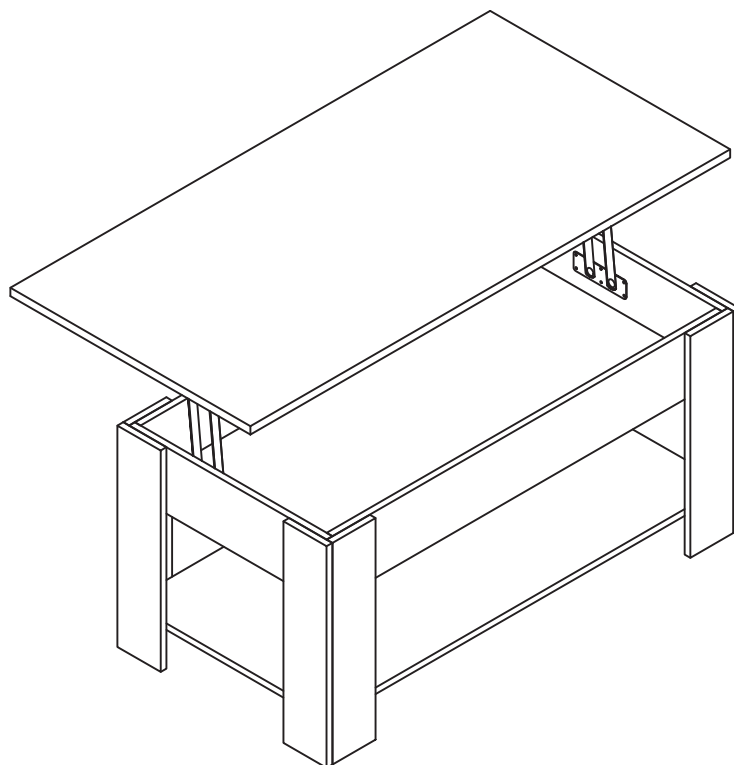
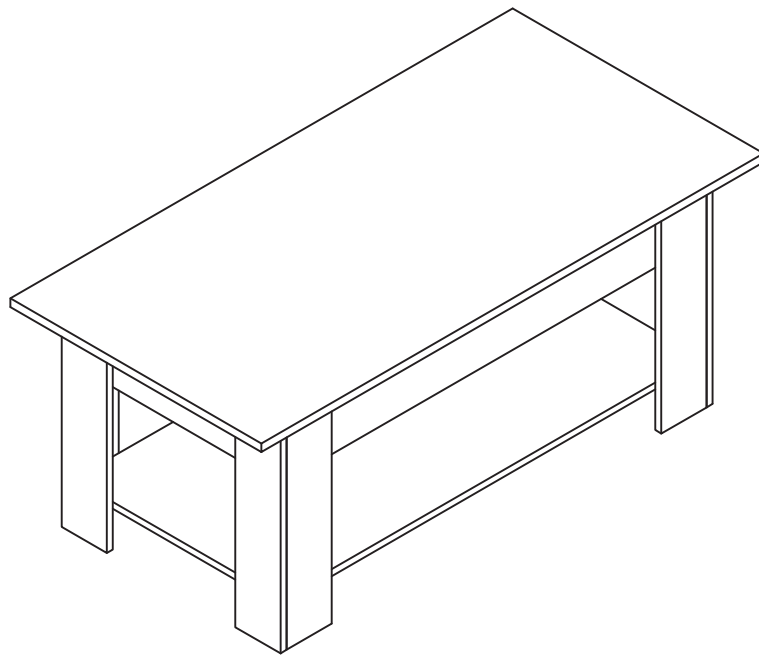
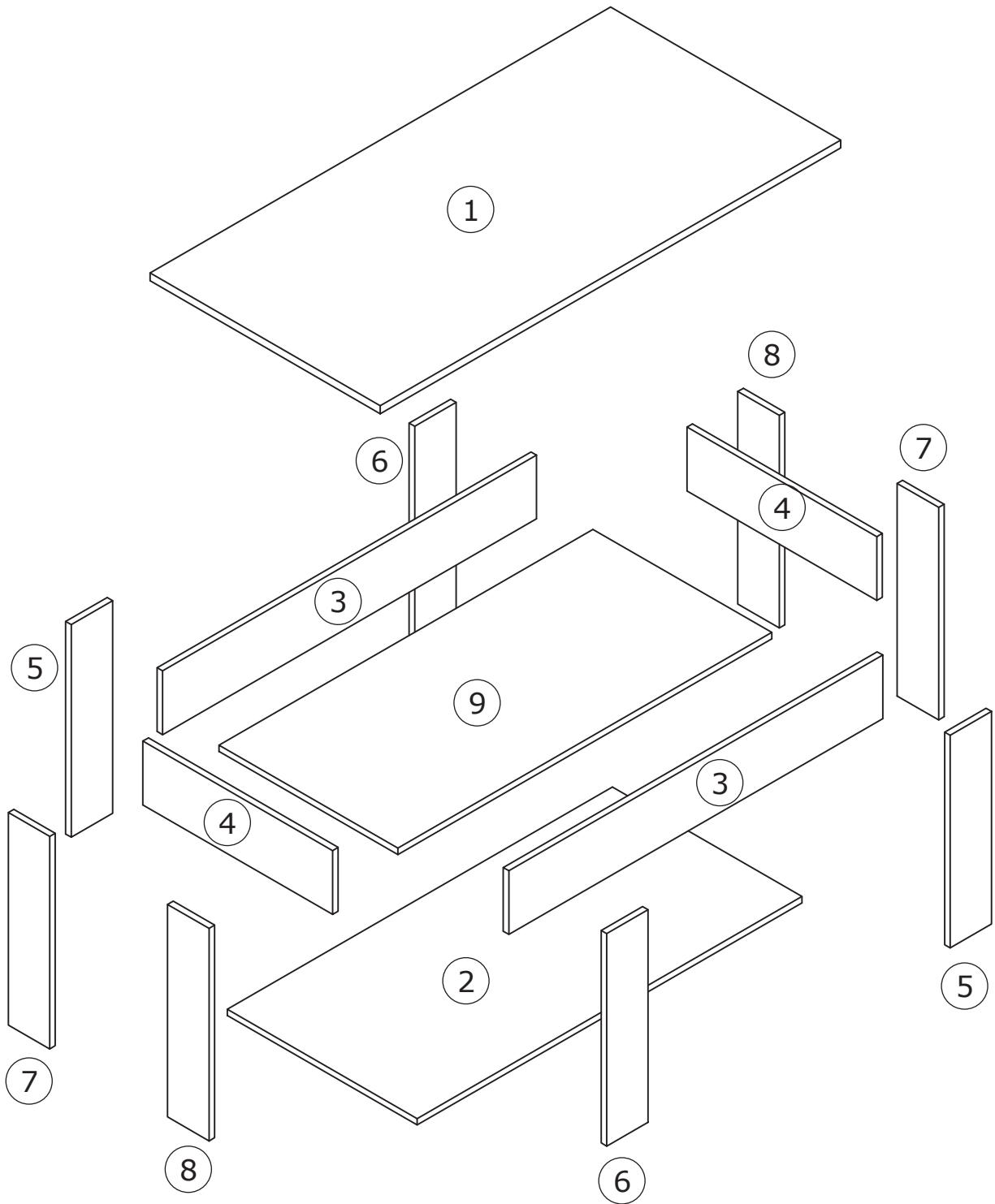


# Product Manual





A



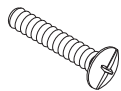
x24

B



x24

C



x18

D



x18

E



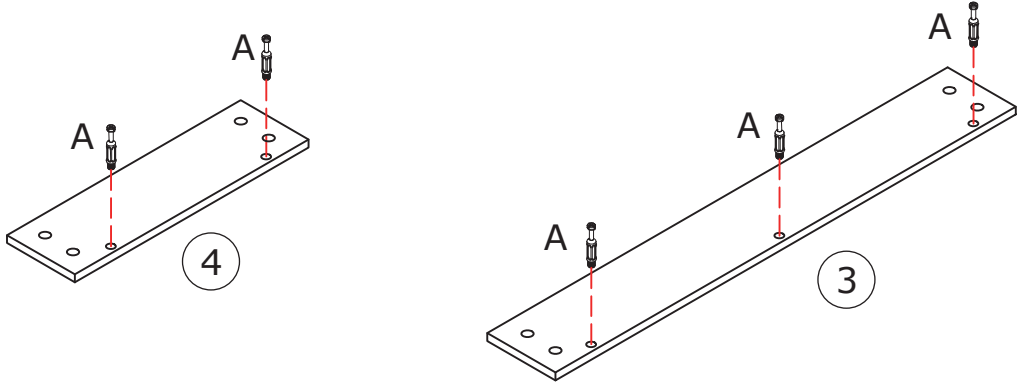
x30

F

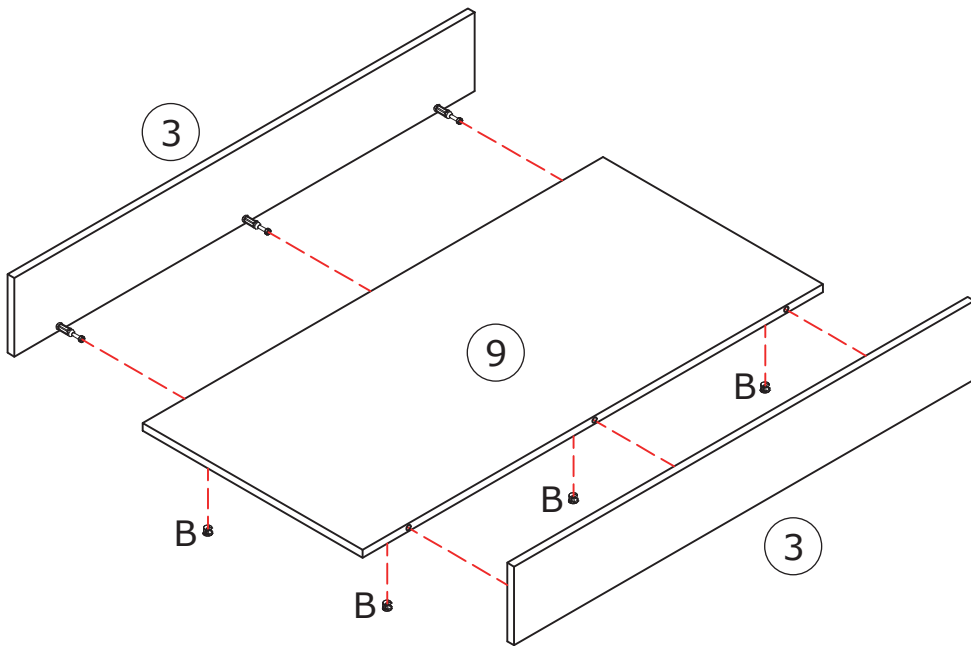


x1

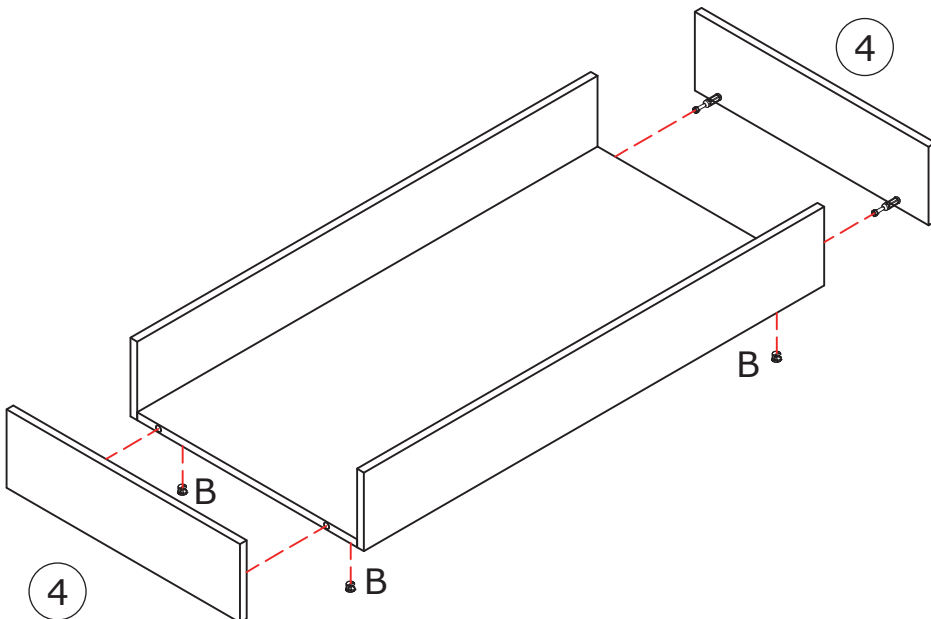
1



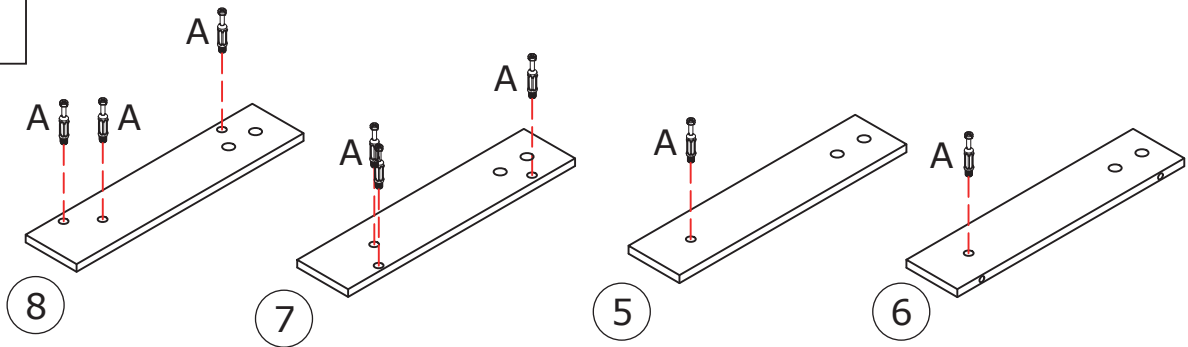
2



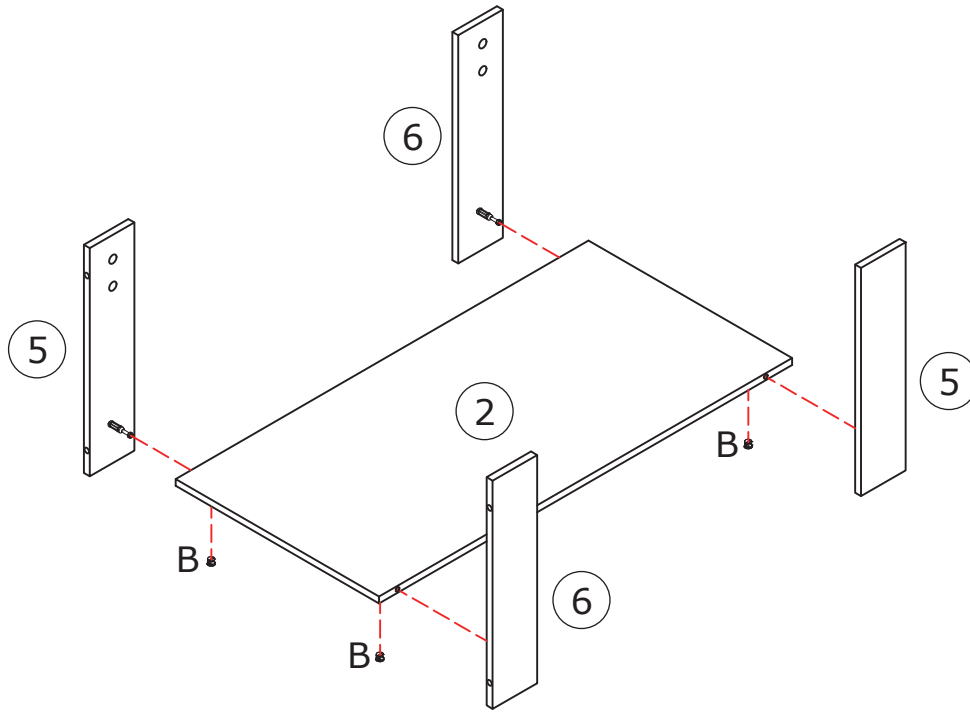
3



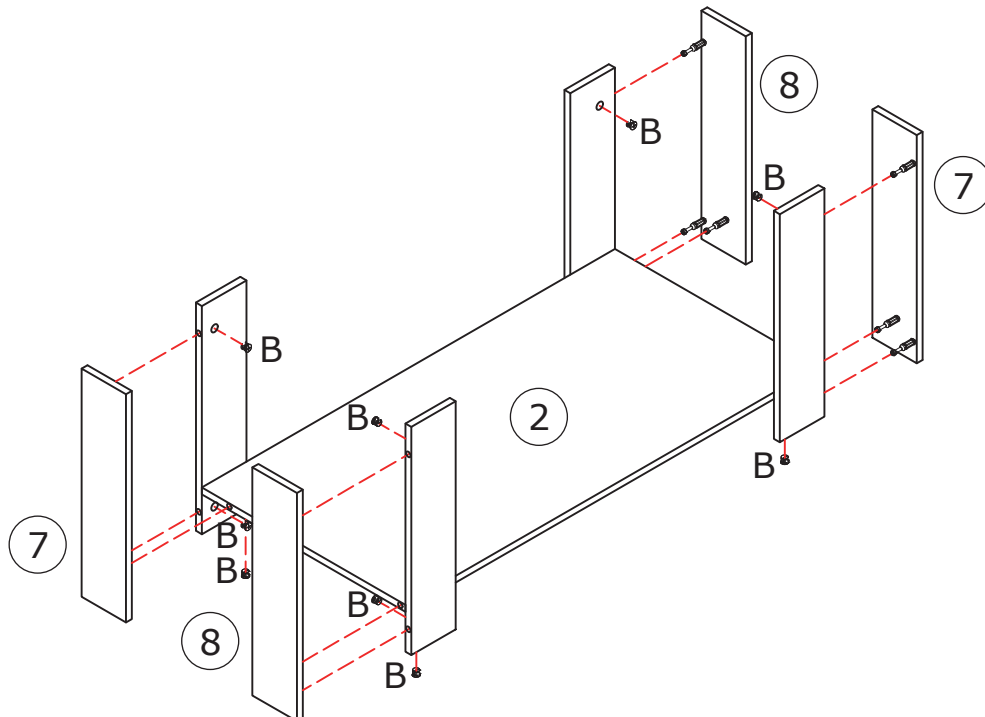
4



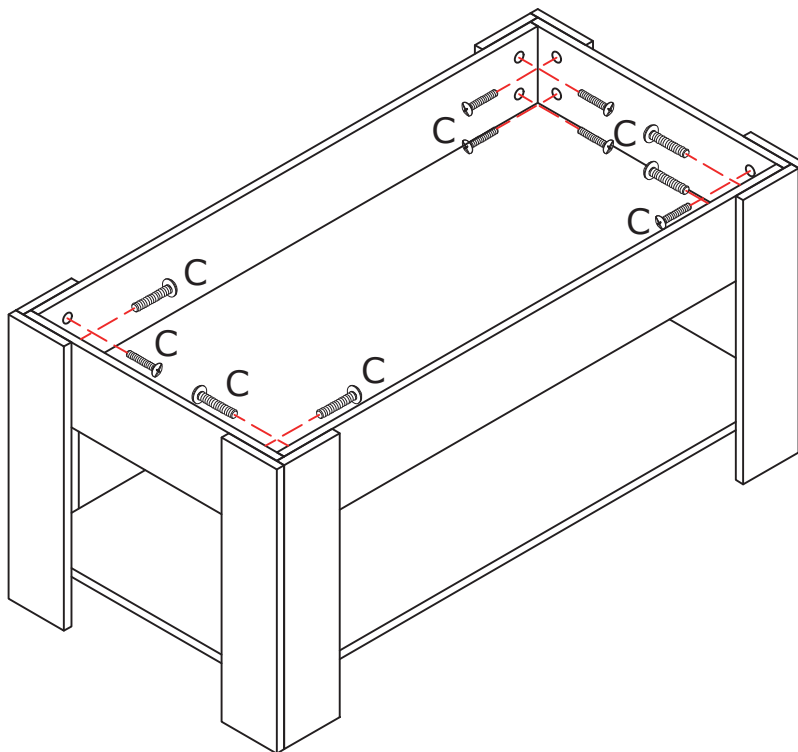
5



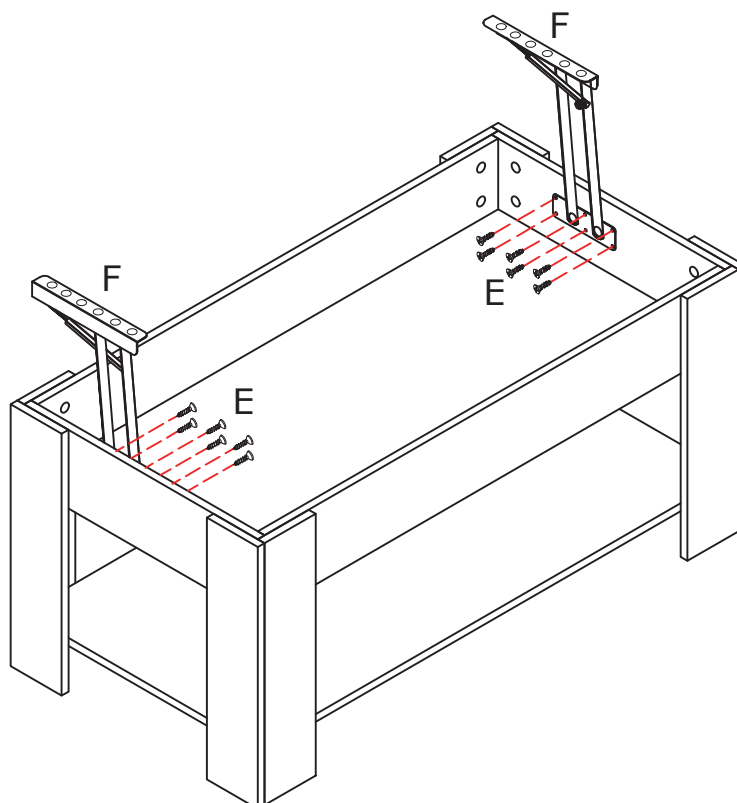
6



7



8



9

