

ARJ-J01B-32

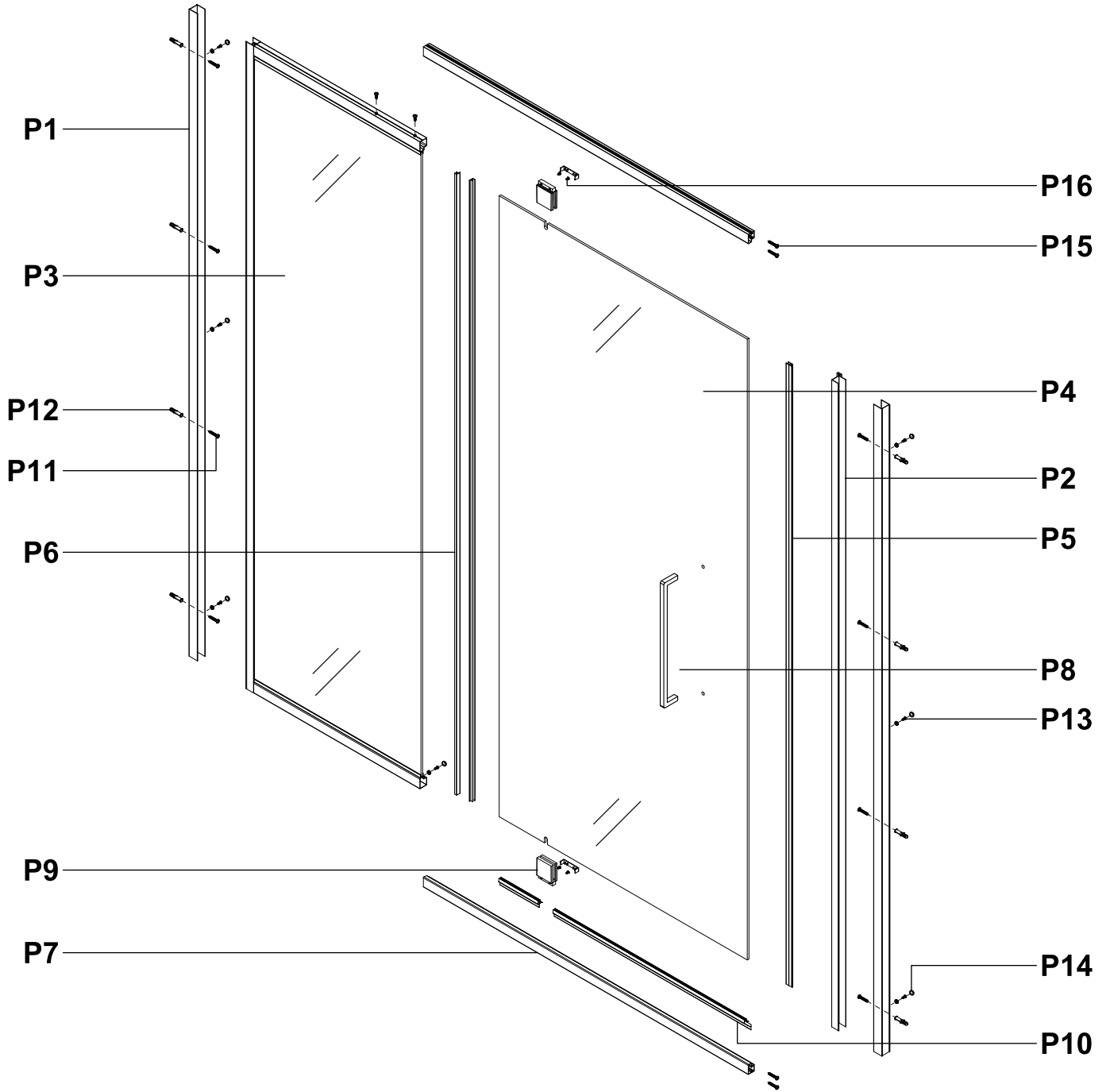
32"-36"\*72"inch

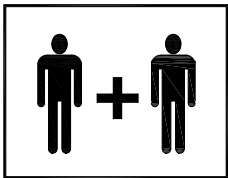
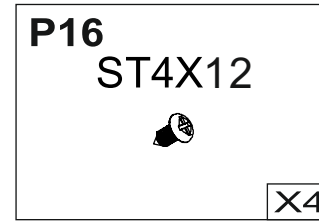
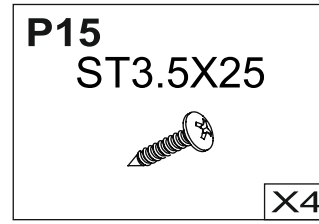
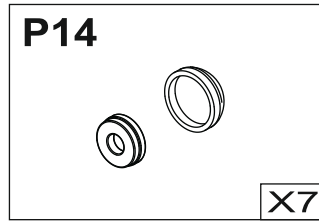
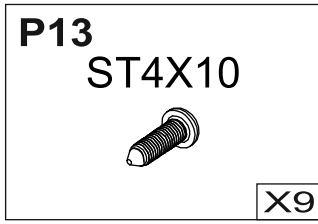
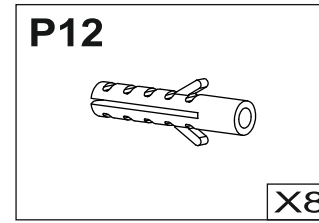
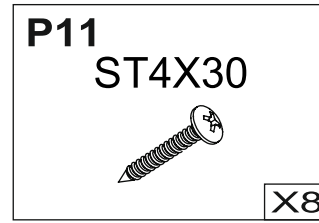
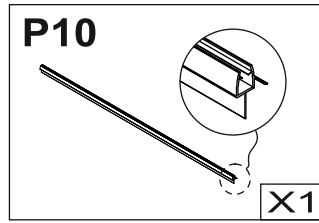
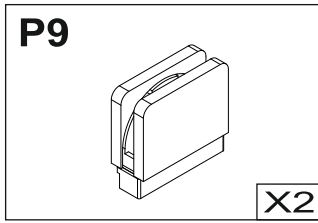
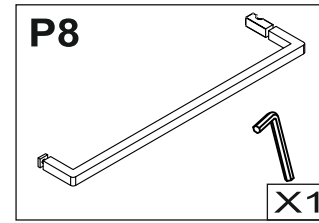
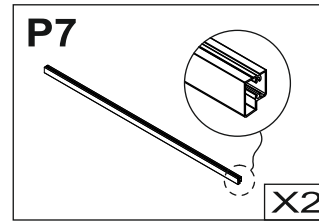
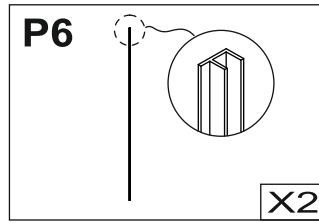
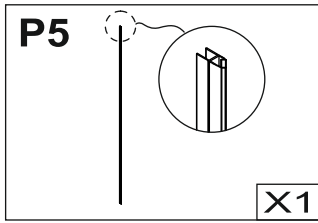
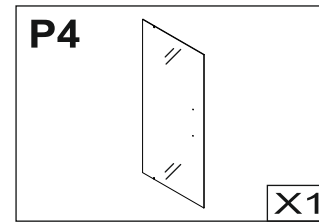
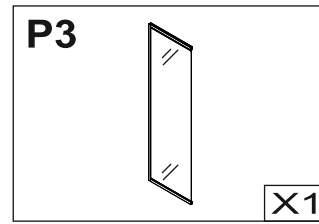
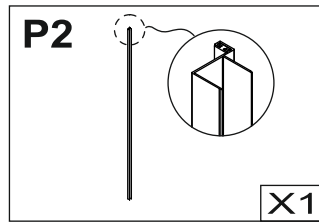
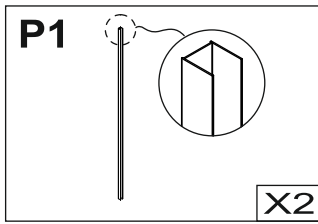
ARJ-J01B-44

44"-48"\*72"inch

ARJ-J01B-56

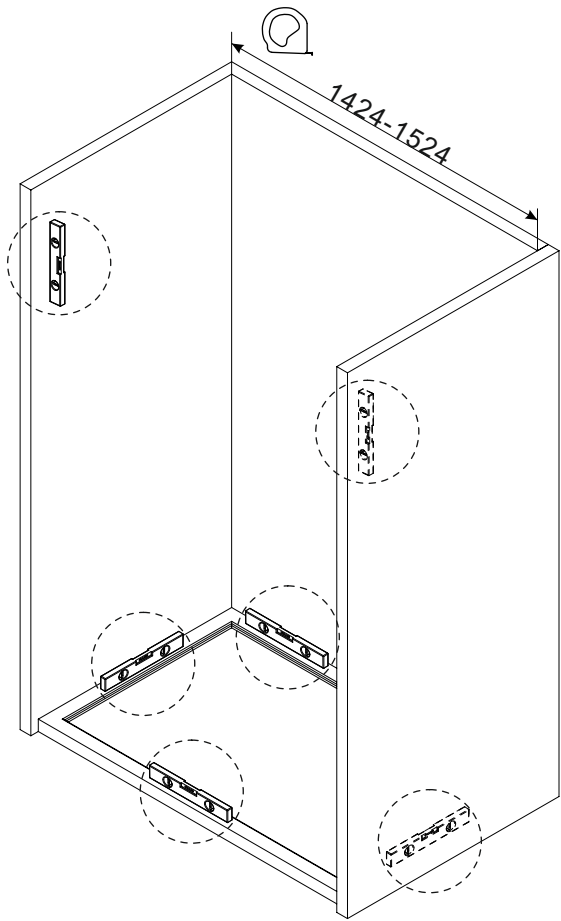
56"-60"\*72"inch







					 ø3 ø6

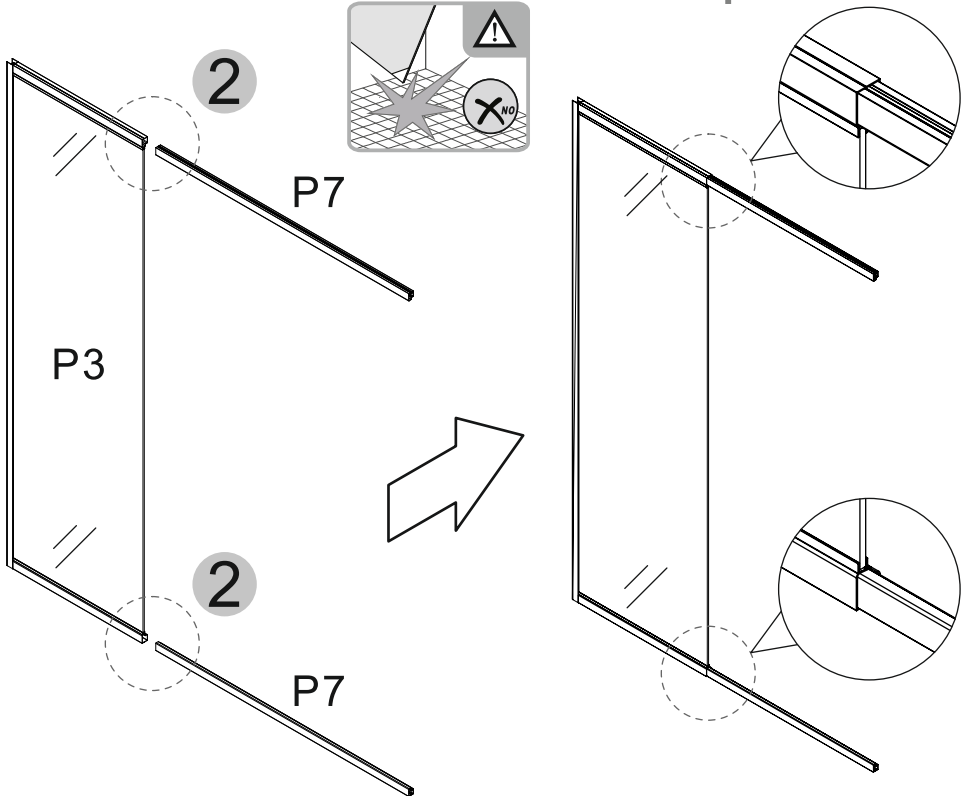
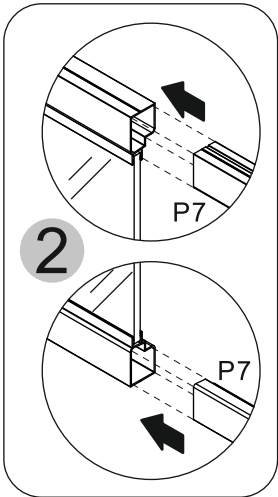
# Model Specific Preparation





 Verify threshold and wall with a level.

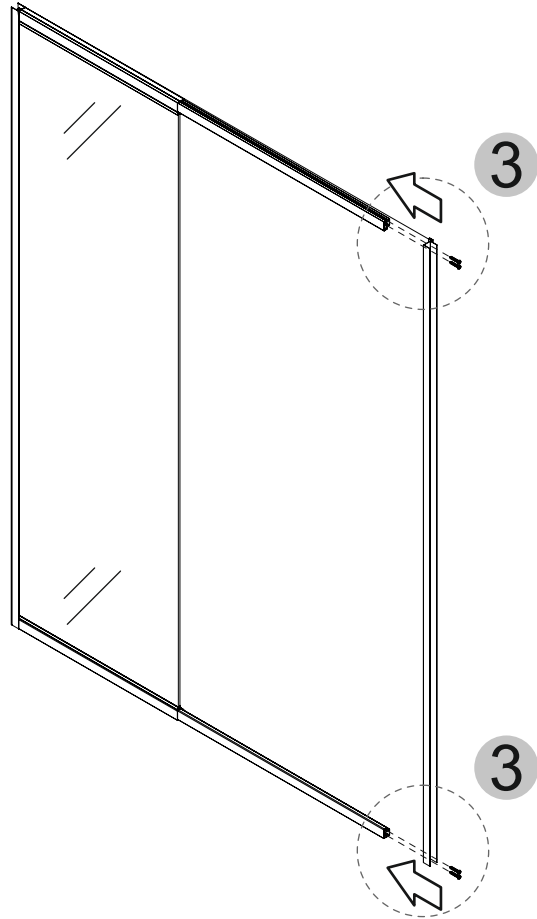
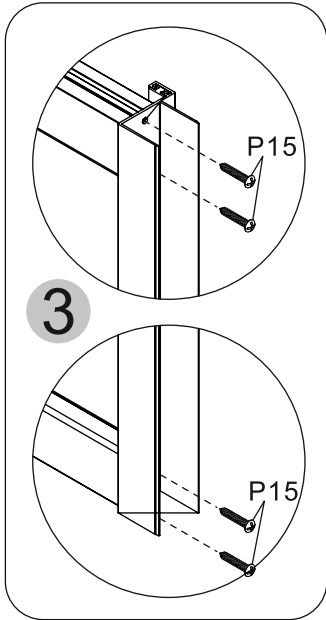
Picture	NO.	Qty.
	P3	x1
	P7	x2


## Top & Bottom Rails & Expandable rails cap Installation



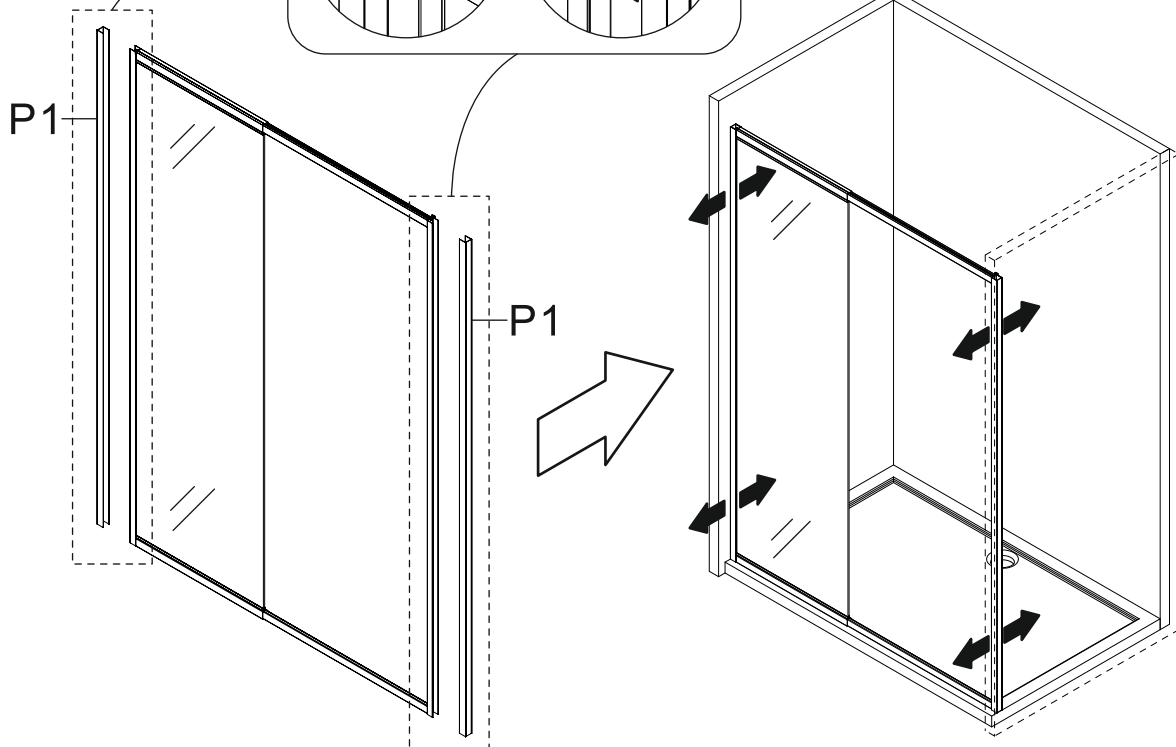
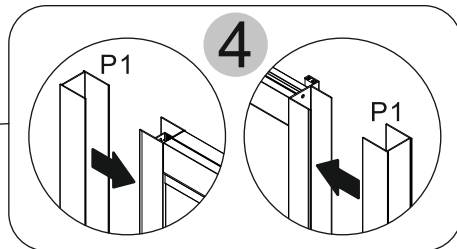
### Magnetic Strike profile Installation

Picture	NO.	Qty.
	P2	x1
 ST3.5X25	P15	x4

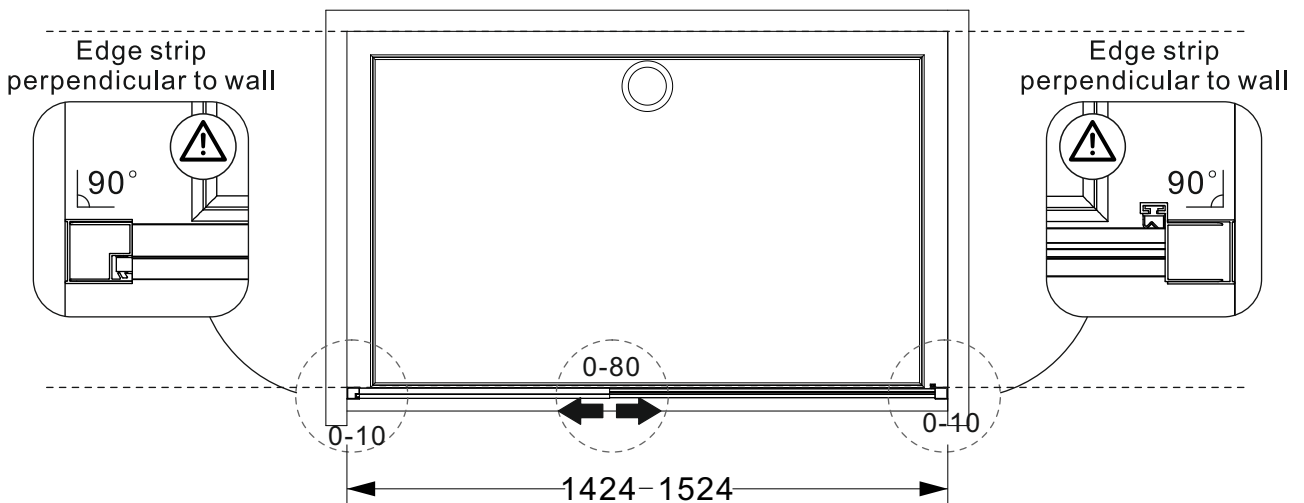
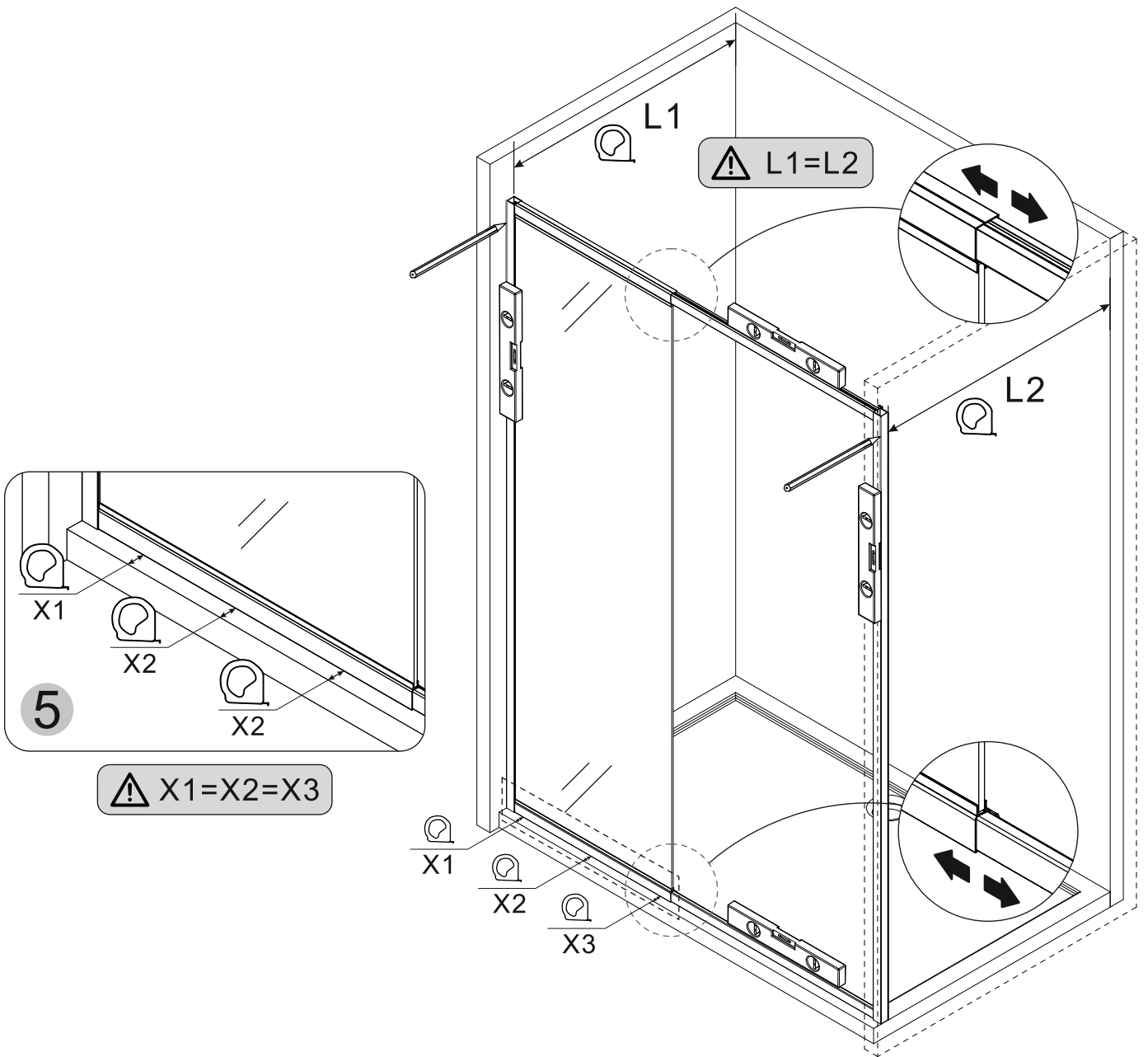


Picture	NO.	Qty.
	P1	x2

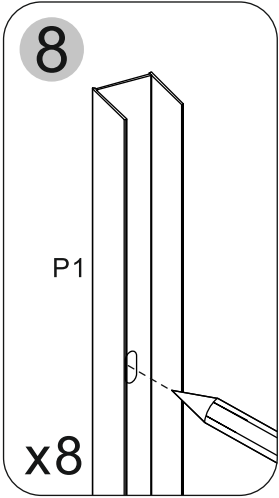
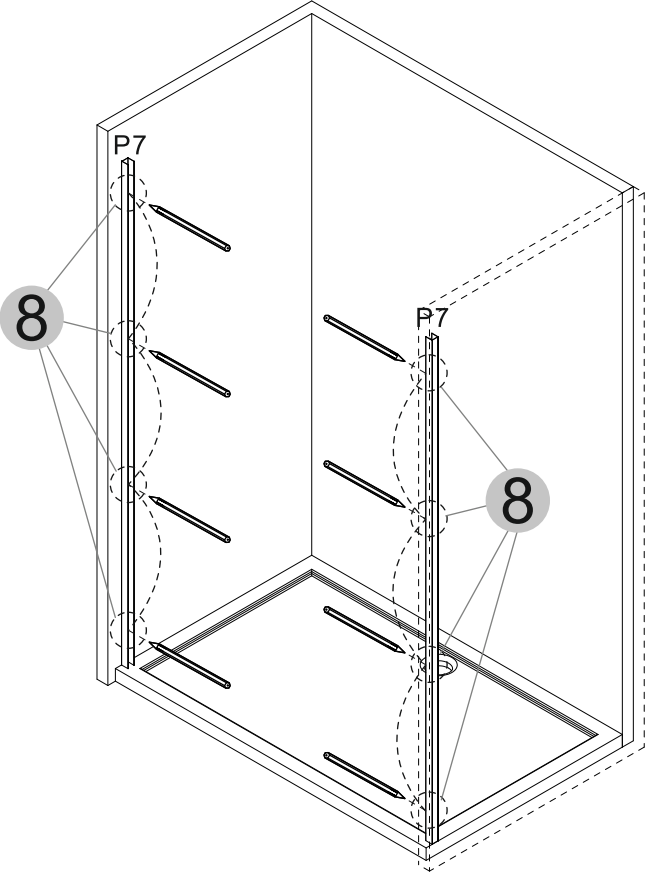
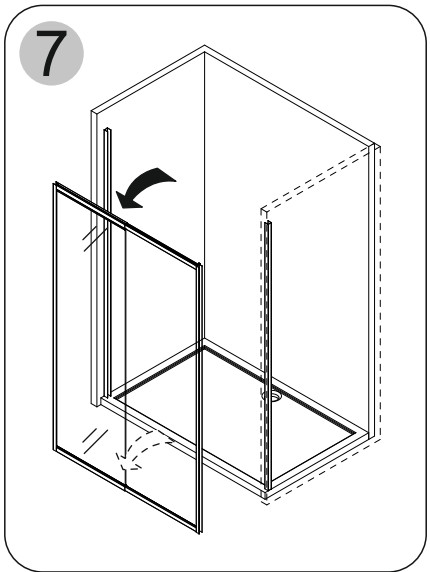
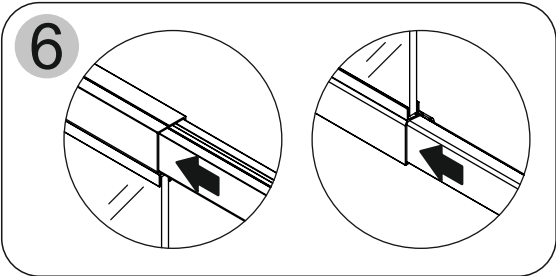
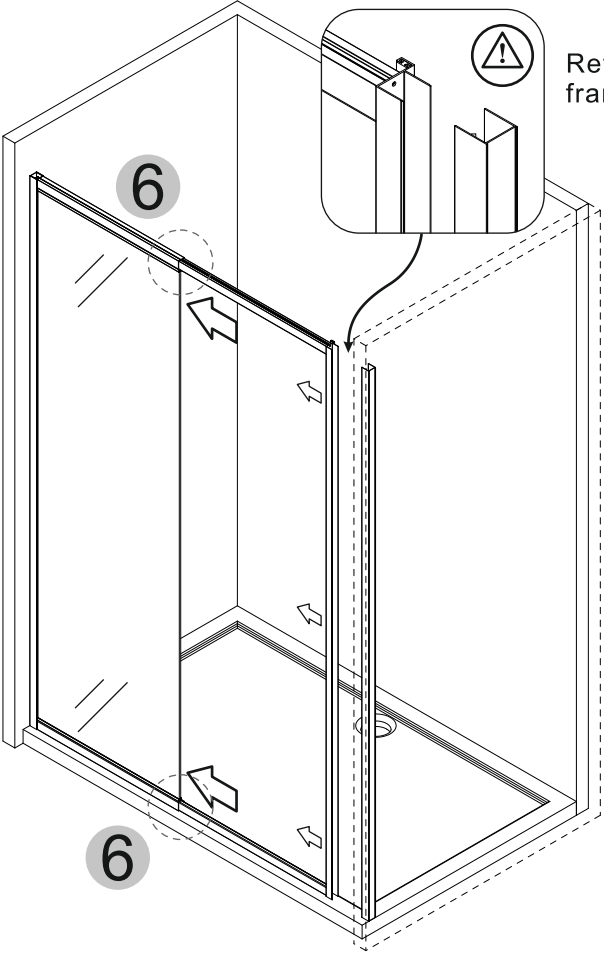
### Wall Jamb Installation





# Door Assembly Adjustment

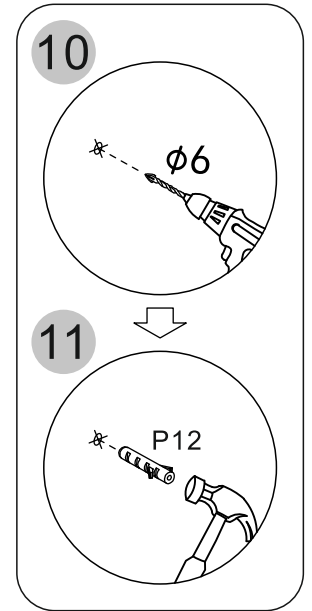
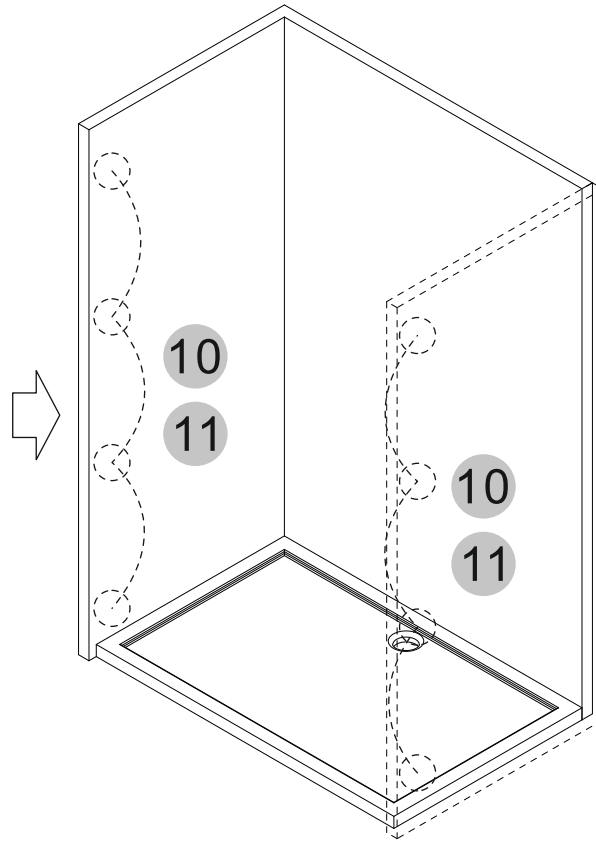
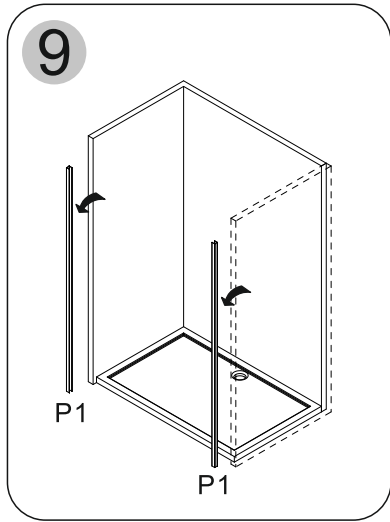


# Wall Jamb Installation

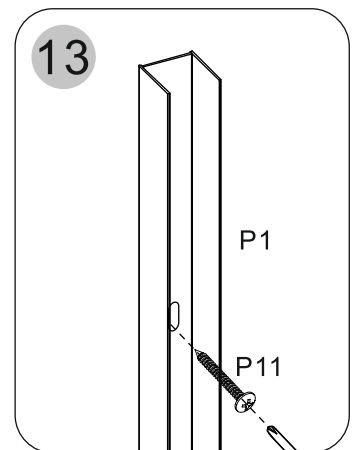
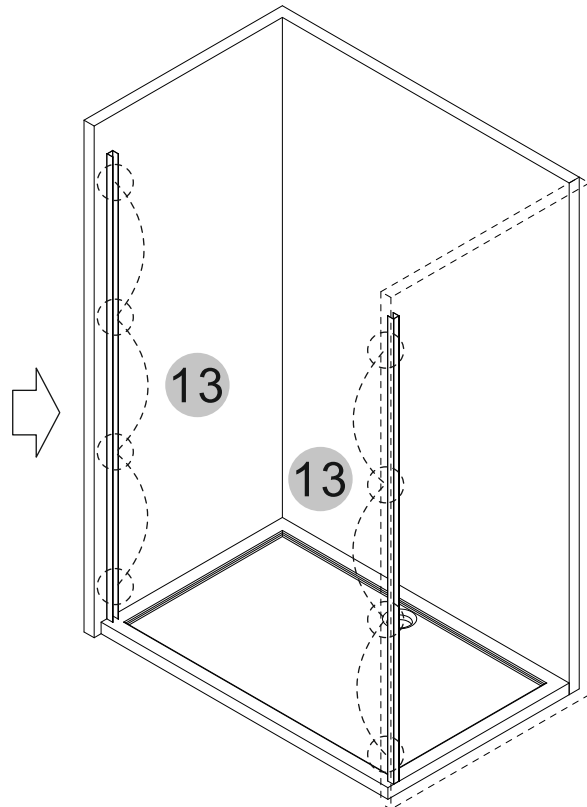
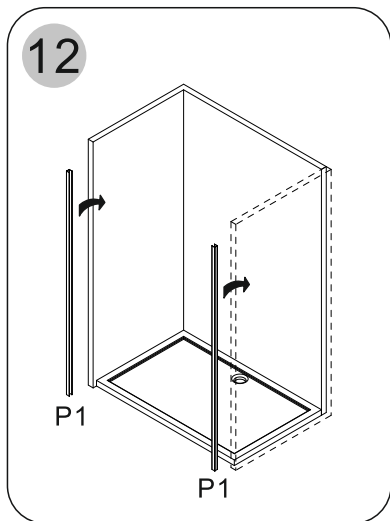


# Wall Jamb Installation

Picture	NO.	Qty.
 ST4X30	P11	x8
	P12	x8



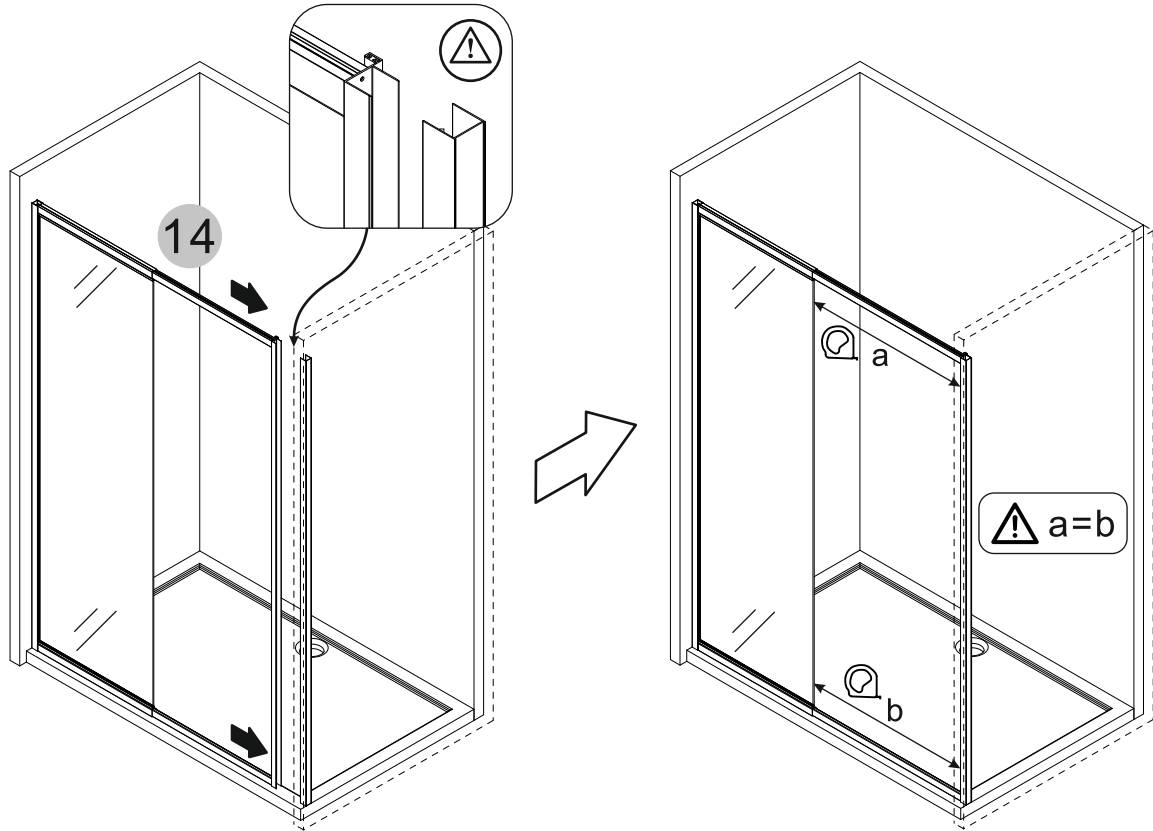
x8

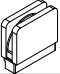


x8

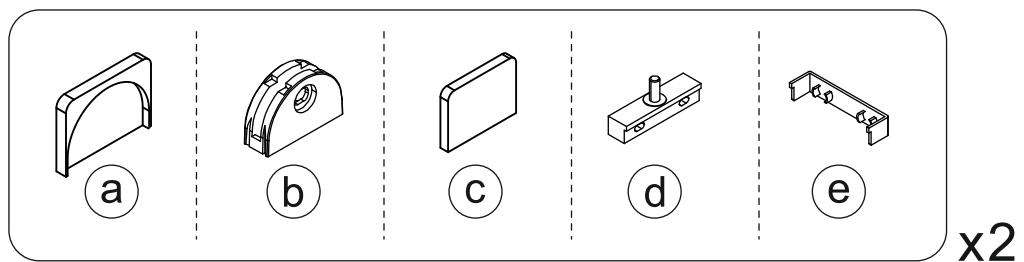
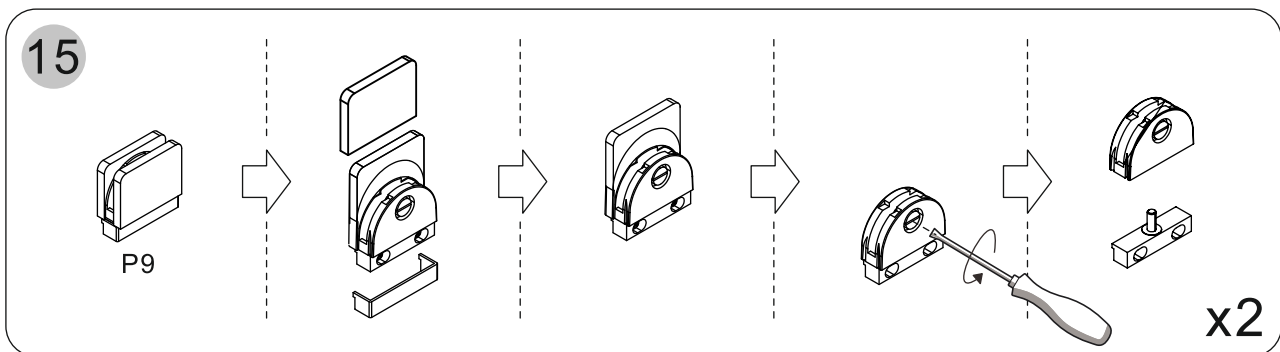
## Door Assembly Installation

Extend the track to join the frame with the edge strip




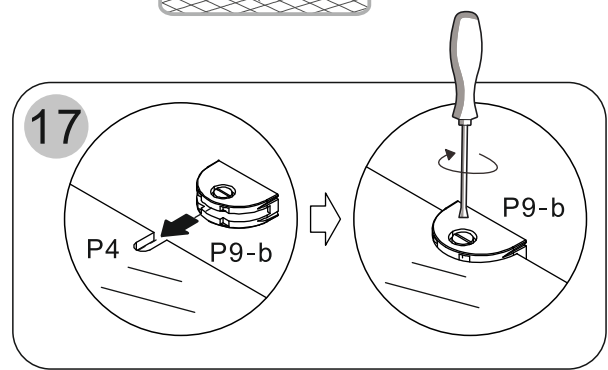
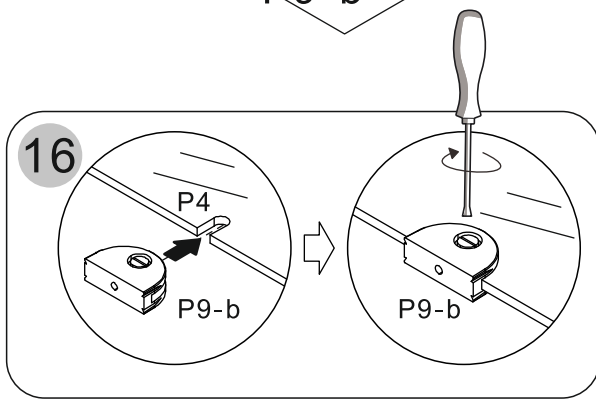
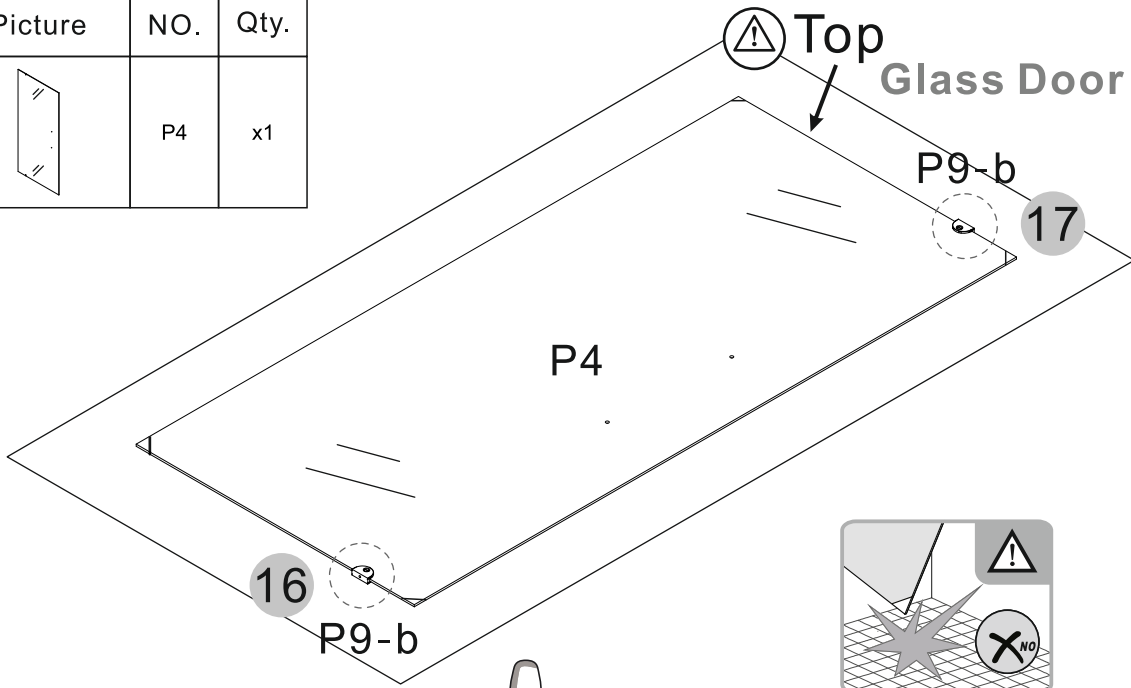
Picture	NO.	Qty.
	P9	x2


## Pivot Installation



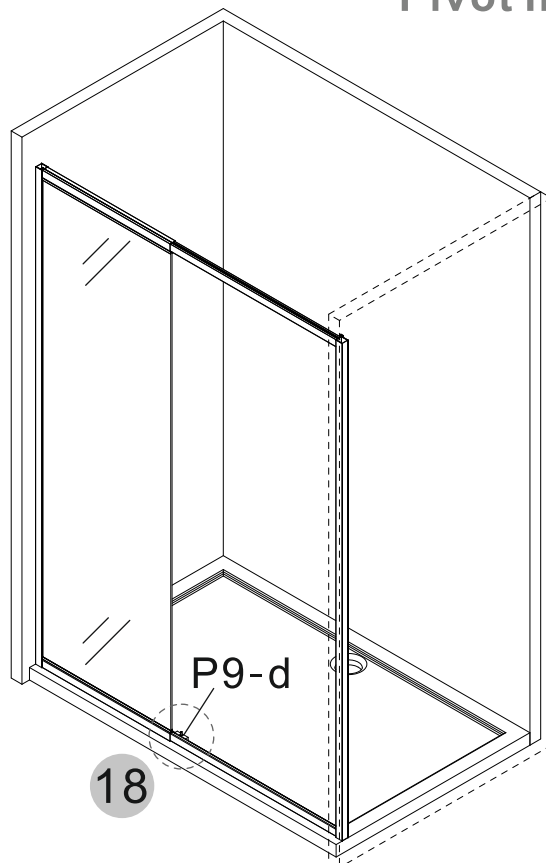
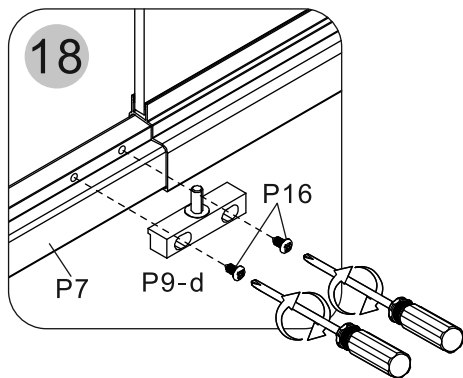
### Glass Door Installation

Picture	NO.	Qty.
	P4	x1




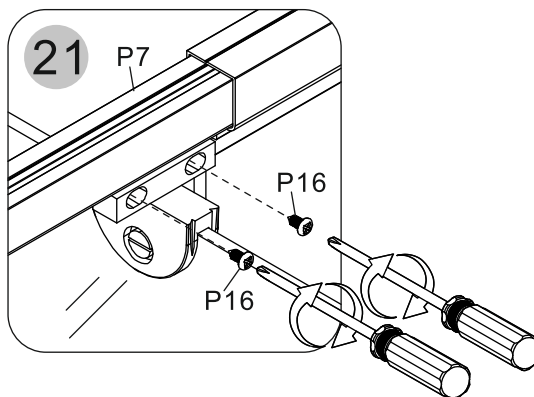
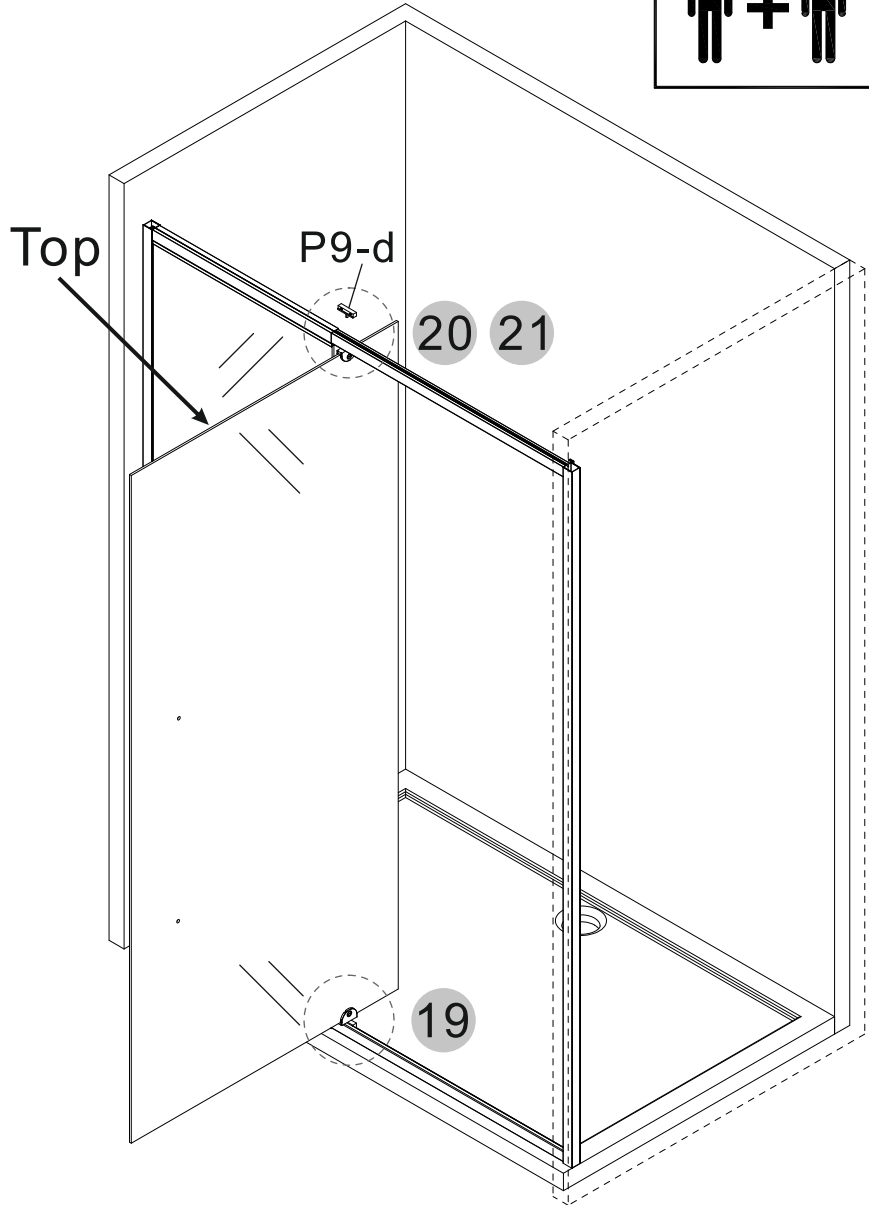
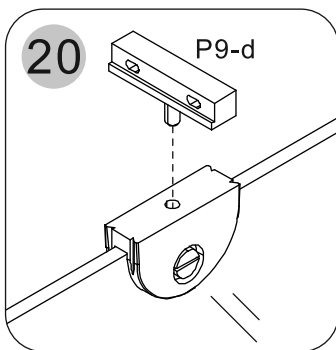
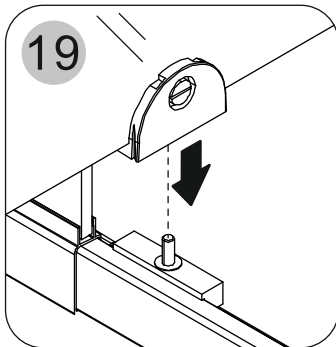
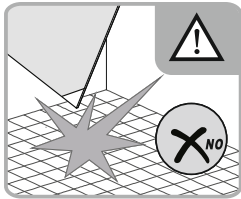
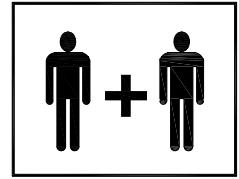
Picture	NO.	Qty.
 ST4X12	P16	x2

### Pivot Installation



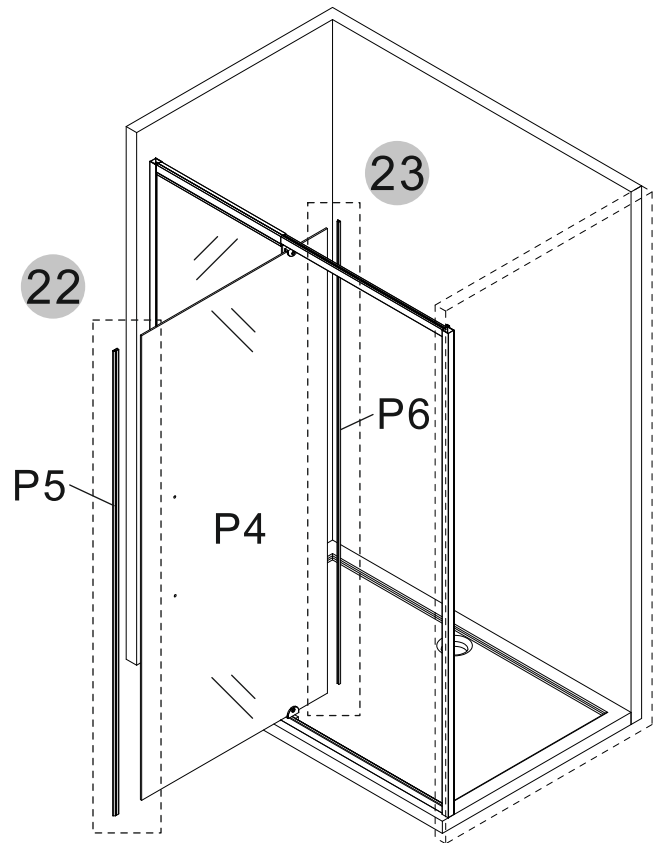
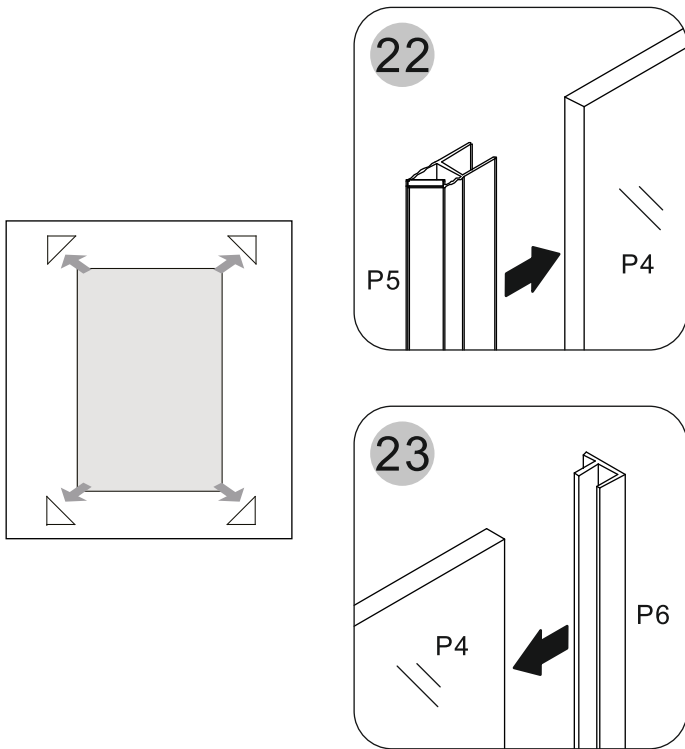
# Glass Door Installation

Picture	NO.	Qty.
 ST4X10	P16	x2



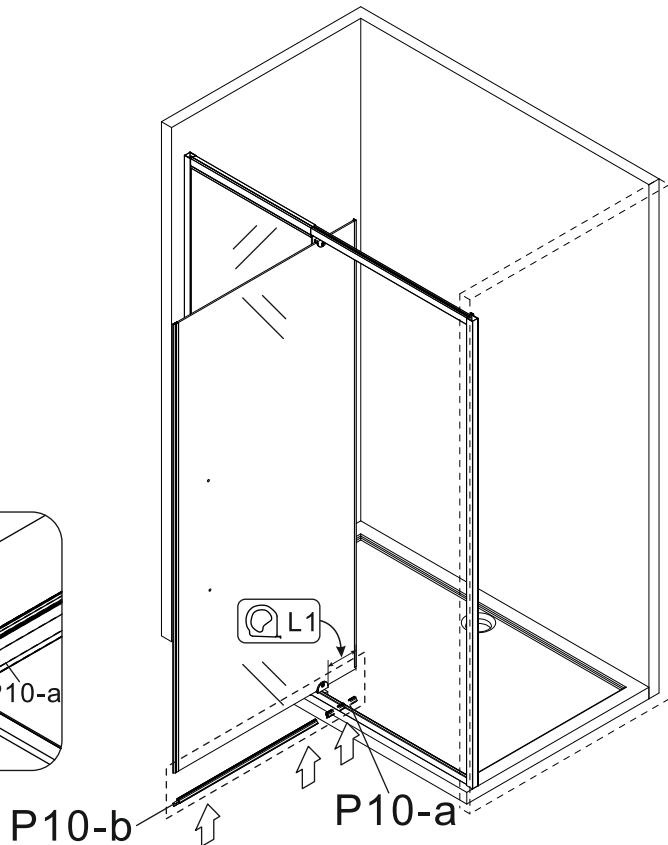
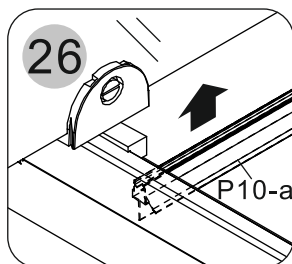
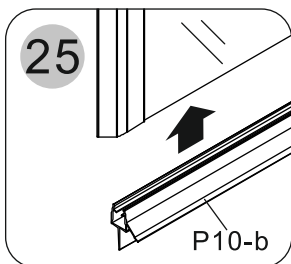
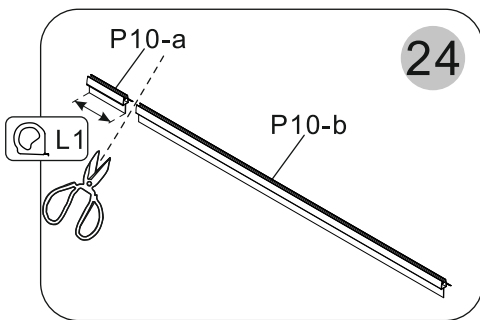
Picture	NO.	Qty.
	P5	x1
	P6	x1

### Anti-water Strip Installation

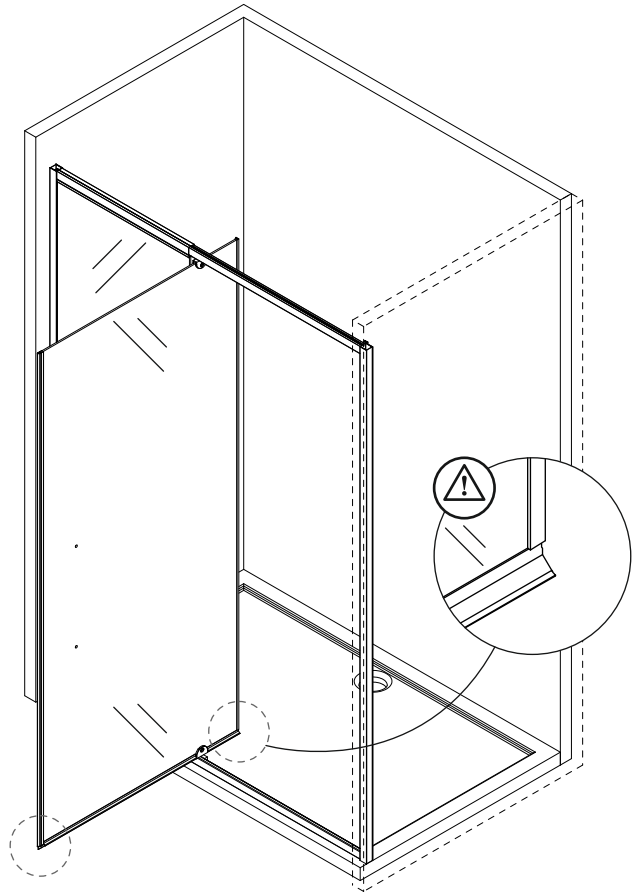
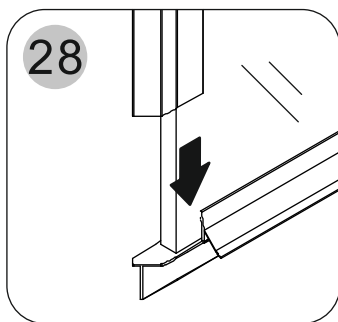
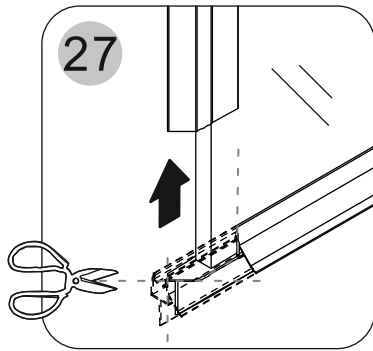


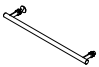
Picture	NO.	Qty.
	P10	x1

### Bottom Anti-water Strip Installation

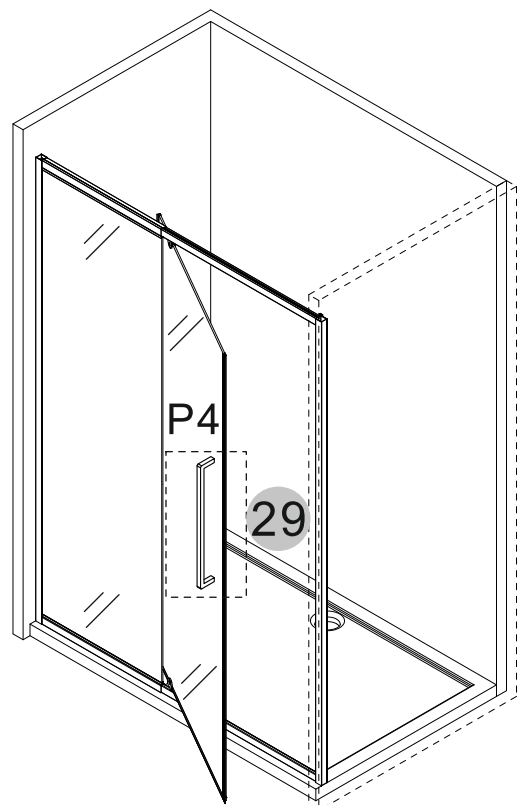
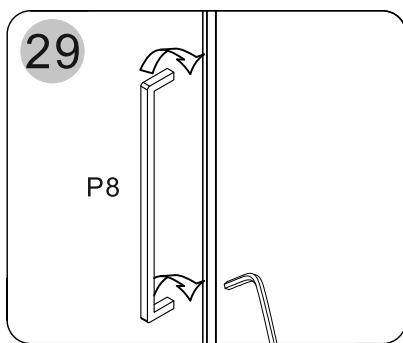



## Bottom Anti-water Strip Installation



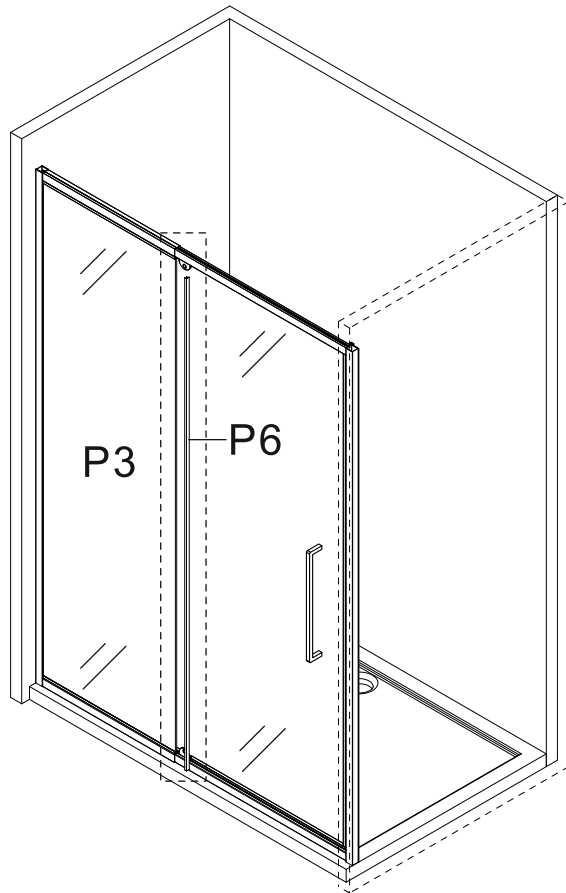
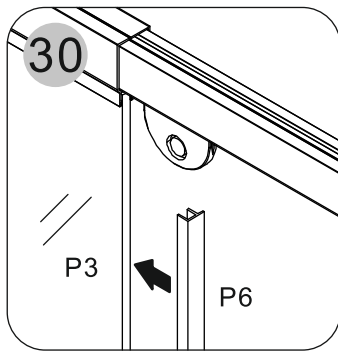
Picture	NO.	Qty.
	P8	x1



## Handle Installation



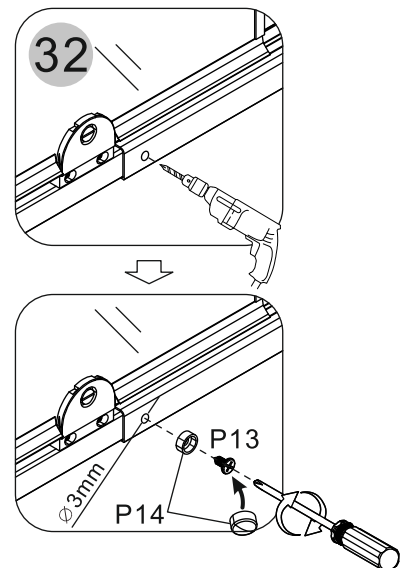
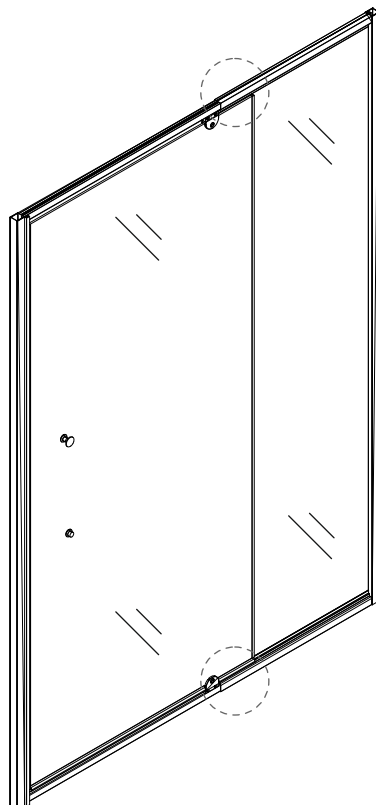
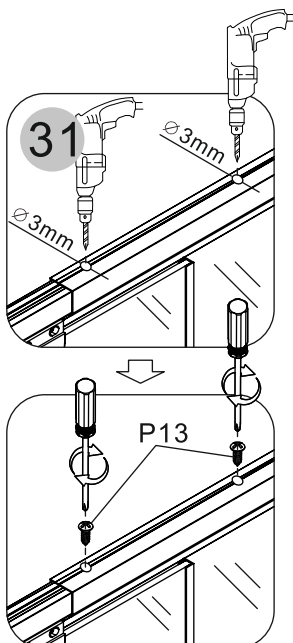
Picture	NO.	Qty.
	P6	x1

## Anti-water Strip Installation





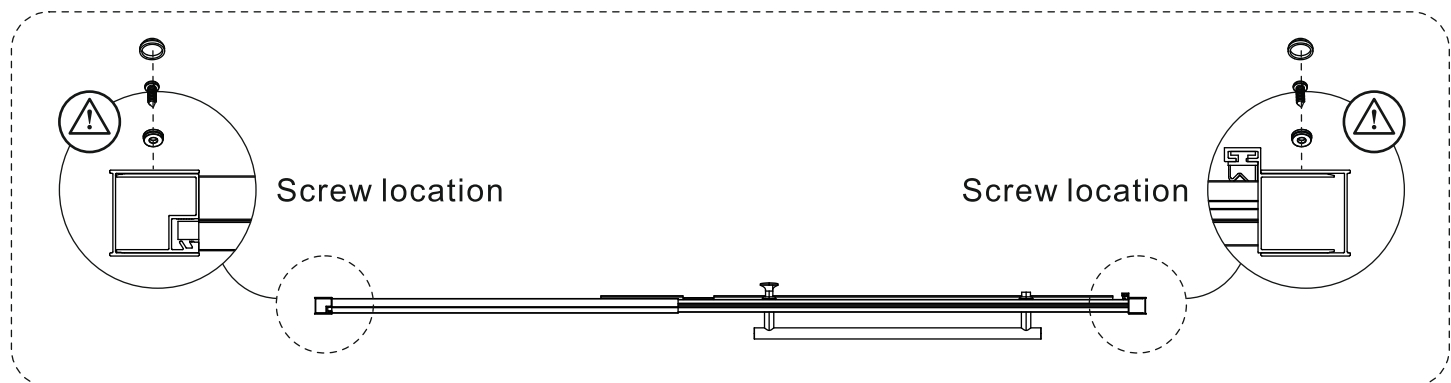
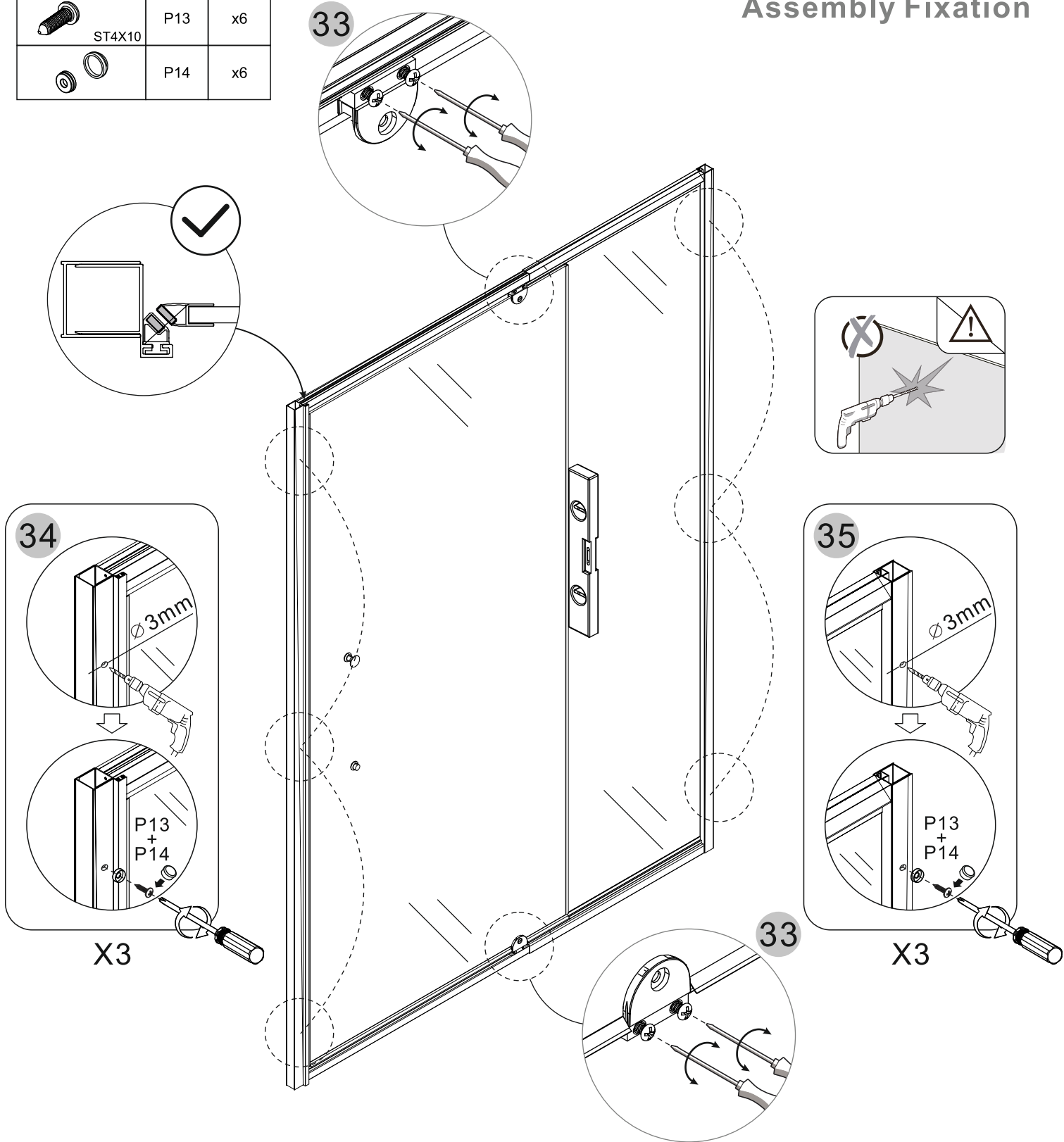
Picture	NO.	Qty.
 ST4X10	P13	x3
	P14	x1

## Top & Bottom Rails Fixation



# Assembly Fixation

Picture	NO.	Qty.
 ST4X10	P13	x6
	P14	x6



# Glass Door Installation

