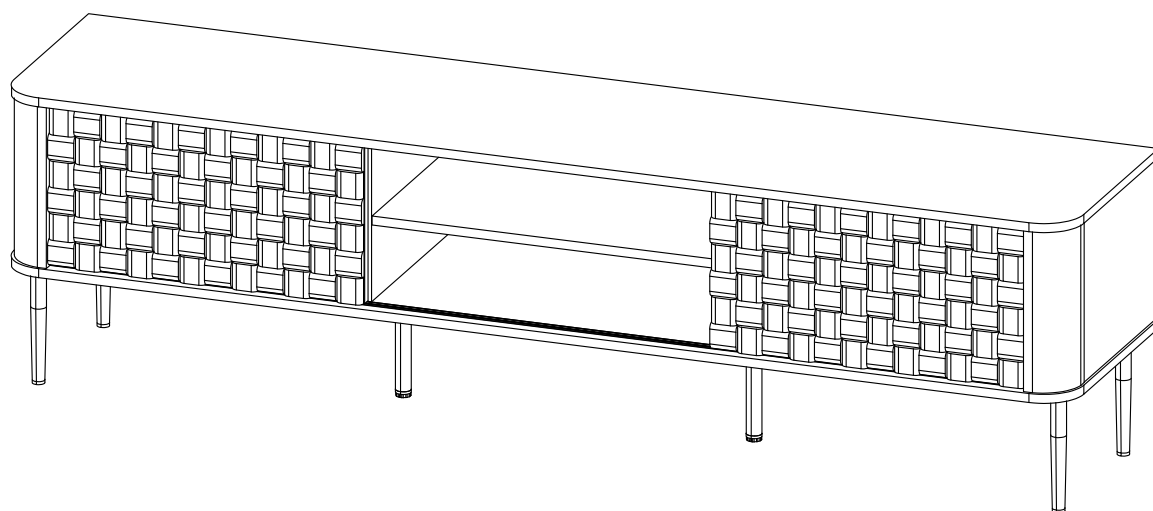


TV CONSOLE



ASSEMBLY INSTRUCTIONS



90 min. assembly
2 person

*The estimated assembly time may vary depending on the individual.

Hey, there

Now is assembly time!

Deeeeep breathe.... and again....
Tools ready,
Easy peasy!

Estimated



60 min. assembly
2 person

Tools Required

- Phillips screwdriver (not included)
- Power Drill (not included)

important: *Cautious when you use power tools*

Thank you for purchasing this product.

This product has been manufactured with the highest standards of safety and quality.

PLEASE READ ALL INSTRUCTIONS CAREFULLY BEFORE ASSEMBLY.

Un pack all parts from the packaging inside the carton to ensure there are no missing or damaged parts. Lay out all the parts on a clean, flat, and soft surface to prevent scratches. Refer to the steps provided as assembling guide.

Do not attempt to assemble or use the product if any parts are missing or damaged.

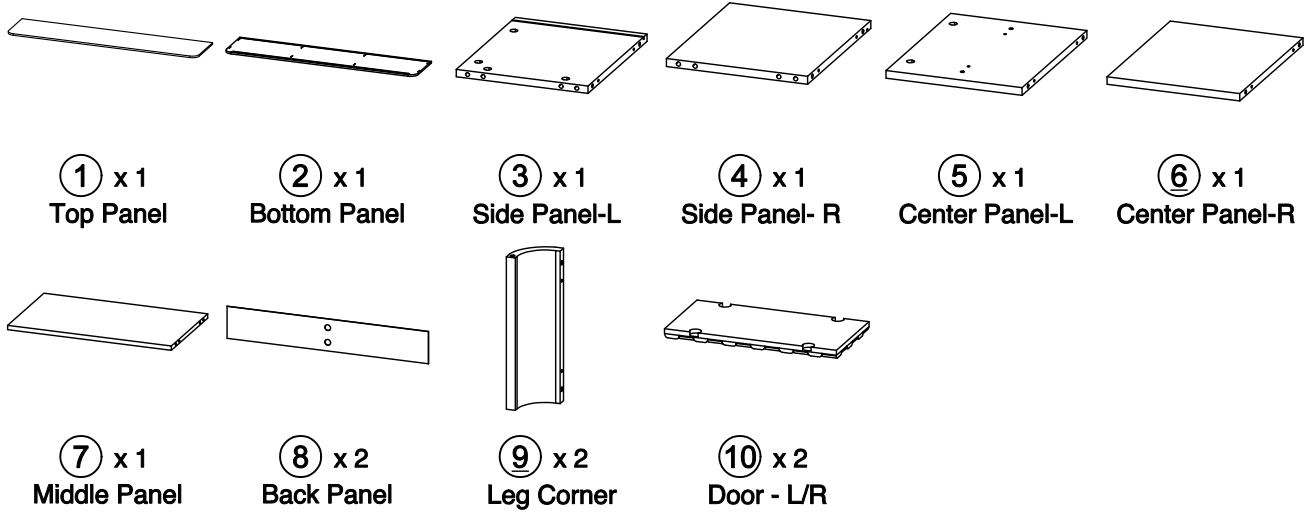
REMINDERS

SAFE USAGE IS KEY

Your well-being is our top priority when you use our product. Please prioritize your safety by diligently following the assembly guidelines and inspecting the product carefully both when it arrives and before each use.

What's in the box

Parts

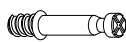


What's in the box

Hardware & accessory



A1

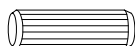


A2



A3

A x 16 SETS + 2



B x 28 + 2
M8 x 30mm



C x 8 + 2
M6 x 50MM



D x 1



E x 16 + 2
M3 x 12mm



F x 28 + 2
M3.5 x 16mm



G1



G2

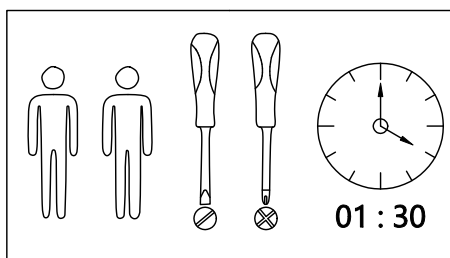
G x 4 SETS



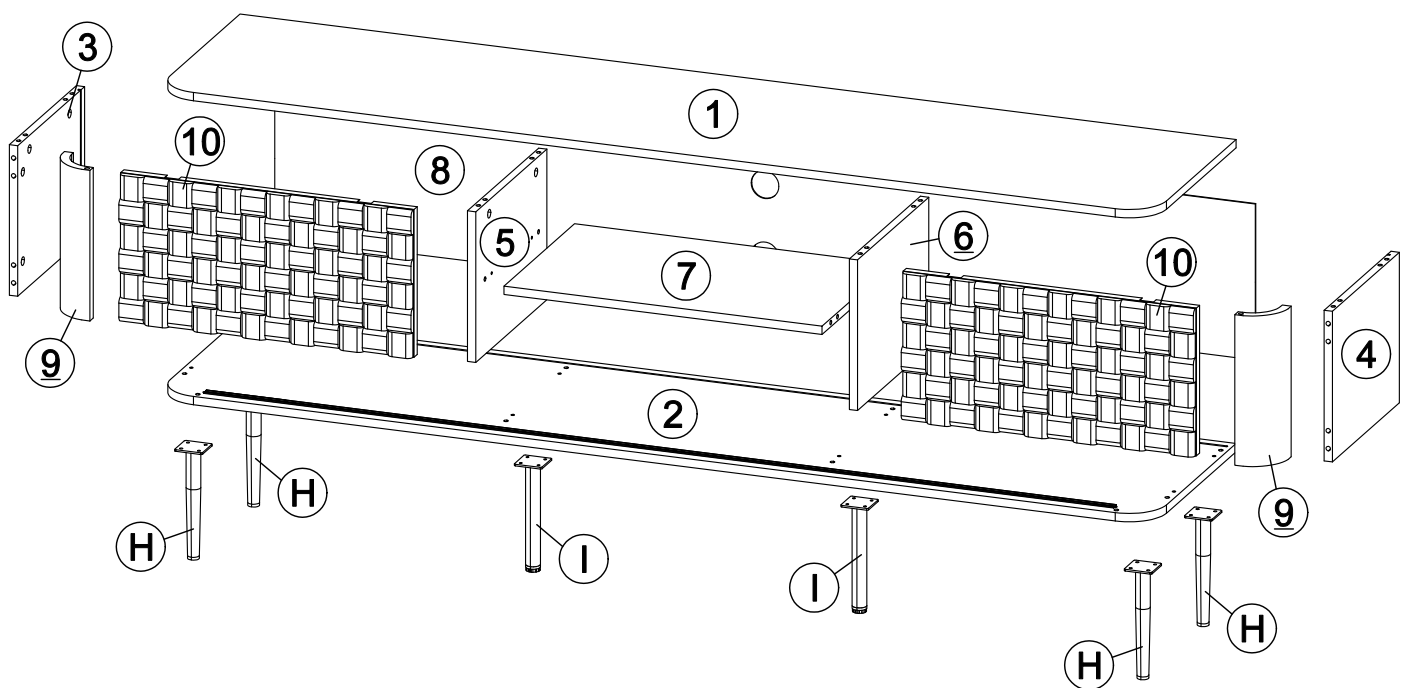
H x 4



I x 2

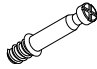
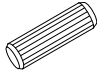


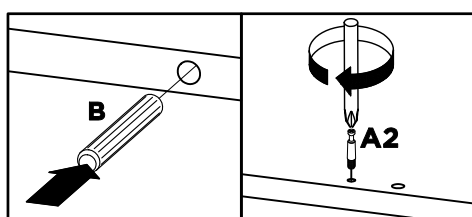
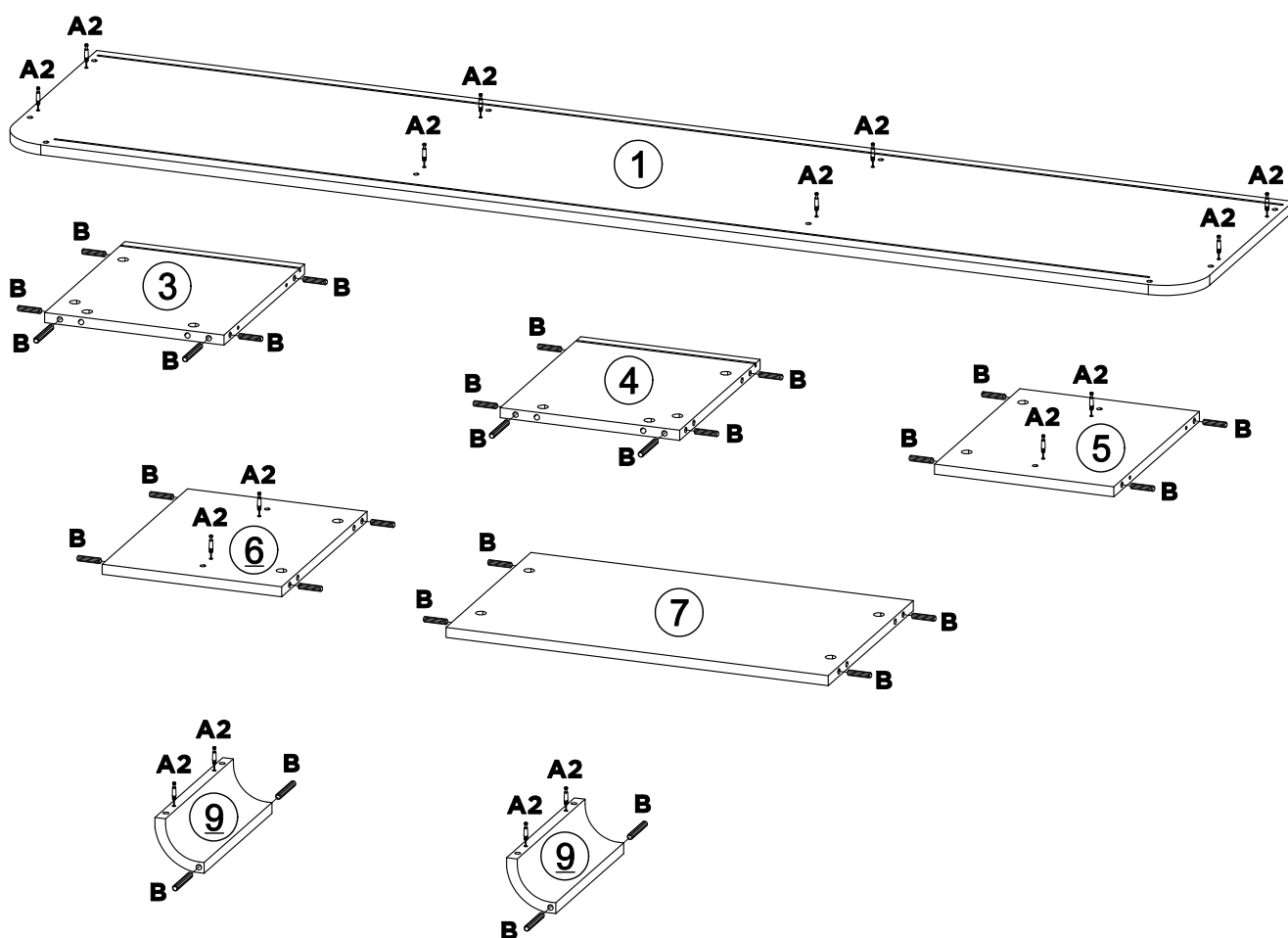
Assembly



Step 1



- Insert hardware A2 onto panel (1), (5) (6) and (9).
(Repeat 16 times.)
- Insert hardware B to panels (3), (4),(5), (6), (7) and (9).
(Repeat 28 times.)

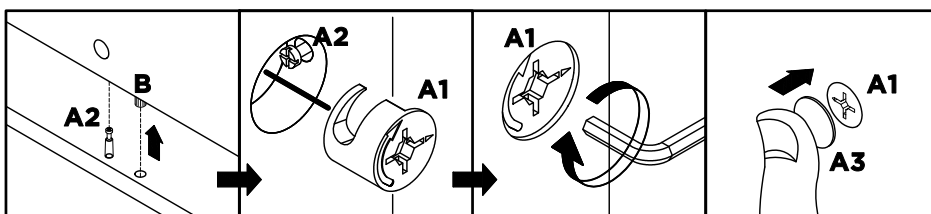
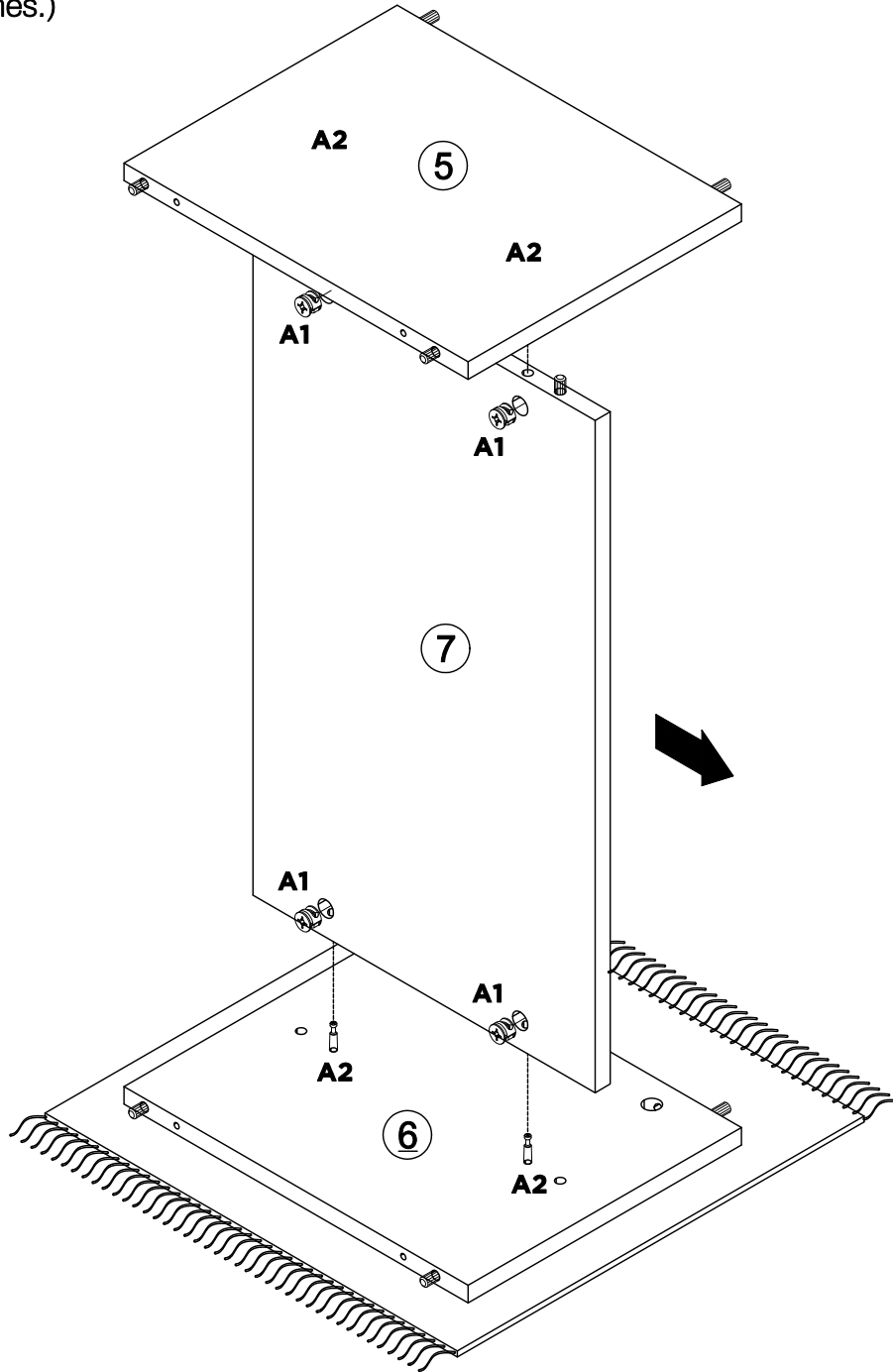
A2 x 16	B x 28
	
	M8 x 30mm



Step 2



- Attach panel (5) and (6) to panel (7).
- Insert all hardware A2 into A1.
- Rotate all A1 until tight.
- Apply A3 onto all A1.
- (Repeat 4 times.)

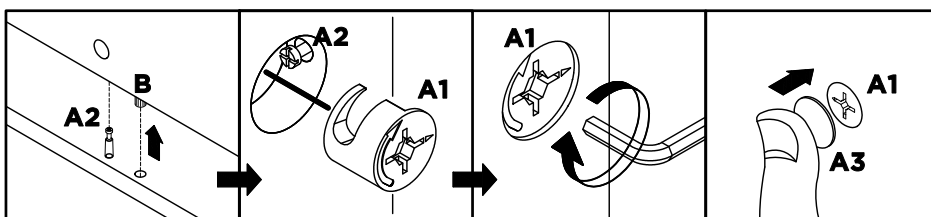
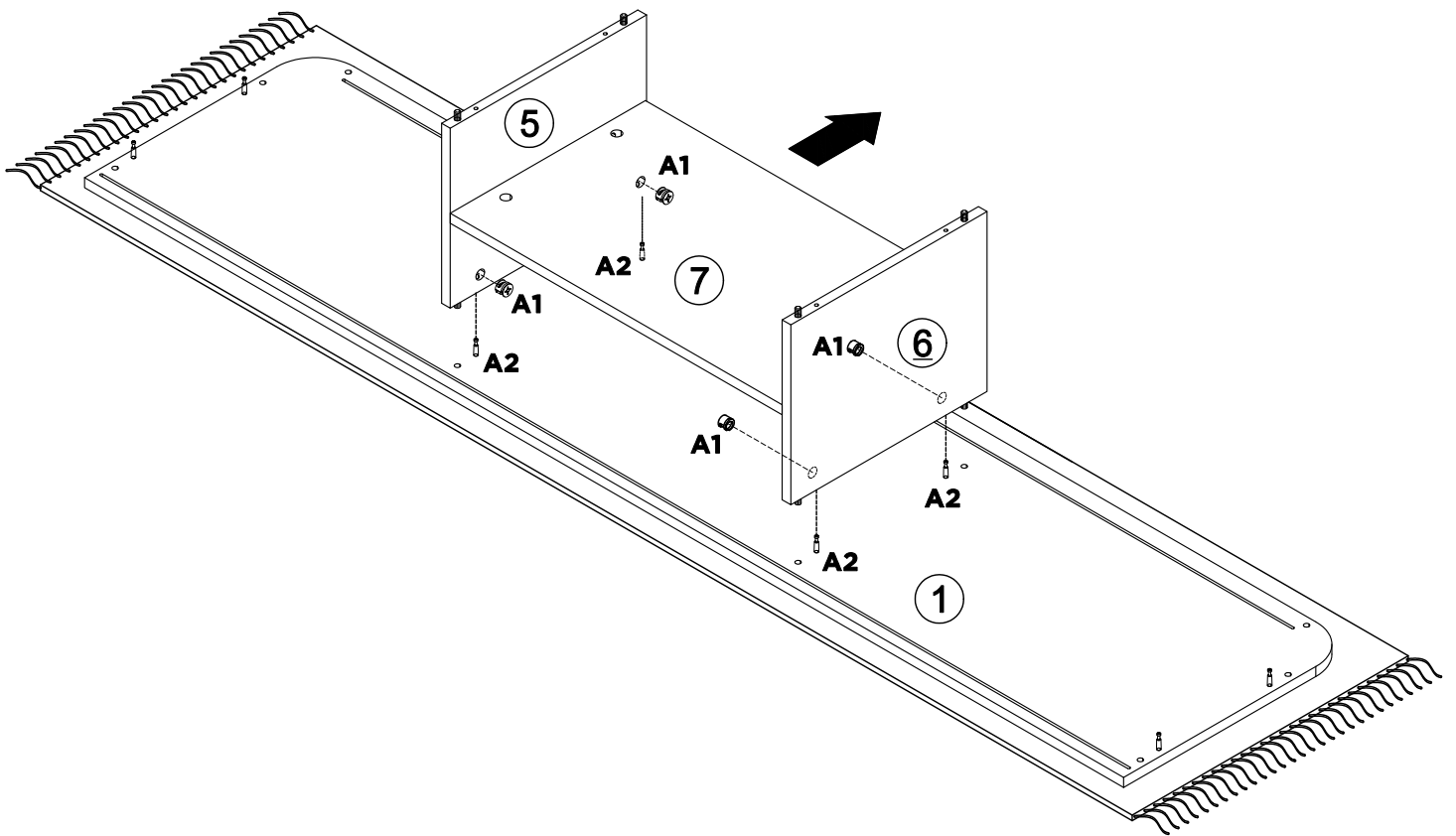
A1 x 4	A3 x 4
	



Step 3



- Attach panel (5) and (6) to panel (1).
- Insert all hardware A2 into A1.
- Rotate all A1 until tight.
- Apply A3 onto all A1.
- (Repeat 4 times.)

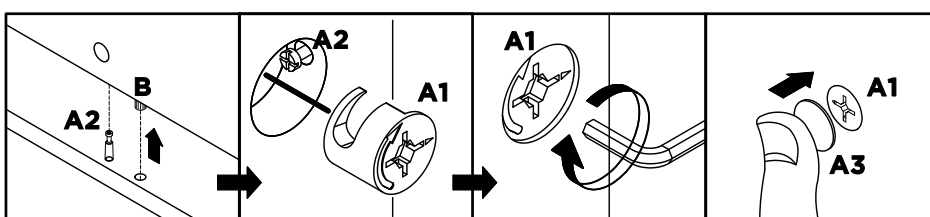
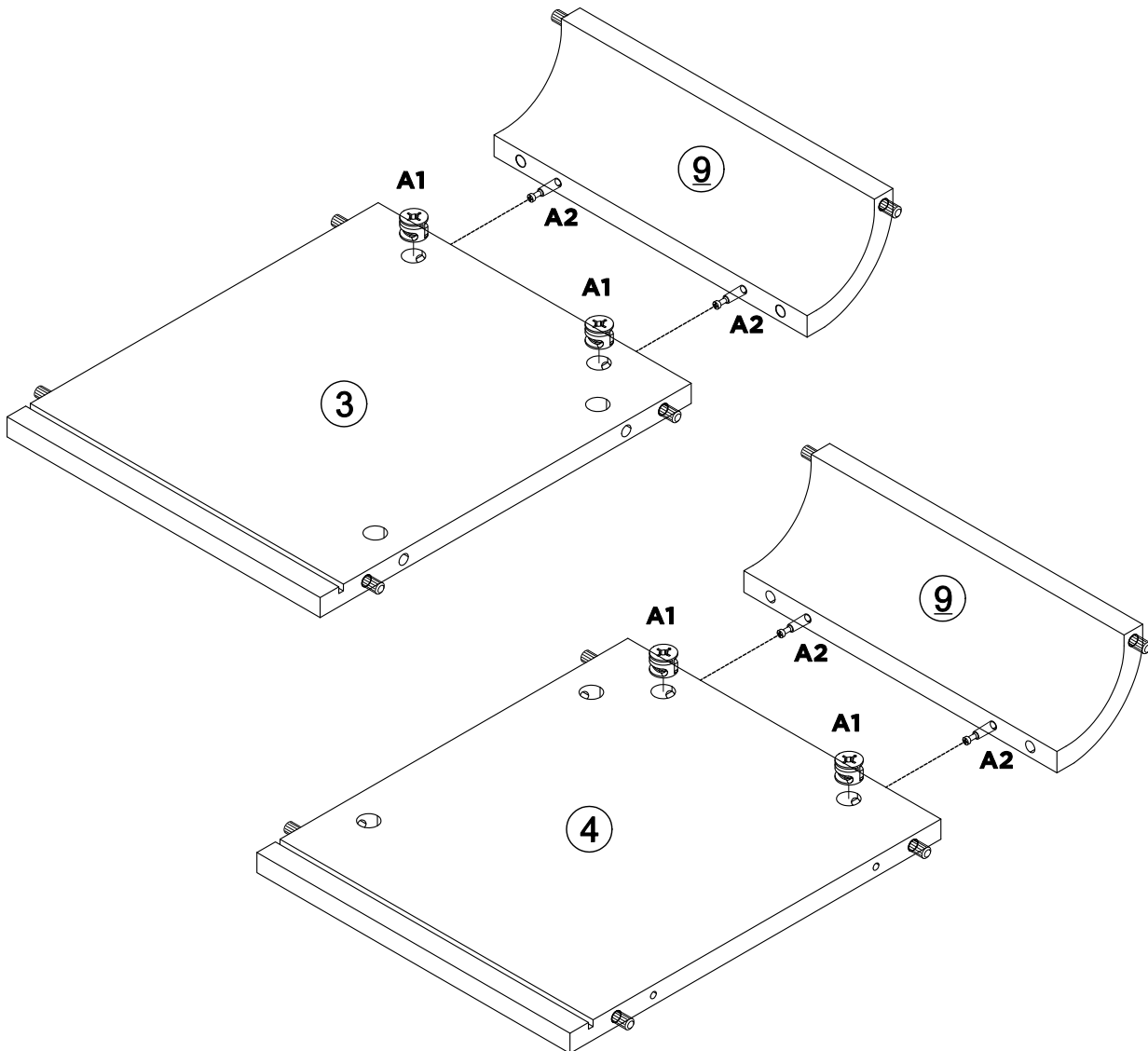
A1 x 4	A3 x 4
	



Step 4



- Attach panel (3) and (4) to panel (9).
- Insert all hardware A2 into A1.
- Rotate all A1 until tight.
- Apply A3 onto all A1.
- (Repeat 4 times.)

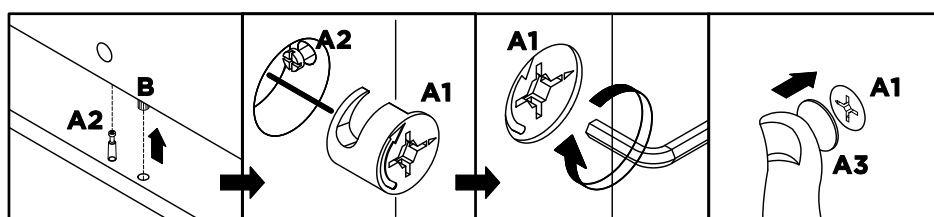
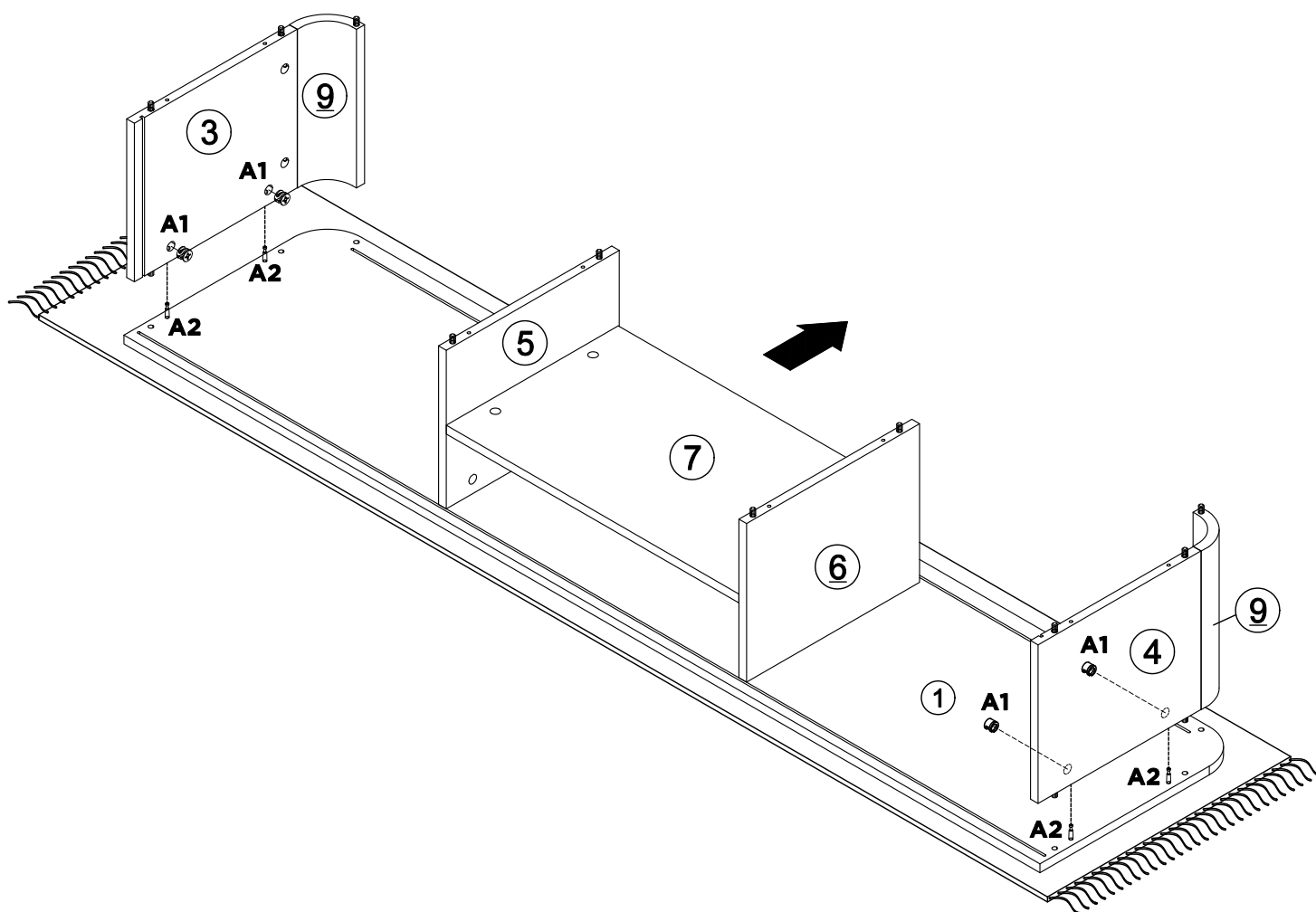
A1 x 4	A3 x 4
	



Step 5

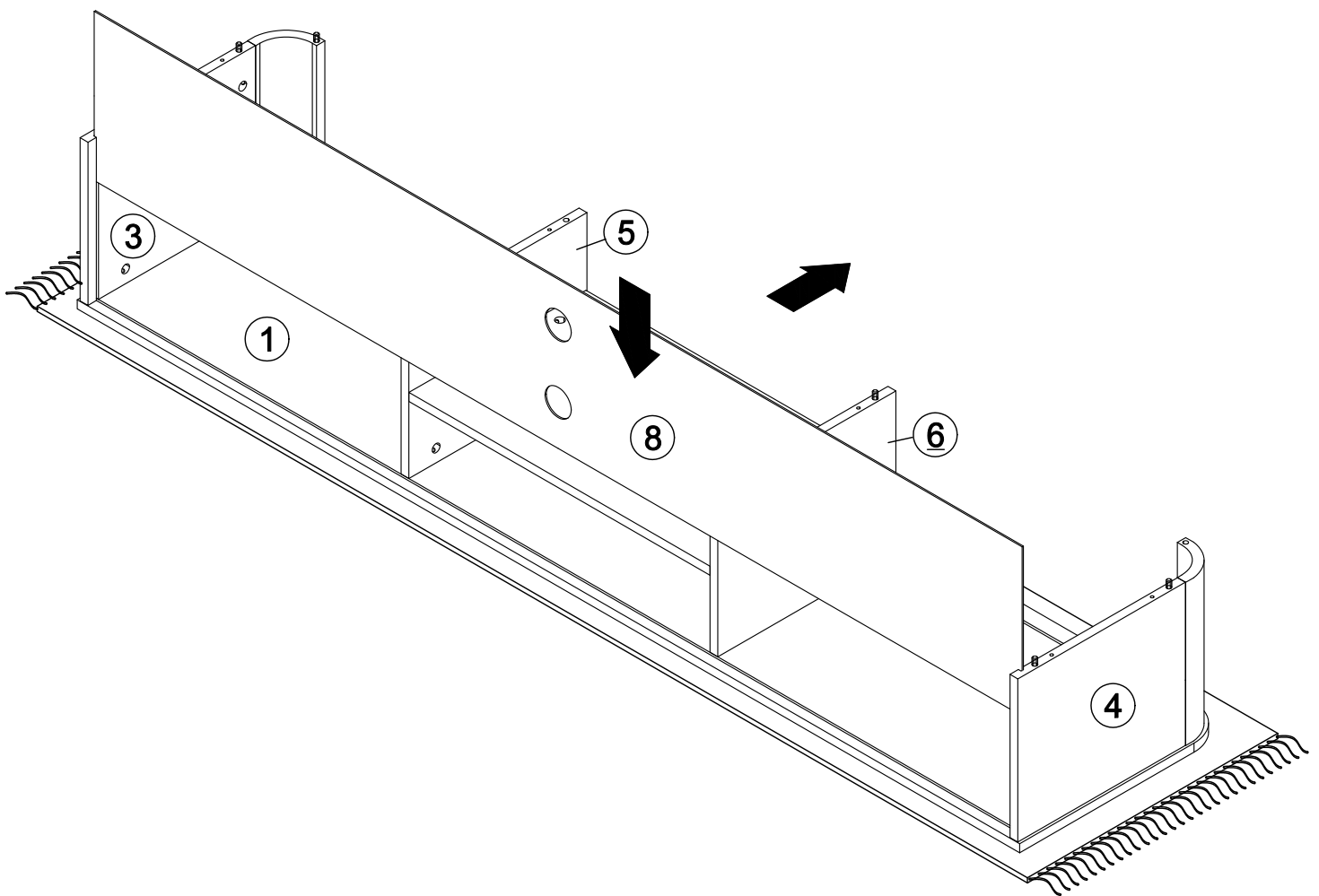
- Attach panel (3) and (4) to panel (1).
- Insert all hardware A2 into A1.
- Rotate all A1 until tight.
- Apply A3 onto all A1.
- (Repeat 4 times.)

A1 x 4	A3 x 4
	



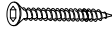

Step 6

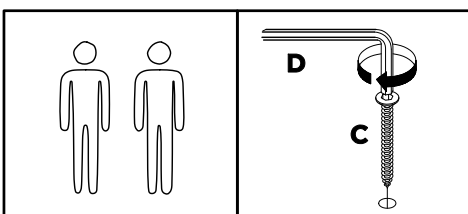
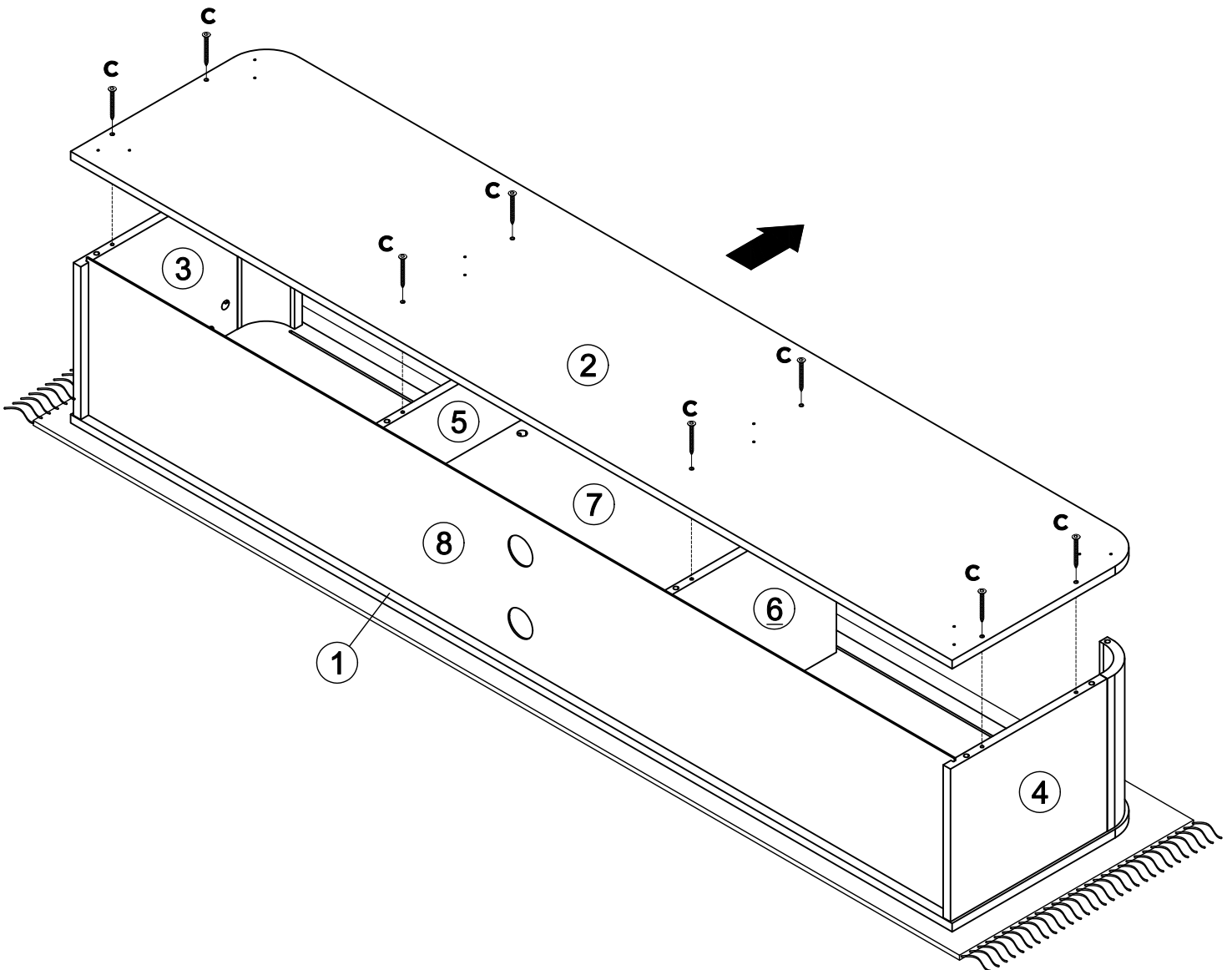
-Assemble panel (8) into between panel (3) and (4).



Step 7




-Connect panel (2) to panel (3), (4), (5) and (6) by using hardware C and D.
(Repeat 8 times.)

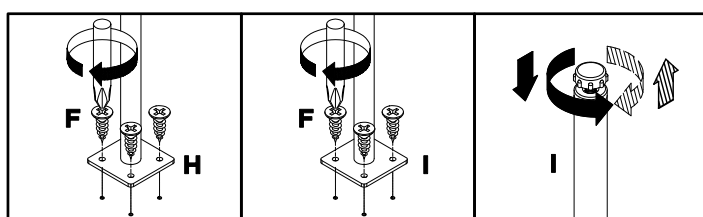
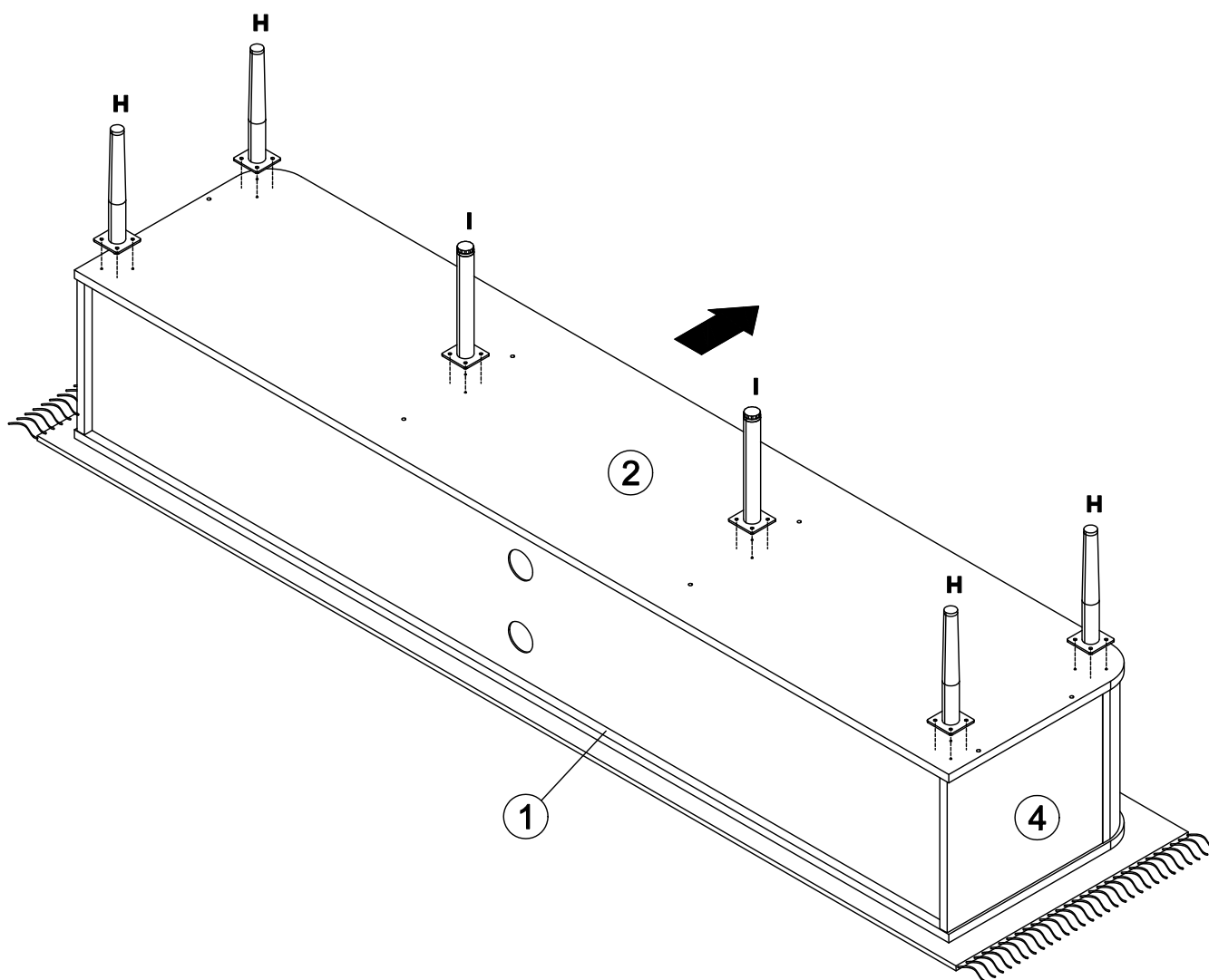
C x 8	D x 1
	
M6 x 50mm	



Step 8


- Fix hardware H to panel (2) by using hardware F.
- Fix hardware I to panel (2) by using hardware F.
- (Repeat 4 times for each hardware.)

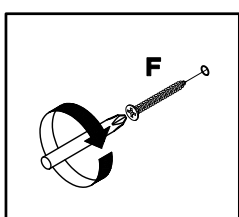
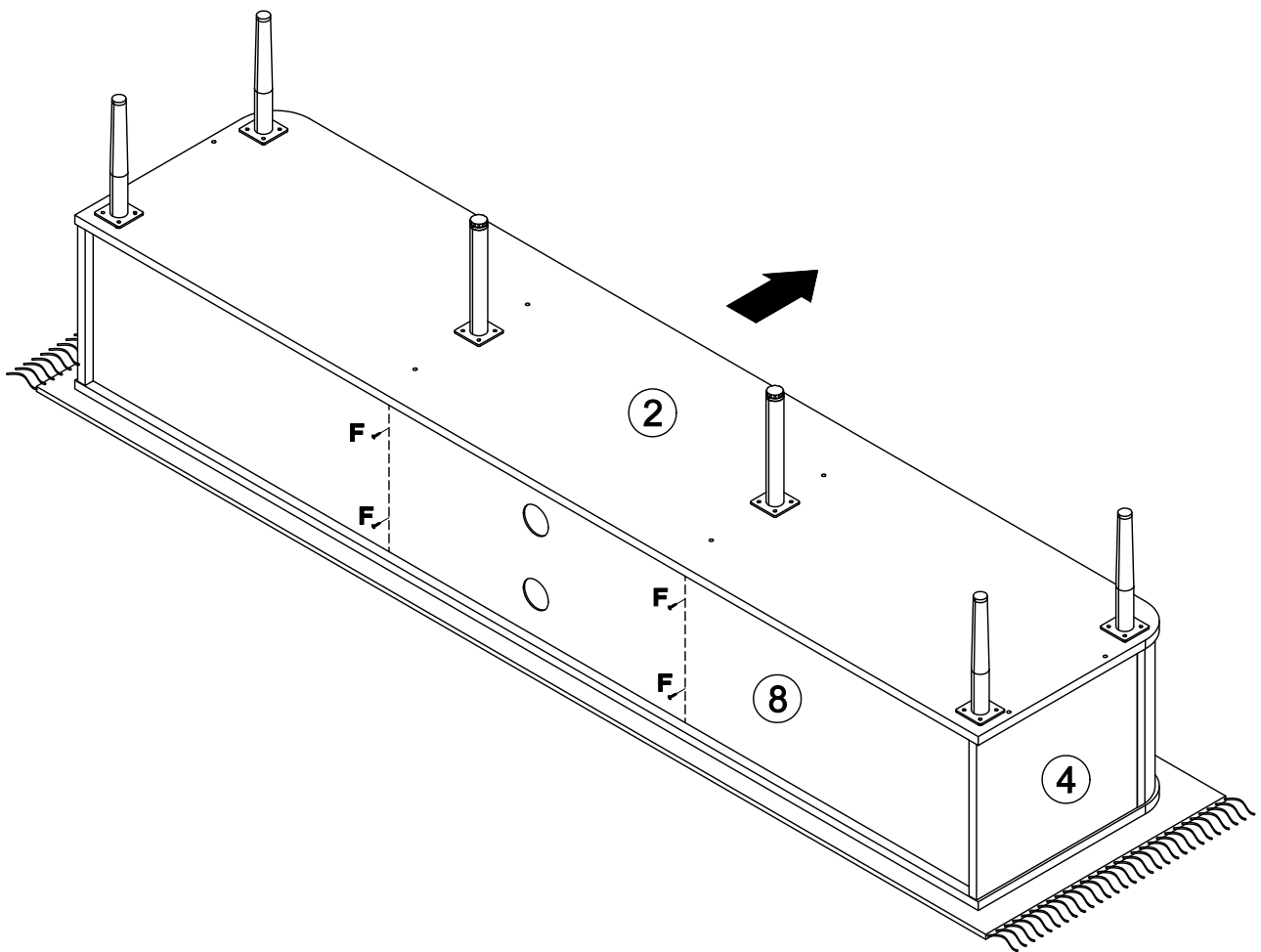
H x 4	I x 2	F x 24
		 <p>M3.5 x 16mm</p>



Step 9

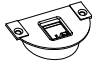

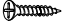
-Fix hardware F to panel (8).
(Repeat 4 times.)

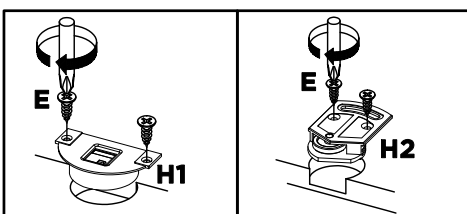
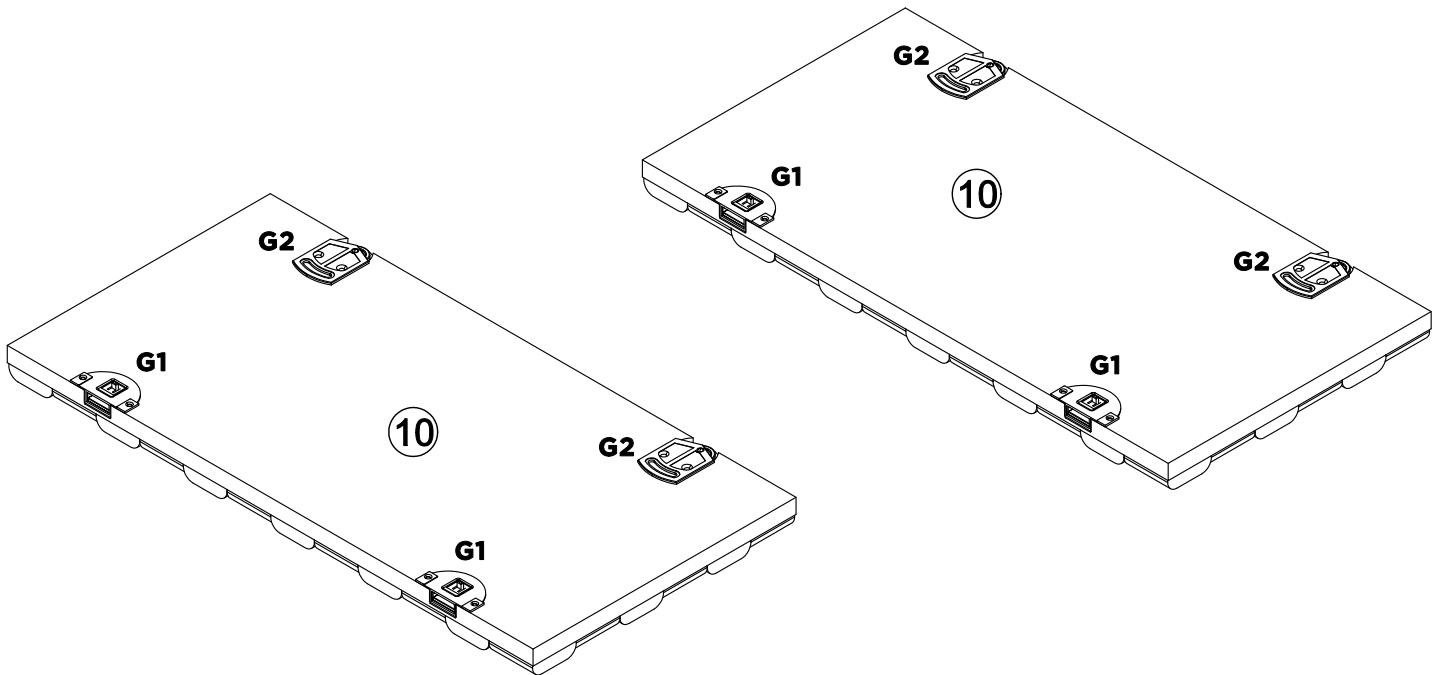
F x 4

M3.5 x 16mm



Step 10



-Assemble hardware G to panel (10) by using hardware E.
(Repeat 2 times for each hardware.)

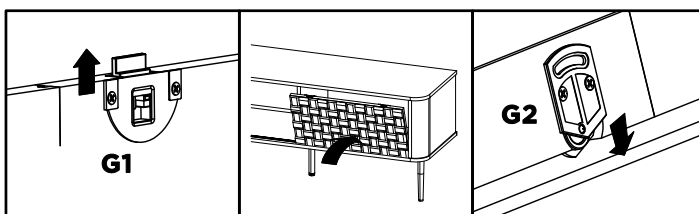
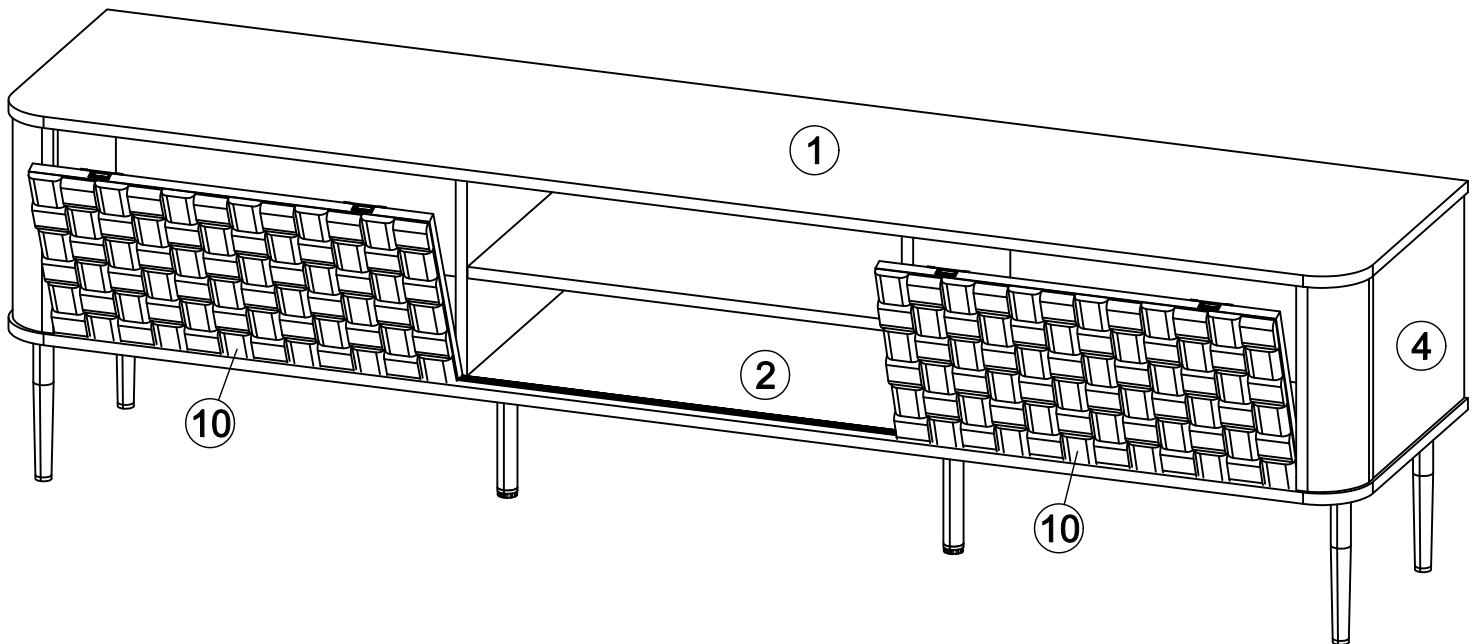
G1 x 4	G2 x 4	E x 16
		 M3 x 12mm



Step 11

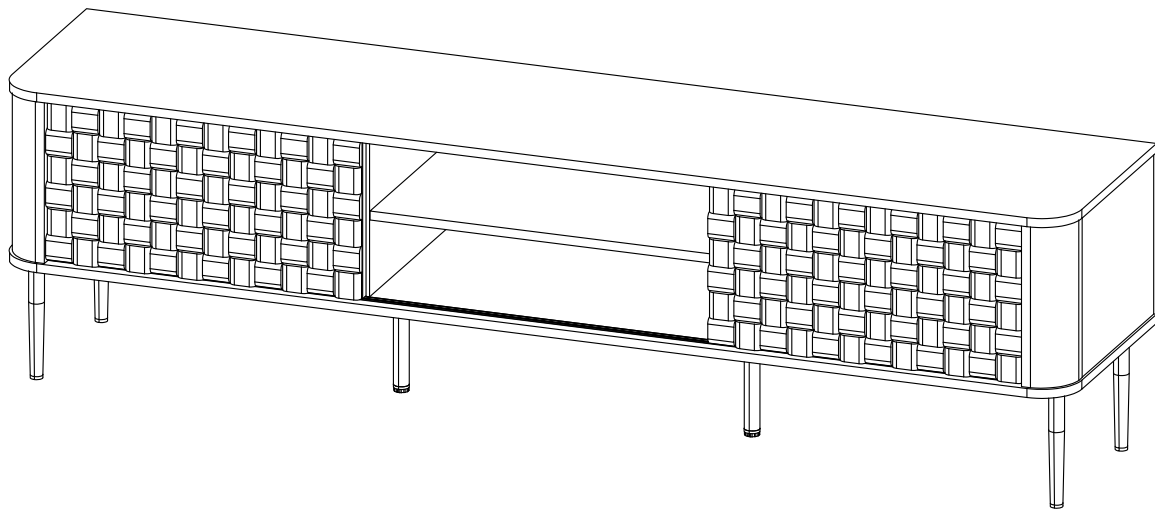
-Put panel (10) in place.

G1 x 4	G2 x 4
	



VOILA!

Now enjoy.



Warning

DO NOT sit or stand on the product as this may damage the product and cause serious bodily injury.

Something not right?

We are always here to help.

We make mistakes like every human does.

Though we always strive to provide the best possible products at competitive prices and the best service in the industry, it's not possible to completely eliminate mistakes. If you experience any dissatisfaction, feel free to contact us immediately. Our in-house customer care team will respond ASAP.

Things to do to expedite the process

- Have your order# ready
- Take photos/videos to help us better identify the issues
- DO NOT throw away the packaging