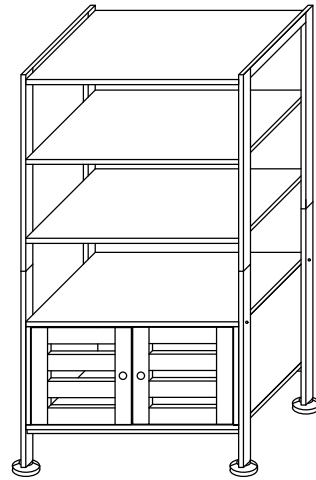
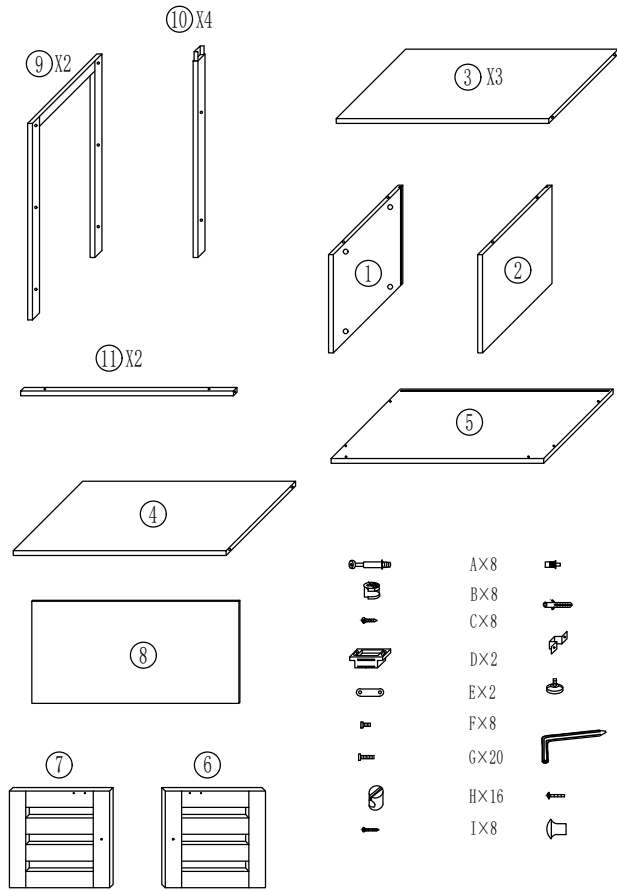
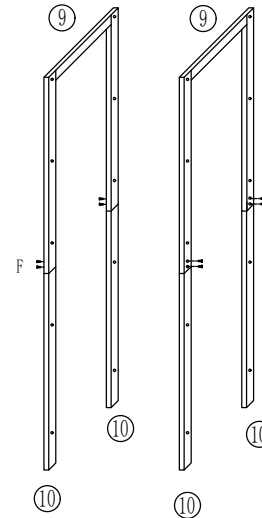


# Instruction Manual

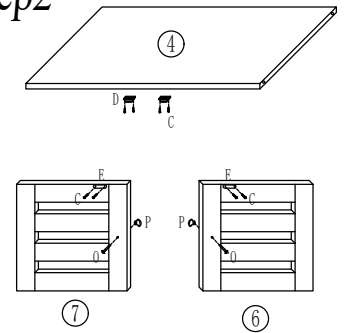
## Part List



## Step1



## Step2



## Step3

