

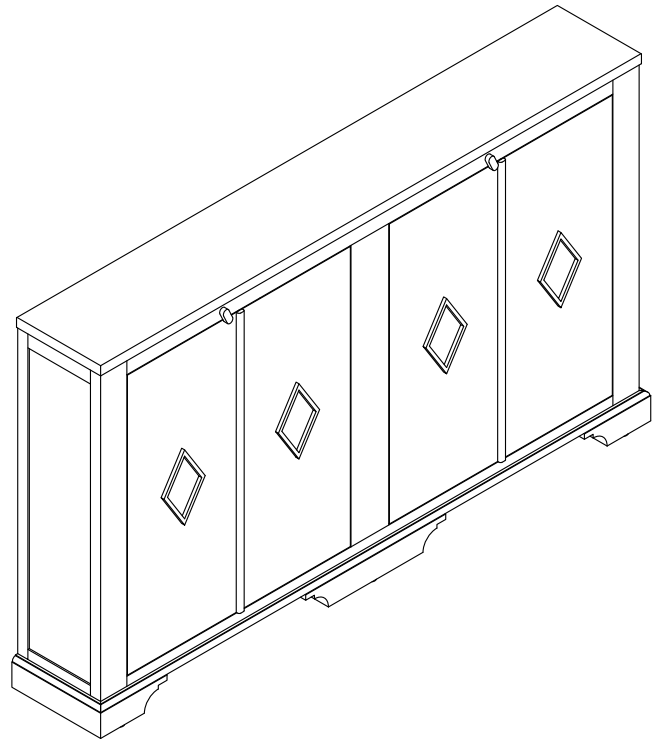
# THE RIVER MOONSHINE CABINET

## ASSEMBLY INSTRUCTIONS

\* **REMARK:** There is a tip restraint kit provided on the back of this product please read the direction thoroughly and install immediately

### HARDWARE LIST

1		[1] Anti-tip Kit Set
---	---	----------------------



### STEP: 1

#### ADJUST FLOOR LEVELERS

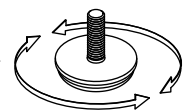
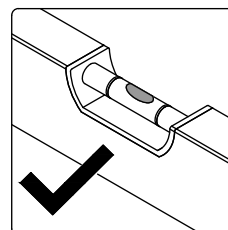
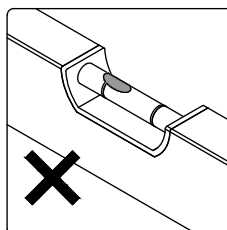
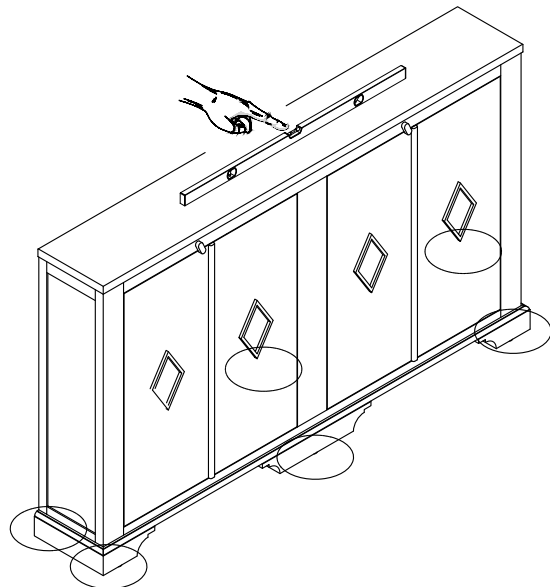
Your furniture has been expertly crafted and pre-adjusted by professionals. However, slight shifts can occur during transportation. If you notice that the doors are not perfectly aligned or the furniture wobbles, a quick adjustment can help ensure stability and a seamless look.

#### ADJUST FLOOR LEVELERS

**Check for Stability** – Place the furniture in its final position on a level surface. If it wobbles or doesn't sit evenly, the floor levelers need adjusting.

**Locate the Levelers** – These are small adjustable feet found at the bottom corners of your furniture.

**Adjust as Needed** – Using your hand or a wrench, turn the levelers clockwise to raise or counterclockwise to lower the furniture. Make small adjustments and check stability after each turn.

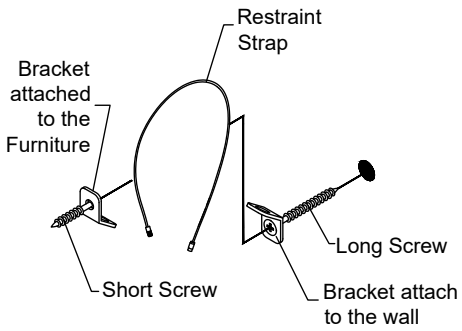
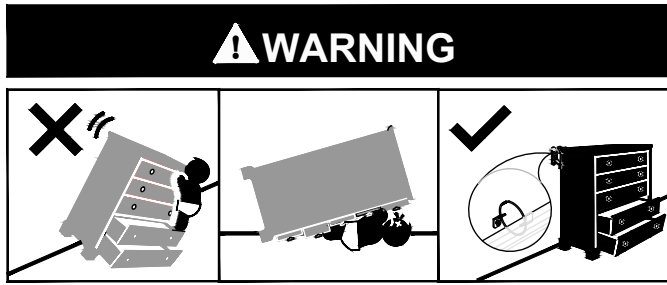


ADJUST THE LEVELERS  
IF NEEDED

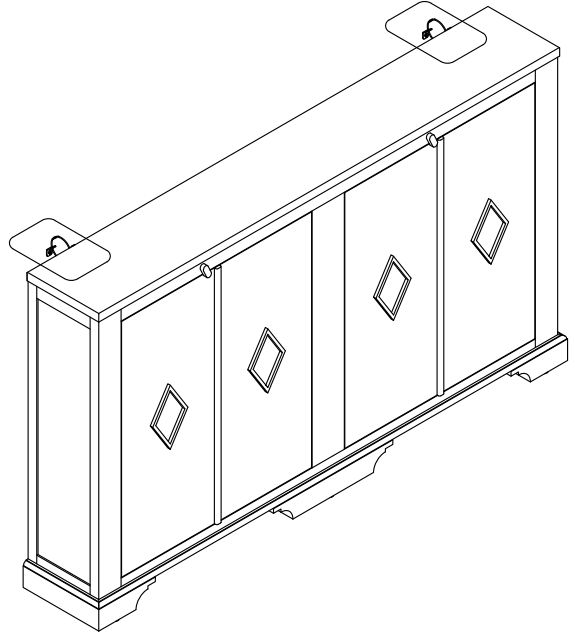
# THE RIVER MOONSHINE CABINET

## ASSEMBLY INSTRUCTIONS

### STEP: 2



**NOTE:**  
Refer the instructions on the anti-tip kit bag.



### STEP: 3

