

OWNER'S MANUAL

Swivel Nursery Rocker Recliner



MODEL: C501

1. ASSEMBLE GUIDE

Thank you very much for choosing our product!

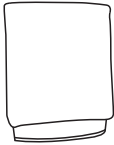
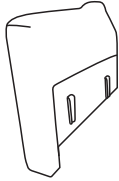
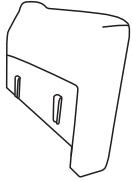
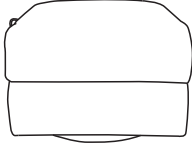



Please take the time to read these instructions carefully and follow each step carefully for safe and easy operation. Please keep this manual in a safe place for future reference, especially for safety information.

For ease of installation, it is best for you to assemble the chair with two people.

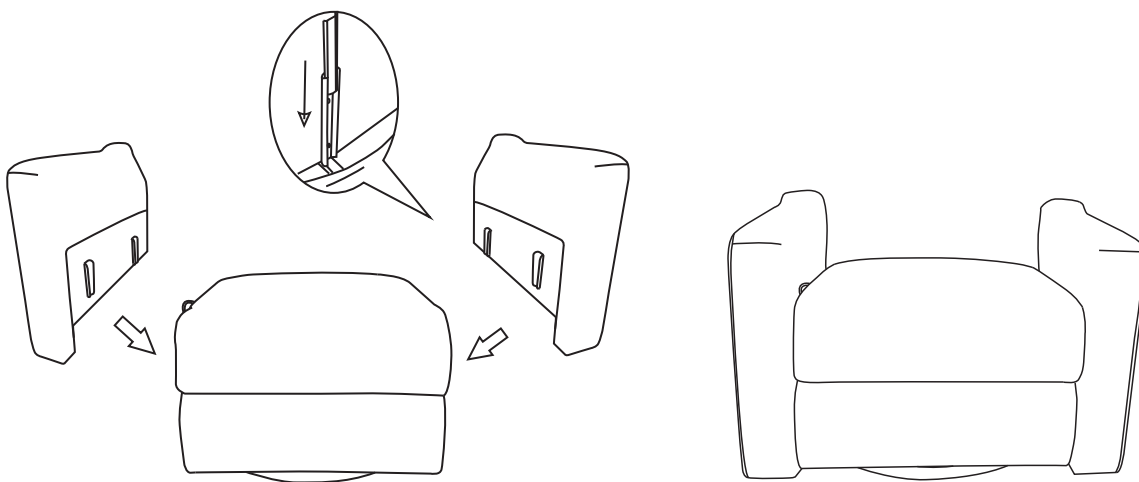
Please read and understand this manual before assembly. Before you start assembling the product, please make sure that all parts are complete.

Should any parts be missing, damaged or if you have any queries, please do not hesitate to contact us.

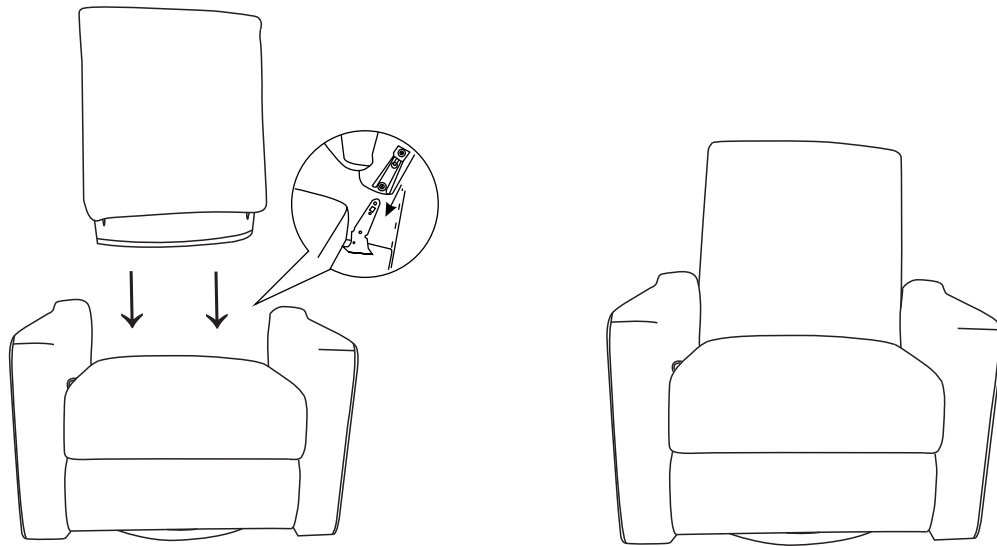
2. PARTS LIST

BOX 1				
Part	A	B	C	
Description				
Qty	1PC	1PC	1PC	
BOX 2				
Part	D	E	F	G
Description				
Qty	1PC	1PC	1PC	1PC

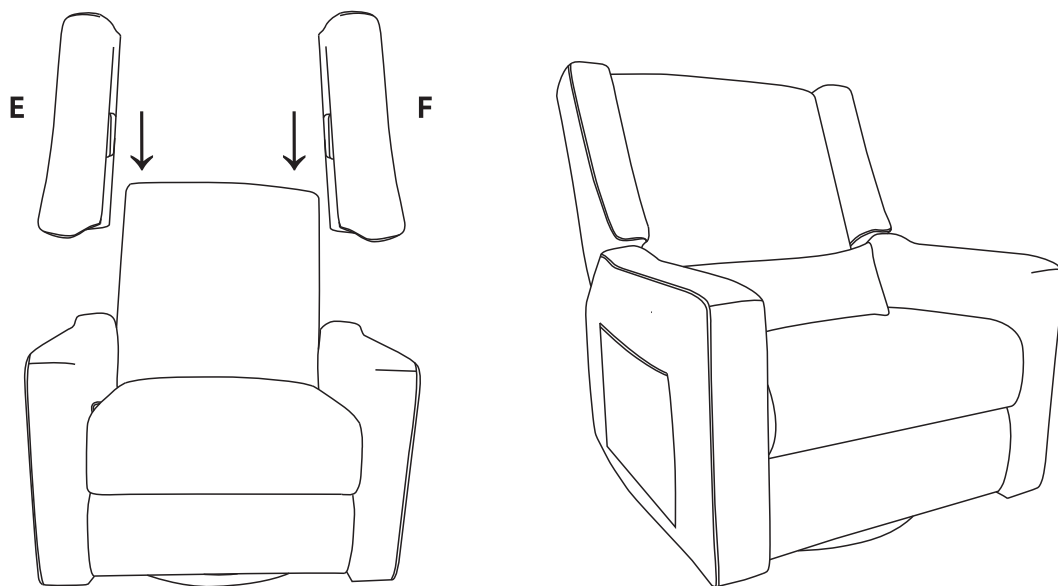
3. ASSEMBLY STEPS



Step 1: Align the two side slots and install the Armrest.

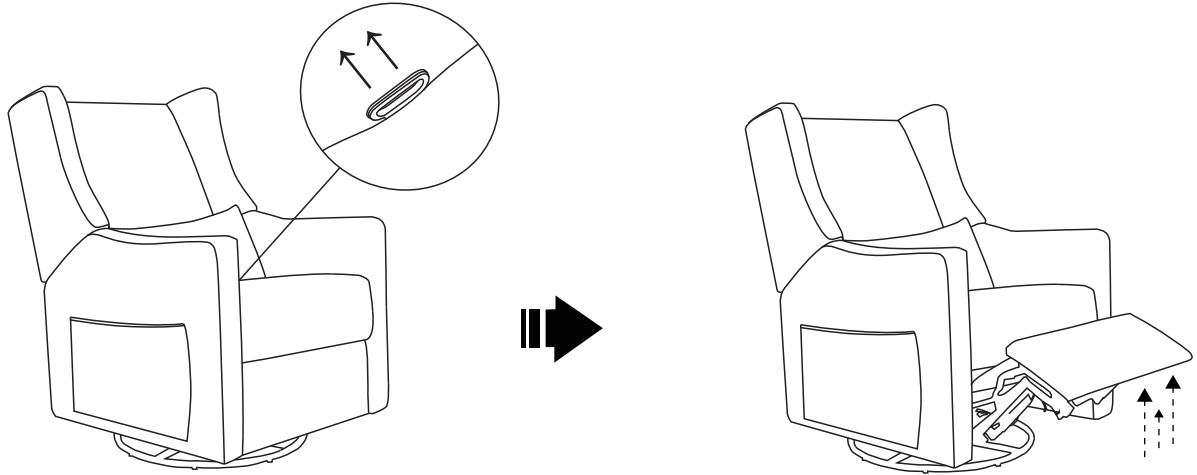


Step2: Align the back to the seat base through the slots , then press down the backrest until hear a "click", and ensure that the backrest is stable and will not be pulled out.

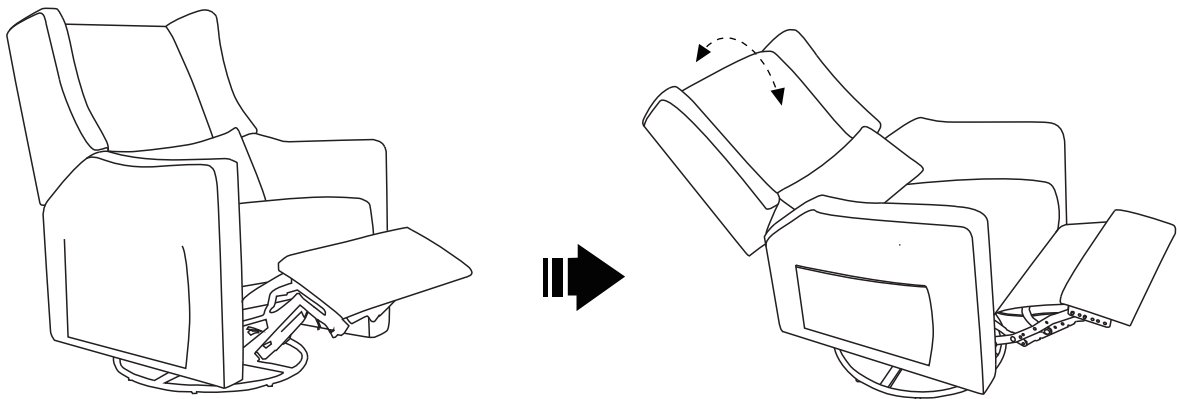


Step3: Align parts E and F with the slots on both sides of the backrest, then press down until you hear a "click". After this, ensure that parts E and F do not move and will not be pulled out.

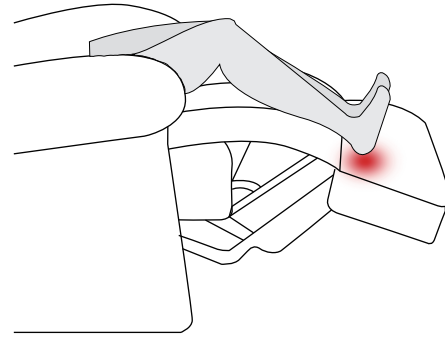
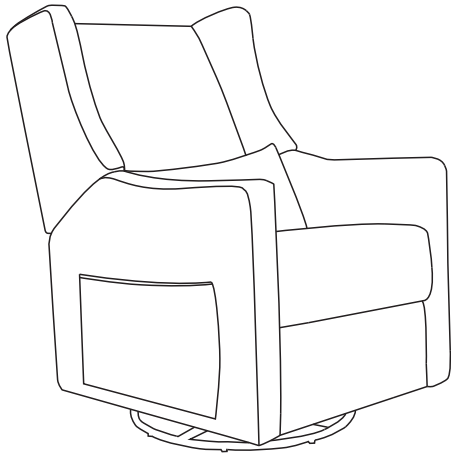
4. Operating Instructions



Step1: Pull the rope between the armrest and the seat cushion to open the footrest for using.



Step2: The backrest is easy to recline by pushing with your back. when you sit up, the backrest also returns to its position.



Step3: Use your heel against the lower part of the foot rest to close it. After hearing a 'click', the footrest will be locked. If you have problems with closing the footrest, please refer to point 6 "How to close the footrest".

5. PRODUCT CARE

- Dust regularly with a soft, dry cloth to prevent soil build-up. Keep away from heat to avoid glazing, melting or scorching. Use a professional cleaning service to clean the fabric.

6. WARNING

- Proper assembly of this item requires 2 people.
- This product is not intended for institutional or commercial use.
- Read all instructions before assembling this product.
- FALL HAZARD - To prevent death or serious injury, always keep child within arm's reach.
- Avoid placing this item in direct sunlight to prevent fading.
- Check this product for damaged hardware, loose joints, missing parts or sharp edges before and after assembly and frequently during use.