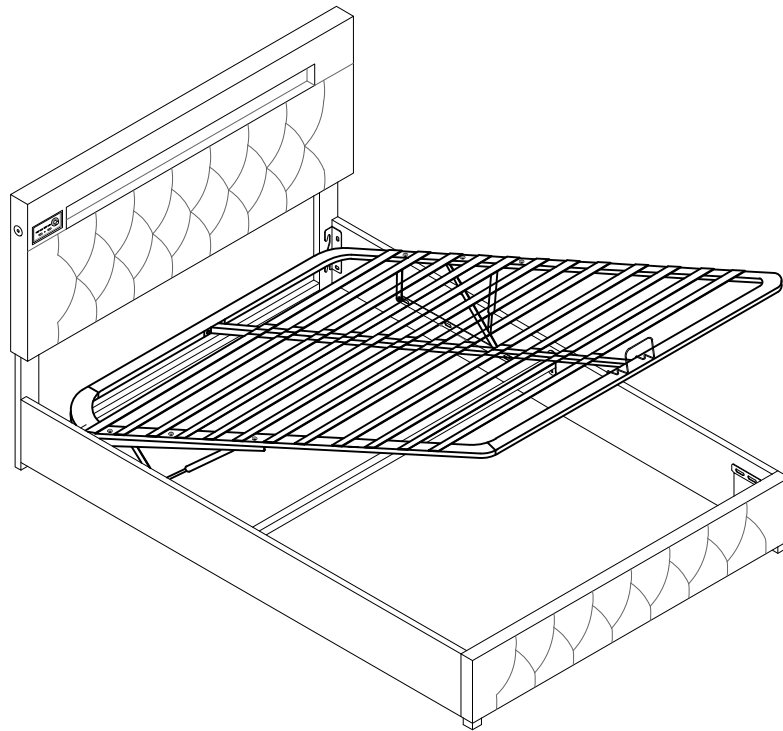


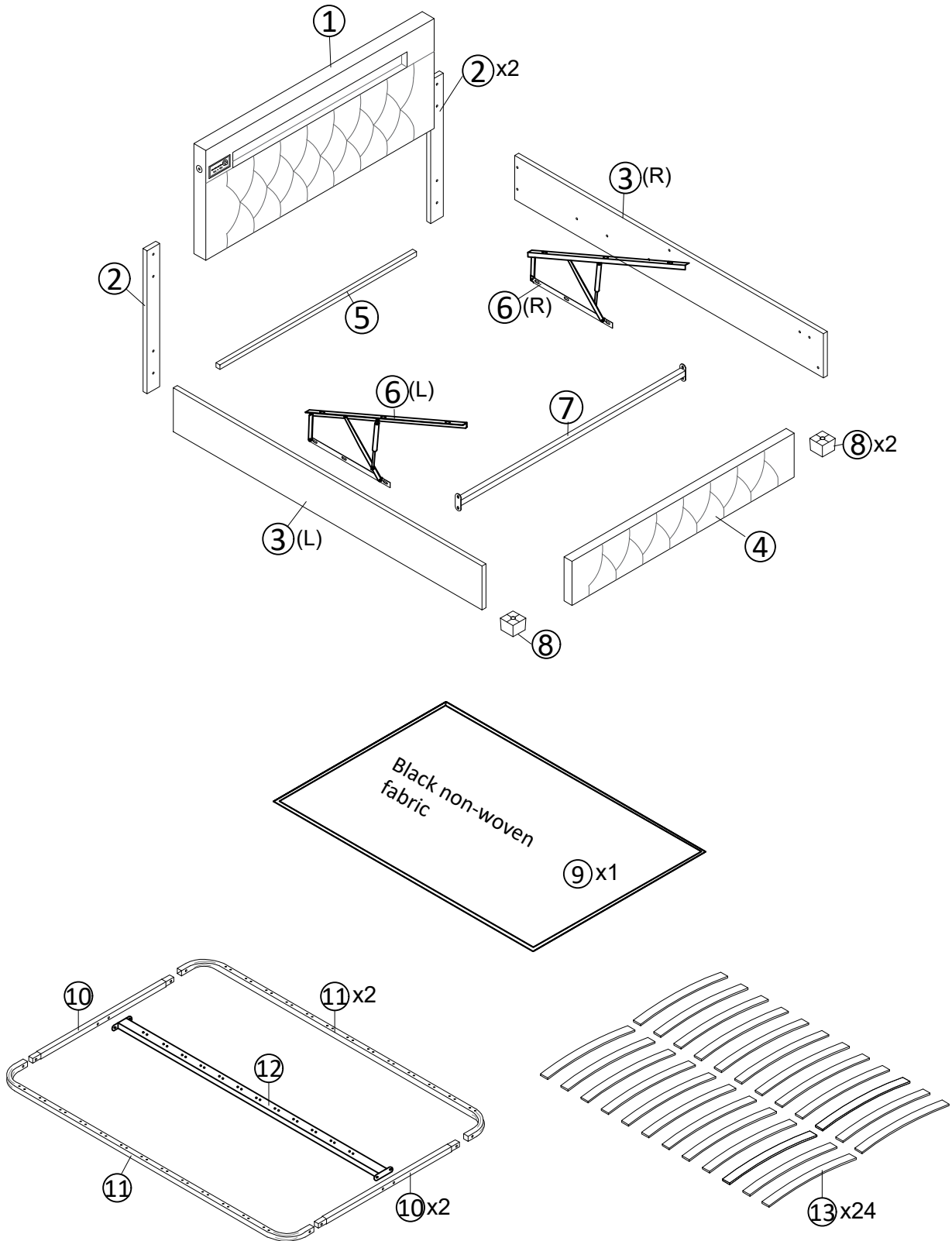
ASSEMBLY INSTRUCTION



This set is included 2 boxes if don't receive full 2 boxes please contact our customer service team.

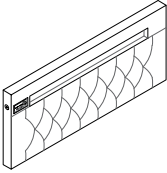

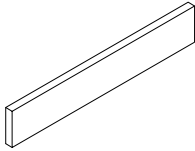
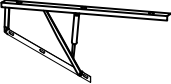
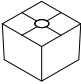
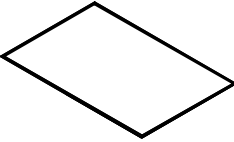
WF303947AAA / WF303948AAA
WF303947AAE / WF303948AAE

Detail View

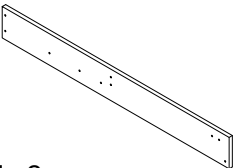

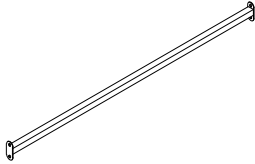
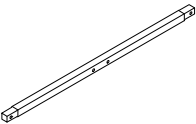
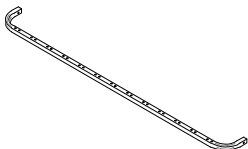
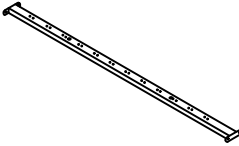
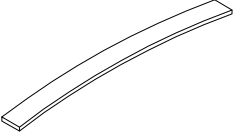


Part List



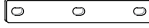


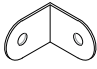
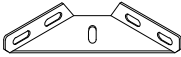
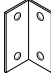





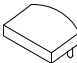



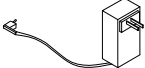
WF303947AAA / WF303947AAE

<p>1</p>  <p>Head board-1pc</p>	<p>2</p>  <p>Head board leg-2pcs</p>	<p>4</p>  <p>Foot board -1pc</p>
<p>6</p>  <p>Gas lift- 2pcs</p>	<p>8</p>  <p>Legs-2pcs</p>	<p>9</p>  <p>Black non-woven fabric-1pc</p>

Hardware List+WF303948AAA / WF303948AAE

<p>3</p>  <p>Side rails-2pcs</p>	<p>5</p>  <p>Head board cross bar-1pc</p>	<p>7</p>  <p>Cross bar-1pc</p>
<p>10</p>  <p>Metal frame cross bar-2pcs</p>	<p>11</p>  <p>Metal frame side bar-2pcs</p>	<p>12</p>  <p>Metal frame middle bar-1pc</p>
<p>13</p>  <p>Slat-24pcs</p>		


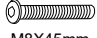
Hardware List

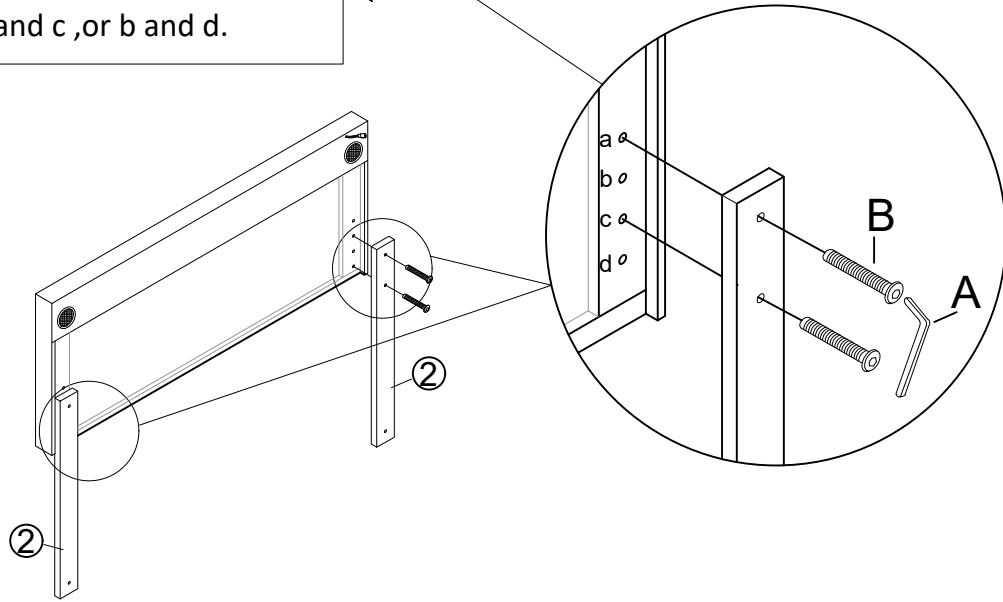
A  20*70mm	B  Ø8*45mm	C  156*24*2mm
Allen Key(1pc)	Bolts(18pcs)	Three hole iron(2pcs)
D  Ø8*18mm	E  150*40mm	F  35*47*47mm
Bolts(38pcs)	Hinge(2pcs)	Little "7" Connector(2pcs)
G  Metal Corner(2pcs)	H  75*33*33mm "7" Connector(1pc)	I  Ø6*40mm Nails(2pcs)
J  Ø12mm Nuts(4pcs)	K  70*23mm Spanner(1pc)	L  Ø15mm Nuts(14pcs)
M  55*52*11mm Middle slats cap(12pcs)	N  55*27*11mm End slats cap(24pcs)	O  140*118mm Stopper(1pc)
P  Power adapter _(LED)	Q  Color controller	R  Power adapter _(sound)

Remark: We recommend you assemble your bed in the flat ground.


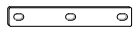
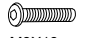
Step 1 x2

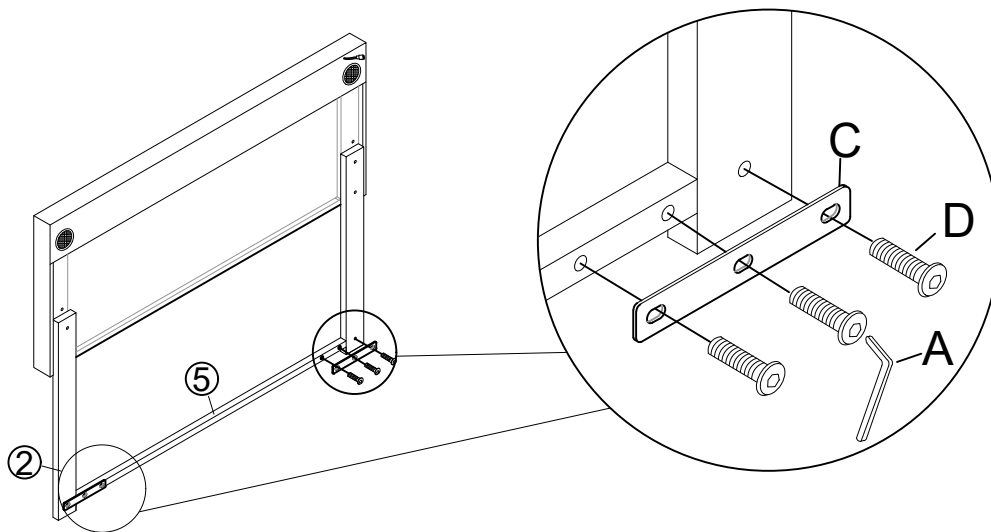
Attention:
You can chose the hole
a and c ,or b and d.

A	B
	 M8X45mm
	4PCS






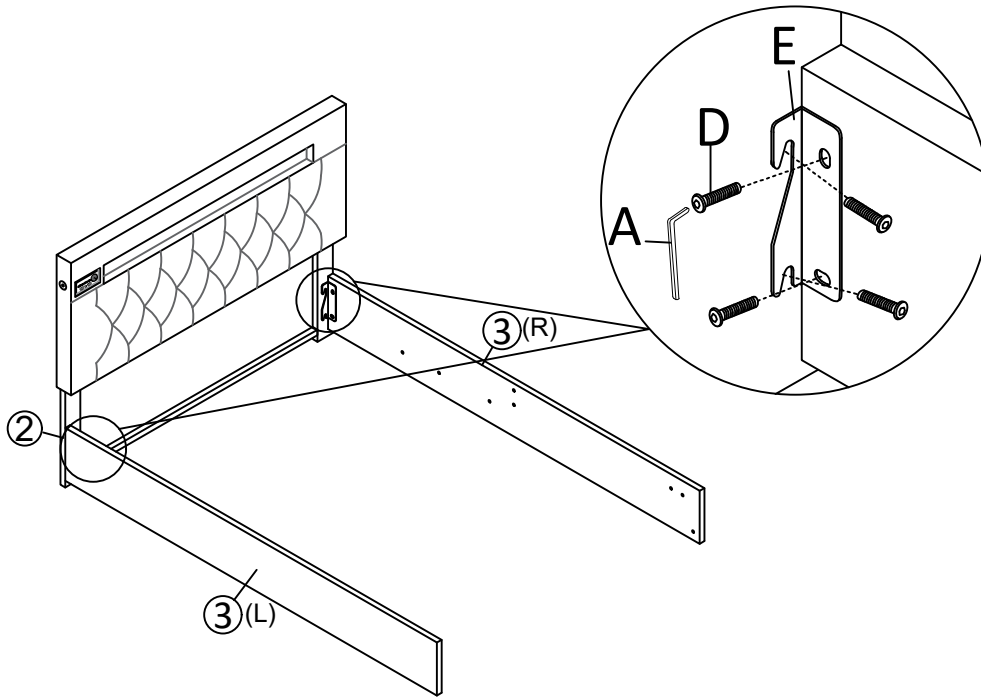
Step 2 x2

A	C	D
		 M8X18mm
	2PCS	6PCS



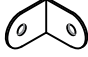
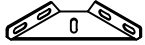


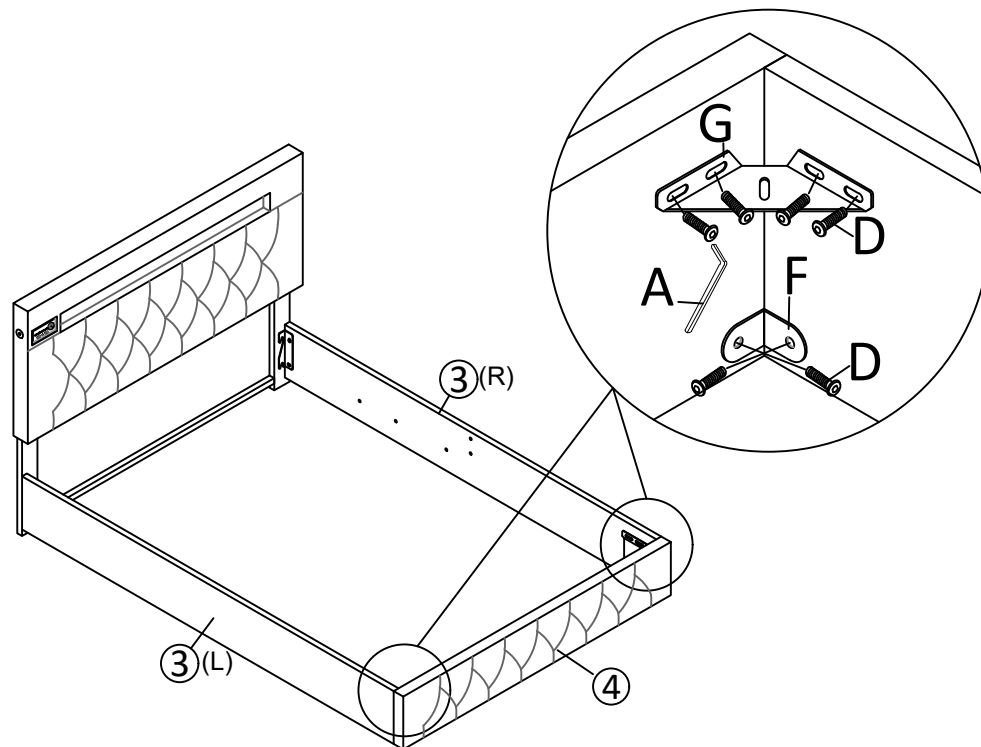
Schritt 3 x2

A 	D  M8X18mm 8Stück	E  2Stück
--	--	---



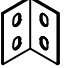


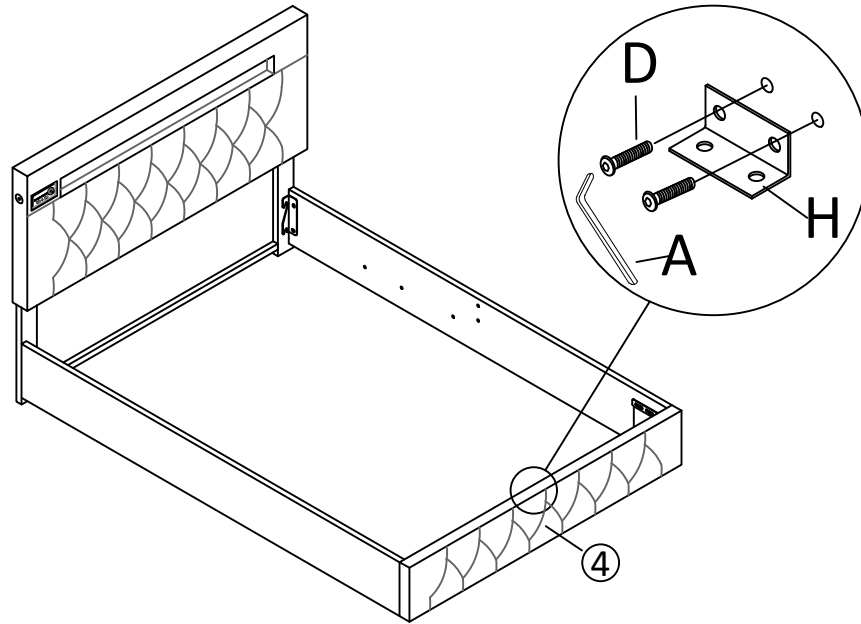
Schritt 4 x2

A 	D  M8X18mm 12Stück	F  2Stück	G  2Stück
---	--	---	---






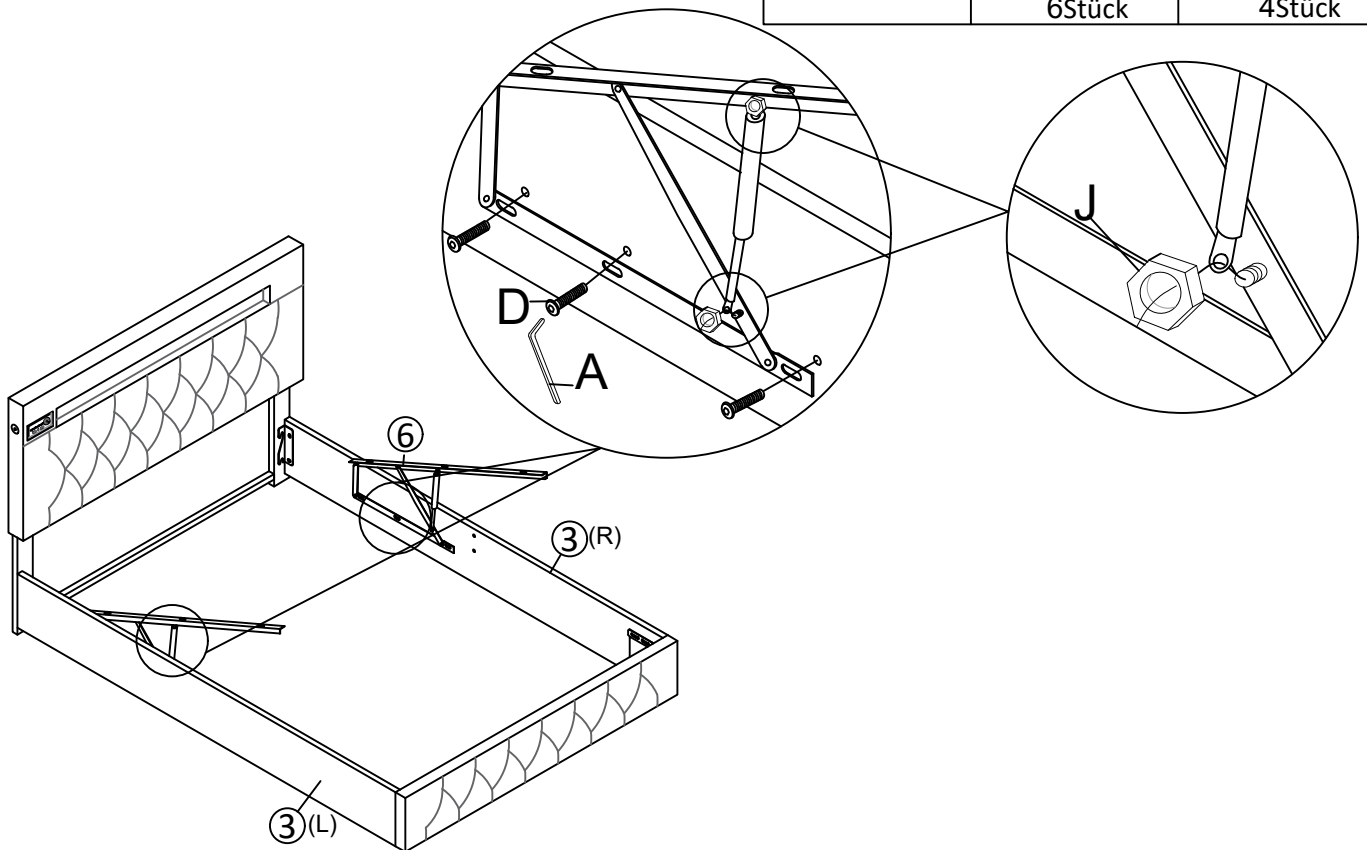
Schritt 5

A 	D  M8X18mm 2Stück	H  1Stück
--	--	---


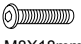


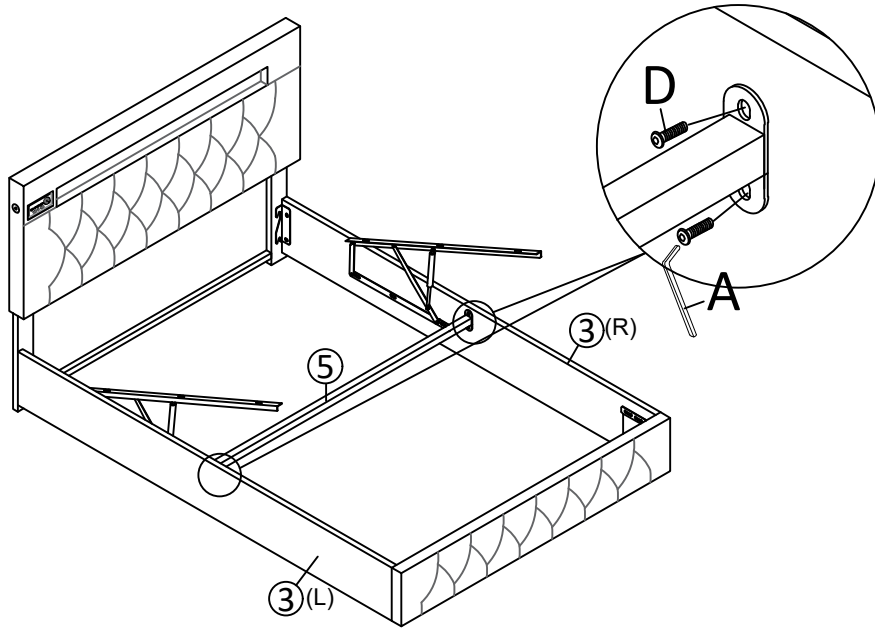
Schritt 6

A 	D  M8X18mm 6Stück	J  4Stück
--	--	---

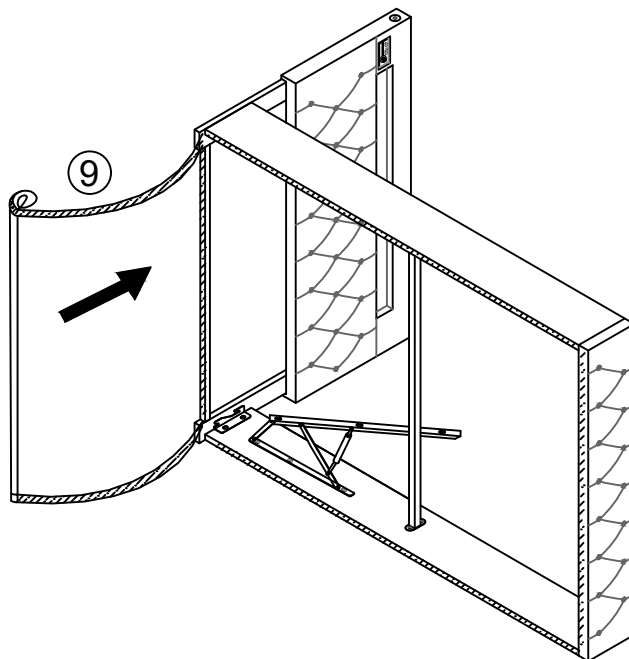


Schritt 7

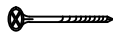
A 	D  M8X18mm 4Stück
--	---

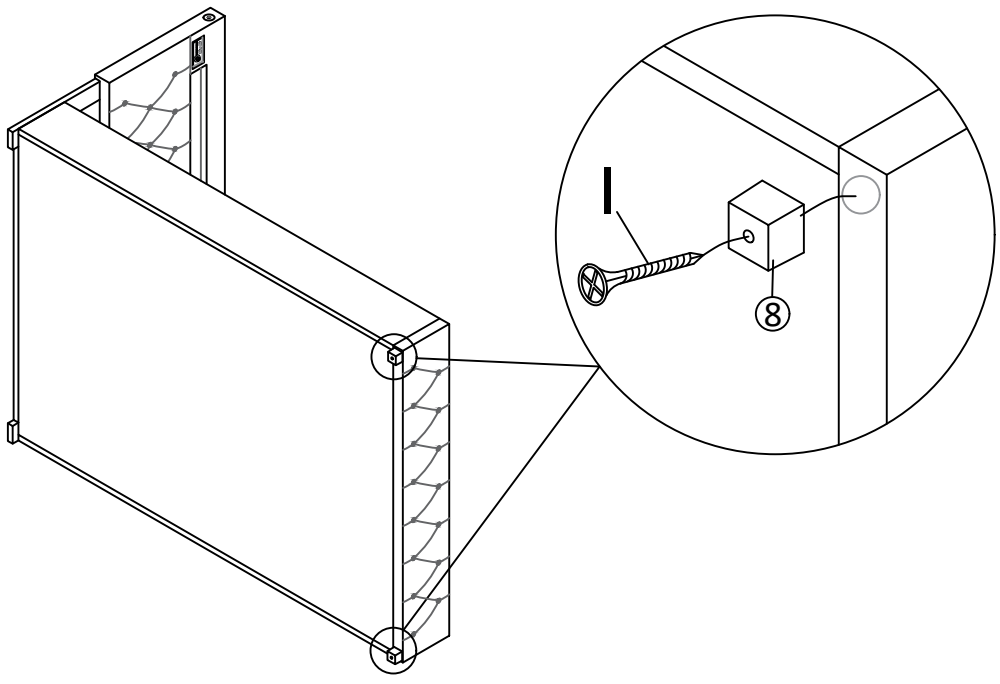


Schritt 8







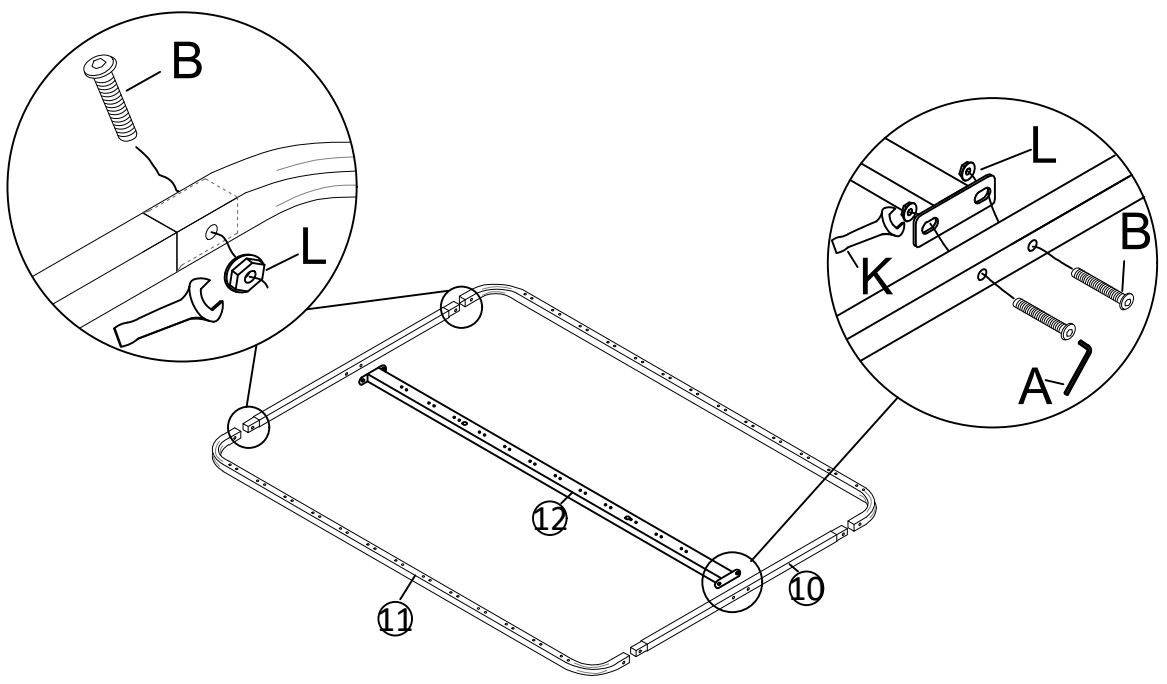
Schritt 9

I	
	M6*40mm
2Stück	





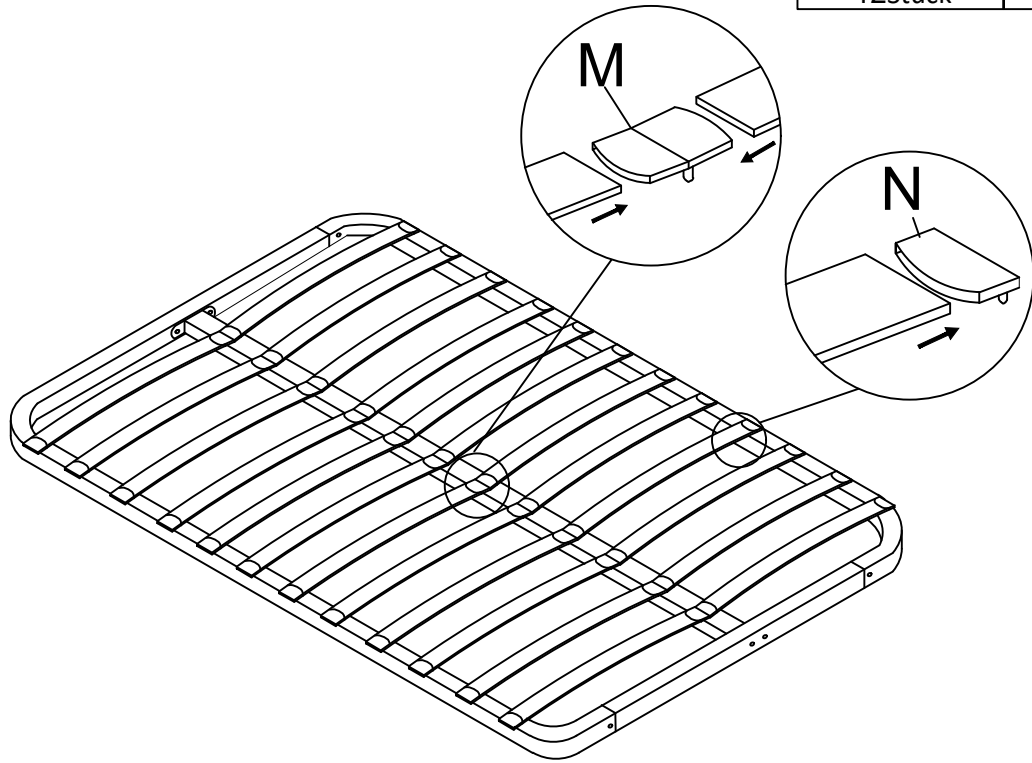
Schritt 10

A	B	K	L
	 M8X45mm		
	8Stück	1Stück	8Stück


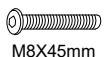




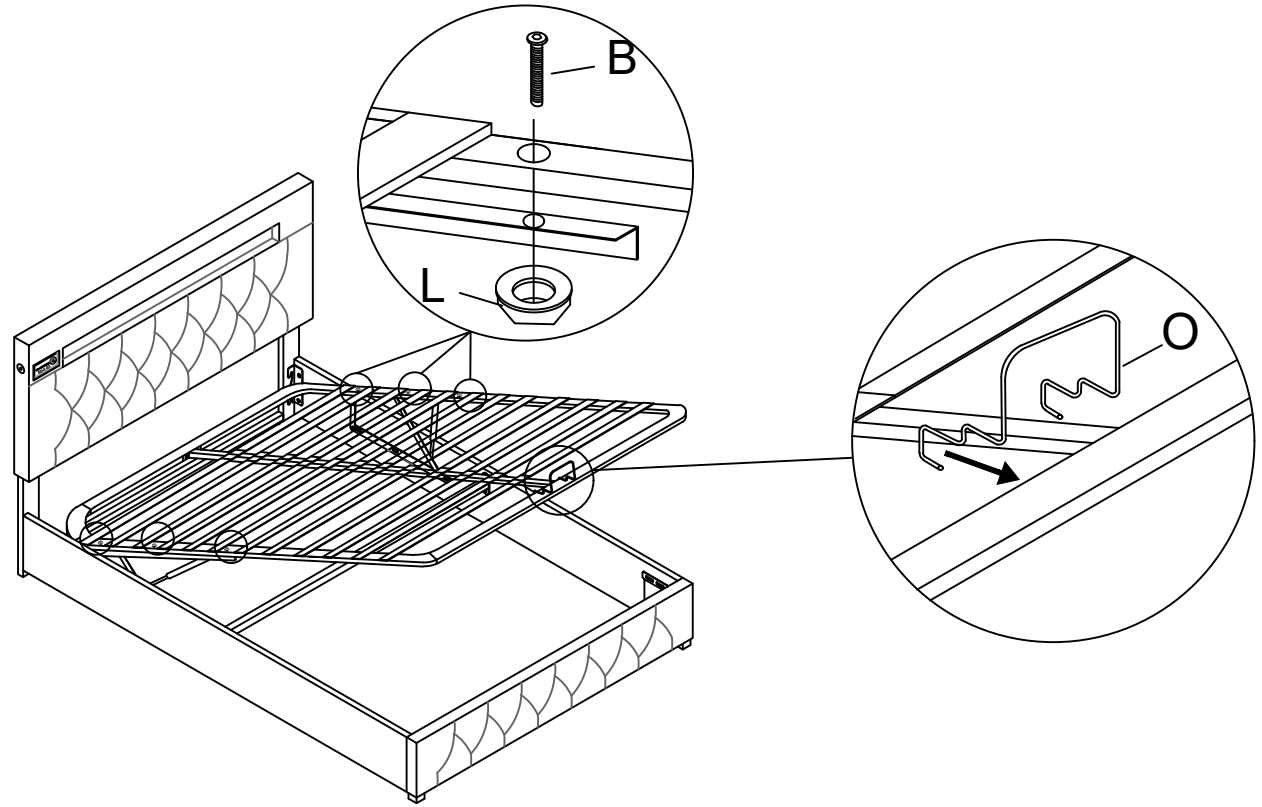
Schritt 11

M		N	
	12Stück		24Stück



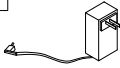


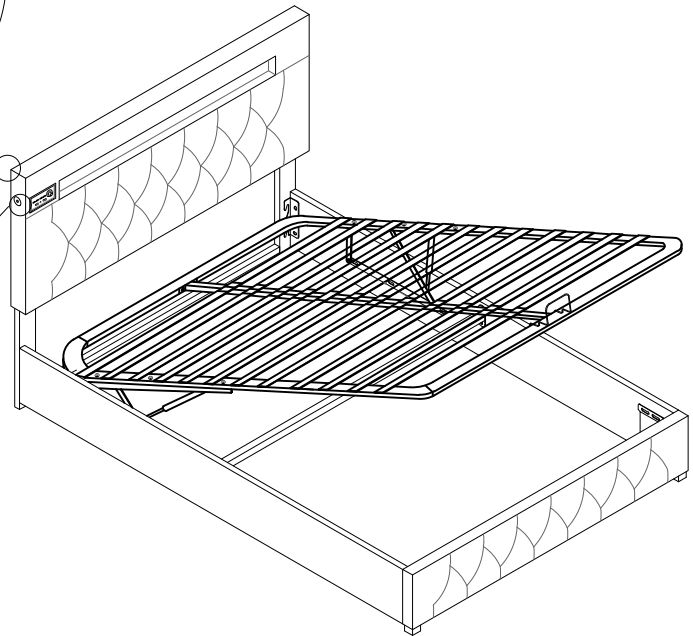
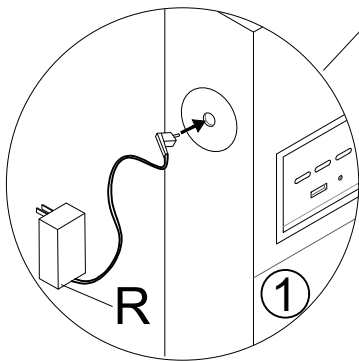
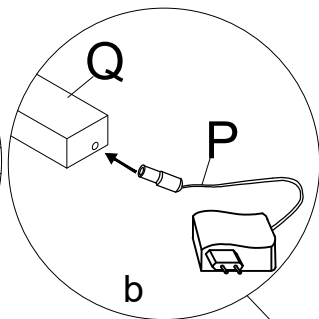
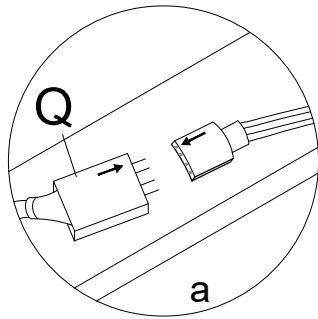
Schritt 12

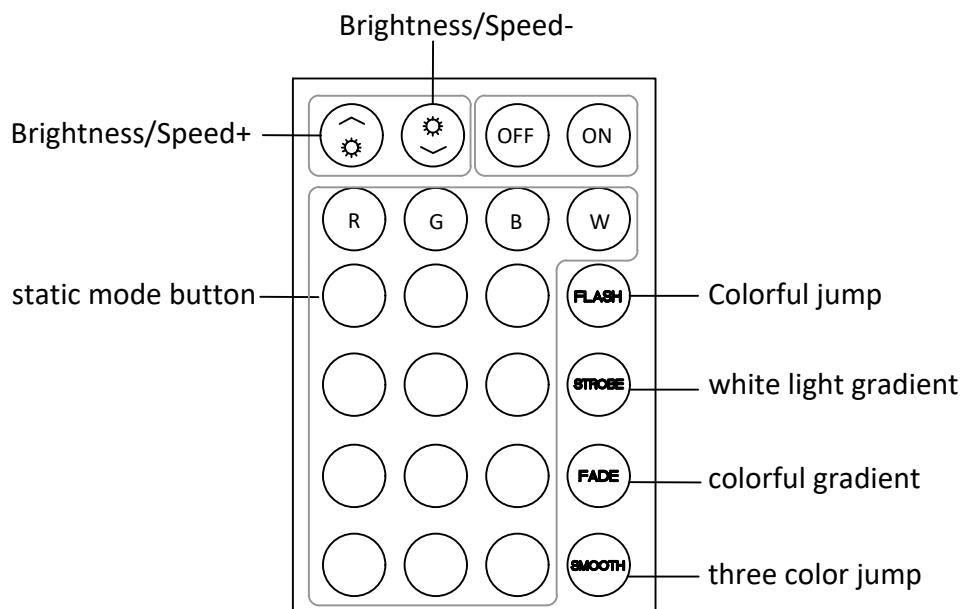
A	B	L	O
	 M8X45mm		
	6Stück	6Stück	1Stück



Schritt 13

P 	Q 	R 
1Stück	1Stück	1Stück





NOTICE:

When you use the remote control board to control the color of the light, Please remove the clear plastic card first, then please be sure to point the remote control at the color controller Q