

NOTICE

*Please make sure that you have all part indicated and they are in good condition before you begin assembly of this item. Refer to part list and hardware list below for guidance.

*This item should be assembled on a soft surface to prevent scratching the finish during assembly.

*This item may require periodic tightening.

PREPARATION

*Before beginning assembly of product, make sure all part are present. Compare part with part contents list and hardware contents list.

*If any part is missing or damaged, do not attempt to assemble the product.

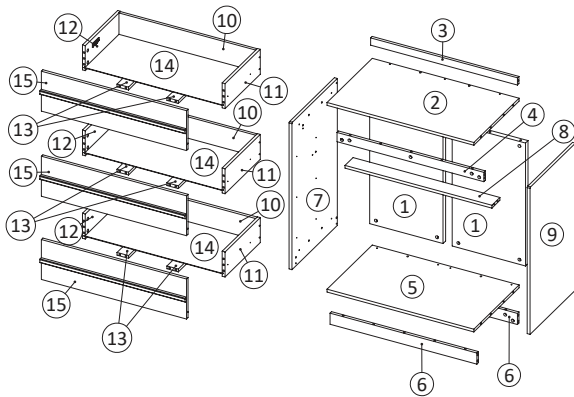
*Estimated Assembly Time: 60 minutes.

*Tools Required for Assembly (Not included): Screwdriver

CARE AND MAINTENANCE

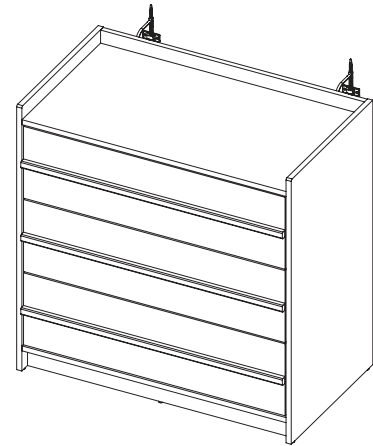
Adhesive felt pads should always be applied to areas of furniture which make direct contact with flooring, said application will prevent damage to the furniture and or surfaces on which the furniture lies. Objects placed on articles of furniture should rest on non abrasive material as to prevent damage to the wood finish. Objects whose composition consists of plastic and rubber are known to discolor and damage the wood surfaces on which they rest. Wipe up spills immediately and avoid common hazards such as hot dishes, harsh solvents and abrasives. Cleaning should be done with a soft lint free cotton cloth dampened with water or furniture polish. On highly used surfaces we recommend applying a quality paste wax which should be used on a regular basis to provide additional protection from scratches and spills. How often you apply the wax depends on how much wear the furniture receives.

Part List



Owner Manual

Product Dimensions: W 31.46" x D 17.72" x H 31.46"



WARNING

TOTAL WEIGHT CAPACITY: 82 LBS


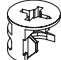




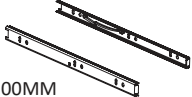

Top Load Capacity: 37 lbs


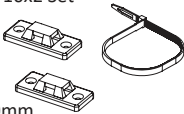


Drawer Load Capacity: 15 lbs

Warning: Do not stand on Chest

Warning: Do not over torque bolt

Hardware List

<p>HW1x53</p>  <p>Ø6x32MM</p>	<p>HW2x53</p>  <p>Ø15x12MM</p>	<p>HW3x52</p>  <p>Ø8x32MM</p>	<p>HW4x21</p>  <p>Ø7x32MM</p>	<p>HW5x24</p>  <p>Ø6x12MM (PH)</p>	<p>HW6x3</p>  <p>300MM</p>
<p>HW7x3</p>  <p>300MM</p>	<p>HW8x30</p>  <p>Ø20mm</p>				

Anti-tip Restraint Pack	
<p>HW9x4</p>  <p>Ø6x15MM</p>	<p>HW10x2 Set</p>  <p>300mm</p>
<p>HW11x4</p>  <p>Ø8x35MM</p>	<p>HW12x4</p>  <p>Ø10x50MM</p>

Part List & HW

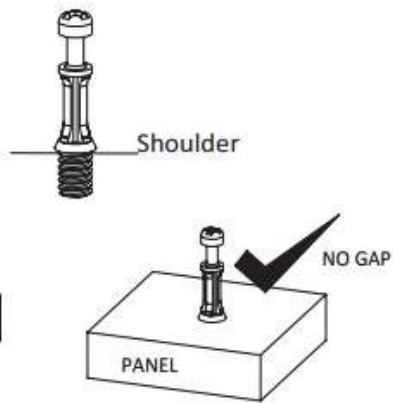
Piece	Description	Qty	Carton Call
1	Back Panel	2	1 of 1
2	Top Panel	1	1 of 1
3	Plint Upper	1	1 of 1
4	Panel Support Top	1	1 of 1
5	Bottom Panel	1	1 of 1
6	Plint Lower	2	1 of 1
7	Left Side Panel	1	1 of 1
8	Front apron	1	1 of 1
9	Right Side Panel	1	1 of 1
10	Drawer Back	3	1 of 1
11	Right Side Drawer	3	1 of 1
12	Left Side Drawer	3	1 of 1
13	Drawer Base Support	6	1 of 1
14	Drawer Base	3	1 of 1
15	Front Drawer	3	1 of 1

Piece	Description	Qty	Carton Call
HW1	Cambolt Ø6x32mm	53	1 of 1
HW2	Camlock Ø15x12 mm	53	1 of 1
HW3	Wooden Dowel Ø8	52	1 of 1
HW4	Screw M7 x 32 mm	21	1 of 1
HW5	Screw M6 x 12 mm (PH)	24	1 of 1
HW6	Metal Runner 1 uk.300mm	3	1 of 1
HW7	Metal Runner 2 uk.300mm	3	1 of 1
HW8	Cover Cap Sticker Ø20mm	30	1 of 1
HW9	Screw M6 x 15 mm	4	1 of 1
HW10	Anti-tip.300 mm	2	1 of 1
HW11	Fisher "S" 8	4	1 of 1
HW12	Screw M10 x 50 mm	4	1 of 1

Special Tips for Fitting Minifix Cam (Cam-Lock), and Minifix Bolt (Cam-Bolts)

CAM-BOLT

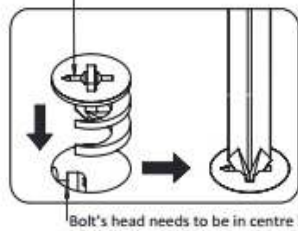
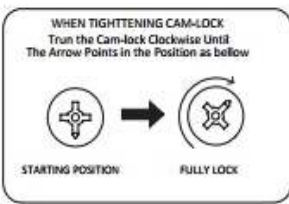
Tighten until shoulder is flush with panel. Do not overtighten or undertighten (see example below)



CAM-LOCK



See this Arrow Points !

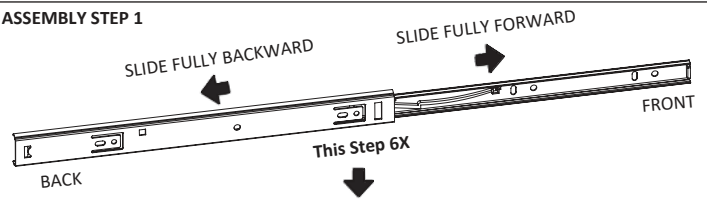


SPECIAL TIPS FOR DRAWER SLIDE ASSEMBLY

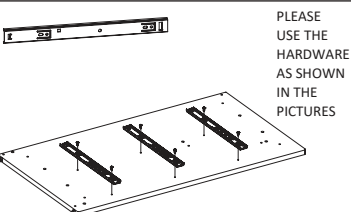
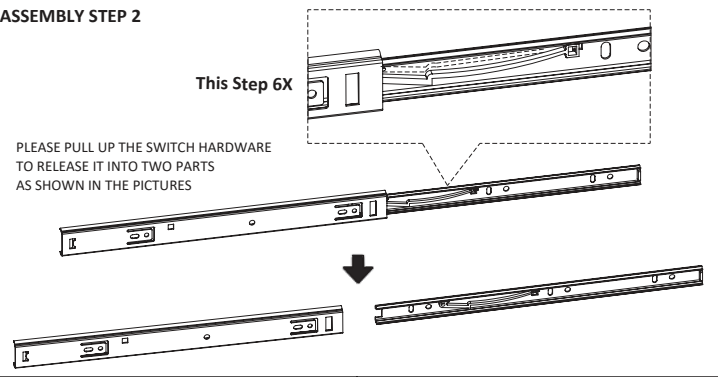
ORIGINAL POSITION



ASSEMBLY STEP 1



ASSEMBLY STEP 2

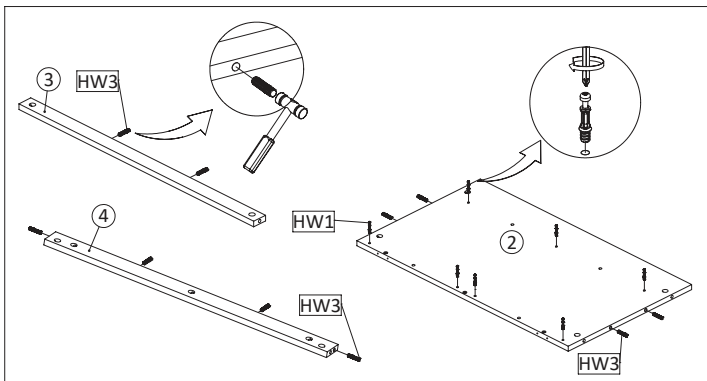


PREPARATION

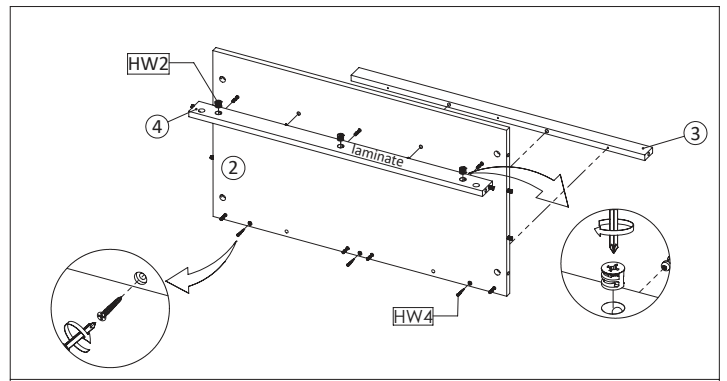
Before beginning assembly of product, make sure all parts are present. Compare parts with the parts contents list and hardware contents list.

If any part is missing or damaged, do not attempt to assemble the product.

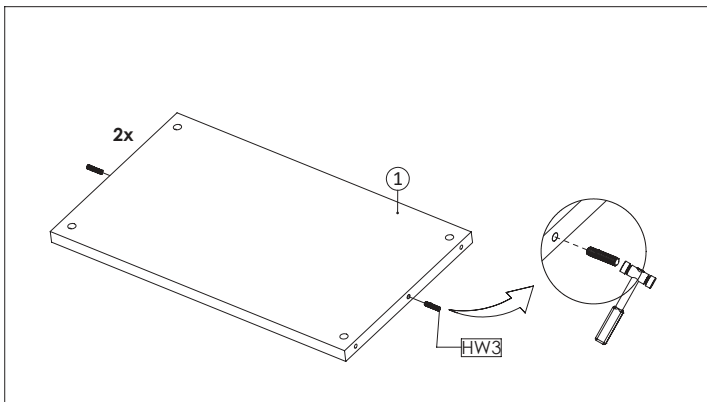
Estimated Assembly Time: 60 minutes.



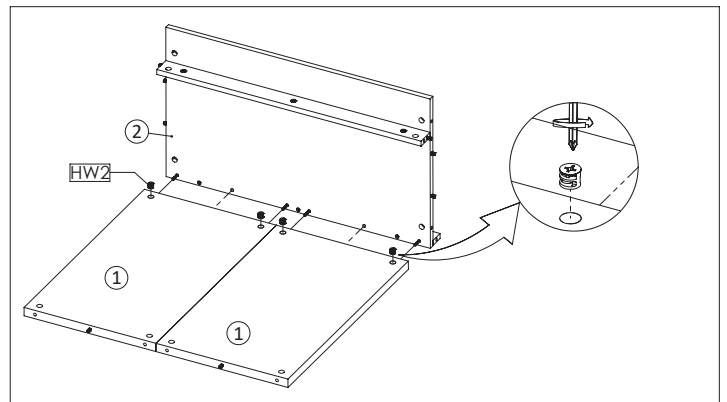
STEP1: Insert cambolt (HW1) into top panel (2). Insert wooden dowel (HW3) into top panel (2), plint upper (3) and panel support top (4).



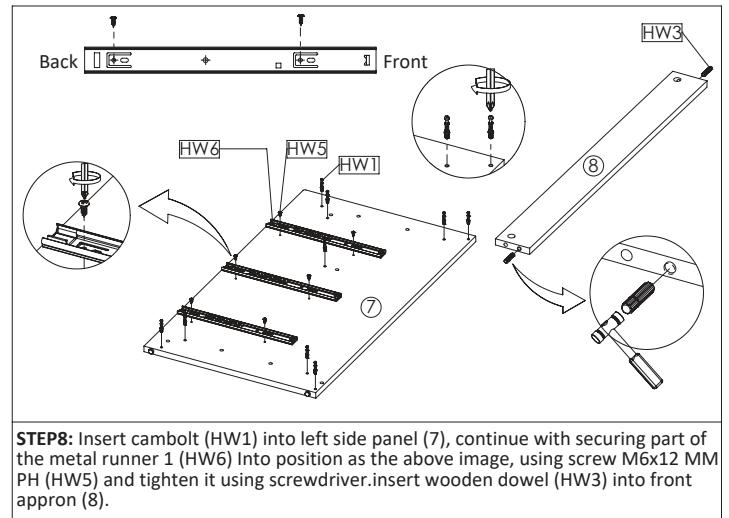
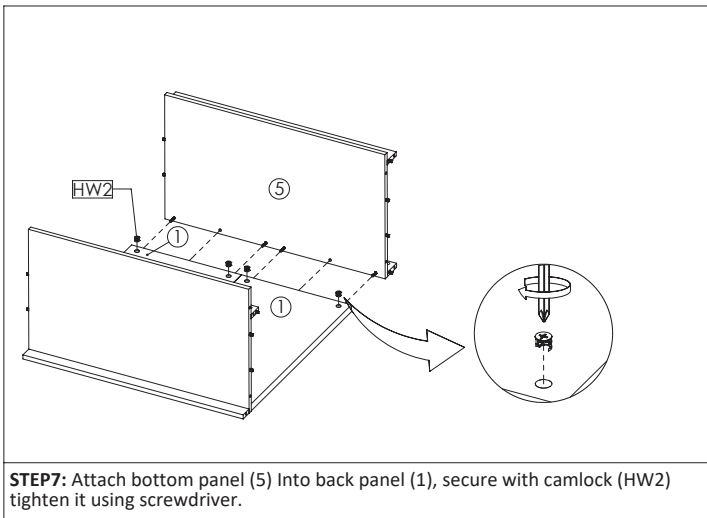
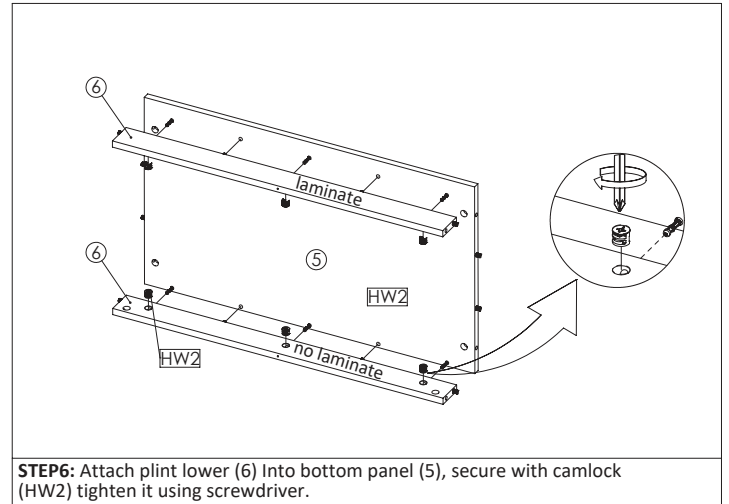
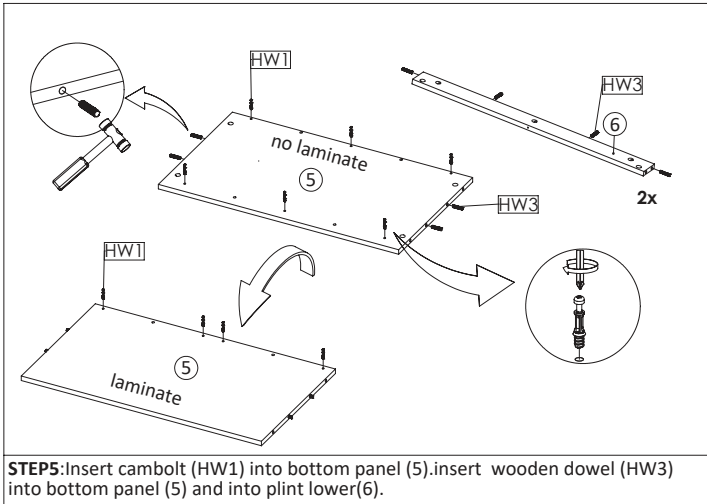
STEP2: Attach plint upper (3) into top panel (2), secure with screw m7X32 mm (HW4) and panel support top (4) into top panel (2), secure with camlock (HW2) tighten it using screwdriver.

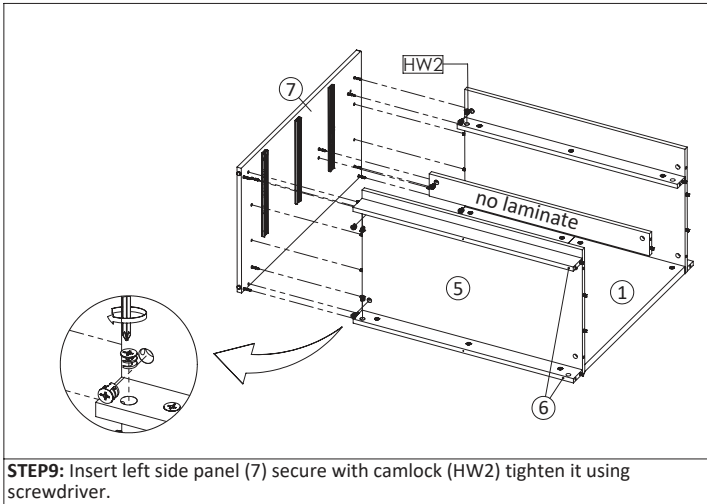


STEP3: Insert wooden dowel (HW3) into back panel (1)

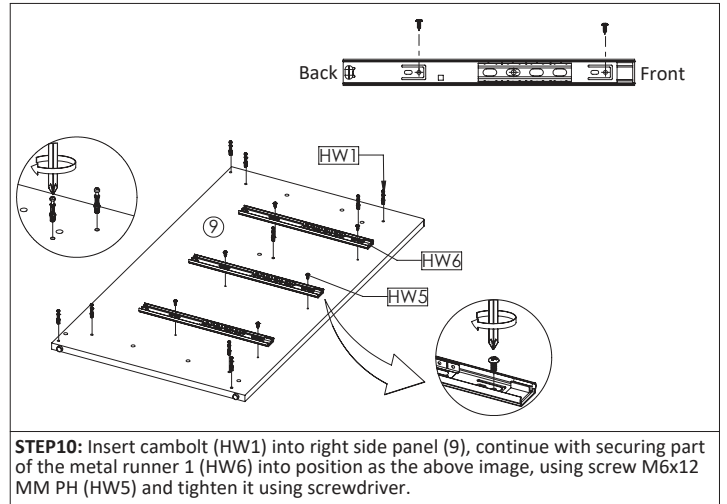


STEP4: Attach back panel (1) into top panel (2), secure with camlock (HW2) tighten it using screwdriver.

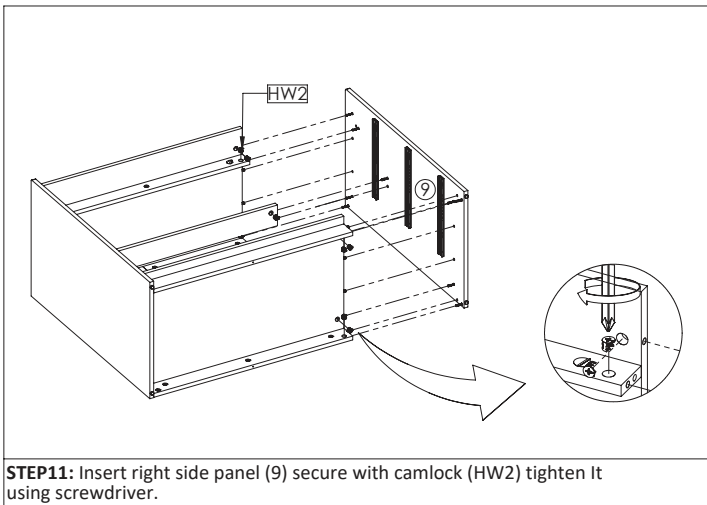




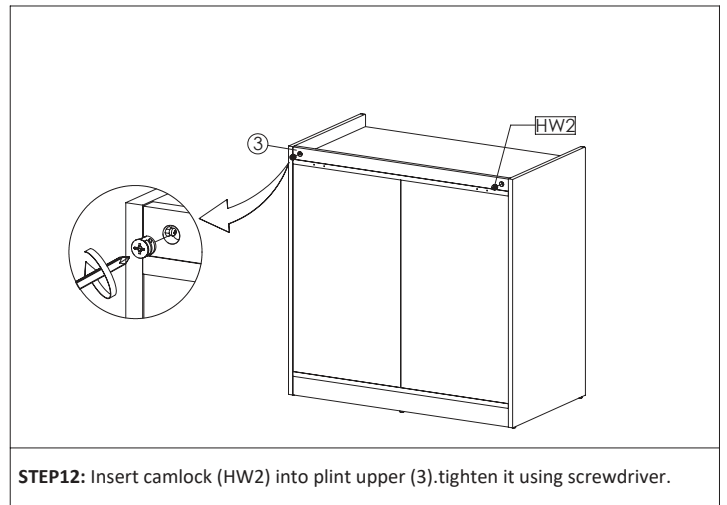
STEP9: Insert left side panel (7) secure with camlock (HW2) tighten it using screwdriver.



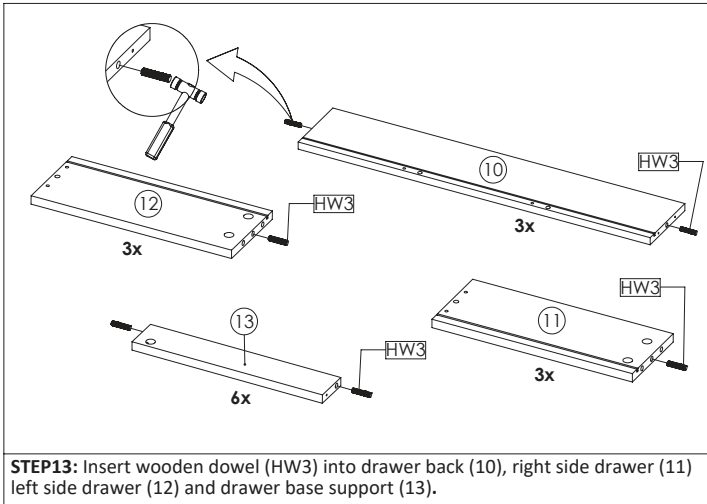
STEP10: Insert cambolt (HW1) into right side panel (9), continue with securing part of the metal runner 1 (HW6) into position as the above image, using screw M6x12 MM PH (HW5) and tighten it using screwdriver.



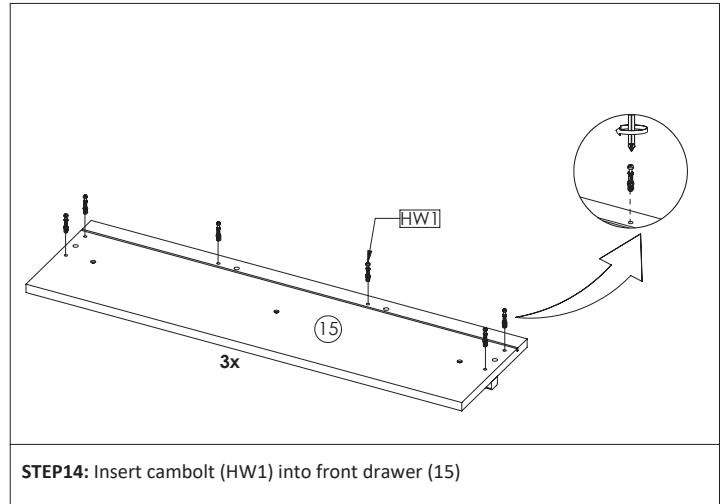
STEP11: Insert right side panel (9) secure with camlock (HW2) tighten It using screwdriver.



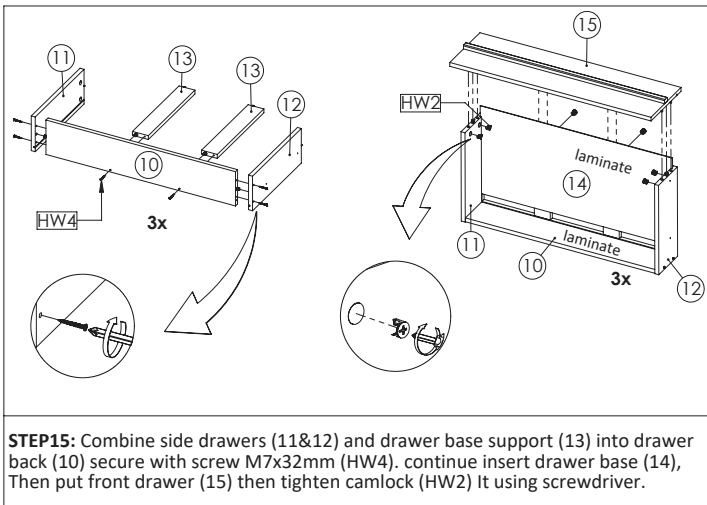
STEP12: Insert camlock (HW2) into plint upper (3).tighten it using screwdriver.



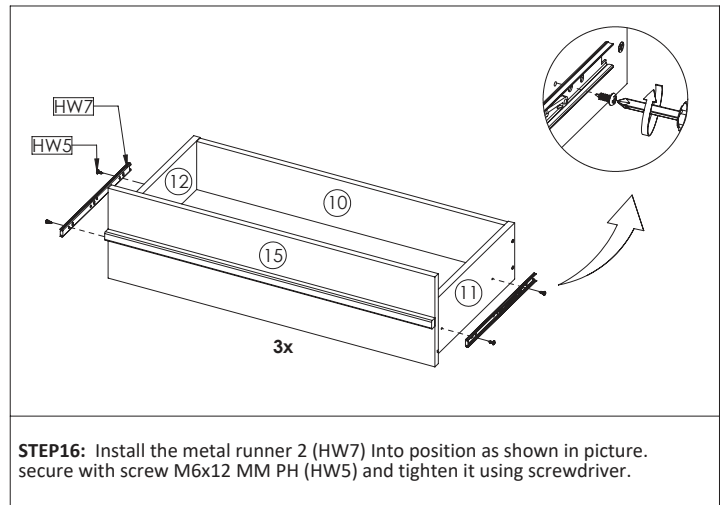
STEP13: Insert wooden dowel (HW3) into drawer back (10), right side drawer (11) left side drawer (12) and drawer base support (13).



STEP14: Insert cambolt (HW1) into front drawer (15)



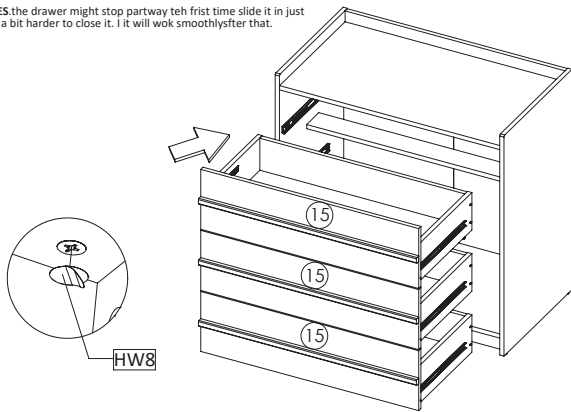
STEP15: Combine side drawers (11&12) and drawer base support (13) into drawer back (10) secure with screw M7x32mm (HW4). continue insert drawer base (14), Then put front drawer (15) then tighten camlock (HW2) It using screwdriver.



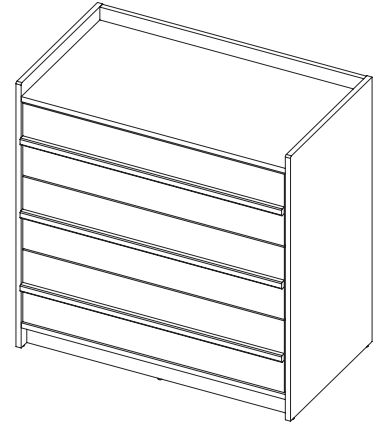
STEP16: Install the metal runner 2 (HW7) Into position as shown in picture. secure with screw M6x12 MM PH (HW5) and tighten it using screwdriver.

SPECIAL TIPS FOR DRAWER SLIDE ASSEMBLY

NOTES: the drawer might stop partway the first time slide it in just push a bit harder to close it. It will work smoothly after that.



STEP17: Hold The Sides Of Drawer, Position The Wheel Of Rail At Drawer Back And The Wheel Of Rail At Side Boards, According To The Image. Slide In The Drawers One By One Into The Cabinet. attach cover cap stiker (HW8) to the panel that has lamination.



STEP18: Assembly Is Complete

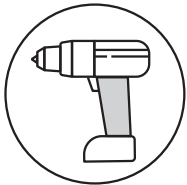


ANTI-TIP RESTRAINT INSTALLATION

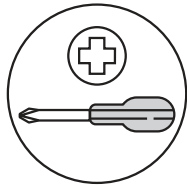
! WARNING!

Children have died from furniture tipover.
To reduce the risk of furniture tipover:

- ALWAYS install tipover restraint provided.
- NEVER allow children to stand, climb or hang on drawers, doors, or shelves.
- NEVER open more than one drawer at a time.
- Place heaviest items in the lower drawers.



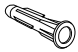
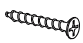



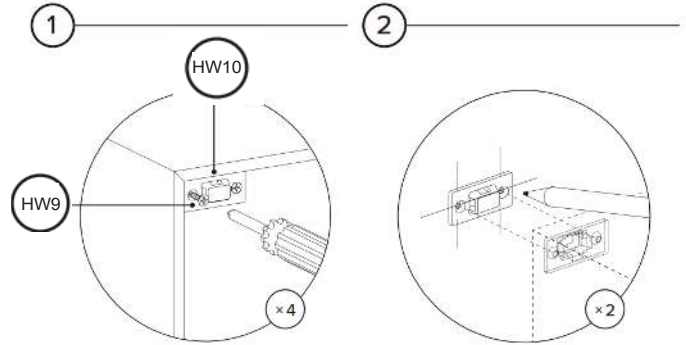
REQUIRED TOOL
8MM / 5/16" DRILL BIT



REQUIRED TOOL

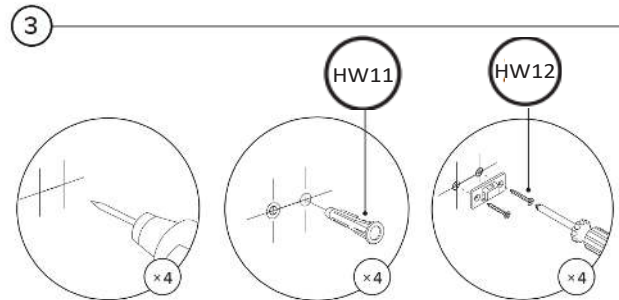
! Hardware (HW11/HW10) to attach brackets to wall is designed for drywall. To attach this unit to another type of wall, consult with your local hardware store.

ANTI-TIP RESTRAINT PACK			
ID	DESCRIPTION		QTY
HW10	BRACKET		4
HW9	M6 × 15MM SCREW		4
HW11	M8 × 35MM PLUG		4
HW12	M10 × 50MM SCREW		4
HW10	STRAP		2

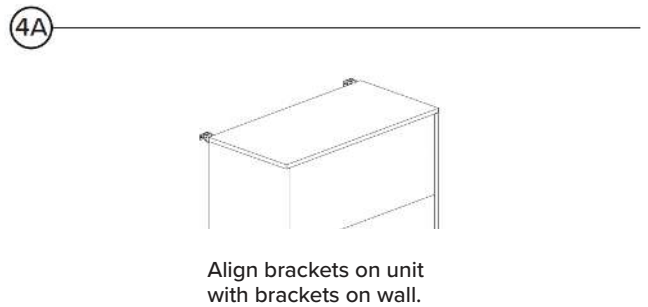


Attach pair of brackets to "Top Panel" of the unit. Note there are no existing pilot holes on the product.

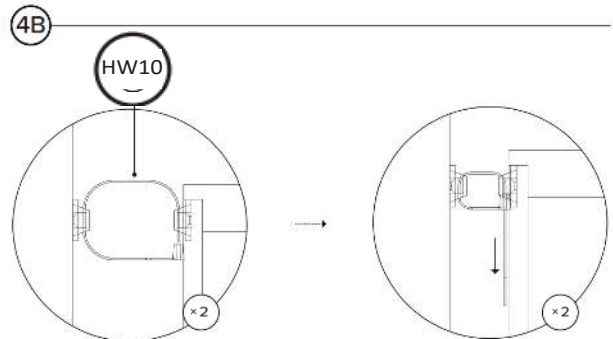
Mark on wall where second pair of brackets should be placed.



Drill holes in wall using 8mm / 5/16" drill bit.



Align brackets on unit with brackets on wall.



Pull strap down until it snap-locks.