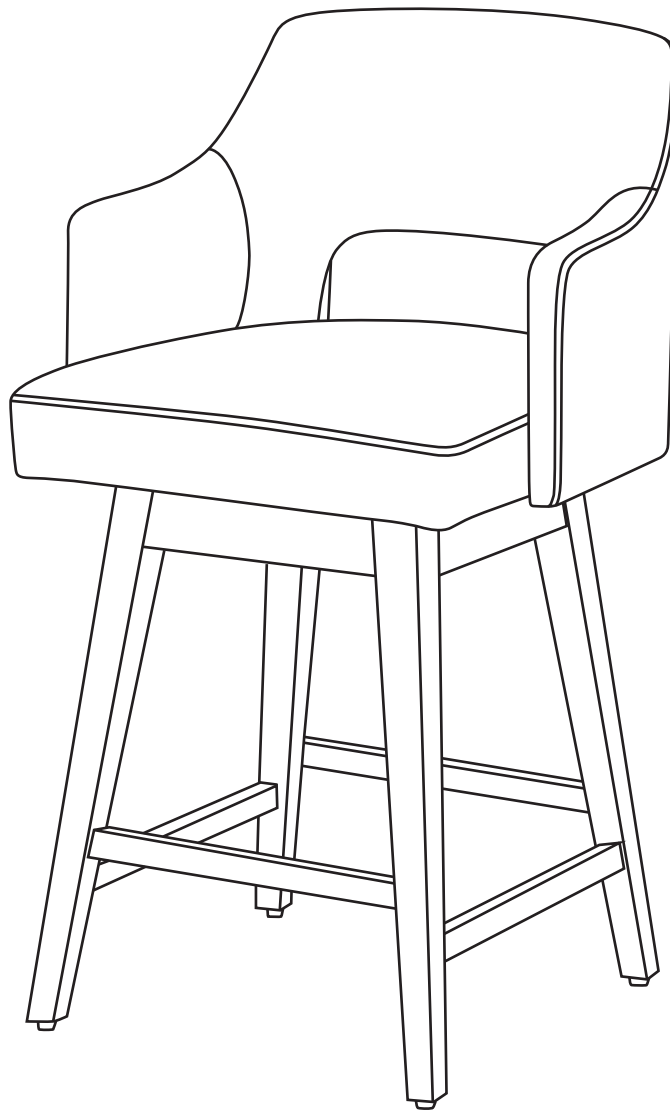


---

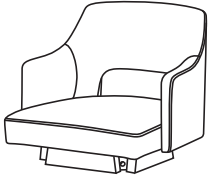
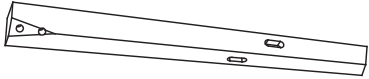
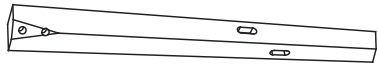
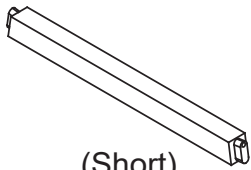
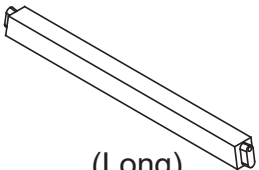
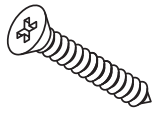

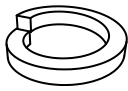



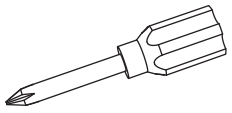
# Assembly Manual

## Swivel Bar & Counter Stool

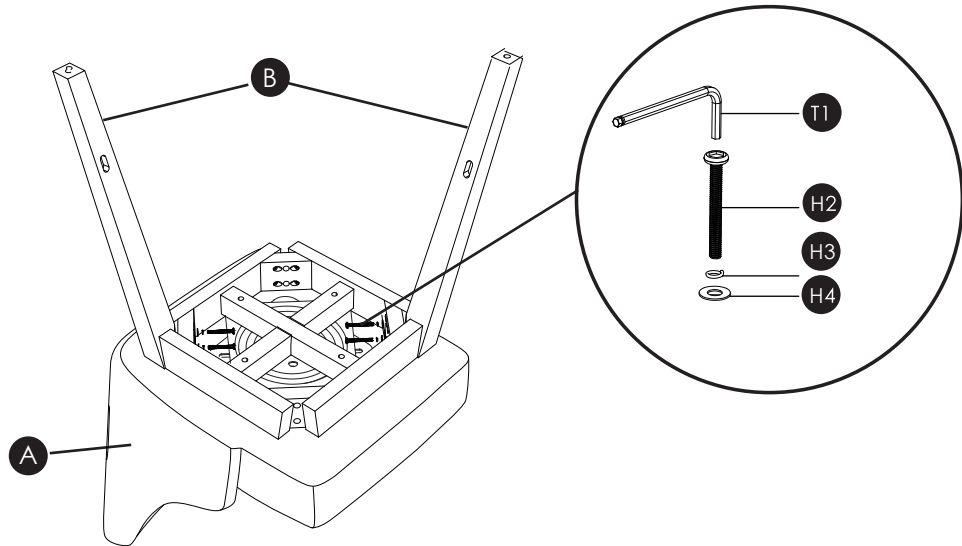


**▲ CAUTION**

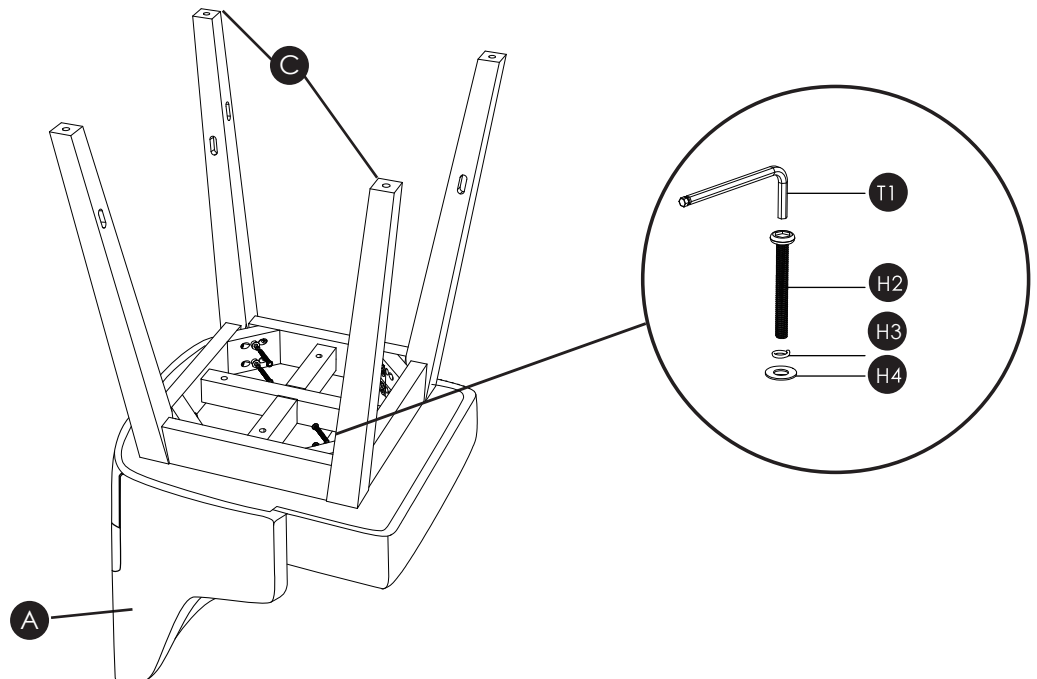
THIS ASSEMBLY MANUAL CONTAINS IMPORTANT SAFETY INFORMATION.  
PLEASE READ AND KEEP FOR FUTURE REFERENCE.

<p>AX 1</p> 	<p>B X 2</p> 	<p>C X 2</p> 
<p>DX 2</p>  <p>(Short)</p>	<p>E x 2</p>  <p>(Long)</p>	<p>H1 x 8</p> 
<p>H2 x 8</p> 	<p>H3 x 8</p> 	<p>H4 x 8</p> 
<p>H5 x 4</p> 	<p>T1 x 1</p> 	 <p>Not Included</p>

- 
- 1** Attach Legs (B) to Seat (A), using bolts (H2), lock washers (H3), flat washers (H4), and allen wrench (T1).  
**Note: Do not fully tighten yet.**



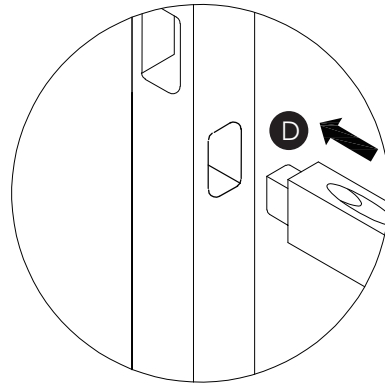
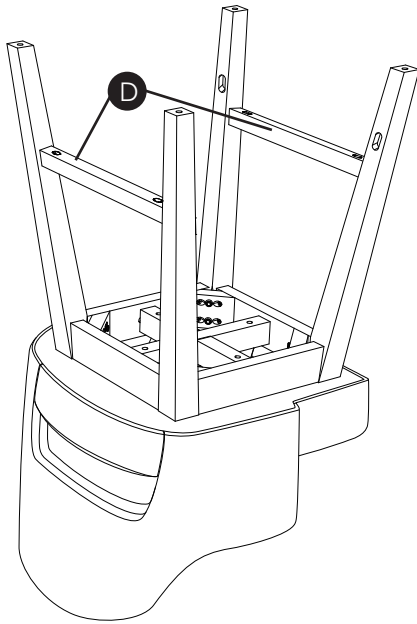
- 2** Attach Legs (C) to Seat (A), using bolts (H2), lock washers (H3), flat washers (H4), and allen wrench (T1).  
**Note: Do not fully tighten yet.**



3

Insert shorter side rails (D).

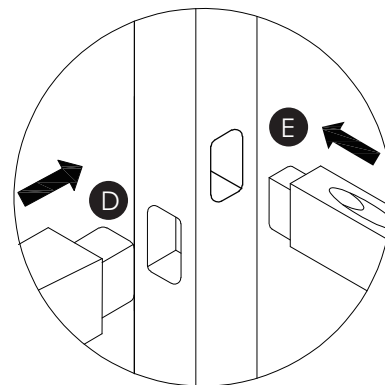
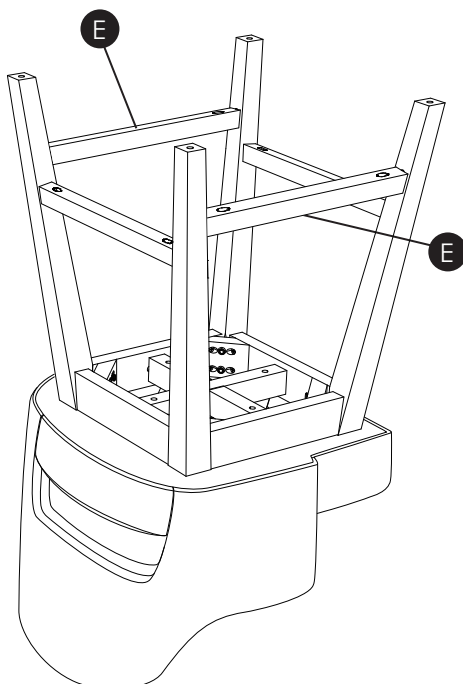
**Note:** You may need to apply a little pressure to enable the rails to slot into position.



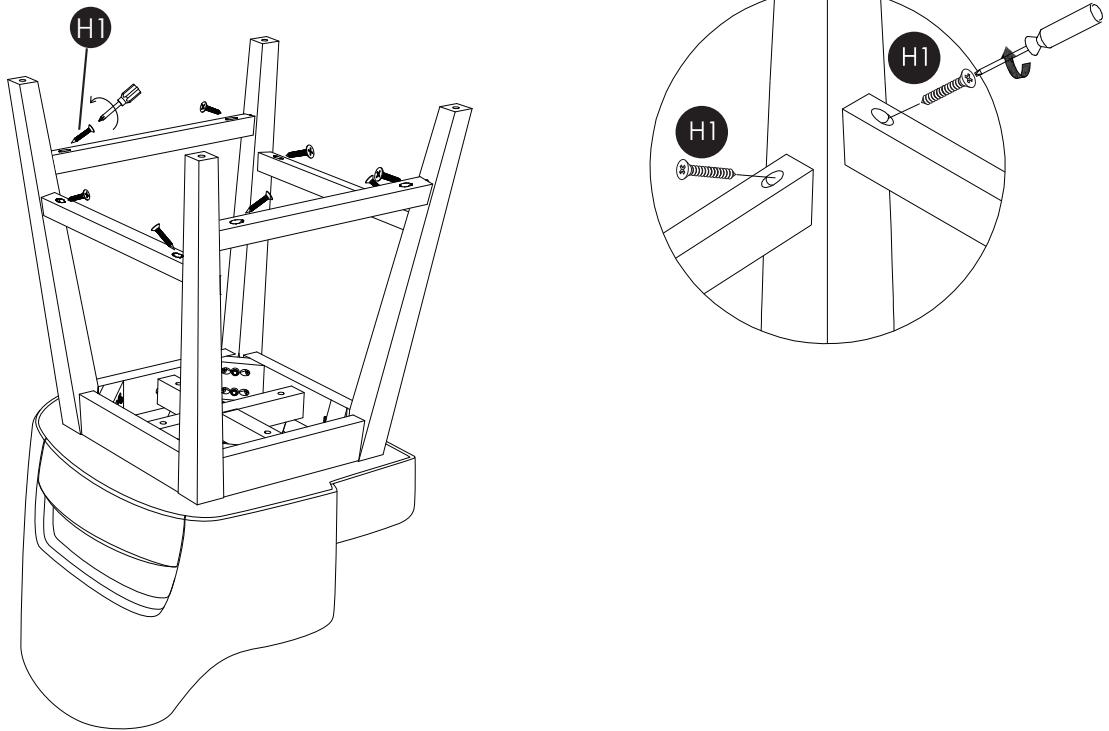
4

Insert longer side rails (E).

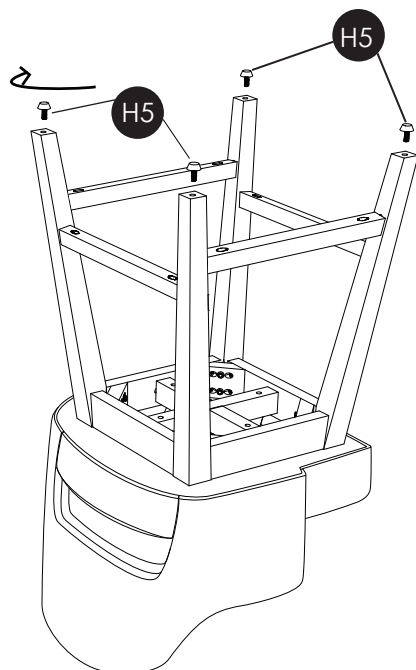
**Note:** You may need to apply a little pressure to enable the rails to slot into position.



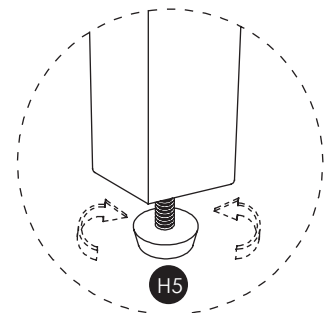
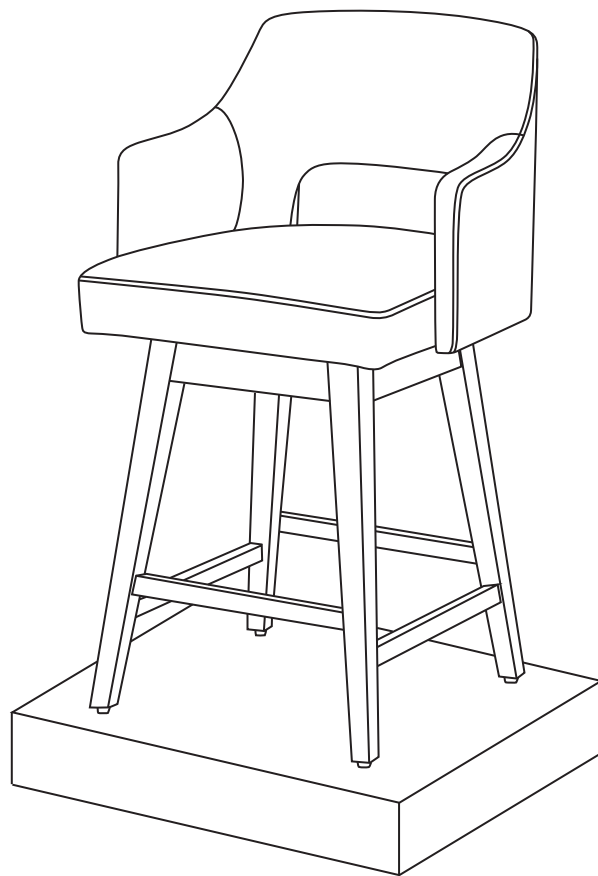
- 
- 5** Attach the rails using screws (H1).  
**Note: Do not fully tighten yet.**



- 6** Attach foot levelers (H5) to Legs (B & C) .



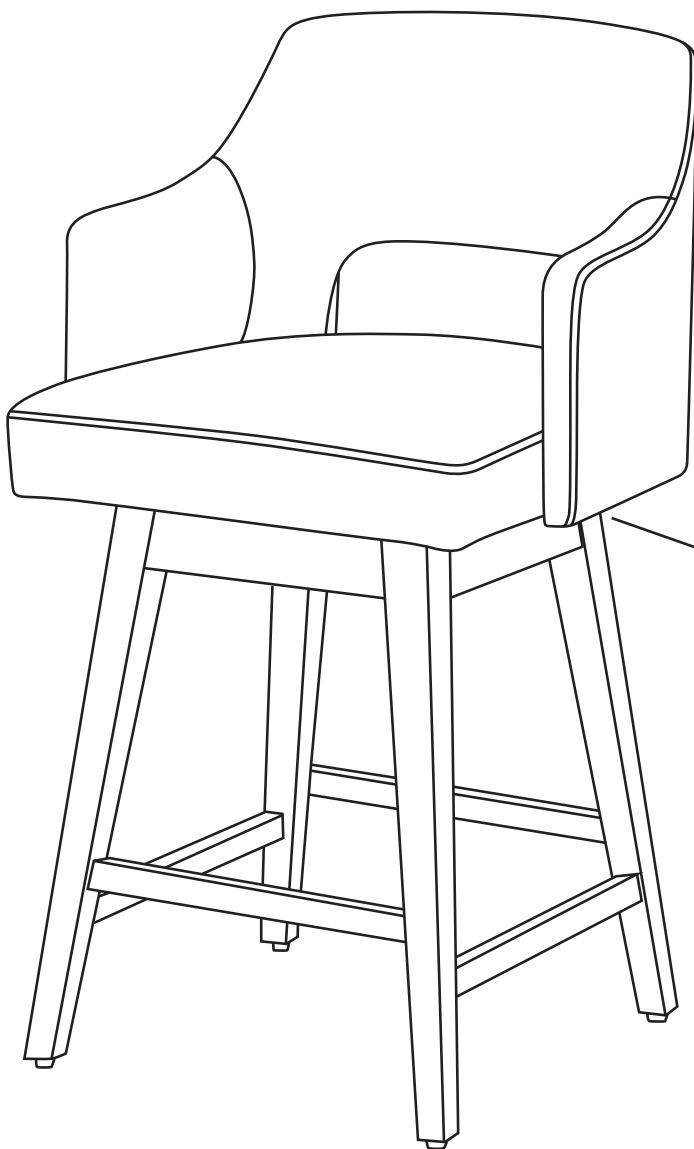
- 
- 7** Turn assembled chair upright and place on a flat surface. Push legs up or down as necessary to level. Once level, tighten all bolts and screws.  
**Note:** Each leg has an adjustable foot leveler to help level your chair.



Foot levelers

---

**8** Assembly complete. Enjoy.



**CAUTION: PINCH POINT.**

**Please keep hands clear during swivel.**