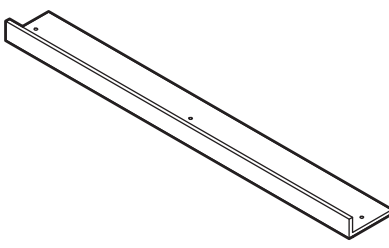
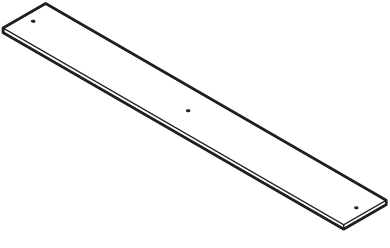
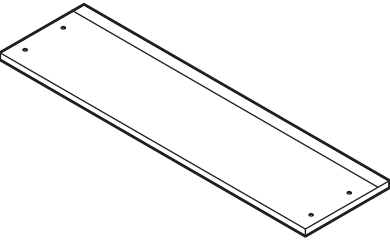
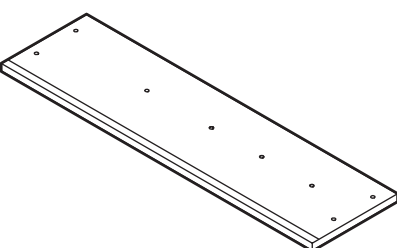
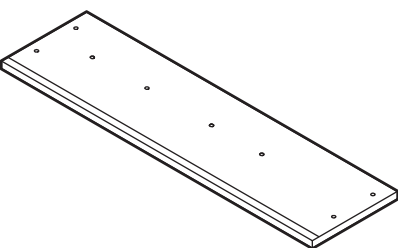
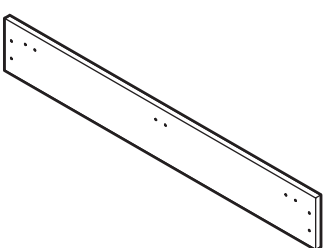
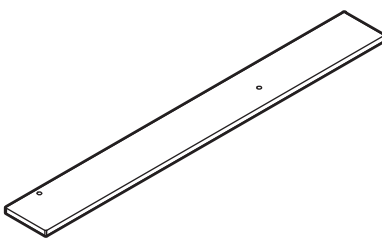
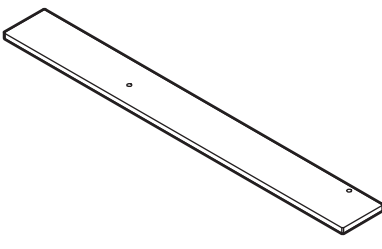
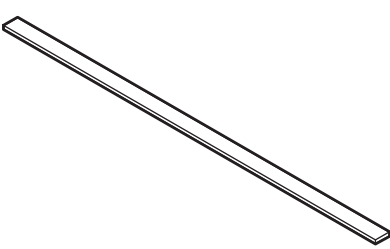
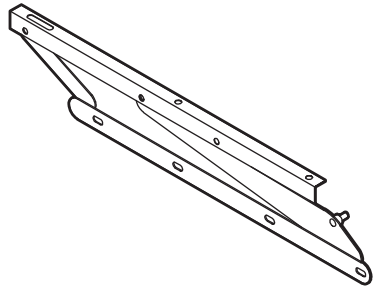
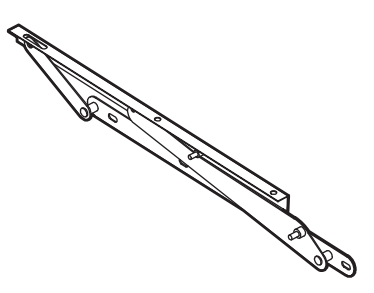
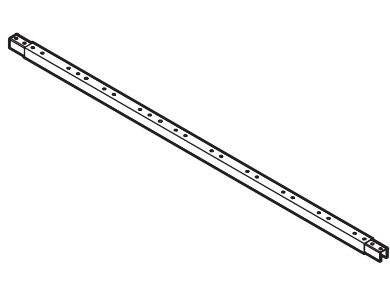
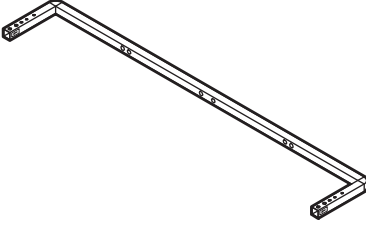
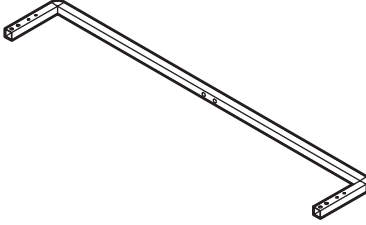
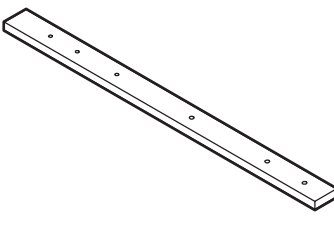
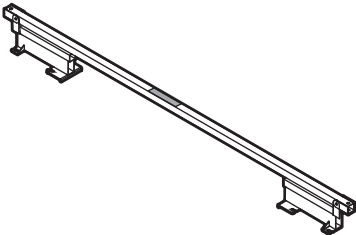
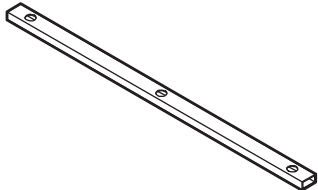
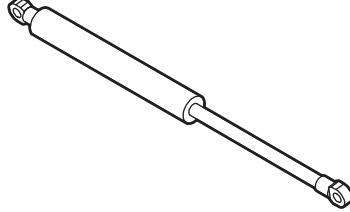
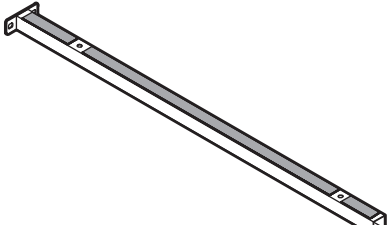
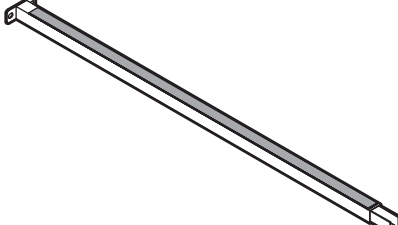
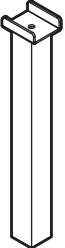
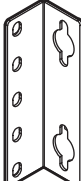
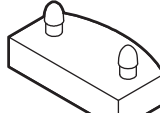

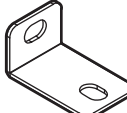
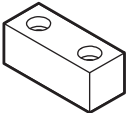
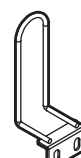

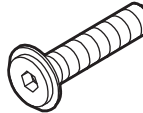
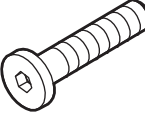
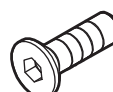


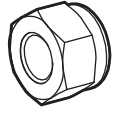
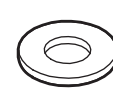

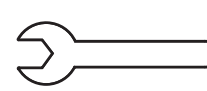


## DEAR CUSTOMER,

Thank you for choosing our product. Please read this manual carefully before assembling or using the product, to avoid damage caused by improper use. If the product is passed on to third parties, this manual has to be passed on along with the product. For any question don't hesitate to contact us.

# PARTS LIST

<b>A</b> 1× 	<b>B</b> 2× 	<b>C2</b> 2× 
<b>D3</b> 1× 	<b>D4</b> 1× 	<b>E</b> 1× 
<b>F1</b> 1× 	<b>F2</b> 1× 	<b>G2</b> 12× 
<b>H1</b> 1× 	<b>H2</b> 1× 	<b>I2</b> 2× 
<b>J3</b> 1× 	<b>J4</b> 1× 	<b>K</b> 2× 

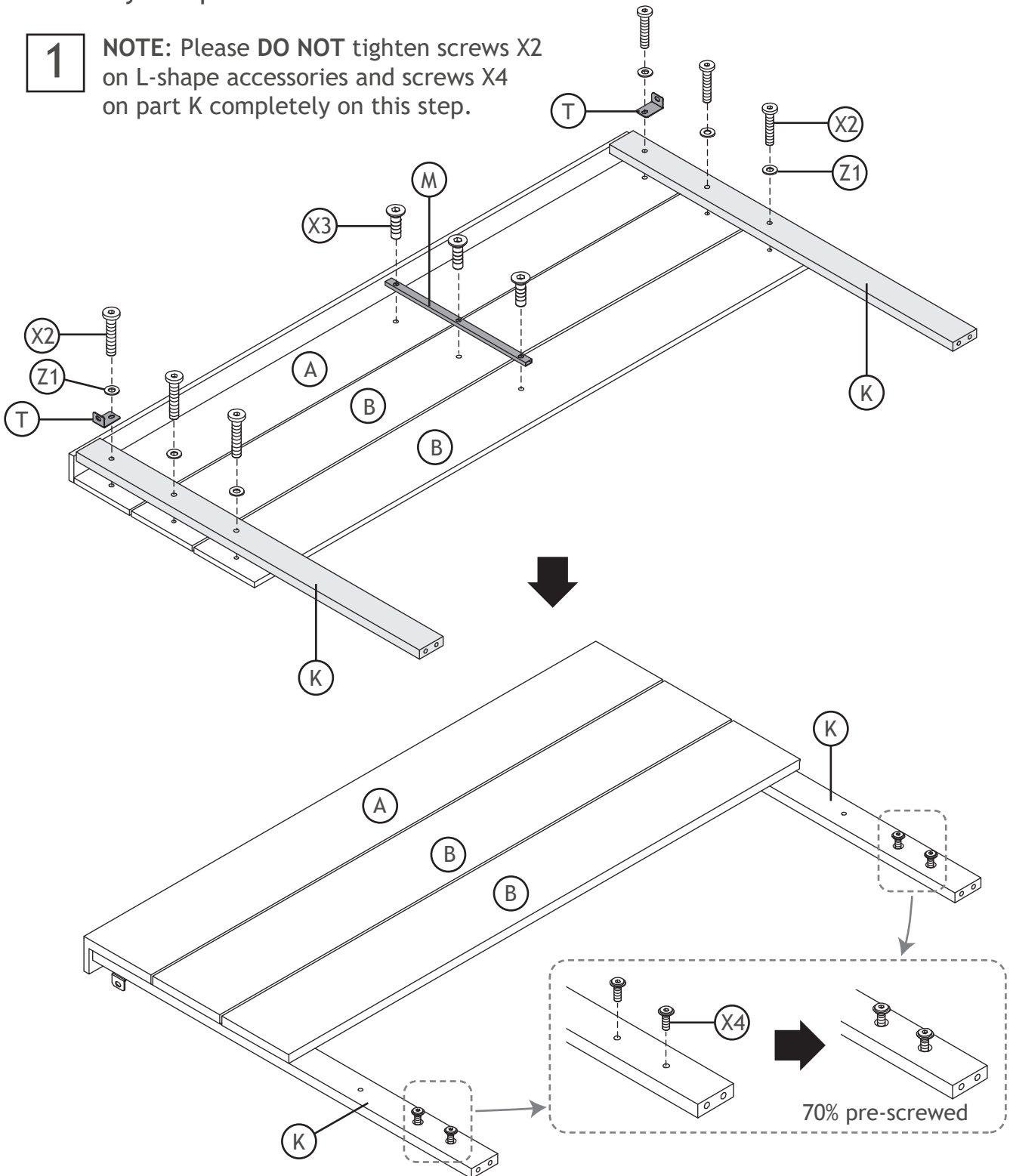
L2 	1×	M 	1×	N1 	2×		
O3 	1×	O4 	1×	P 	2×		
Q 	4×	R 	24×	S 	2×	T 	4×
U 	3×	V 	2×	W 	1×	X1 	6×
X2 	16×	X3 	3×	X4 	16×	X5 	40×
Y 	10×	Z1 	6×	Z2 	1×	Z3 	1×

# ASSEMBLY

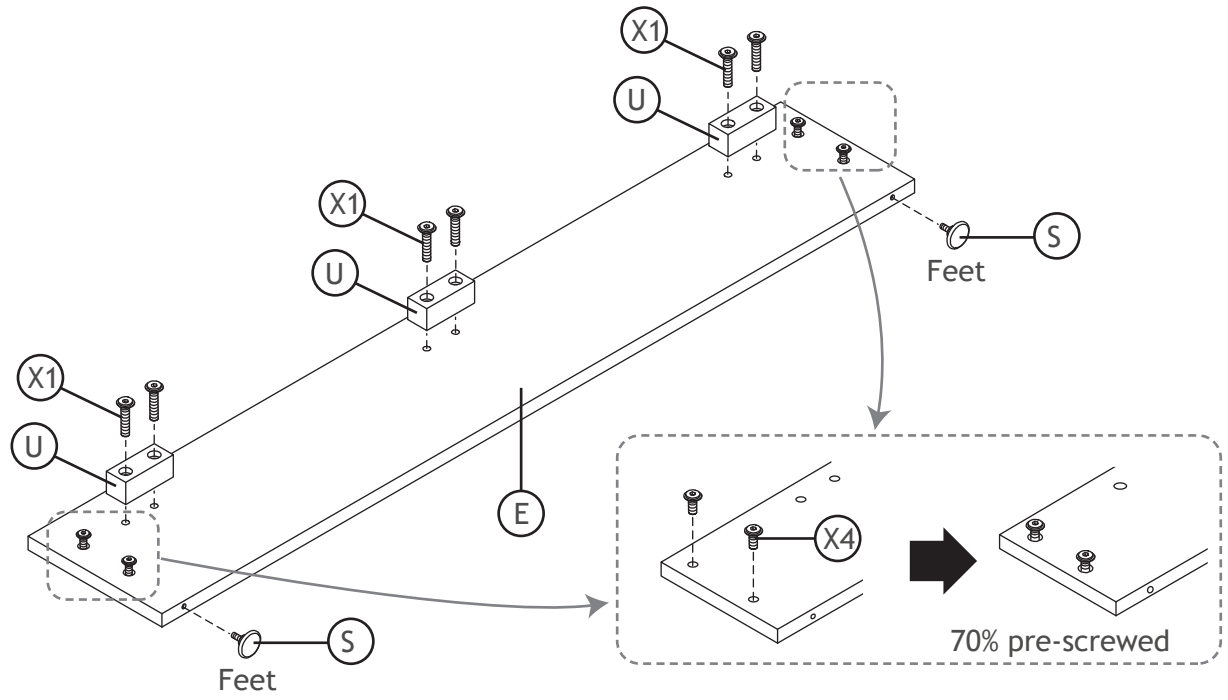
Before your installation, please make sure that you have all the parts listed on the manual. If you find something missing, stop installing and contact your supplier immediately.

**NOTE:** Please do not completely tighten all the hardware until the entire assembly is completed! Be sure to tighten all the hardware once the assembly completed.

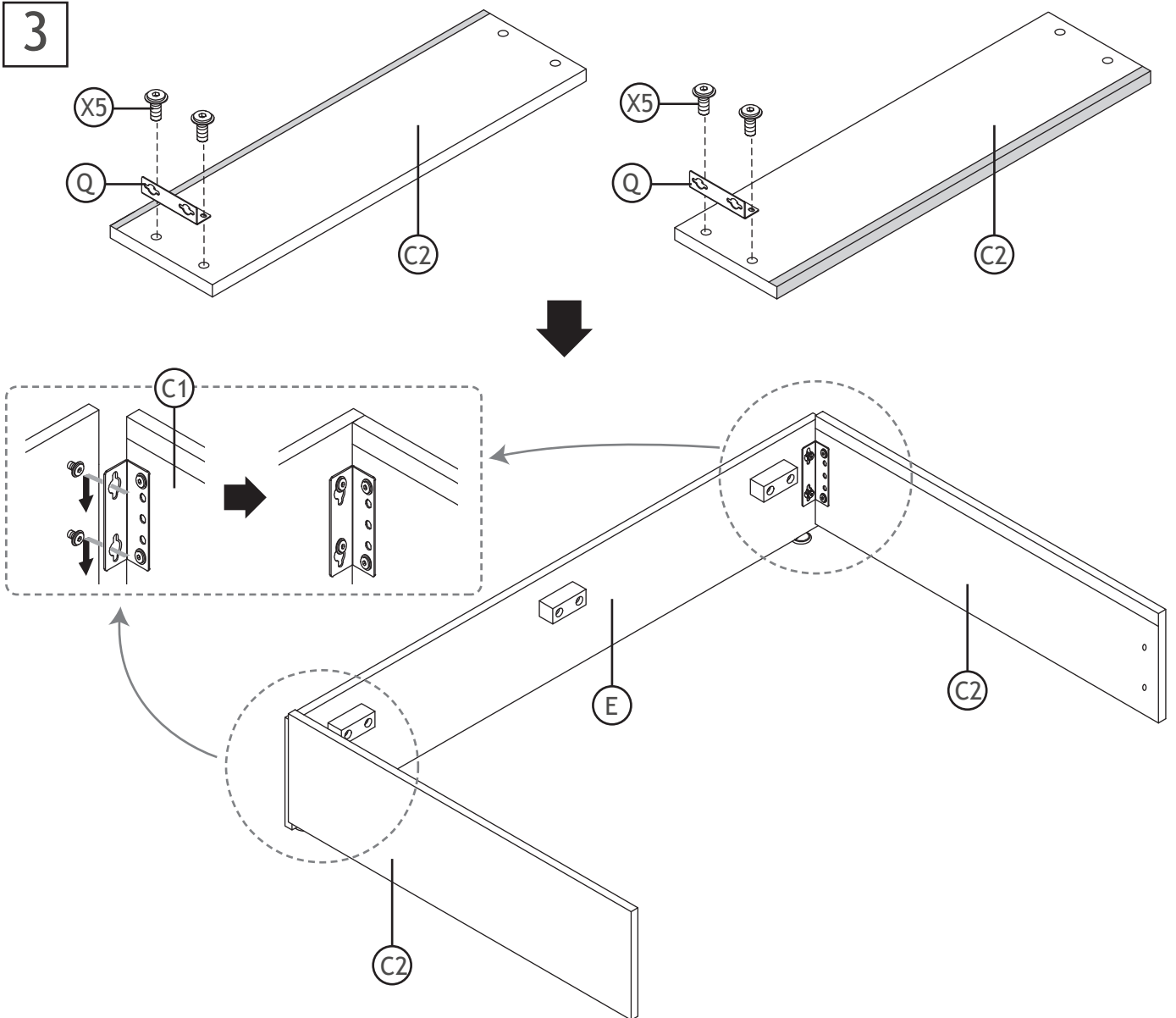
**1** **NOTE:** Please **DO NOT** tighten screws X2 on L-shape accessories and screws X4 on part K completely on this step.



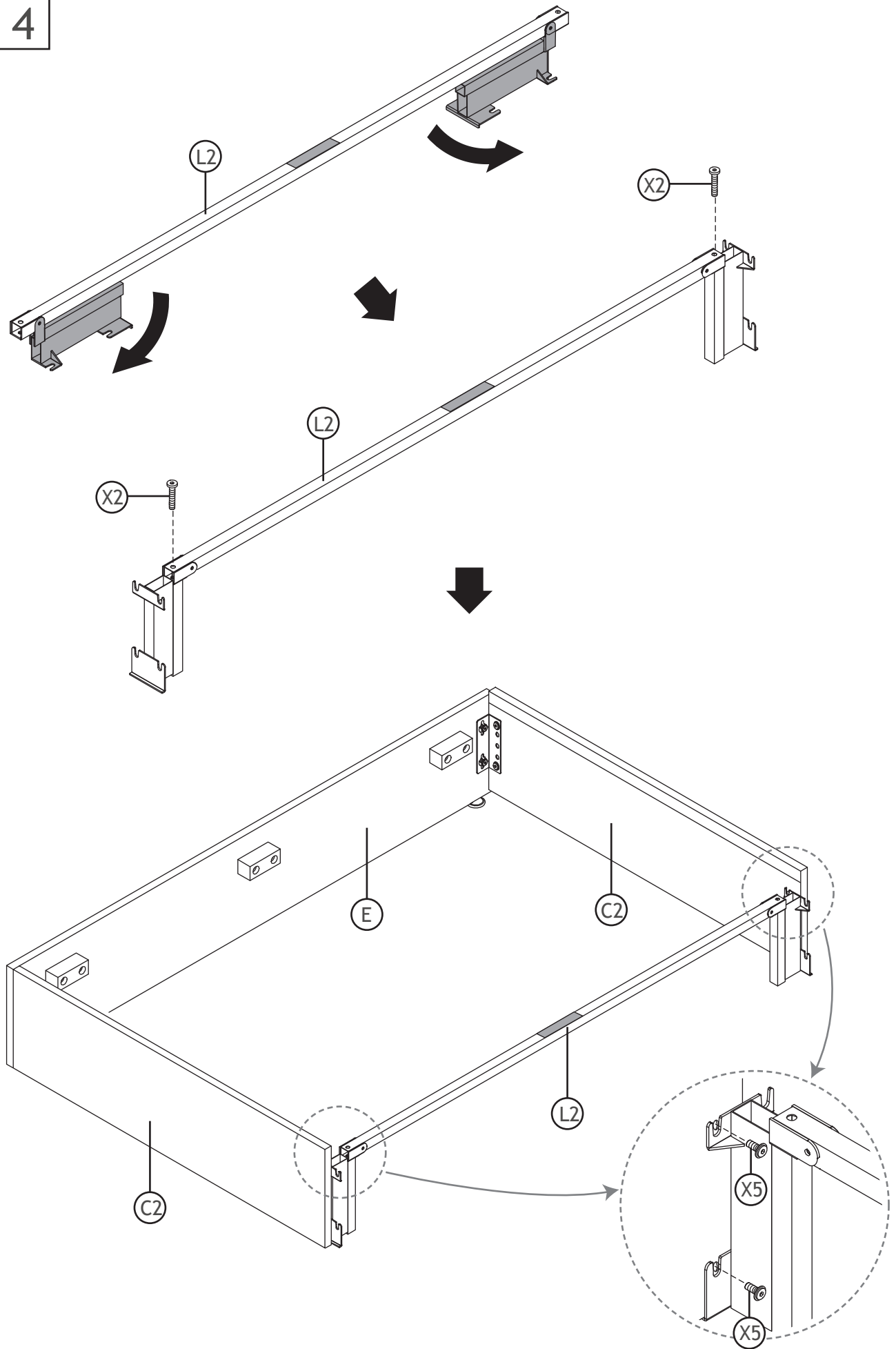
2



3

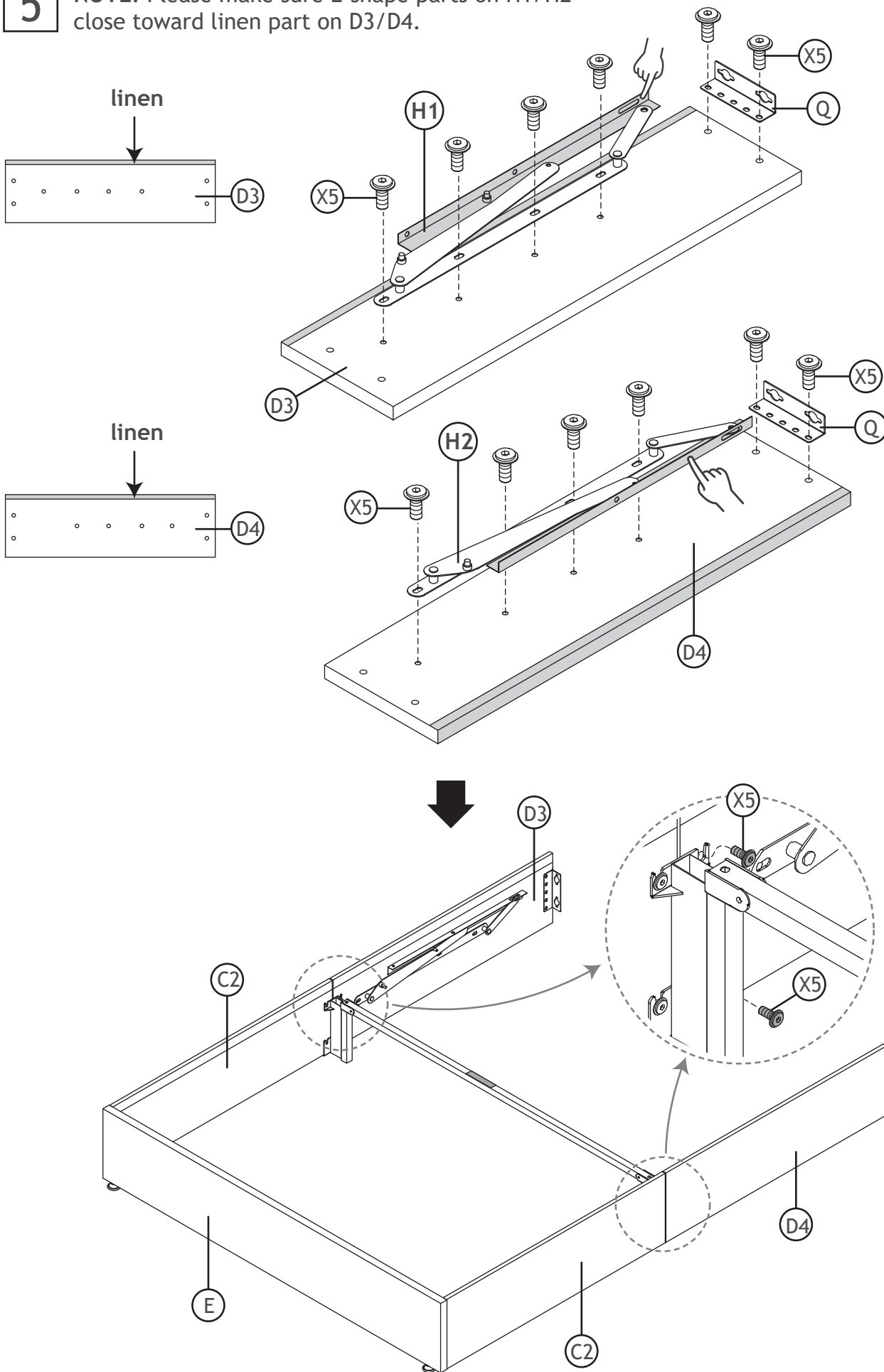


4

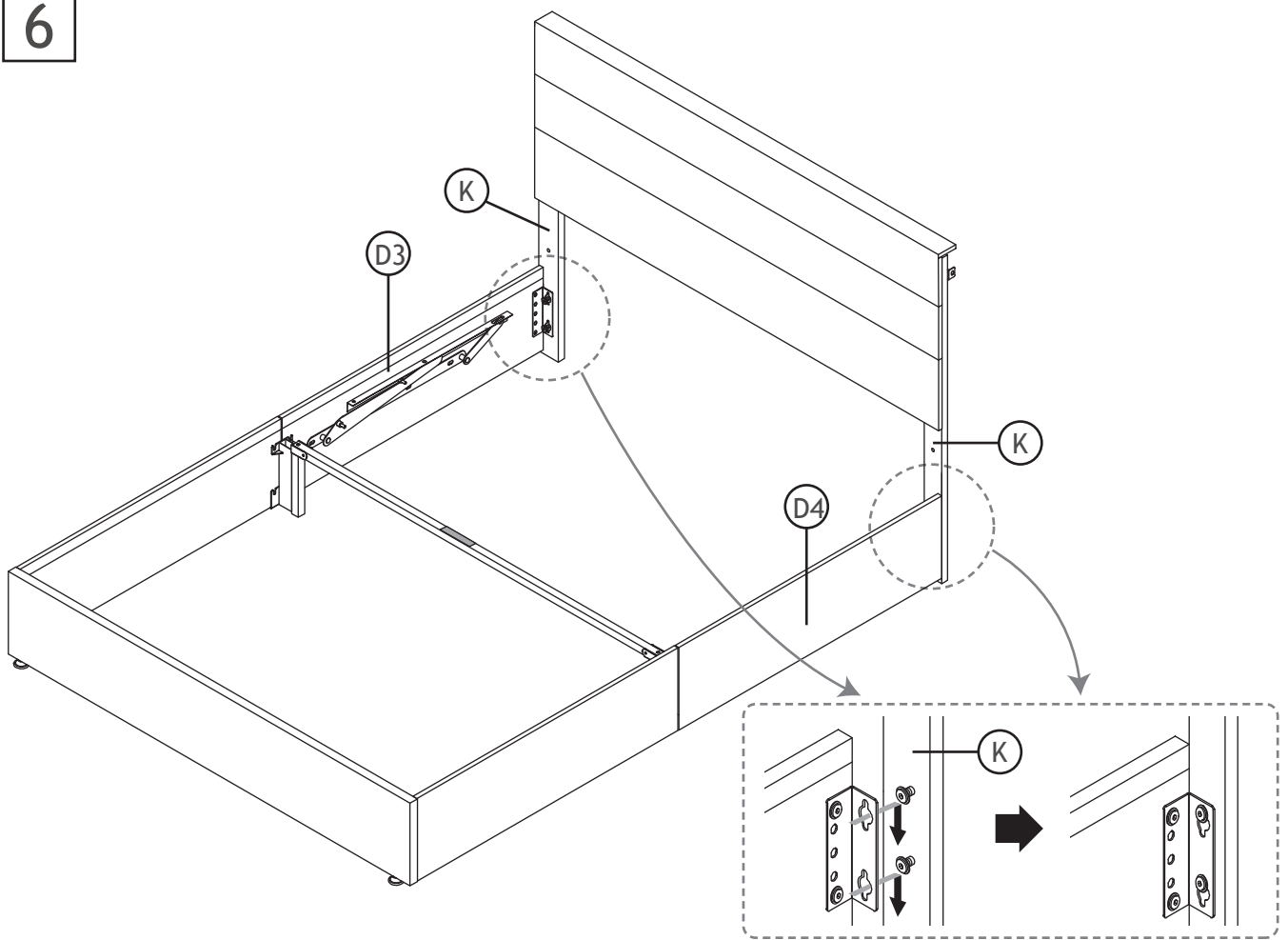


5

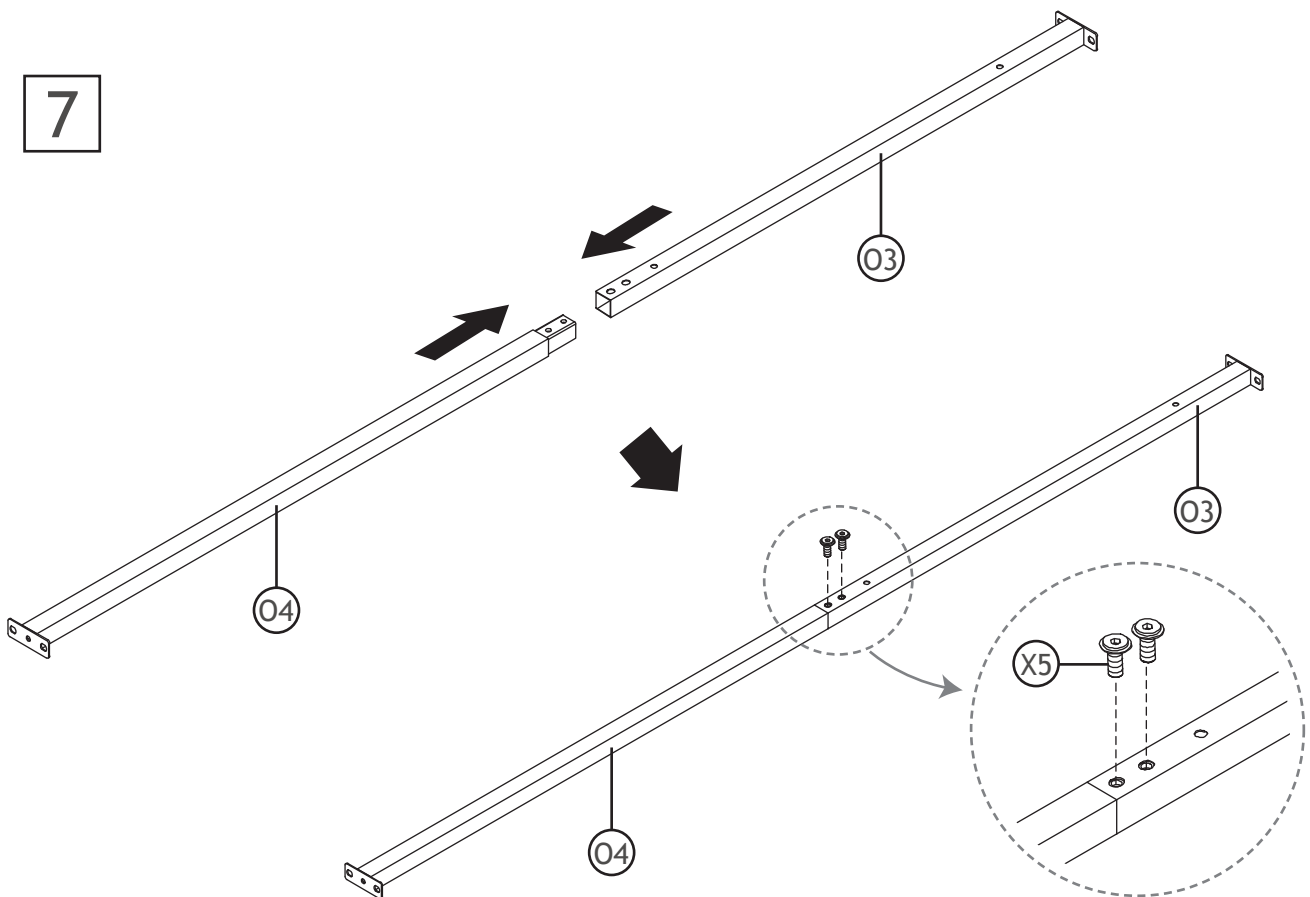
NOTE: Please make sure L-shape parts on H1/H2 close toward linen part on D3/D4.



6

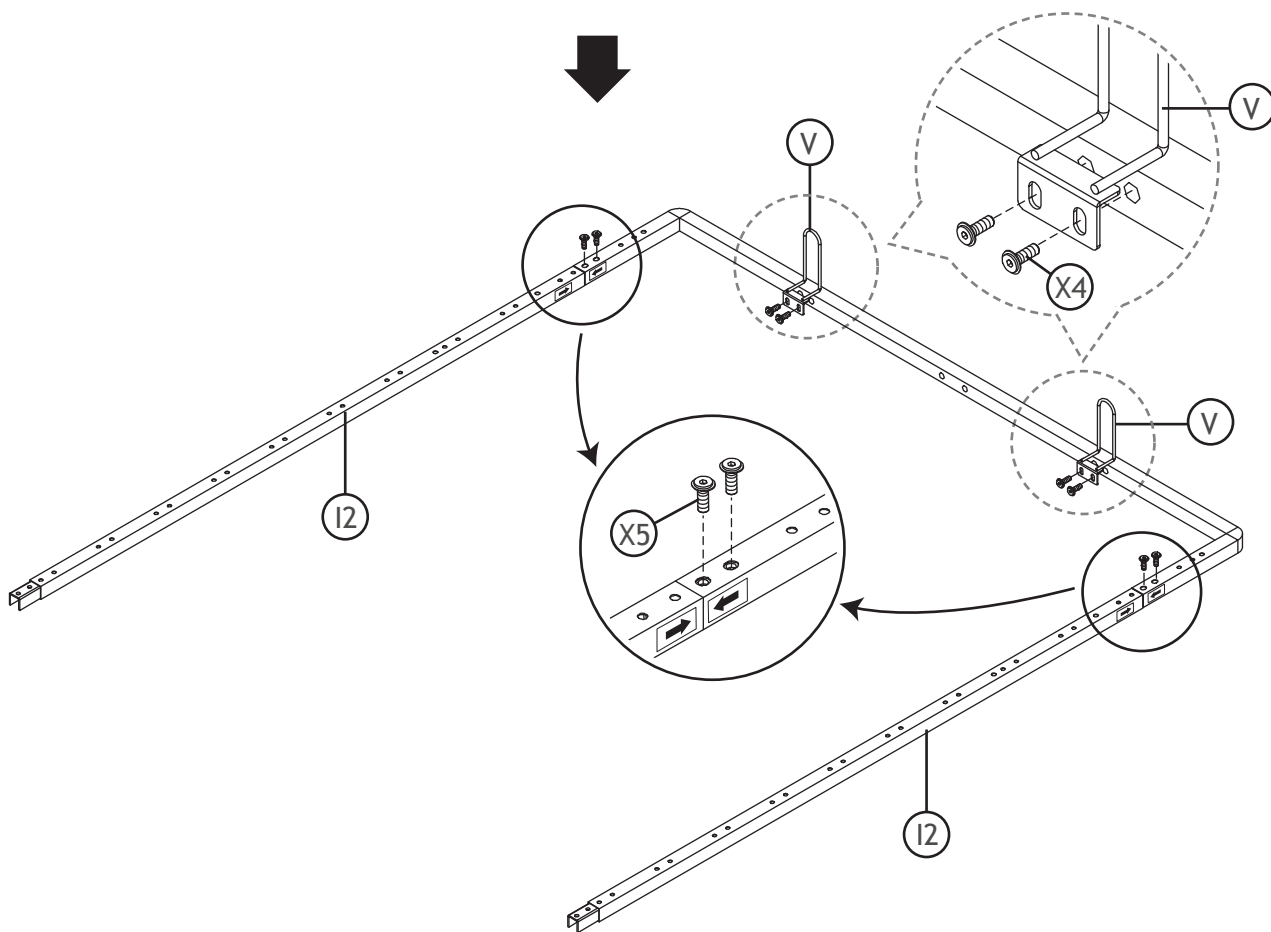
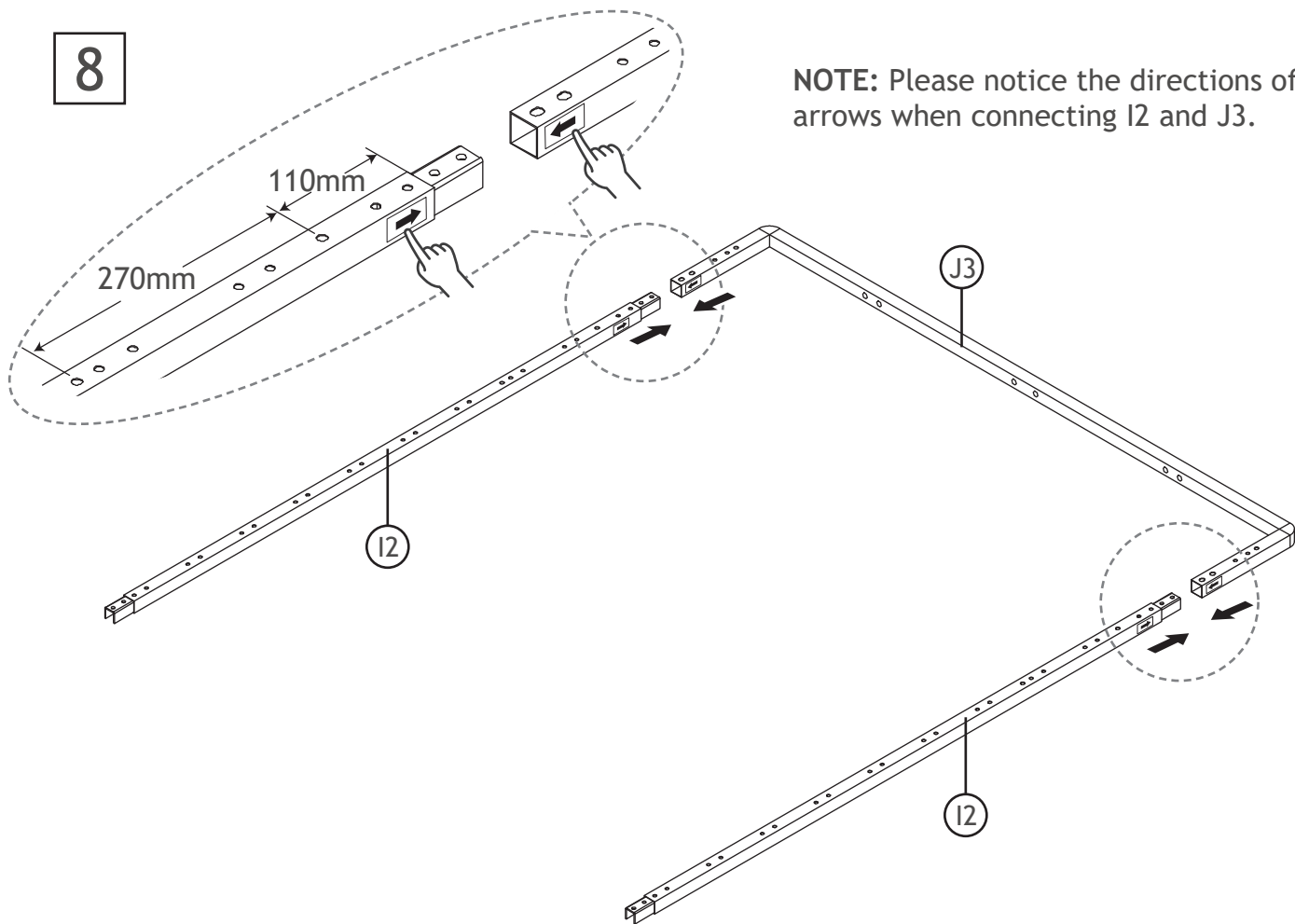


7



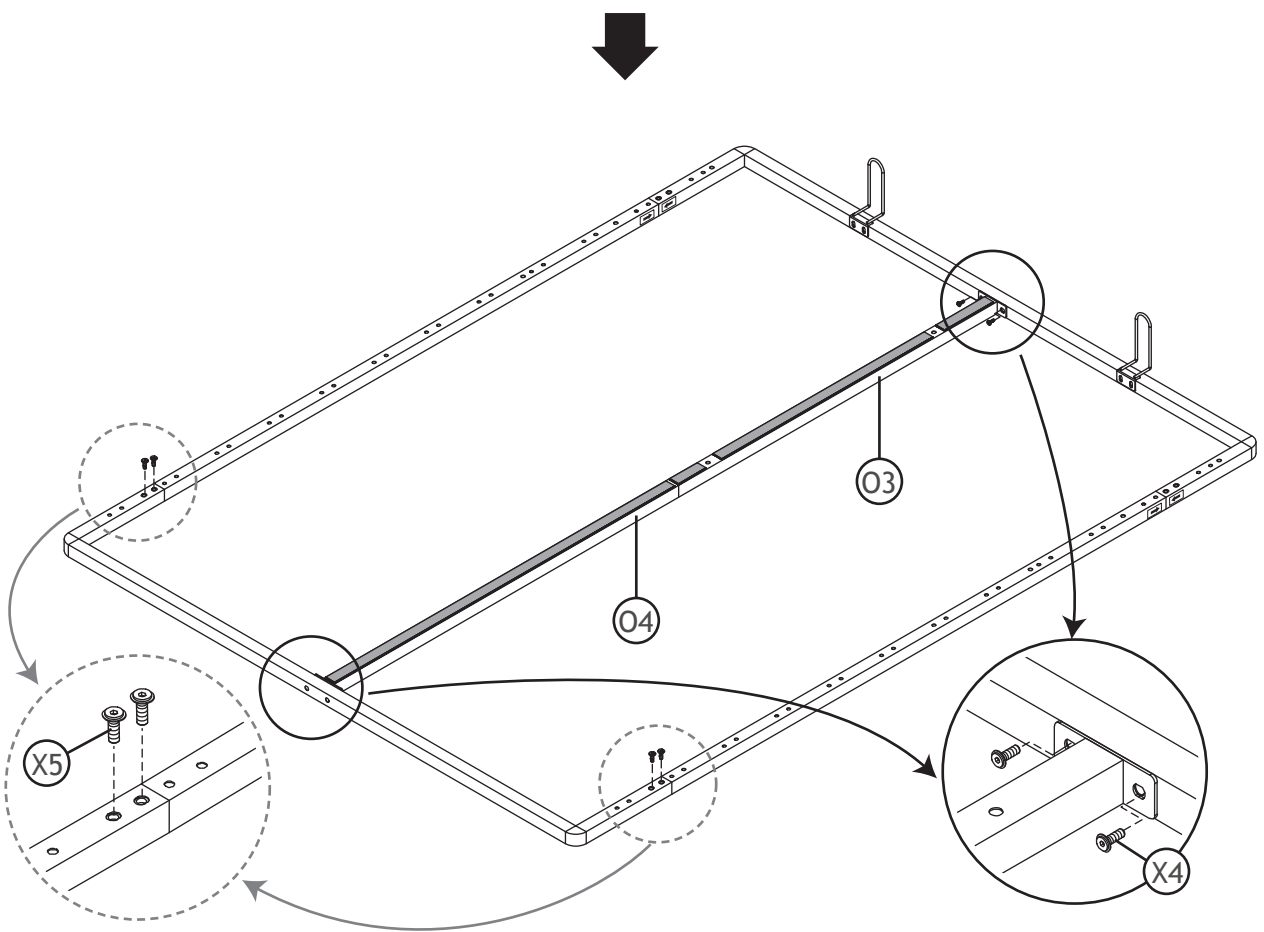
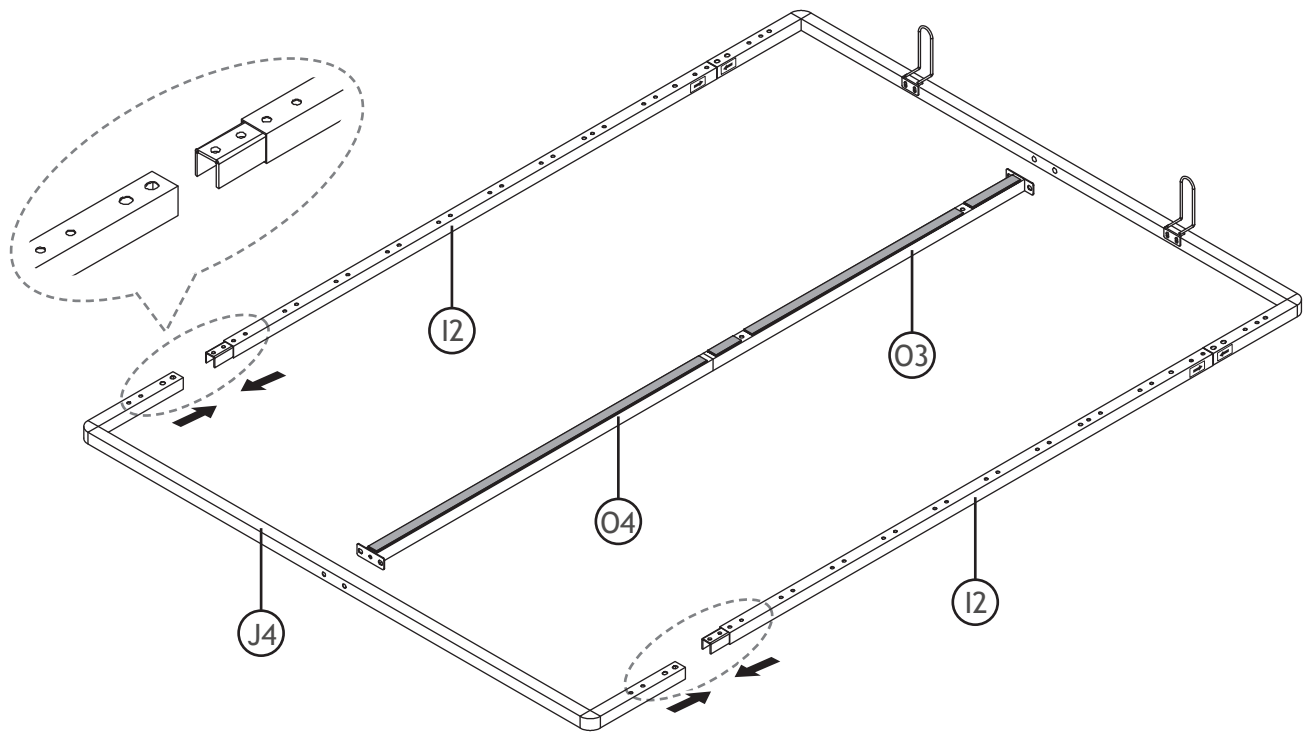
8

NOTE: Please notice the directions of arrows when connecting I2 and J3.



9

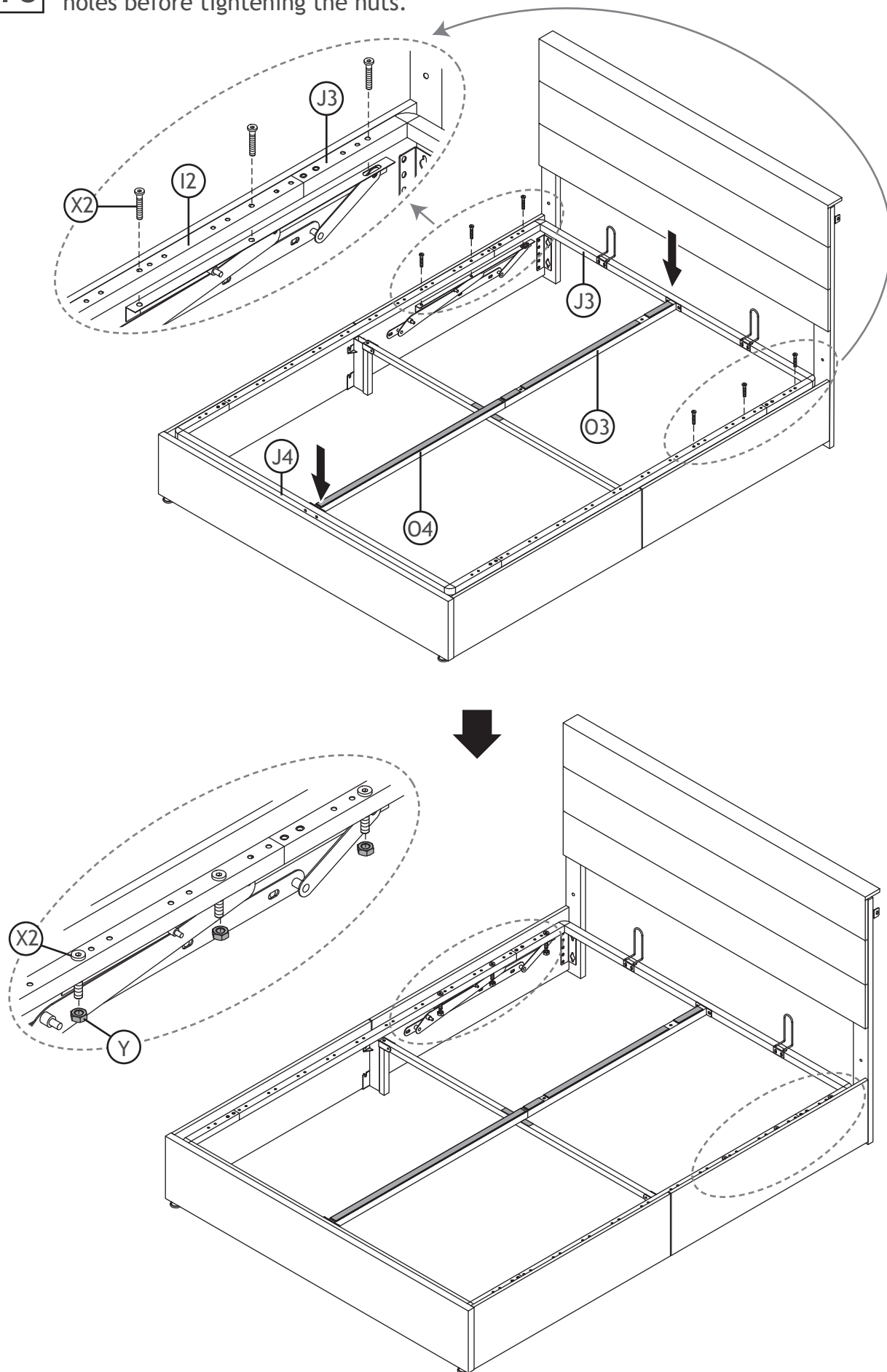
9



10

10

NOTE: Please put all the screws X2 into the holes before tightening the nuts.



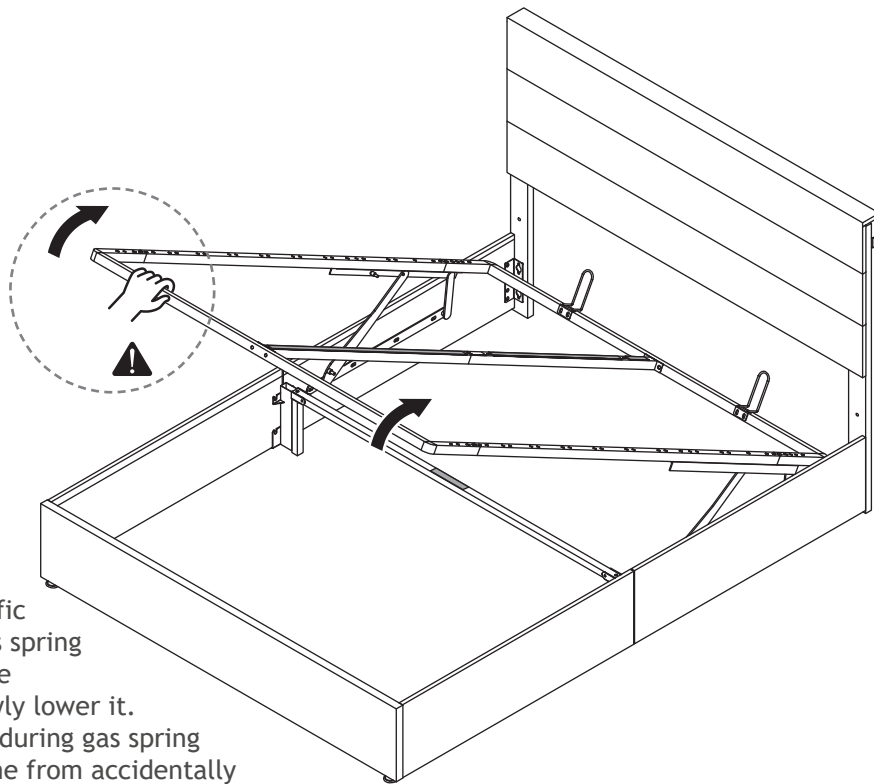
# Gas Spring Installation Precautions



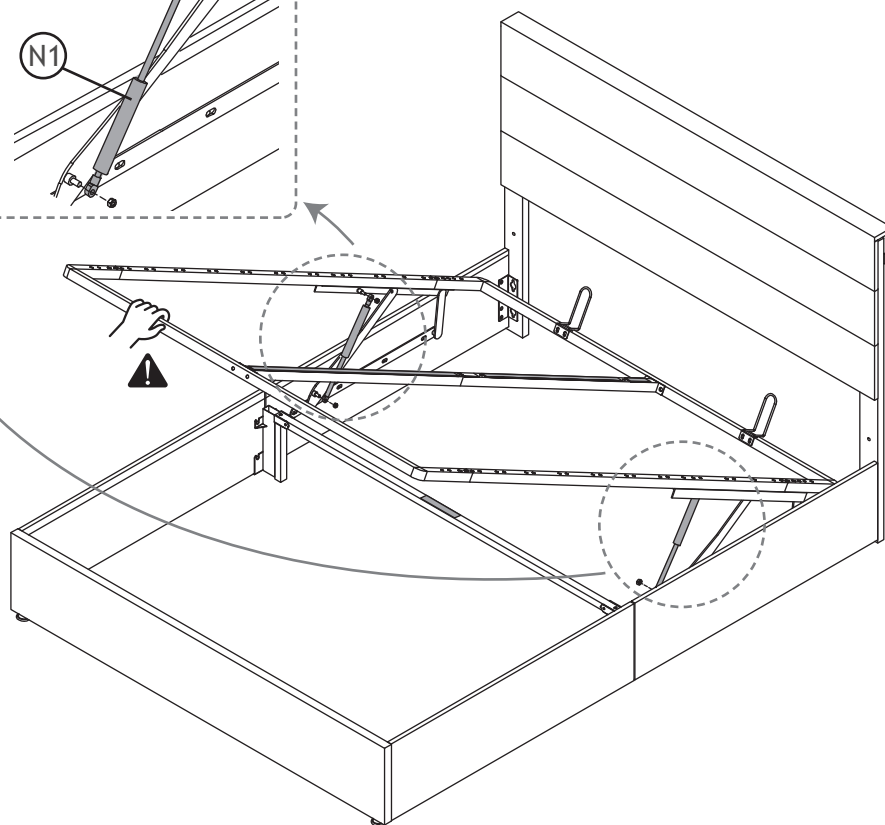
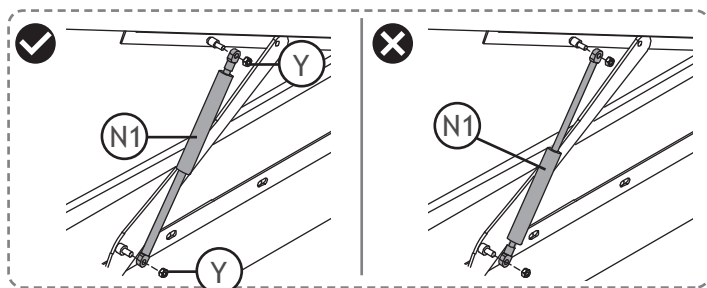
Two person installation

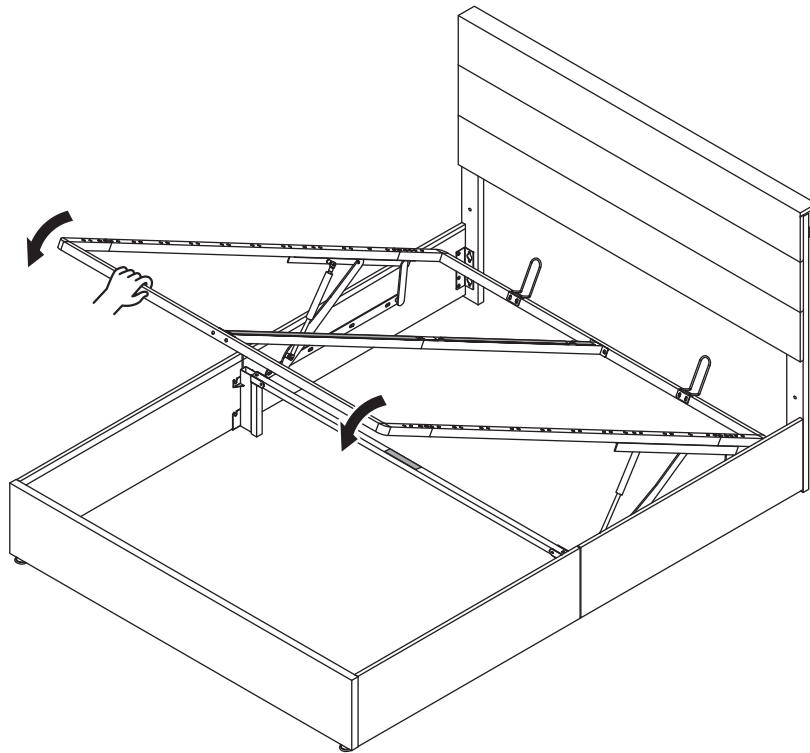
## ⚠ WARNING

To install the gas spring, one person should lift the metal frame to a specific height and hold it steady until the gas spring is fully installed. Ensure that there are no obstructions under the frame, slowly lower it. (Be careful not to release your hands during gas spring installation to prevent the metal frame from accidentally falling and injuring people or objects.)

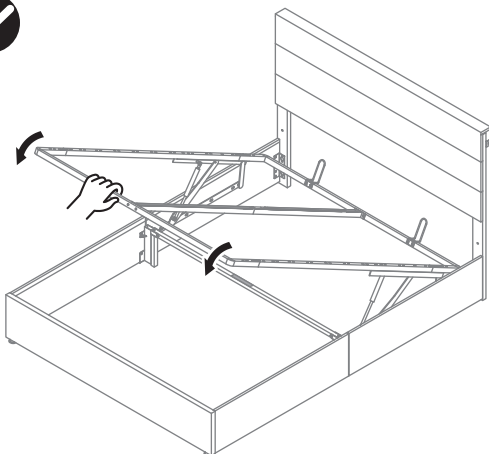


Please Notice the Direction of Part N1.

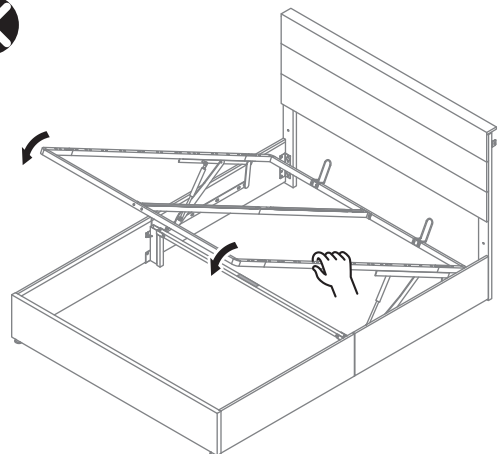




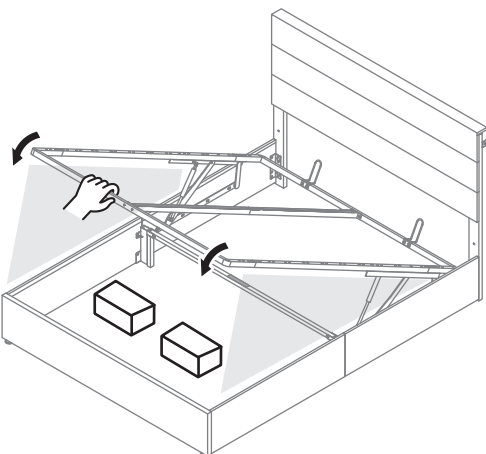
Precautions for closing the bed frame:



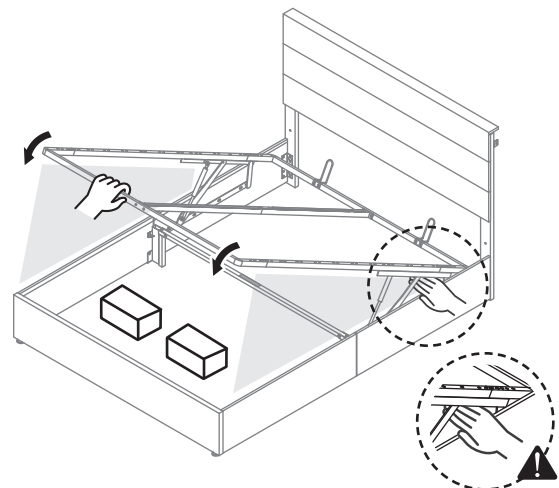
Operate from the foot of the bed



To avoid deformation of the metal frame, do not operate from the sides of the bed.

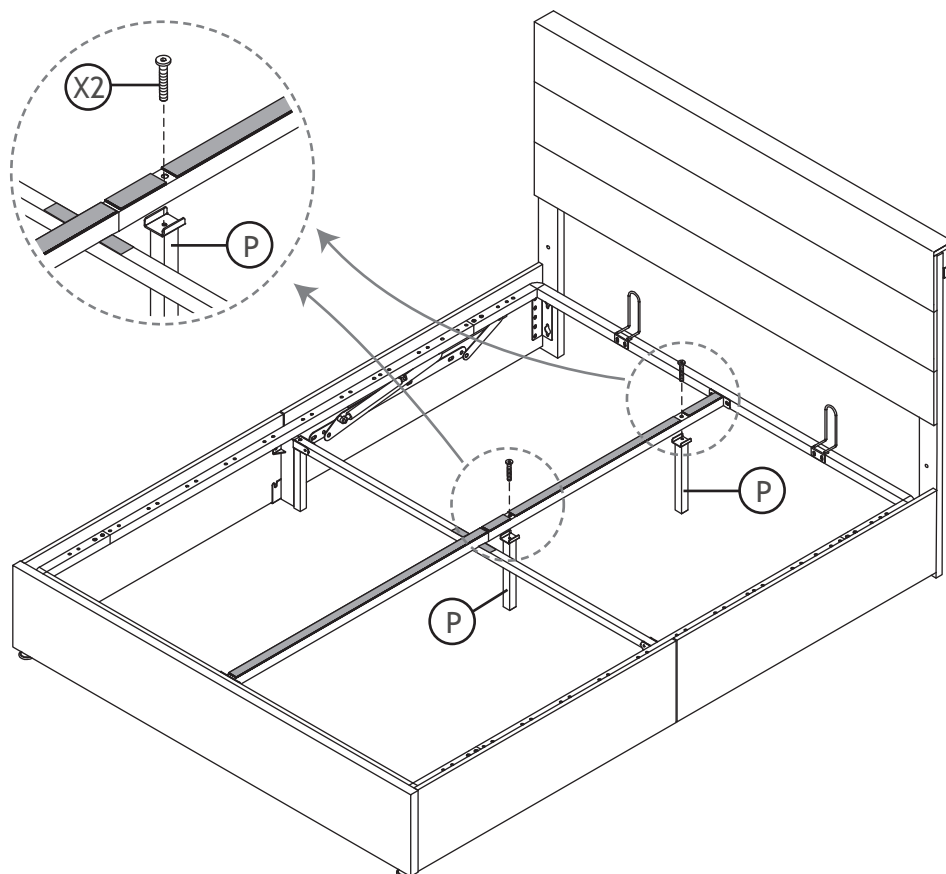


Make sure there are no obstructions under the metal frame to prevent injury.

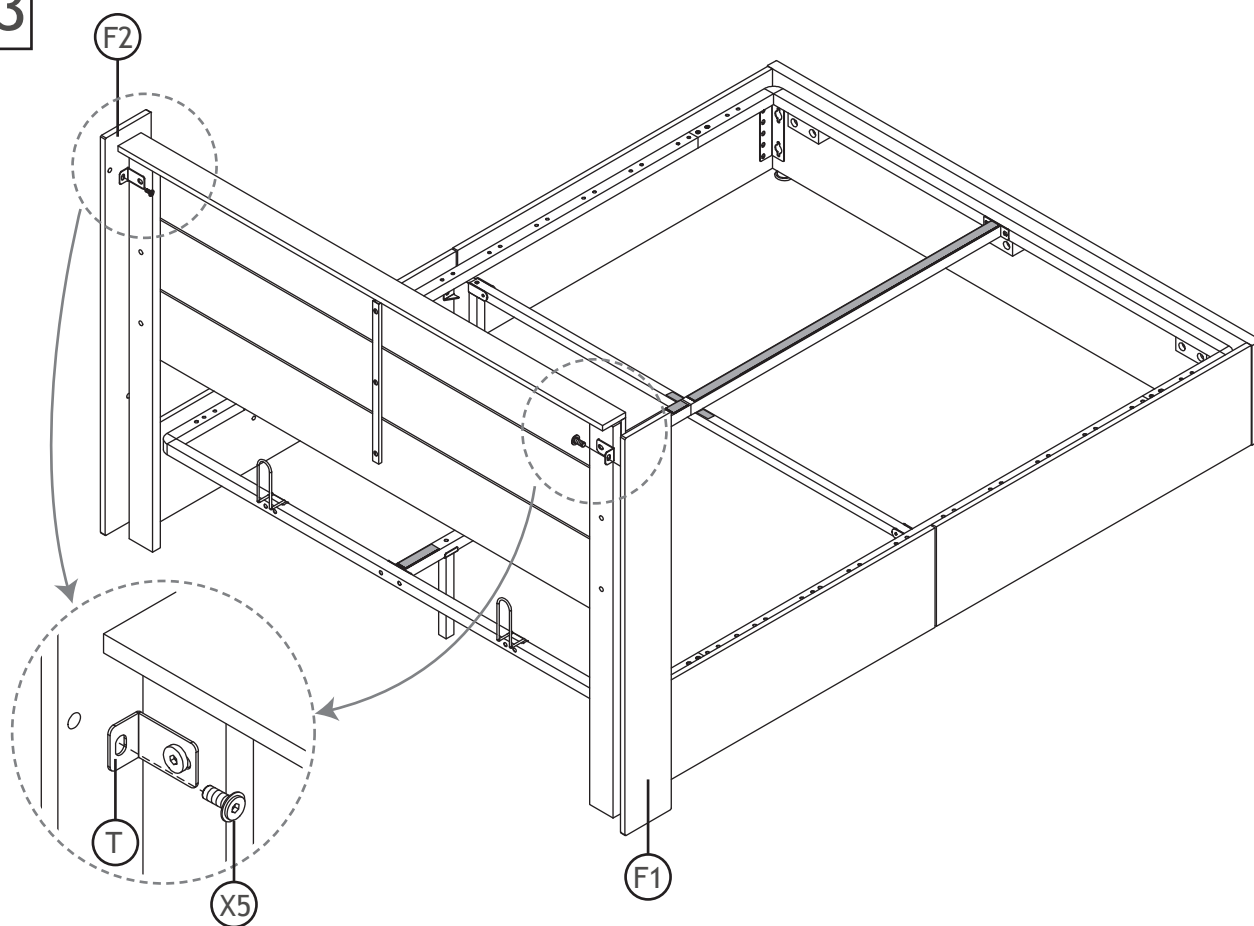


Make sure there are no obstructions under the metal frame to prevent injury.

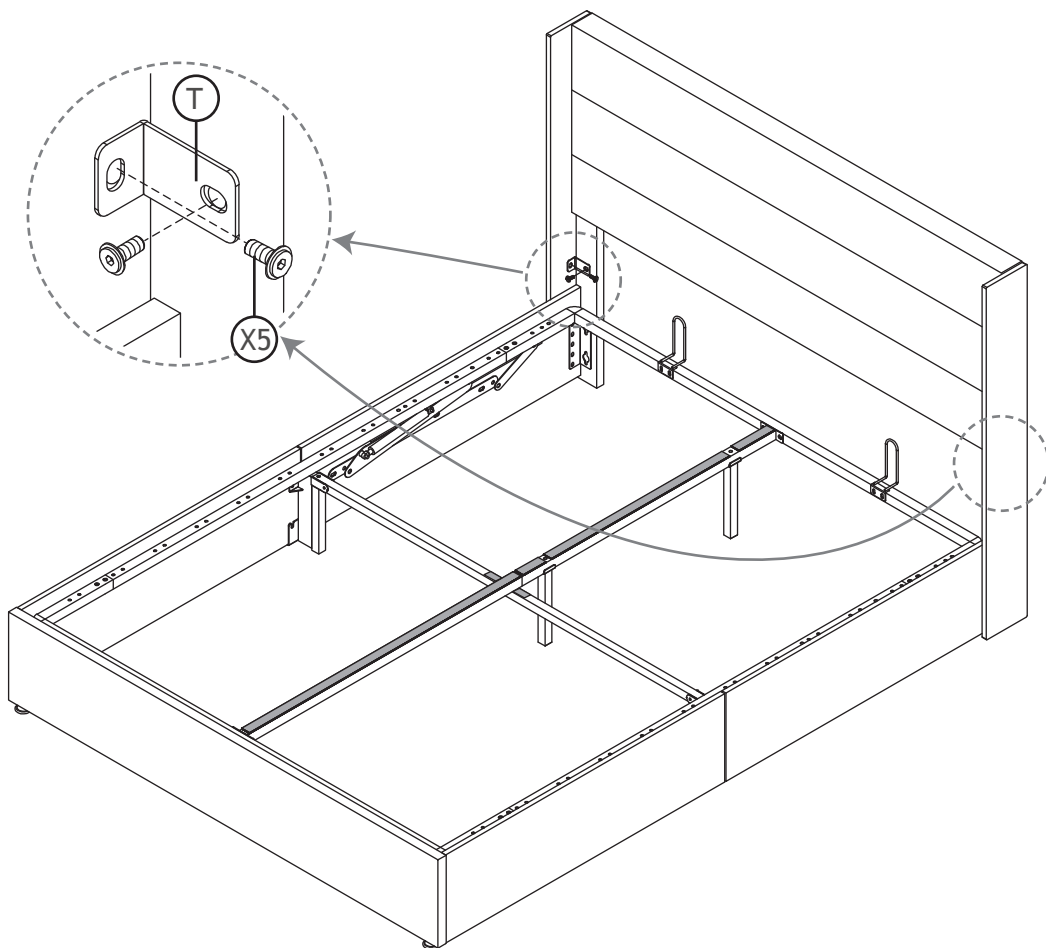
12



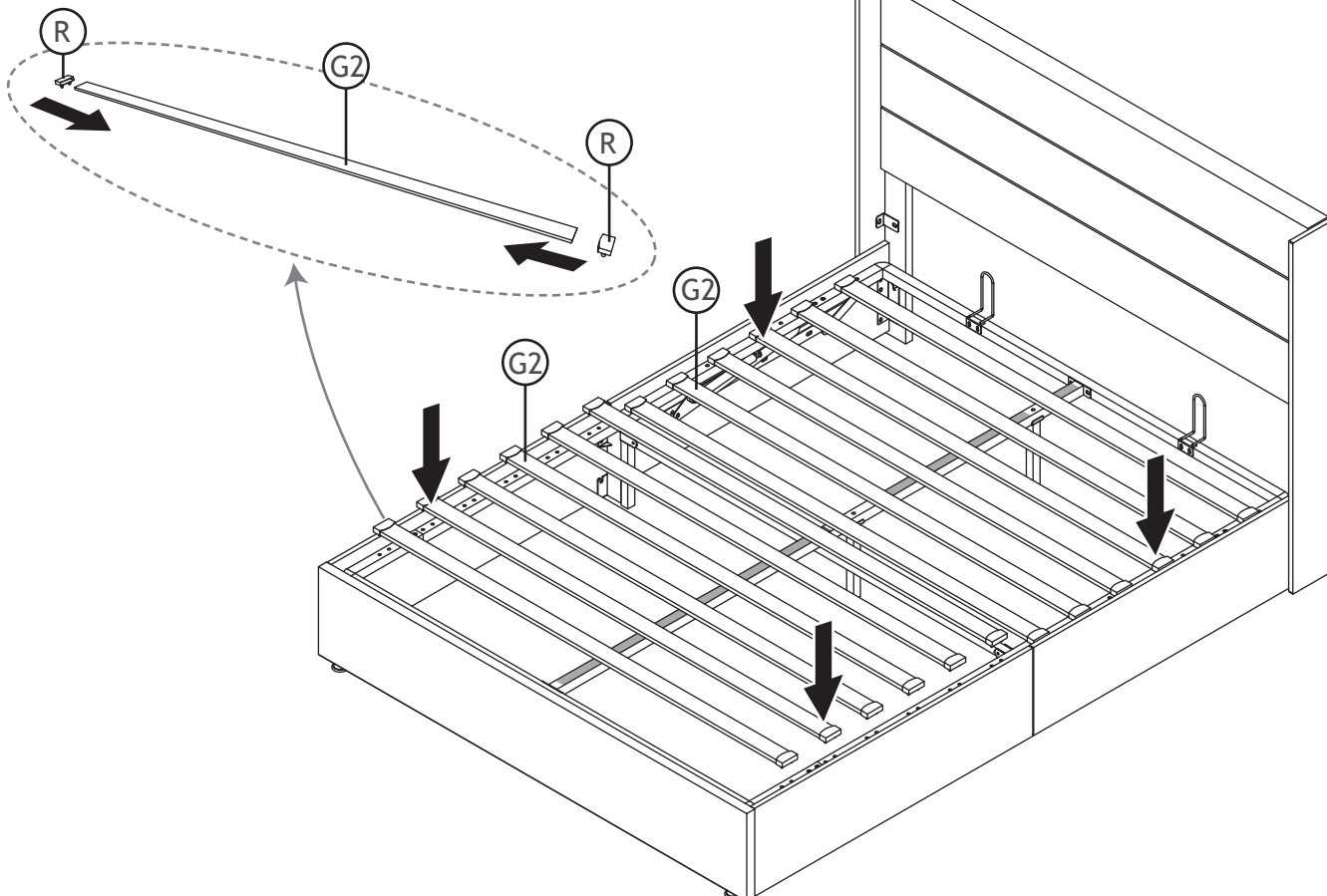
13

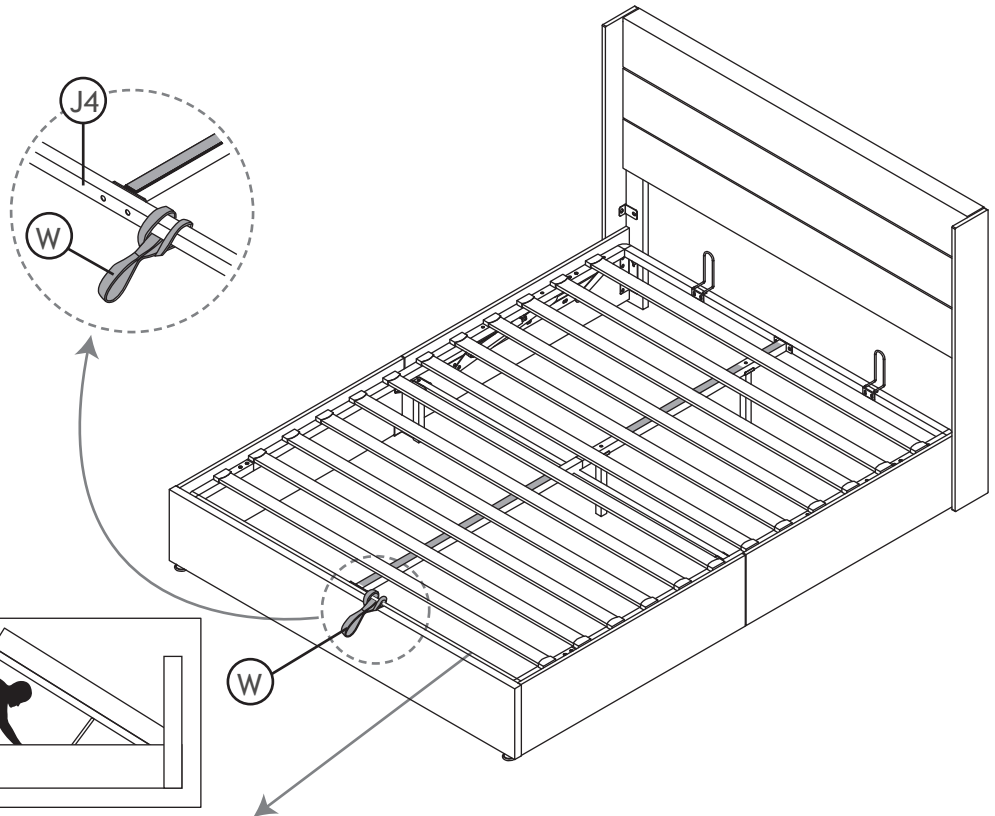


14



15





Warning Label:



- When lifting or lowering the bed frame, it can only support items weighing less than 110 pounds.
- When lifting or lowering the bed frame, keep a safe distance between the body and the frame to avoid injury.
- Ensure that there are no people or objects interfering with the bed's sides or footboard when lifting or lowering the bed frame to avoid any dangers.
- Before entering underneath the bed, make sure the bed frame is lifted to its highest position and confirm it will not drop after being released.

- When the bed frame is used flat, the load-bearing capacity of the bed frame is 800 pounds; when the bed frame is lifted, the load-bearing capacity is 110 pounds.
- When lifting the bed to use the storage function, please note that the maximum weight limit is 110 pounds, and the external force pressing is strictly prohibited to prevent the bed frame from falling and causing injury.

- When using the storage function, please ensure that the upper and lower areas of the bed are safe and free of any biological traces to prevent injury.