

OAK OSSO stool



General

Function	: Stool
Range	: Osso
Designer	: Grain & Green

Specifications

Ref	: 53033
Wood	: Solid oak*
Finishing	: Natural oak, oil finish
Assembly required	: No
FSC	: No
Made in	: Serbia

Measurements

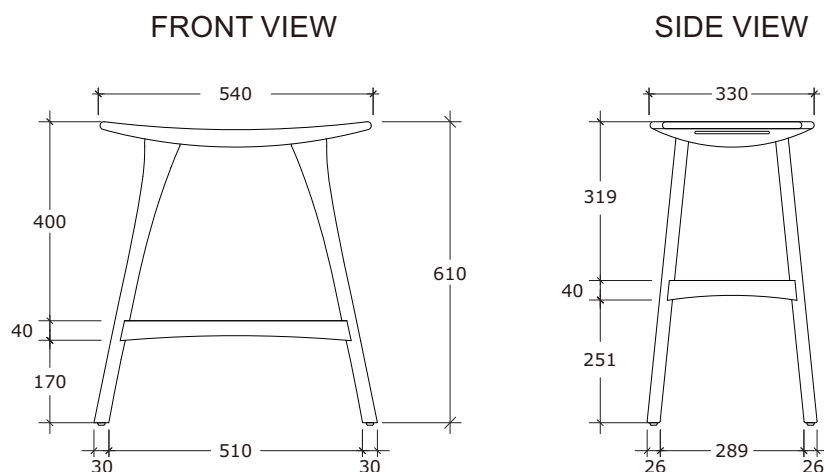
Dimension	: 50 cm / 32.5 cm / 45.6 cm
Weight	: 4.8 kg

Packaging

Box 1	: 53 cm / 37 cm / 50 cm
Weight Box 1	: 5.3 kg
Volume	: 0.098 cbm
# PC / Box	: 1

*Also available in black oak & natural walnut

Technical Drawing



Ethnicraft®

Maintenance

For our collection we only use oak sourced from managed forests in Europe. Our oak furniture is finished with a pigmented hardwax oil. This is protective finish forms a natural coating, repelling most common substances and fluids, but is no foolproof guarantee against stains.

For daily care



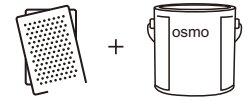
- For regular dusting, use a dry, non-fluffy cloth.
- For cleaning, use a damp sponge or cloth (not too wet!) with a mild solution of water and natural soap (no detergent).

Cleaning & refreshing the surface



- For refreshing the surface of the furniture when the wood starts to feel dry or for removing stains, Ethnicraft recommends Osmo Liquid Wax Cleaner (3029). Do not use this product daily. The Liquid Wax Cleaner is no guarantee against stains.
- Not applicable to the Blackstone Ellipse.

Stubborn stains & repairs



- Through time and depending on wear, the original hardwax coating on the furniture may need to be renewed. Make sure the surface is clean and dry. Use extra fine sand paper (minimum 320 grit) and work in the direction of the wood grain, then apply the Osmo Hardwax Oil Natural (3041). The oil protection is no guarantee against stains.

Lifestyle images