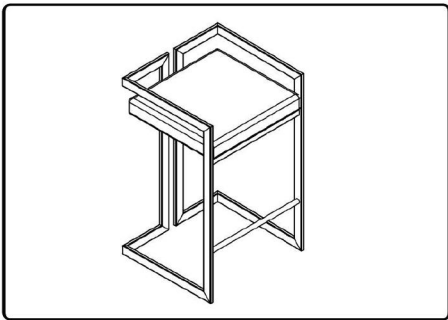


ASSEMBLY INSTRUCTIONS



+ **Do Not Use Power Tools**



+ **Suggested Adults**



NOTE:

- 1 Read instructions cover to cover.
- 2 Save all packaging until assembly is completed.

1 IMPORTANT SAFETY INFORMATION

Do not assemble the product if any of the following parts arrived damaged:

Part# ① - Seat with Base

Part# ② - Bar

Do not assemble if any of the following Hardware parts are missing:

Part# A - Bolt (M6*15) 2PCS

Part# B - Allen wrench (4mm) 1PC

2 IMPORTANT ASSEMBLY INFORMATION

Assembly Step If loosening persists, please make sure to tighten all the bolts periodically, or use a thread locker adhesive.

+ Parts Included

① Seat with Base 1PC



② Bar 1PC

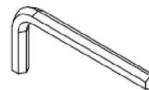


+ Hardware Included

A Bolt (M6*15)
2PCS



B Allen wrench (4mm)
1PC



ASSEMBLY INSTRUCTIONS

1

