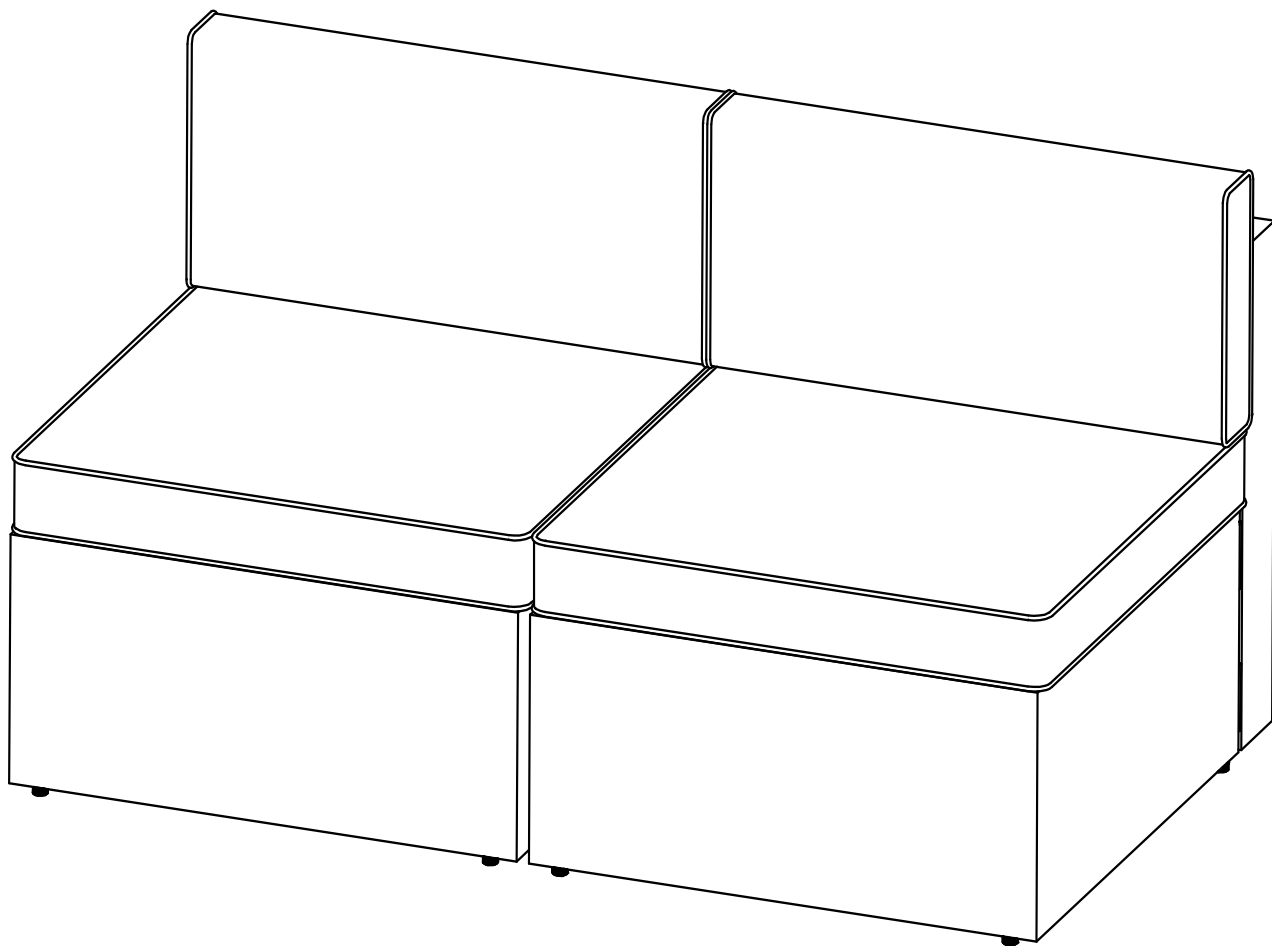
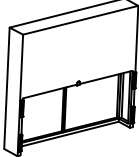
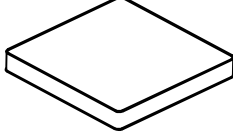
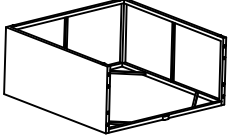

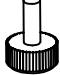
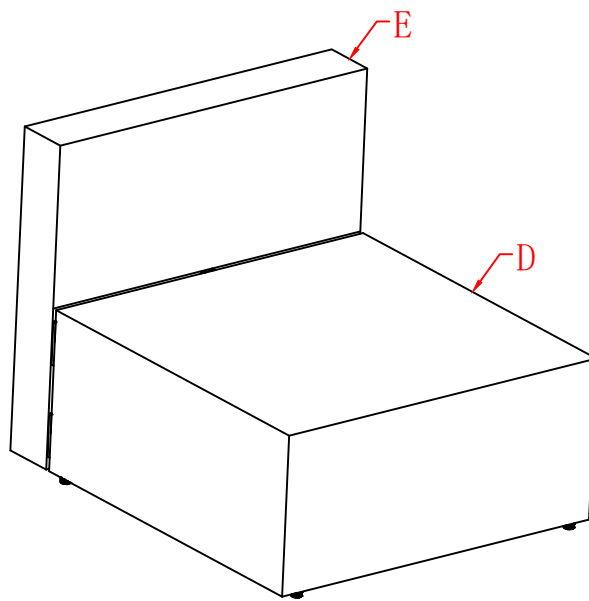


ASSEMBLY INSTRUCTIONS



1. When assembling, please lay the parts flat and press it down on the opening of the sliding kit to prevent the sofa rattan from being scratched
2. When disassembling, please pull out the accessories slowly to avoid the sofa rattan being scratched

| | | | | | |
|---|---|----|---|---|---|
| D |  | 2 | V |  63*63*8CM | 2 |
| E |  | 2 | N |  63*29*8CM | 2 |
| J |  | 12 | | | |

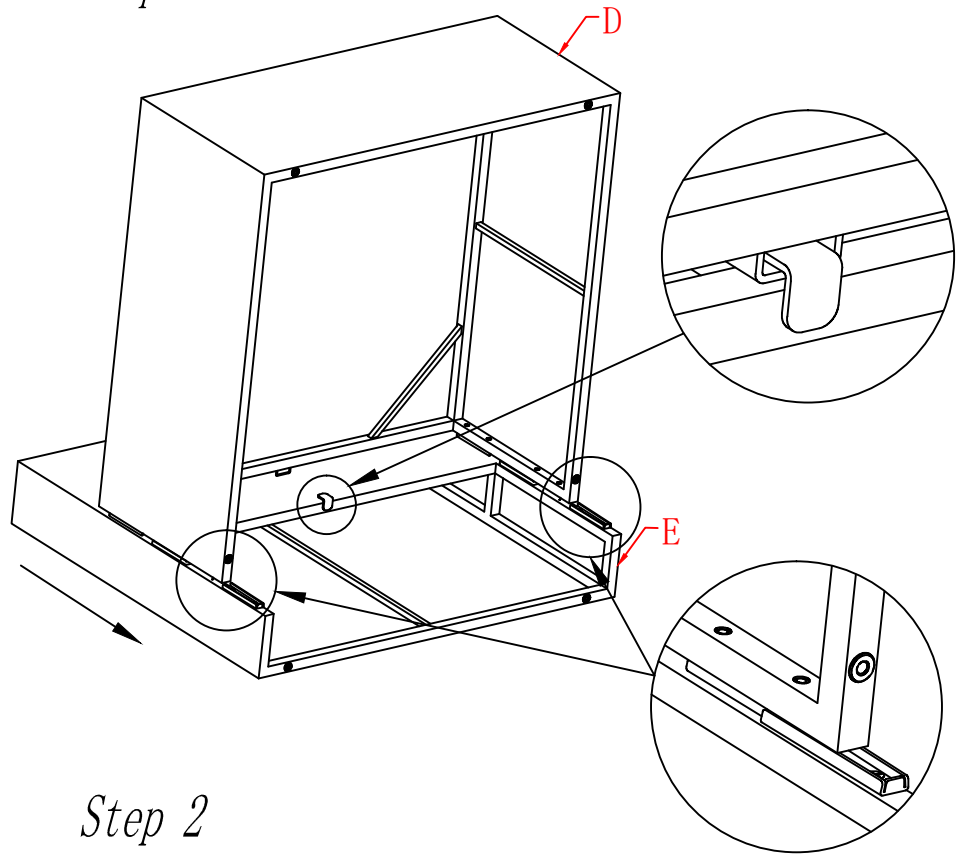


Notice:

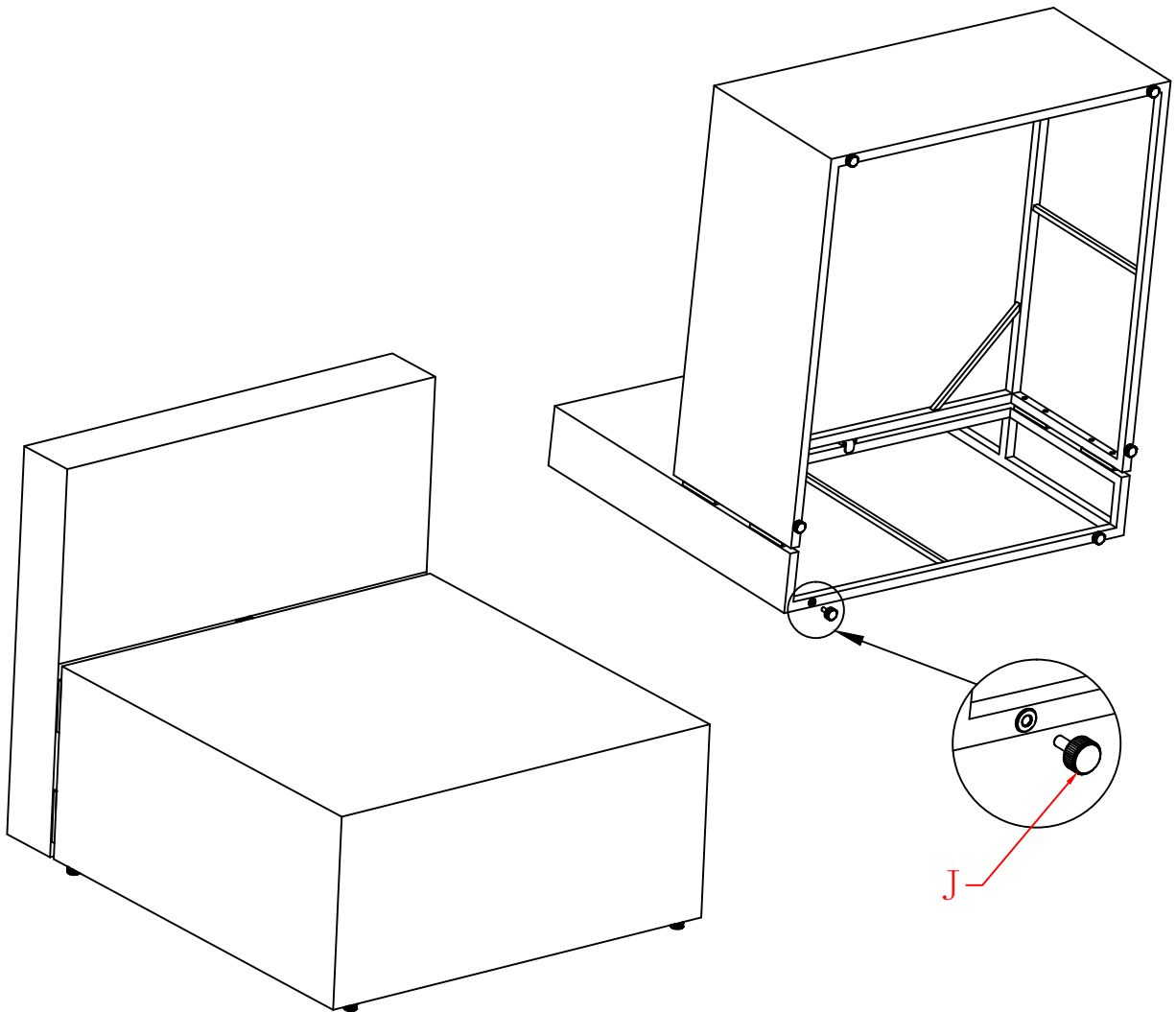
1. Remove the sponge from the cushion when washing.
2. Hand wash only. The washing machine and brush harm the fabric.



Step 1



Step 2



1

The cushion can be fastened to the rattan with the effective horn button.



2

Open the rattan and fasten the horn button to a chosen position.



3

Attached to a spare tape, the horn button allows the cushion to move freely.



4

Contact us for any further problems concerning the item.

