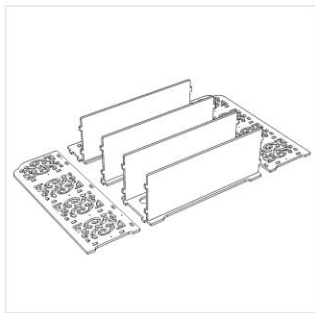
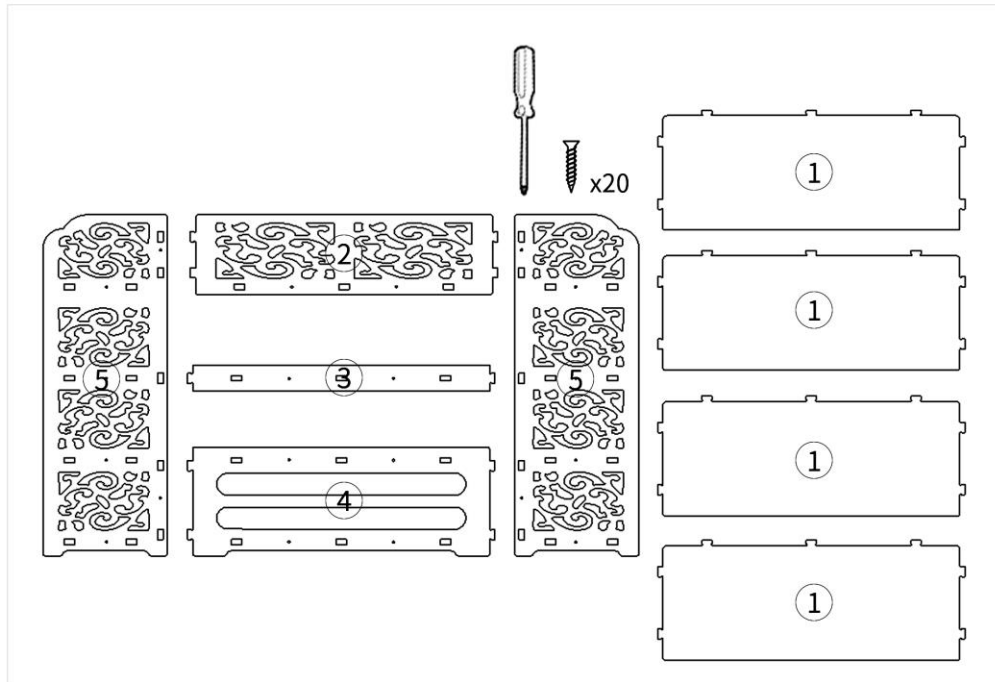
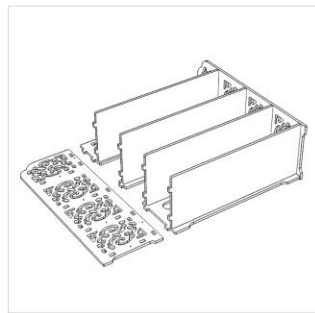


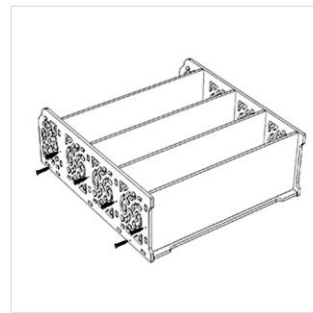
# INSTALLATION STEPS



1 First install the No. 1 board on the No. 2 board, No. 3 board, No. 4 board.



2 Connect the No. 5 board to the product of the previous step.



3 Repeat the previous step for the 5th plate and install it as shown. Then fix the product with screws.



4 As shown in the figure, the entire product has been installed.