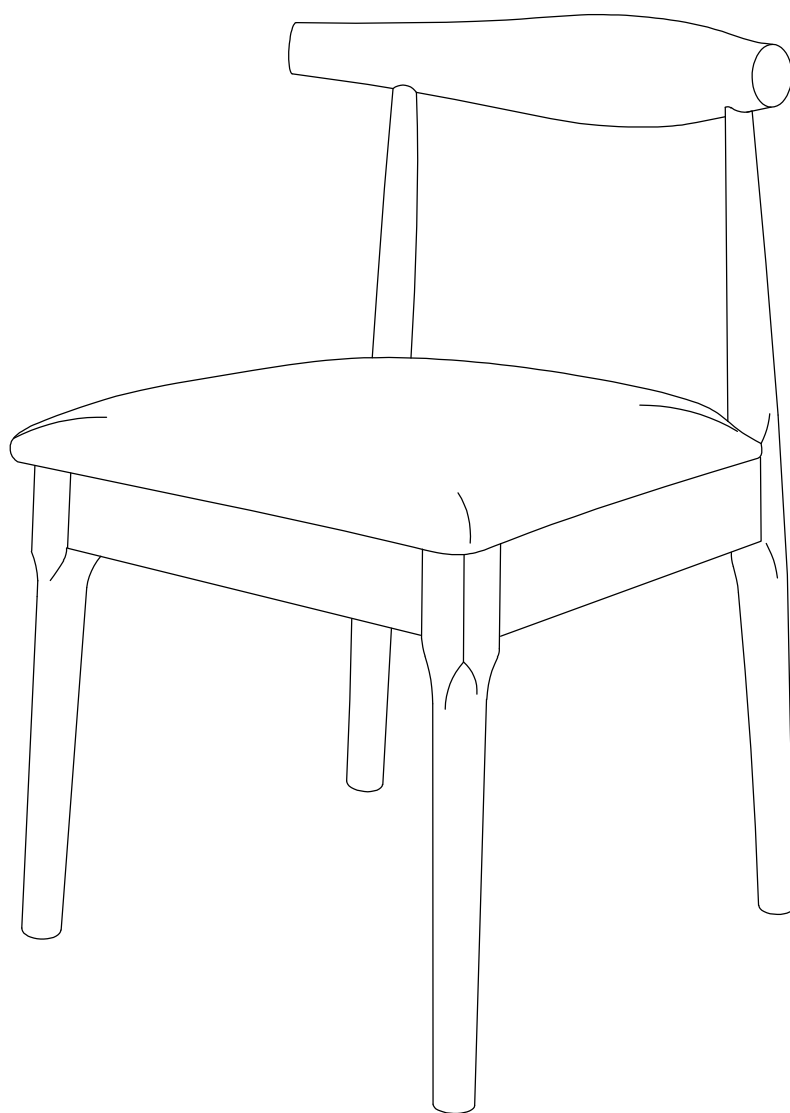


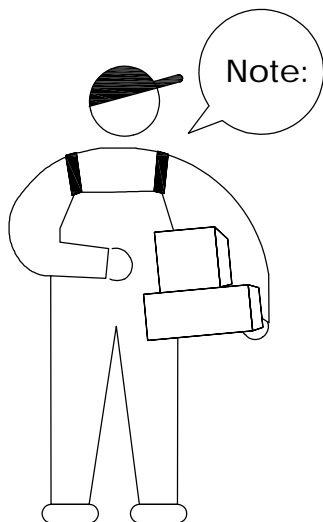
# Assembly Manual

## Dining Chair

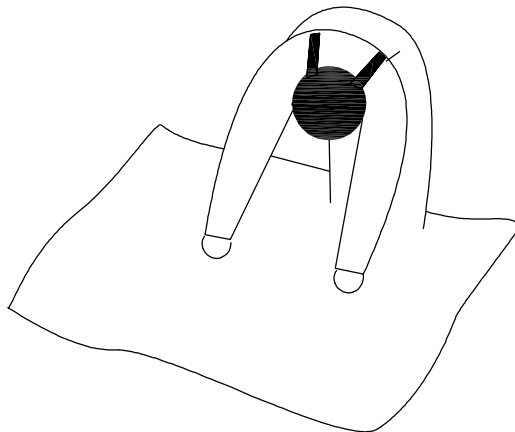


Please read this manual carefully before any operation and keep it properly for future use.

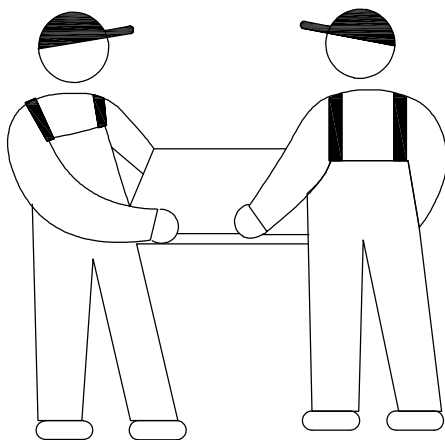
## Assembly-note:



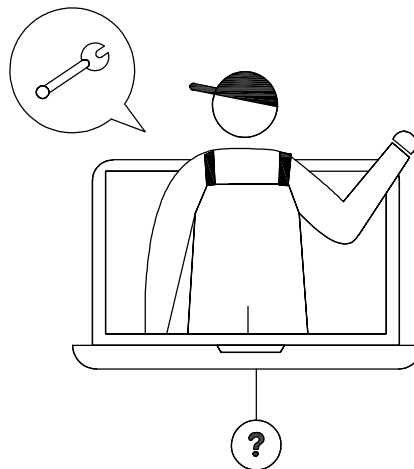
- 1 Put a protective mat on the ground and handle the product with care.



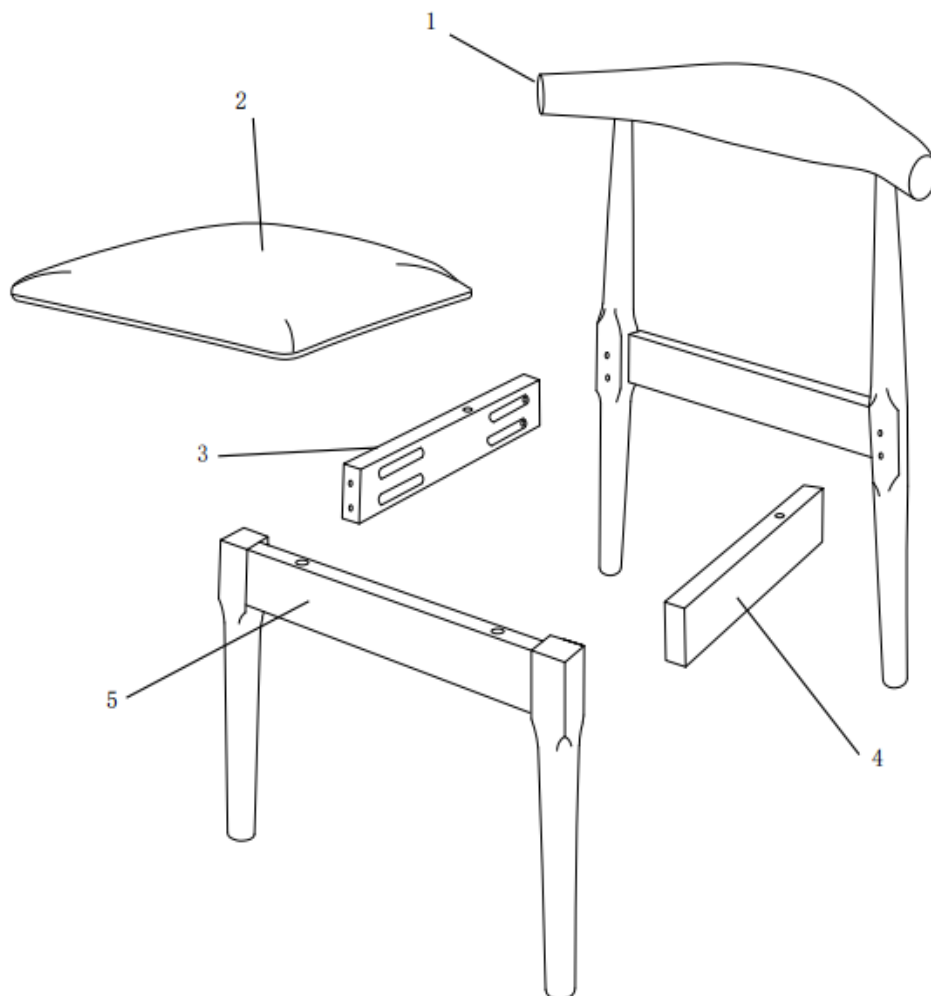
- 2 Two people are preferred.



- 3 Contact us if you have any confusions

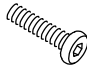
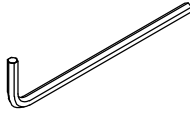


Exploded  
diagram:



1	Backrest	1PCS
2	Seat	1PCS
3	Right batten	1PCS
4	Left batten	1PCS
5	Front Legs	1PCS

## Accessory list:

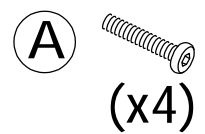
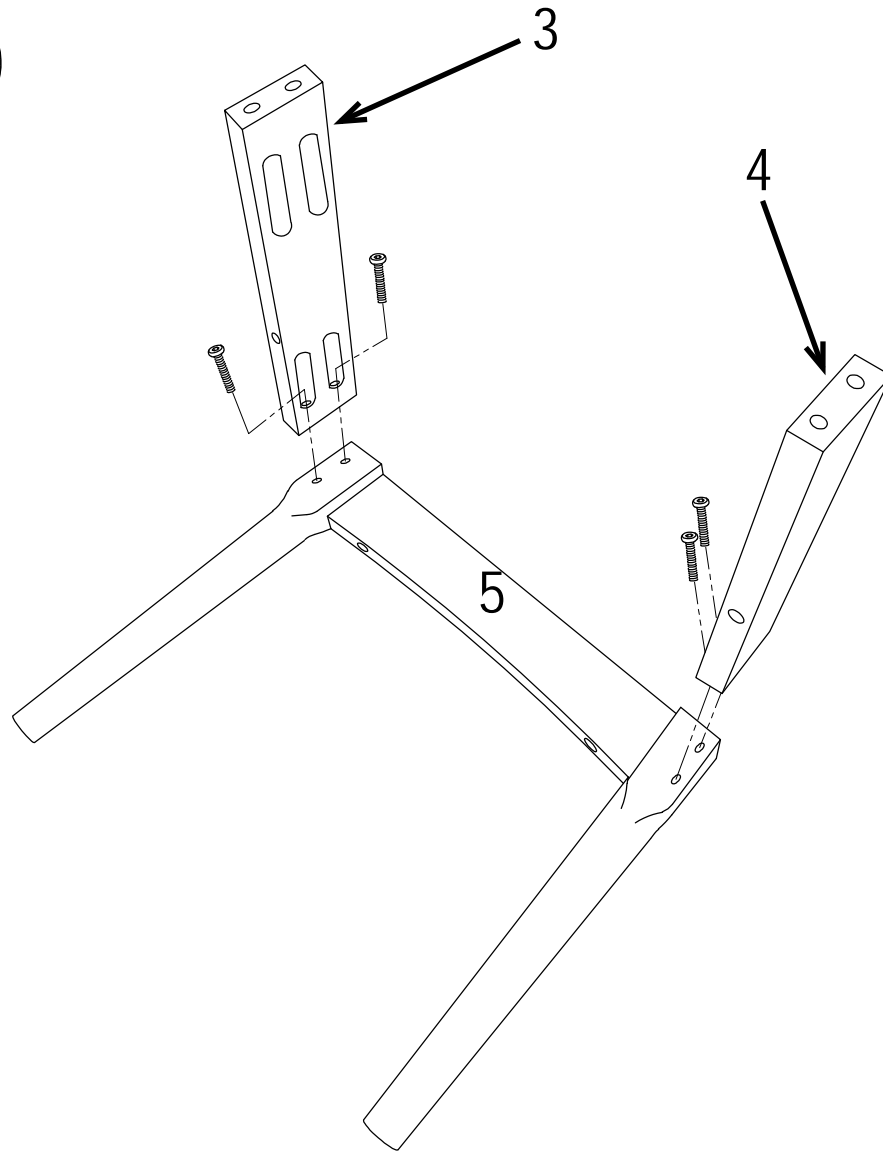
A		B			
					
Bolt	12+1	Allen wrench	1		

Note: The number after "+" sign indicates the extra piece(s).

**Step1:**

Use B to connect ( 3 ) and ( 4 ) to ( 5 ) , screw to about 50% , can not lock ,this will allow you slight adjustments during the assembly.

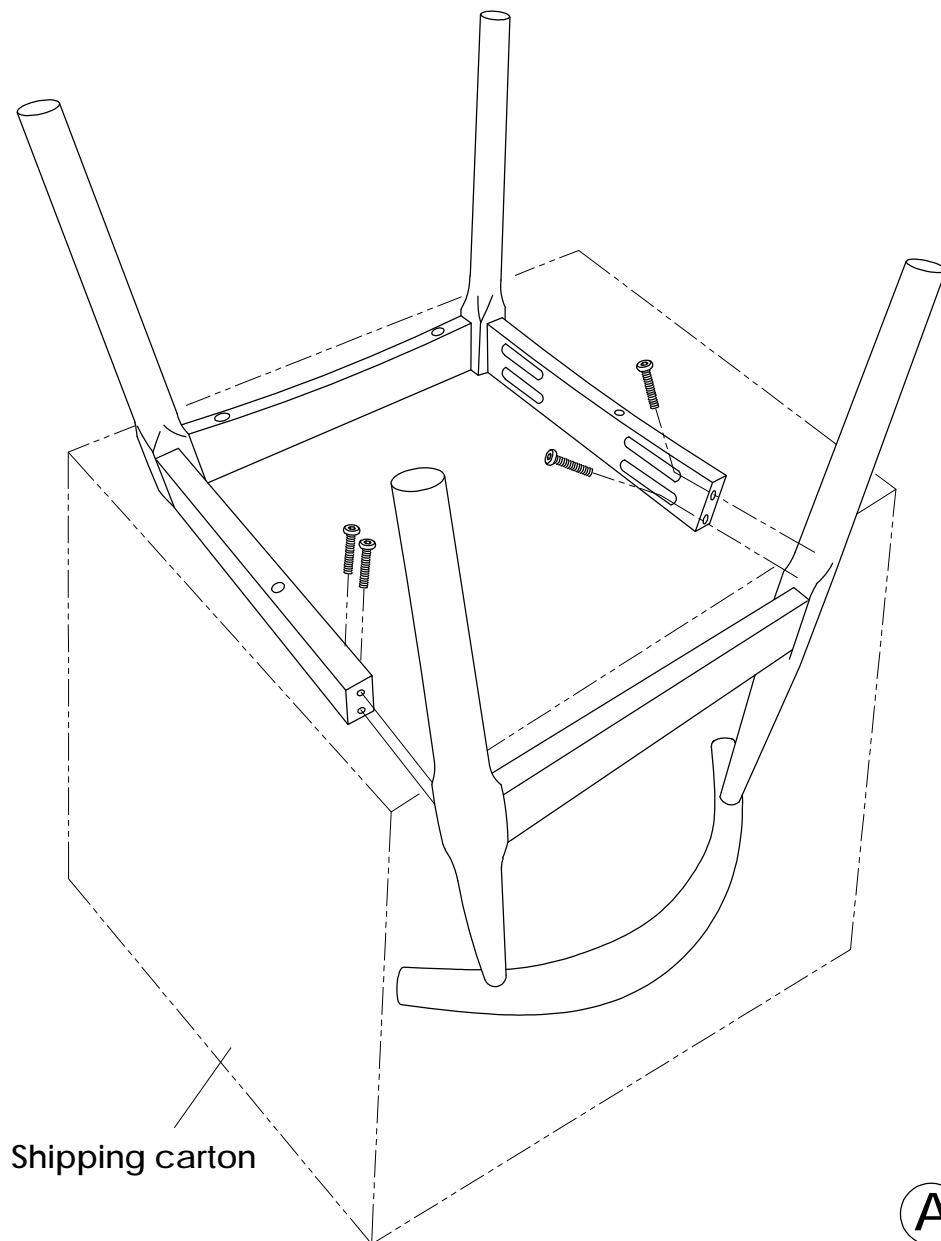
**1**



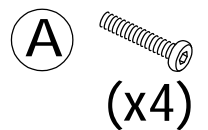
## Step2:

Attach the assembled parts of Step1 with A and ( 1 ) , DO NOT fully tighten the bolt until all of the parts are in the correct holes. This will allow you slight adjustments during the assembly.

# 2



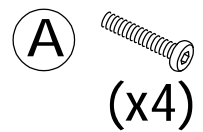
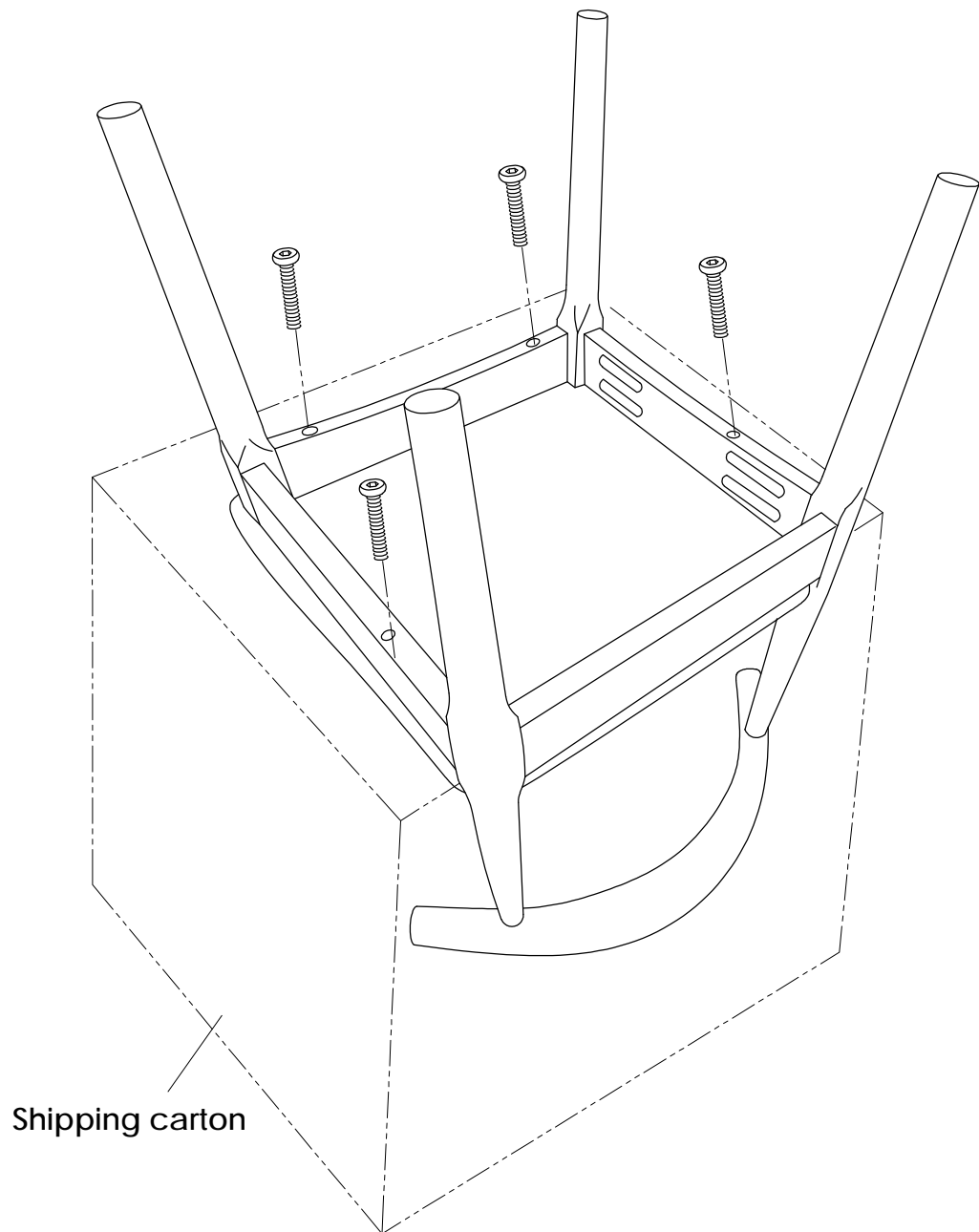
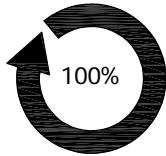
Shipping carton



Step3:

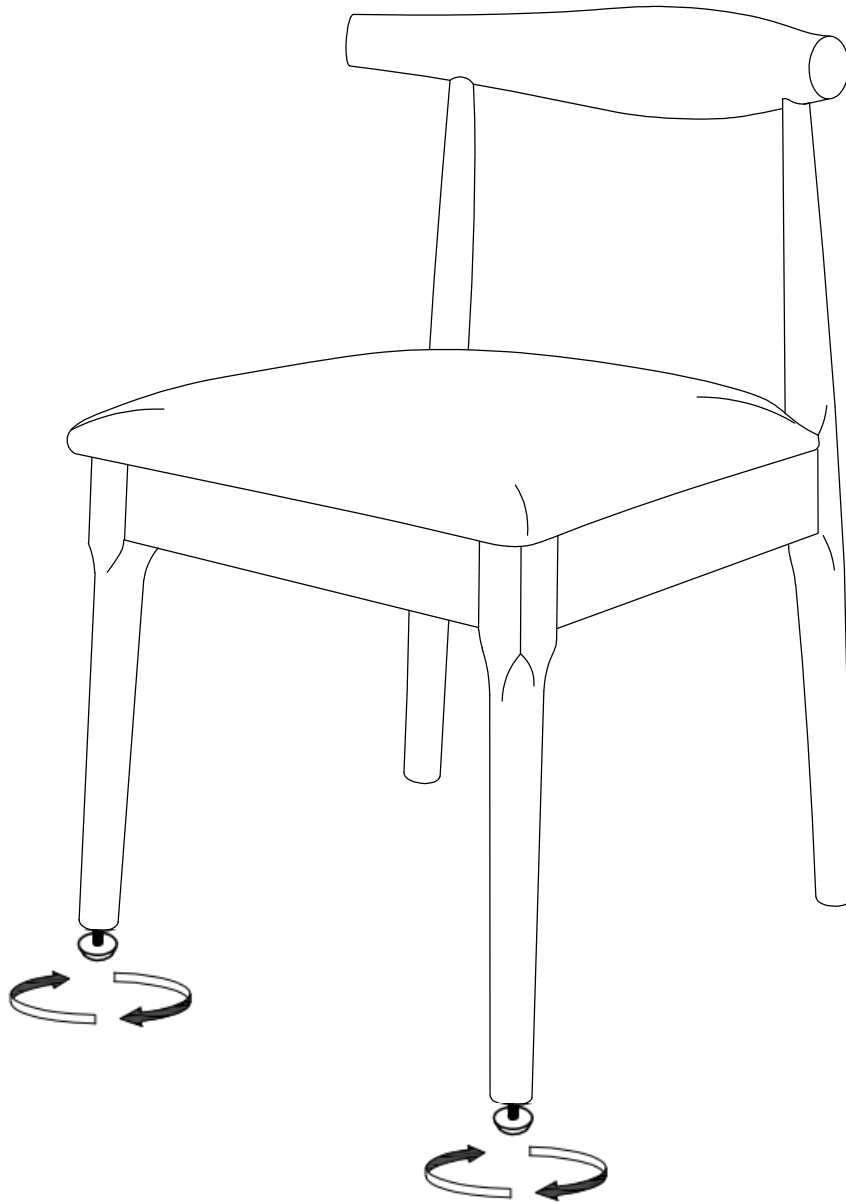
Use A to link the seat to the bottom frame, and lock all screws, Tighten all bolts completely. Then adjust the height of the foot mat to balance it.

3



Done

Legs levels can be modified by adjustable foot nails under bottom of the front legs



## Warning

- Please keep the product away from children while assembling.
- Do not let children play or jump on the product.
- Do not stand on the item or use as a step ladder.
- Prior to use, please check to see if there's any loosening screw or part.
- Make sure that each screw and part is correctly installed and securely fastened.

## Care and Maintenance

- Use a soft clean cloth that will not scratch the surface when dusting
- There's no need to use furniture polish.If you need, test it first in an inconspicuous area.
- Using solvents of any kind on your furniture may damage the finish.
- Never use water to clean your furniture as it may cause damage to the finish.
- Liquid spills should be removed immediately.
- Gently blot the spill with a soft clean cloth to avoid rubbing.

## Further advice about the furniture care

- It is best to keep your furniture in a climate-controlled environment.
- Extreme temperatures and humidity changes can cause fading, warping, shrinking and spitting of wood.
- We recommend to keep furniture from sunlight exposure to avoid possible surface damage.
- Proper maintenance and cleaning at home will extend the life of your purchase.
- Following these important and helpful tips will help retain your furniture's performance even when it ages.  
Periodically (every 90 days) make sure the screws are fully tightened.