

Installation Guide

WALL MOUNT BATHROOM SINK



Tools and Materials



Safety Glasses



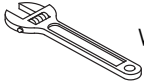
Measuring Tape



Drill



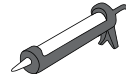
Pencil



Wrench



Level



Silicone Caulk

Included Hardware: (1) Hanger Bolts (10mm) x2 (2) Washer x2
(3) Nuts x2 (4) Anchor x2 (5) Insulation Sleeve x2

Before You Begin



Read the following instructions carefully before you begin this installation:

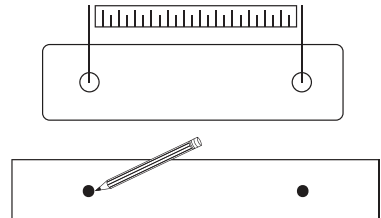
1. Observe all local plumbing and building codes.
2. Shut off the hot and cold water supplies. Inspect the drain and supply tubing. Replace if necessary.
3. Unpack the new sink and inspect it for damage. Afterward, put the sink back to its protective carton until the installation begins.
4. In consideration of various installations possible with this sink, procedures other than those described in these instructions may be used.
5. It's recommended to provide the actual sink to all contractors involved in the project. It's critical that all contractors maintain communication and coordinate the requirements of the project.
6. It is recommended that the sink installation be performed by professional and experienced installers. For the sake of safety and a damage-free installation, the sink should be installed by at least two people.
7. All information in these instructions is based on the latest product information available at the time of publication. Eridanus reserves the right to make revisions to the design of products without notice.
8. Due to differing demands and purposes for usage possible, a template will not be provided for this model.

Installation Steps

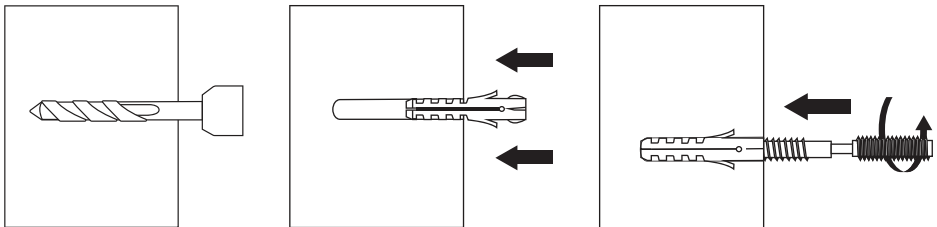
Wall Mount Installation

NOTE These fixings are suitable for solid walls only. Plasterboard or stud walls may require specialist fixings.

Step I. Measure the distance between the center of each mounting hole on the back of the sink. Draw 2 marks on the wall in the desired mounting location. Ensure that the two marks are level with the floor.



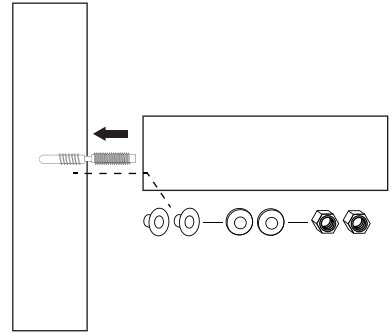
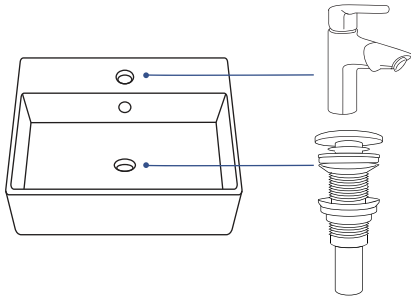
Step II. Drill two holes accordingly using a 14 mm masonry drill bit to a depth of 75 mm. Push the anchor into each hole and screw in the hanger bolts.



Step III. Attach the drain assembly and faucet to the sink according to the manufacturer's instructions.

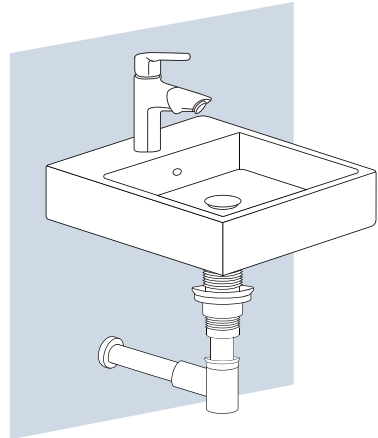
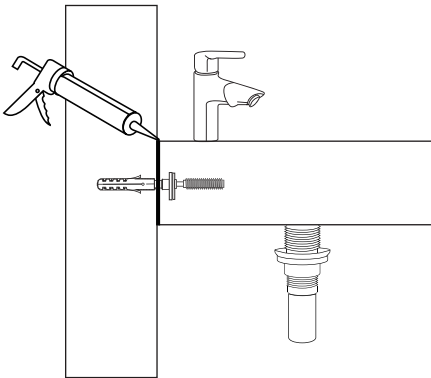
Step IV. Carefully place the sink in position against the wall. Locate the hanger bolts through the holes in the rear of the basin. Secure the sink with insulation sleeves, washers and nuts respectively.

NOTE DO NOT over-tighten, as this may cause damage to the ceramic sink.



Step V. Apply silicone caulk around the edges of the sink where it meets the wall to prevent water from seeping behind the sink. Wait for 24 hours for it to dry.

Step VI. Attach the P-trap assembly to the drain on the sink and connect it to the plumbing below. Install the water supply. Use a wrench to tighten the nuts and ensure there are no leaks.



Congratulations! You have successfully installed a wall mount bathroom sink.

A vitreous china bathroom sink is a popular and durable choice for many homeowners. Eridanus vitreous china bathroom sinks are meticulously handcrafted with fine materials and have undergone strict quality inspections. With proper maintenance and care, Eridanus sinks will keep in new condition and function well for an extended period of time.

Do's



- ✓ **Cleaning the sink regularly:** Use a mild detergent or cleaning solution and a soft cloth or sponge to wipe down the sink. Avoid using abrasive cleaners or scrubbers as they can scratch the surface of the sink.
- ✓ **Remove stains promptly:** If you notice any stains on the sink, it's important to remove them promptly. Use a cleaning solution specifically designed to remove the type of stain you're dealing with. For example, use a rust remover for rust stains and a hard water stain remover for hard water stains.
- ✓ **Keep the sink dry:** After using the sink, make sure to wipe it dry with a clean towel or cloth. Standing water can cause water spots and mineral buildup, which can be difficult to remove.
- ✓ **Use a drain strainer:** Use a drain strainer to prevent hair, soap, and other debris from clogging the drain. A clogged drain can lead to water damage and other problems.

Don'ts



- ✗ **Avoid using harsh chemicals:** Harsh chemicals such as bleach, ammonia, or acid-based cleaners can damage the surface of the sink. Avoid using these chemicals and opt for a mild cleaning solution instead.
- ✗ **Avoid placing heavy objects on the sink:** Vitreous china is a durable material, but it can still crack or chip if heavy objects are placed on it. Avoid placing heavy objects on the sink and use a separate surface for storing items such as hair dryers or curling irons.
- ✗ **Avoid hitting it with hard objects or dropping heavy items on it.**
- ✗ **Avoid direct contact with sharp and metallic objects.**



Soft Cloth



Mild Detergent



Plastic Scraper

By following these tips, you can keep your vitreous china bathroom sink in great condition for many years to come. Regular maintenance and care will help to prevent damage and keep the sink looking its best.

Installation Guide