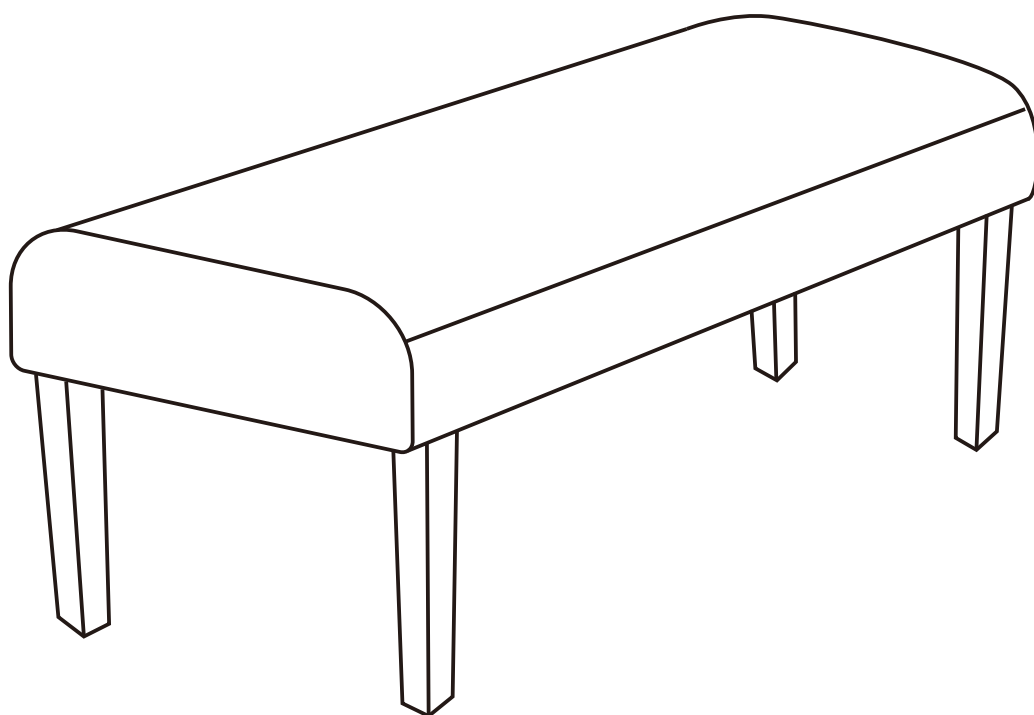


# User Manual

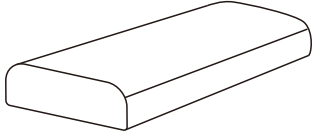

## Dining Room Benches







# ASSEMBLY INSTRUCTION

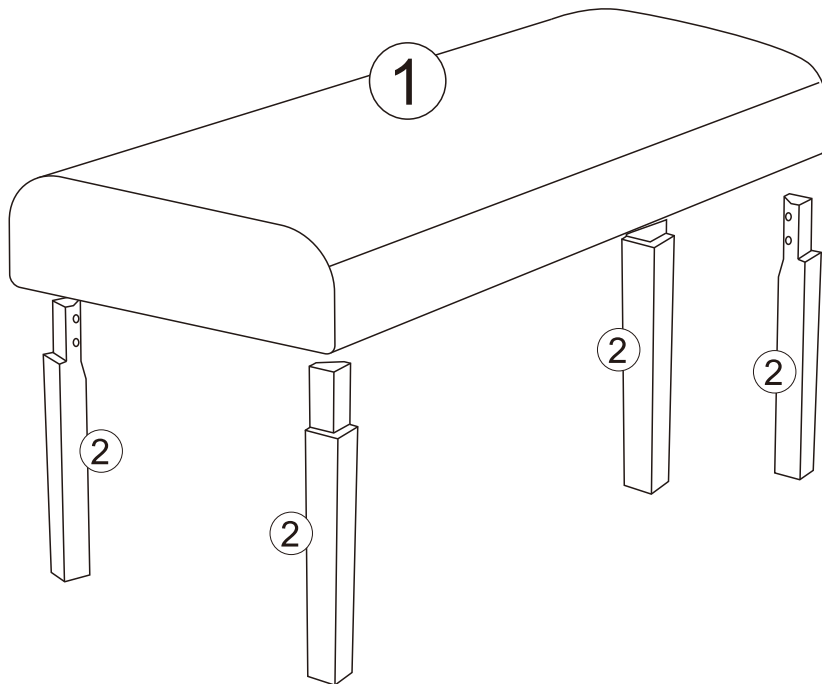
Thank you for purchasing this product. Please take time to read and follow the instructions below. Check that you have all parts and hardware before assembly. Parts apparently missing are often found in the packing materials. If you do not have all the parts listed, have your dealer contact us and they will be sent to you immediately.

## Parts List




Label	Picture	Description	QTY
①		Seat	1pcs
②		Foot	4pcs

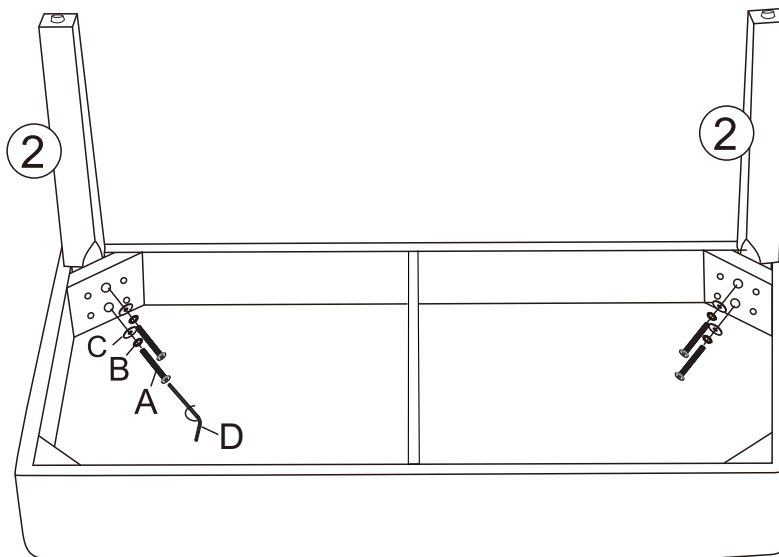
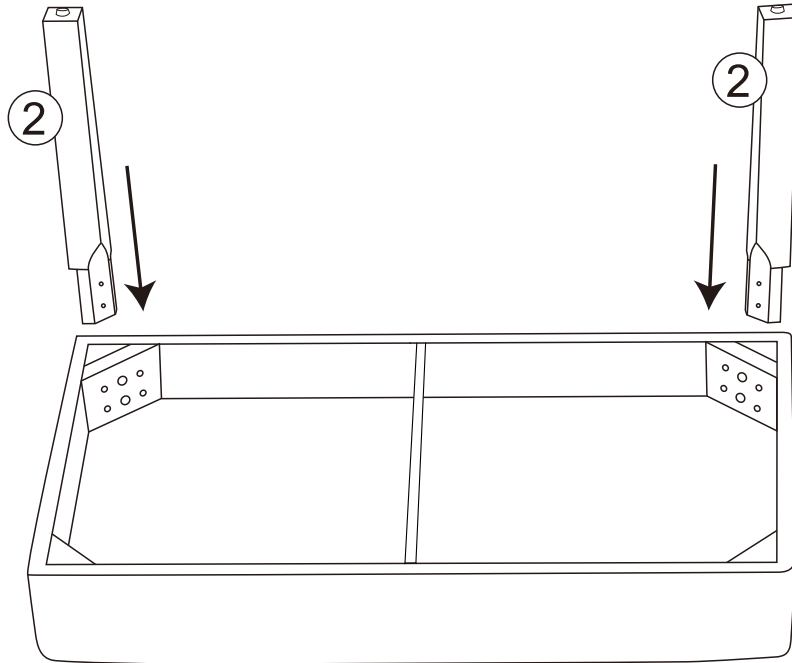
# Hardware

Label	Picture	Description	QTY
A		Bolt 5/16*45mm	8+1pcs
B		Spring Washer	8+1pcs
C		Washer	8+1pcs
D		Allen Key (5/16)	1pc






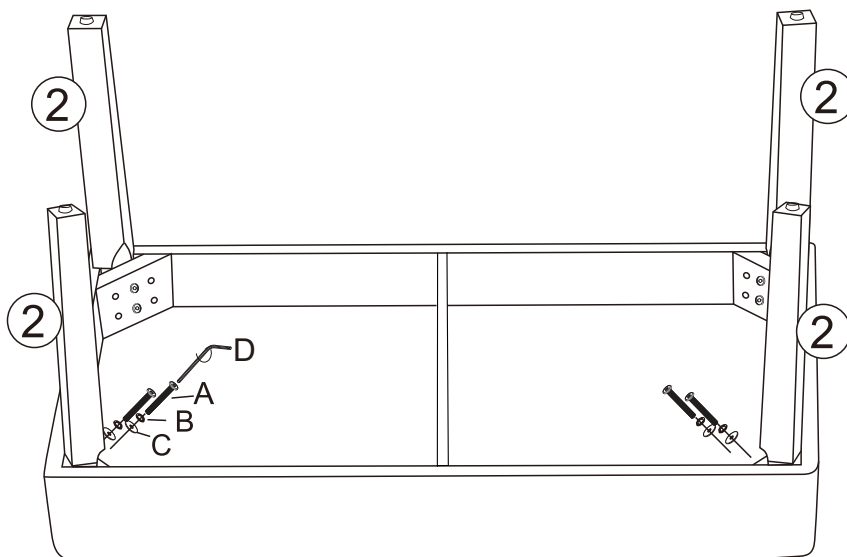
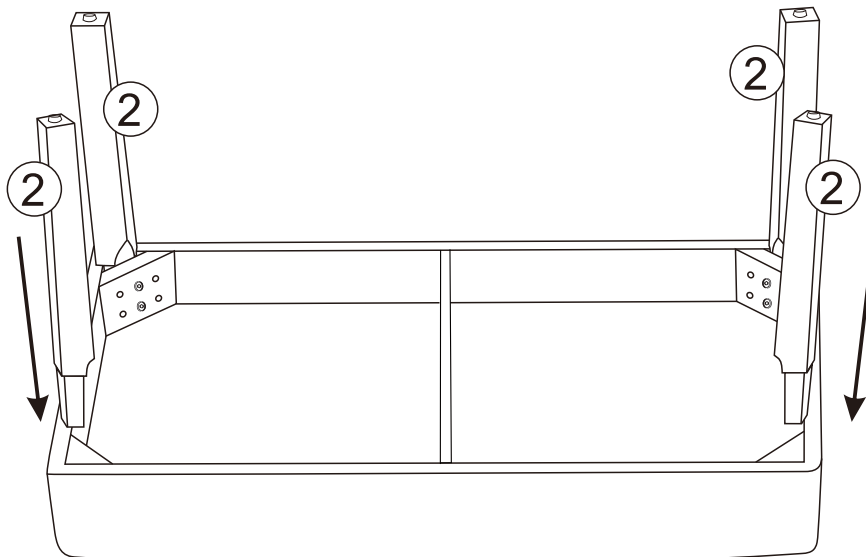
# STEP#1

- (A)  \*4
- (B)  \*4
- (C)  \*4

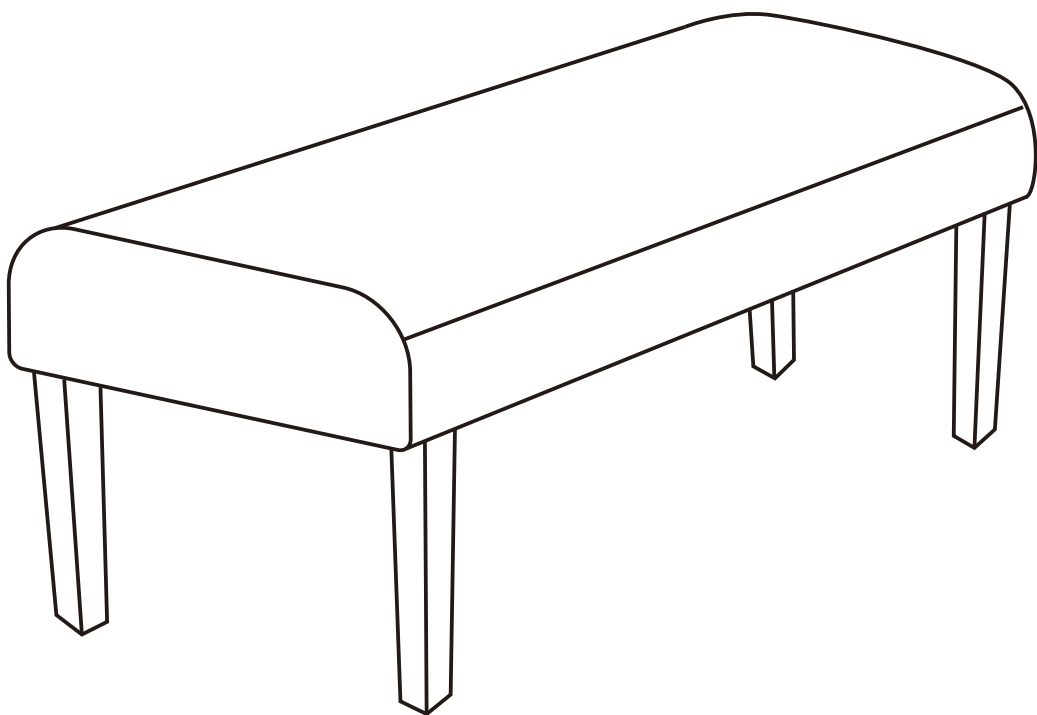


# STEP#2

- (A)  \*4
- (B)  \*4
- (C)  \*4



**STEP#3**



# WARRANTY CARD

## Your warranty includes

- **30 Days Money Back Guaranty**

Within the first 30 days of your purchase, you are allowed to return your product for a full refund.

- **30 Days to 3 Months(6 Months)**

We will replace the defective unit due to manufacturer fault with a new one. (You will receive extra 3 Months warranty if you register on our website.)

- **3 Months to 24 Months**

Within 24 Months, we will provide timely and effective online after-sales service after your purchase.