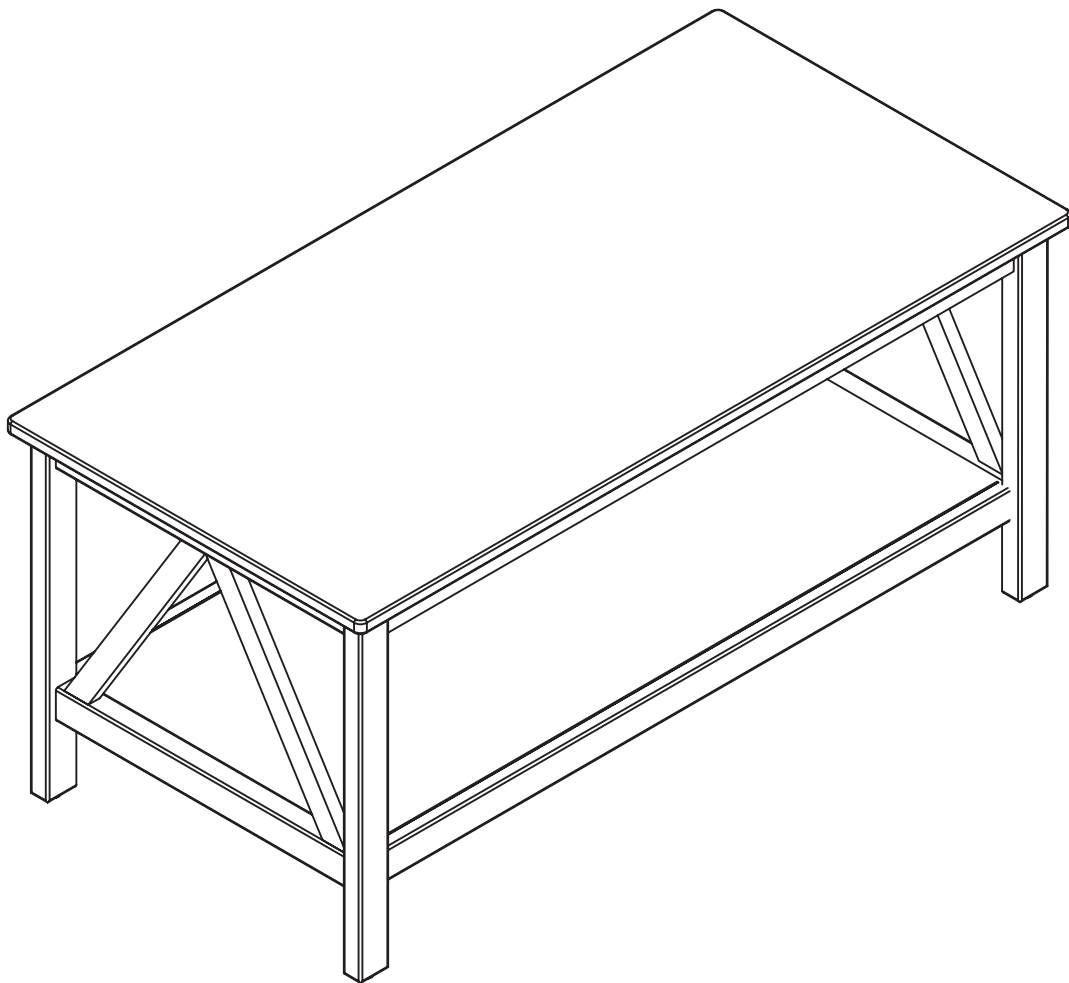


---

# ASSEMBLY INSTRUCTIONS

## COFFEE TABLE

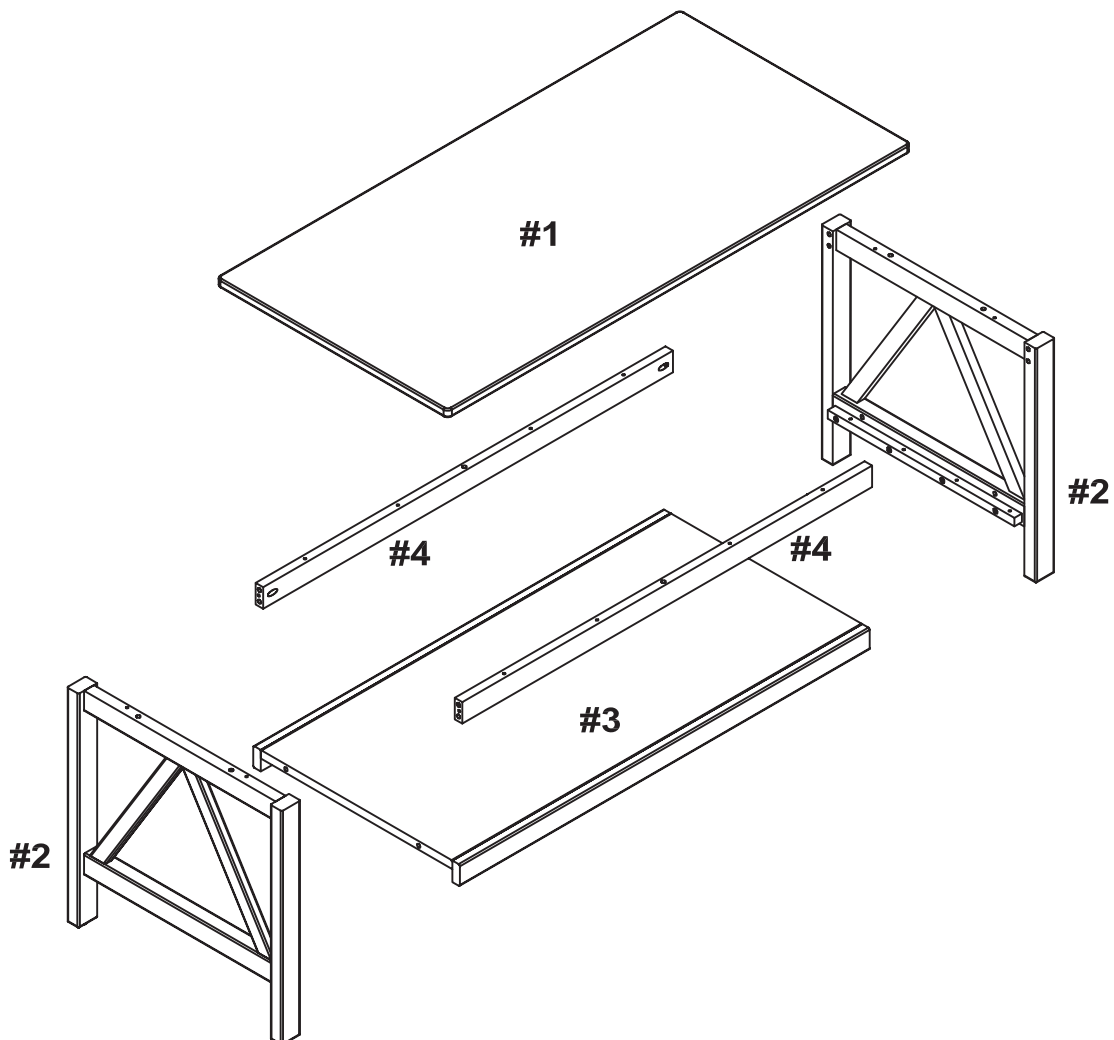


MADE IN CHINA

---

# PARTS IDENTIFICATION

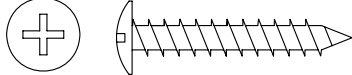
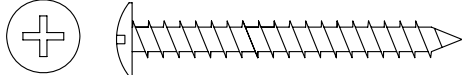
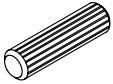
ITEM	DESCRIPTION	QTY
#1	TOP PANEL	01
#2	SIDE PANEL	02
#3	BOTTOM PANEL	01
#4	TOP RAIL	02



For ease of identification all parts are labeled to correspond to the Step number in which the part is used.

## HARDWARE IDENTIFICATION

Please line up the hardware with the correct full size image to make sure you are installing the hardware correctly.

ITEM	PICTURE	DESCRIPTION	QTY
<b>A</b>		(Ø4x30mm) Full Size	SCREW 12
<b>B</b>		(Ø4x45mm) Full Size	SCREW 12
<b>C</b>		(Ø8x30mm) Not to Scale	WOODEN DOWEL 18

Tools required



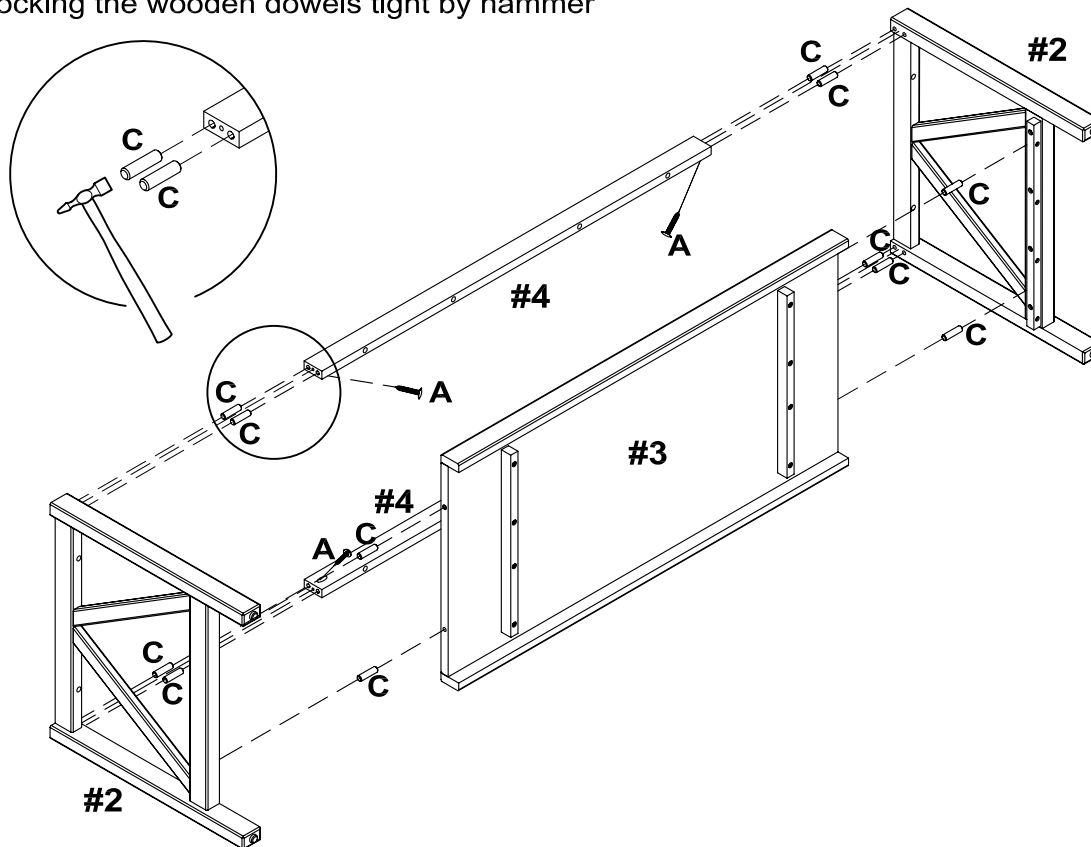
Long screwdriver



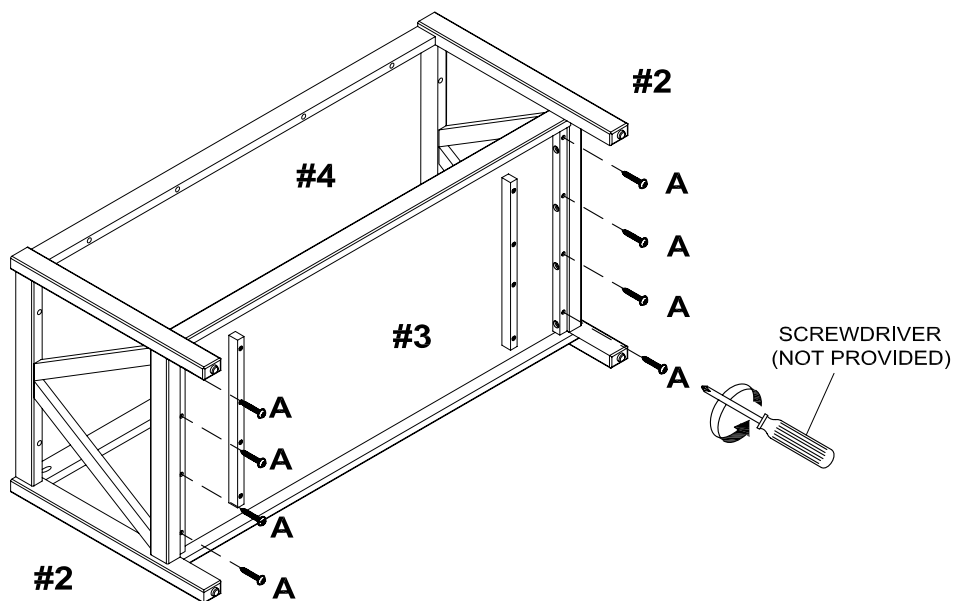
Small  
hammer

### STEP 1.

knocking the wooden dowels tight by hammer



### STEP 2.



**IMPORTANT:**

1. DO NOT OVER TIGHTEN SCREWS TO AVOID STRIPPING.

### STEP 3.

knocking the wooden dowels tight by hammer

SCREWDRIVER  
(NOT PROVIDED)

