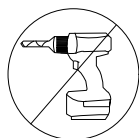


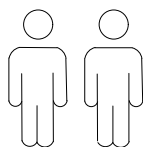
# ASSEMBLY INSTRUCTIONS **meridian.** MADRID BED - QUEEN **furniture**



## + Do Not Use Power Tools



## + Suggested Adults



NOTE: For questions about parts or assembly please email [support@meridianfurnitureusa.com](mailto:support@meridianfurnitureusa.com) or call us at 718-758-4455.

- 1 Read instructions cover to cover.
- 2 Save all packaging until assembly is completed.

## 1 IMPORTANT SAFETY INFORMATION

Do not assemble the product if any of the following parts arrived damaged:

- Part #③ -Side Rails
- Part #⑤ -Center Support Bar
- Part #⑥ -Support Legs
- Part #⑦ -Slats joint

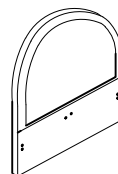
## 2 IMPORTANT ASSEMBLY INFORMATION

Assembly Step ③ Ensure the side rail bracket is fully hooked onto bolt **A** loosely threaded with both washers on the **OUTSIDE** of the bracket first, then proceed to fully tightening all 4 corners.

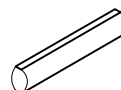
\*Slats come packed in the bottom of headboard carton.

## + Parts Included

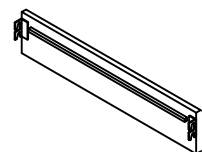
① Head Board (1pc)



② Foot Board (1pc)



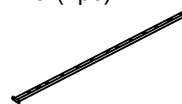
③ Side Rails (2pcs)



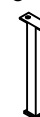
④ Legs (2pcs)



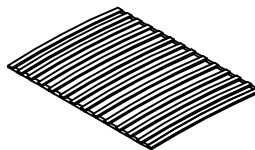
⑤ Center Support Bar (1pc)



⑥ Support Legs (2pcs)



⑦ Slats joint (1set=13pcs)



⑧ -Bracket (2pcs)



\*Slats come packed in the bottom of headboard carton.

## + Hardware Included

A Bolt M8\*40mm (24pcs)



B Spring Washer (8pcs)



C Flat Washer  $\varnothing 20$  (24pcs)



D M8 Allen Key (1pc)



E Nut M8\*13mm (4pcs)

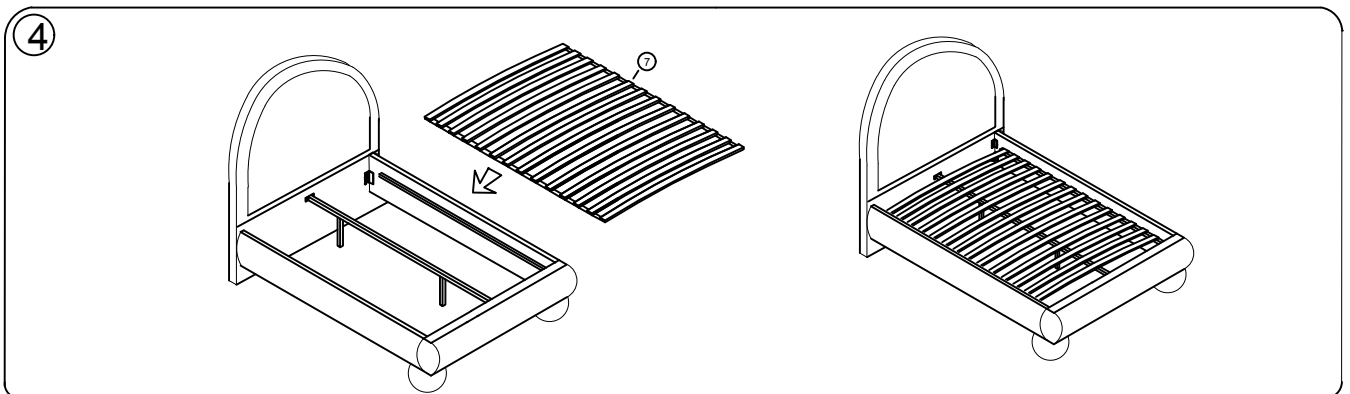
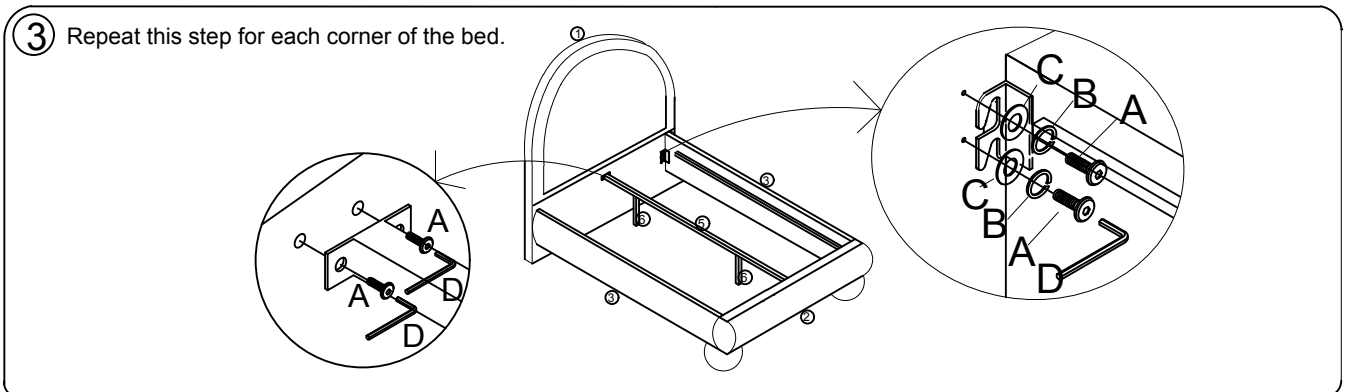
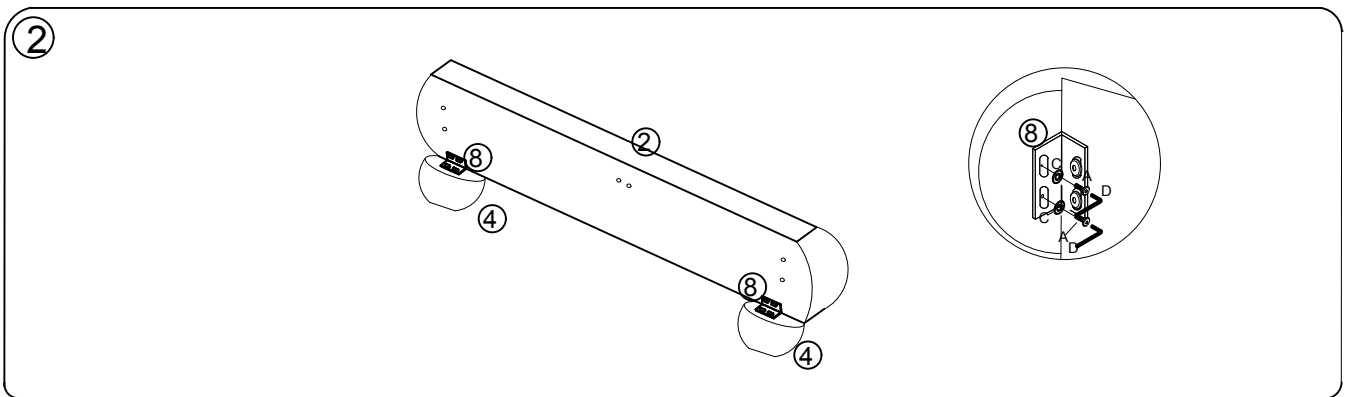
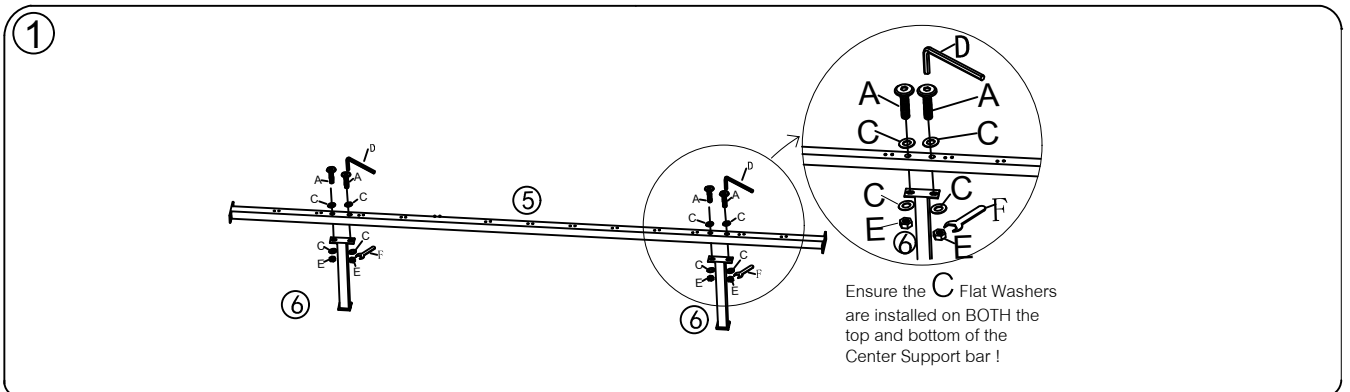


F Spanner (1pc)



# ASSEMBLY INSTRUCTIONS MADRID BED - QUEEN

**meridian.**  
furniture



**NOTE:** For questions about parts or assembly please email [support@meridianfurnitureusa.com](mailto:support@meridianfurnitureusa.com) or call us at 718-758-4455.

[www.MeridianFurnitureUSA.com](http://www.MeridianFurnitureUSA.com) | [support@meridianfurnitureusa.com](mailto:support@meridianfurnitureusa.com)