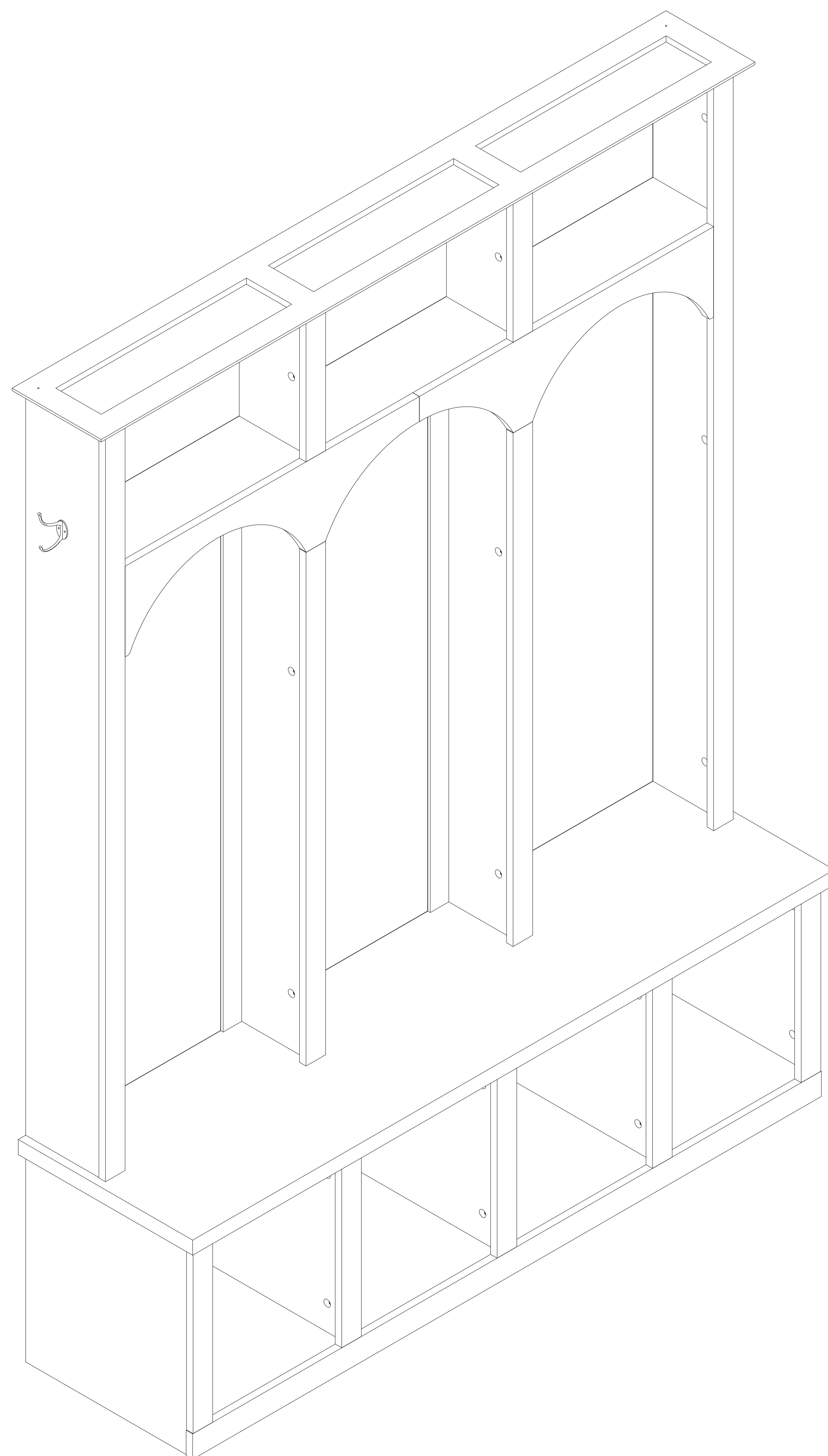


Hall Tree

Assembly Instructions -Please keep for future reference



Dimensions

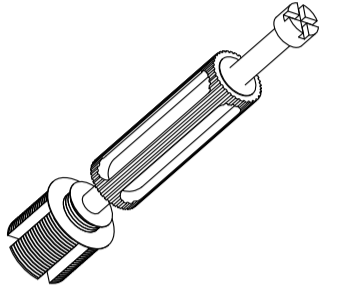
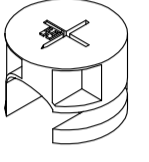
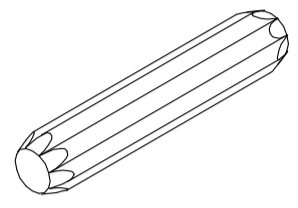
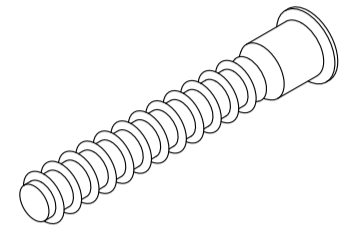
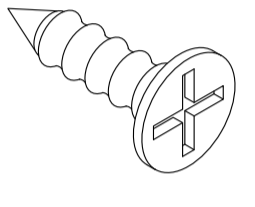
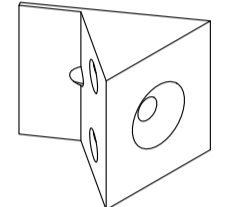
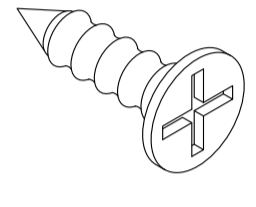
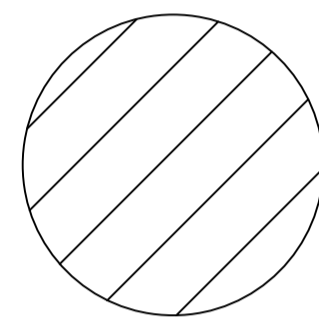
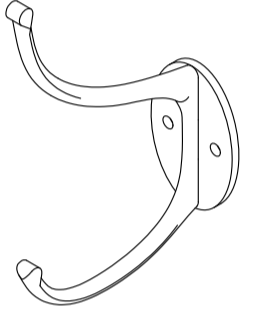
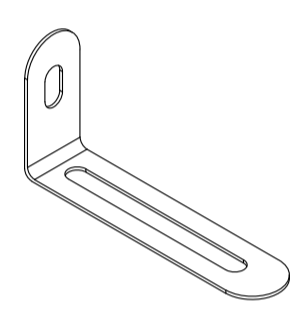

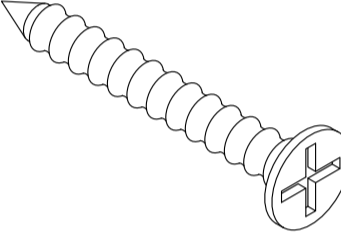
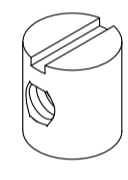
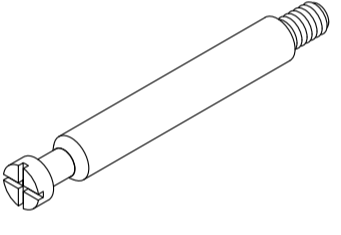

Width-59 inch
Depth-16 inch
Height-77 inch

Important -Please read these instructions fully before starting assembly

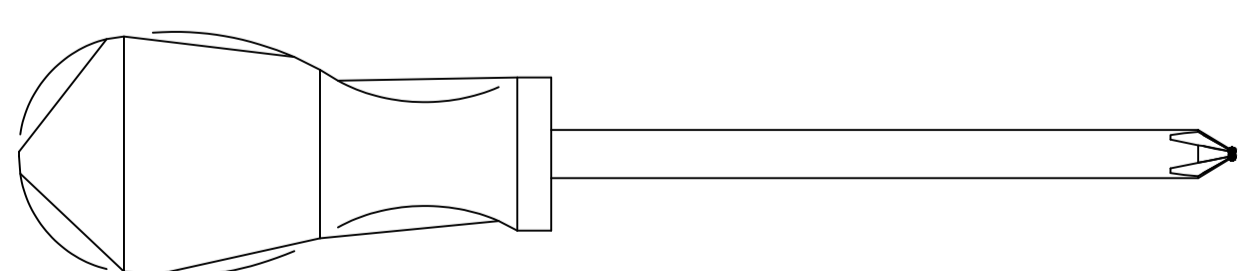
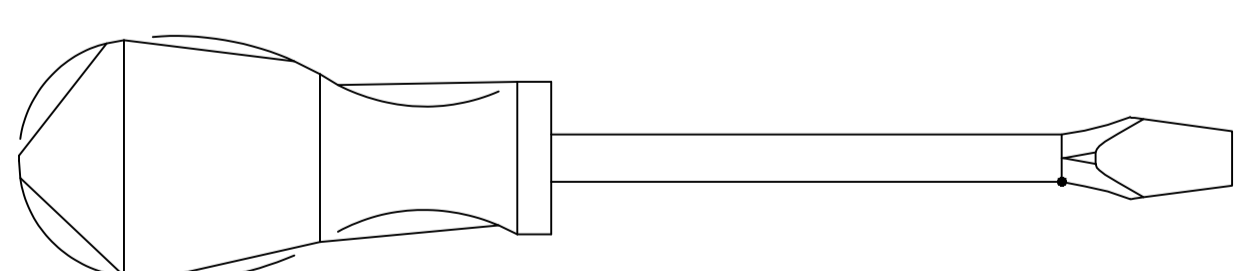
Components -Fittings

Please check you have all the panels listed below

Note: The quantities below are the correct amount to complete the assembly. In some cases more fittings may be supplied than are required.

<p>A</p>  <p>Cam Bolt x 79 +2</p>	<p>B</p>  <p>Lock x 80 +2</p>	<p>C</p>  <p>Dowel x 85 +2</p>	<p>D</p>  <p>7*50mm Screw x 22 +1</p>
<p>E</p>  <p>3.5*14mm Screw x 12 +1</p>	<p>F</p>  <p>Plastic buckle x 34 +1</p>	<p>G</p>  <p>3*12mm Screw x 34 +1</p>	<p>H</p>  <p>Sticker Cover x 35 +1</p>
<p>I</p>  <p>Clothes hook x 5</p>	<p>J</p>  <p>Anti-tipping device x 2</p>	<p>K</p>  <p>Plastic expansion tube x 2</p>	<p>L</p>  <p>4*50mm Screw x 2</p>
<p>M</p>  <p>Nut x 1</p>	<p>N</p>  <p>Screw arbor x 1</p>	<p>O</p>  <p>Felt pad x 8</p>	

Tools required



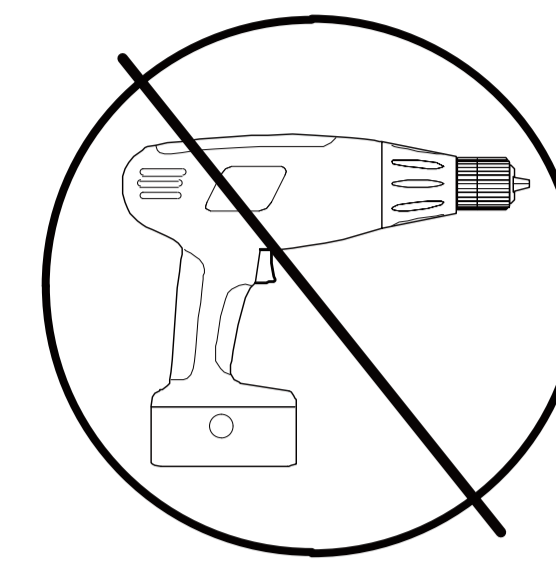
Phillips screwdriver
(medium & large)

Safety and Care Advice

Important – Please read these instructions fully before starting assembly

- Check you have all the components and tools listed on the following pages.
- Remove all fittings from the plastic bags and separate them into their groups.
- Keep children and animals away from the work area, small parts could choke if swallowed.
- Make sure you have enough space to layout the parts before starting.

- During assembly do not stand or put weight on the product, this could cause damage.
- Assemble the item as close to its final position (in the same room) as possible.
- Assemble on a soft level surface to avoid damaging the unit or your floor.
- Parts of the assembly will be easier with 2 people.



- To reduce the likelihood of damaging your product please ensure that your power drill is set on a low torque setting.

Care and maintenance

- Only clean using a damp cloth and mild detergent, do not use bleach or abrasive cleaners.
- From time to time check that there are no loose screws on this unit.
- This product should not be discarded with household waste. Take to your local authority waste disposal centre.

Handy Hints

- Assemble all parts and bolts loosely during assembly, only once the product is complete should you fully tighten the bolts
- Regularly check and ensure that all bolts and fittings are tightened properly.

WARNING
In order to help prevent overturning – please follow these instructions

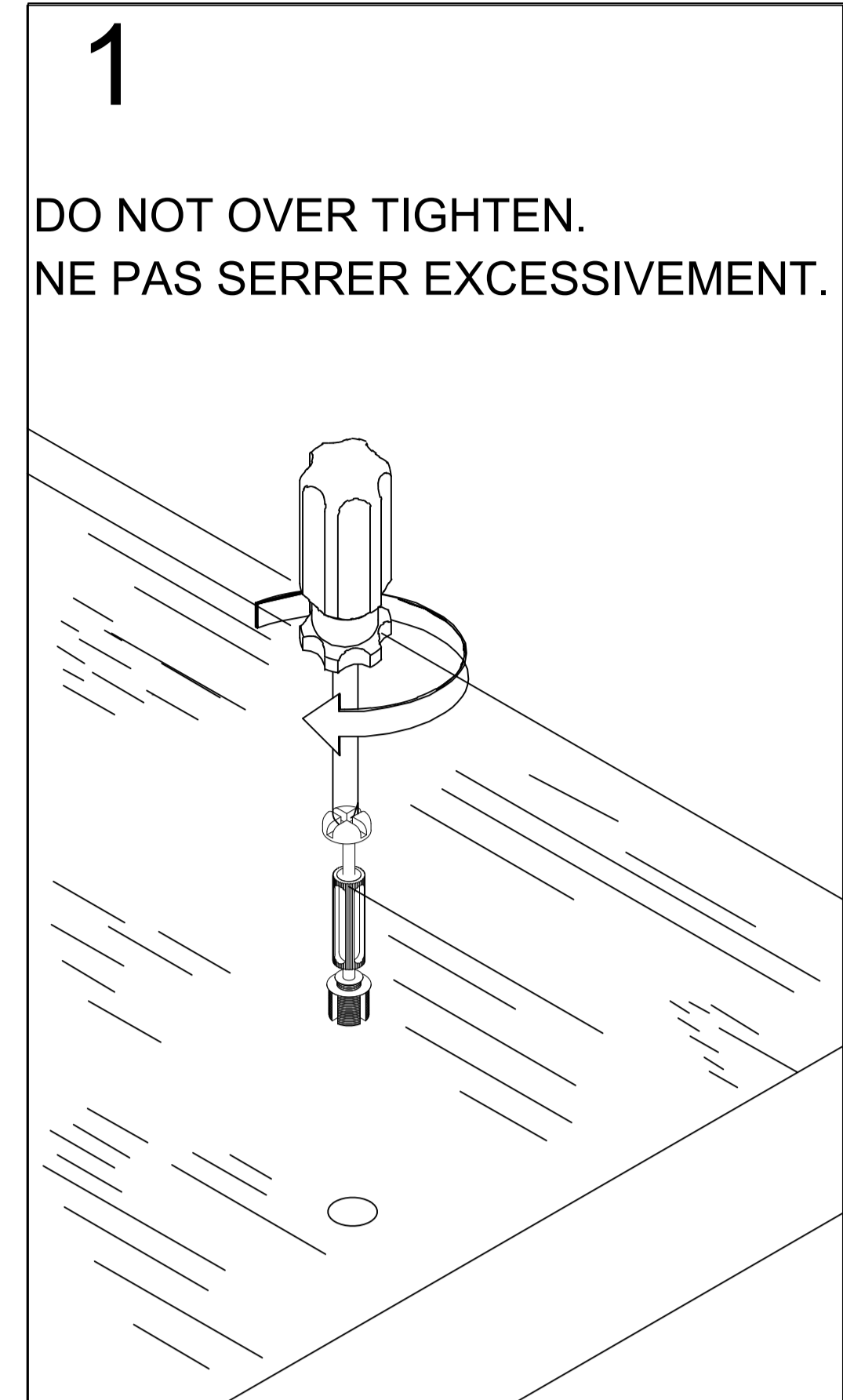
To help prevent product toppling over please follow the below steps:-

- Use the anti tip stap or wall fixing method provided (if applicable)
- Do not allow children to climb or hang on the furniture
- Do not open more than one drawer at a time
- Do not place heavy items in the top drawers
- Do not place heavy items on top of the furniture, unless the furniture has been designed for this purpose

Using Camlocks

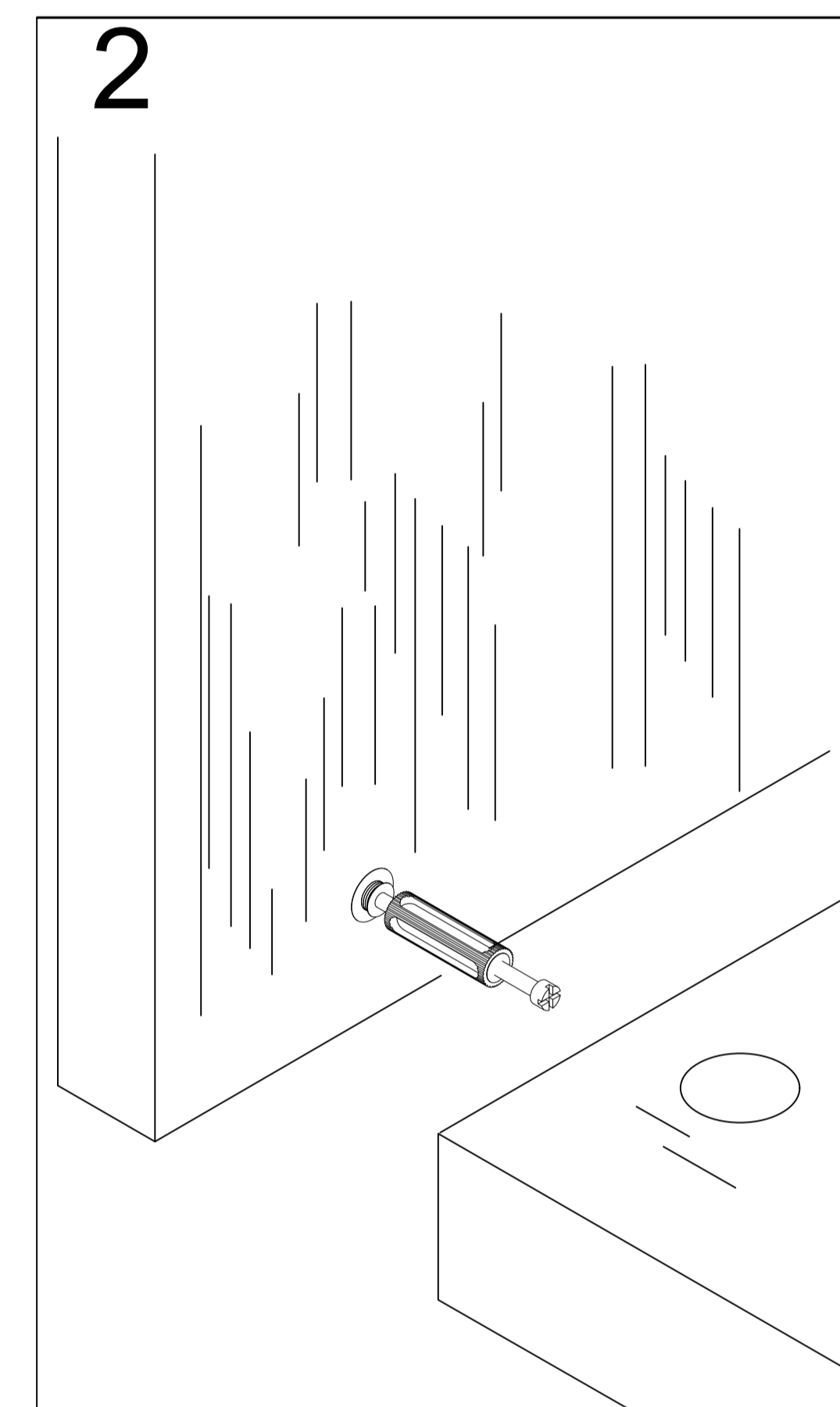
Step 1

Connect the male camlock as directed in the assembly instructions using a screwdriver.



Step 2

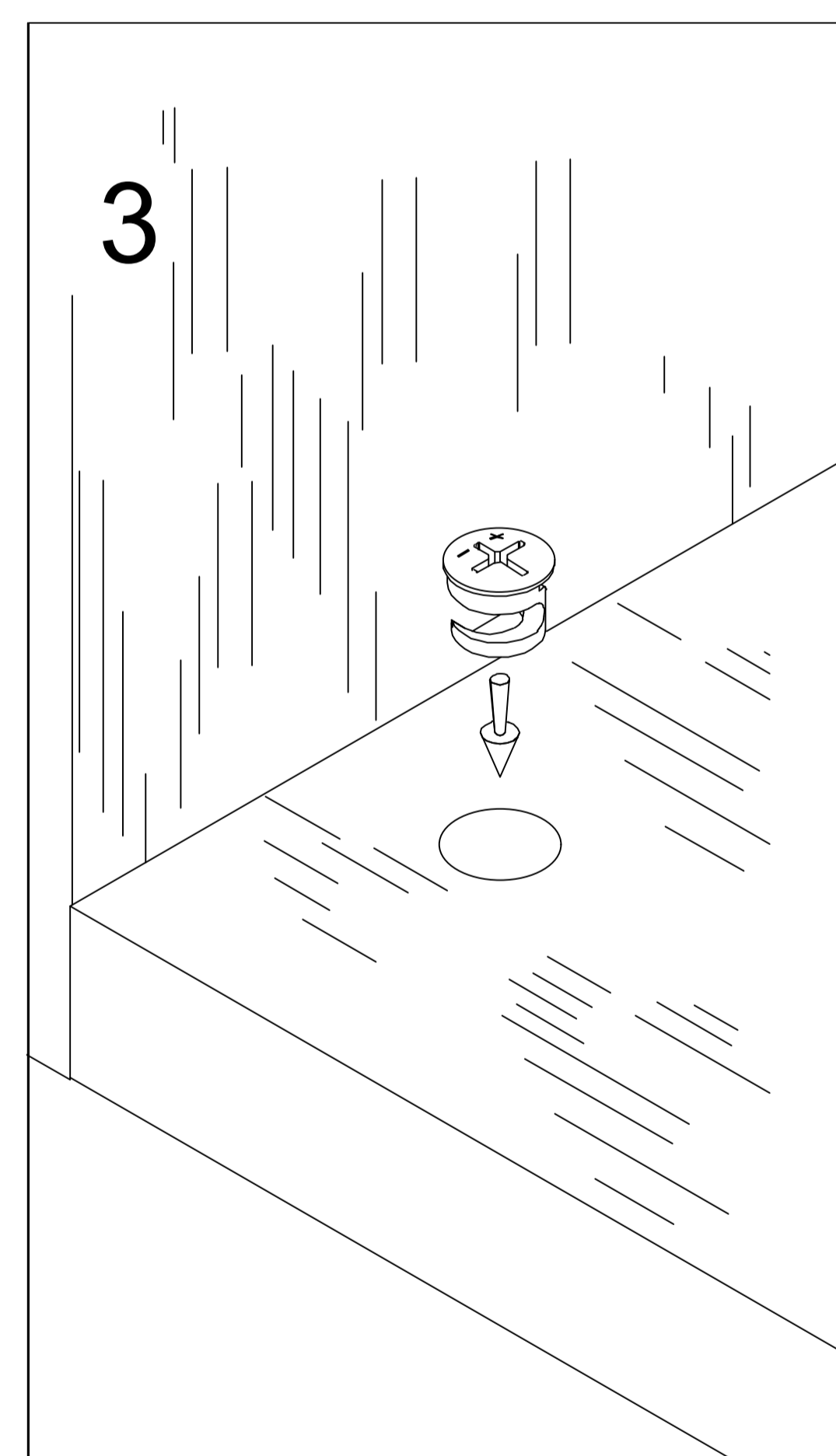
Push the male camlock into the entry hole.



Step 3

Insert the female camlock as shown in the instruction.

Note: ensure that the arrow on the top of the camlock points towards the entry hole for the male camlock.

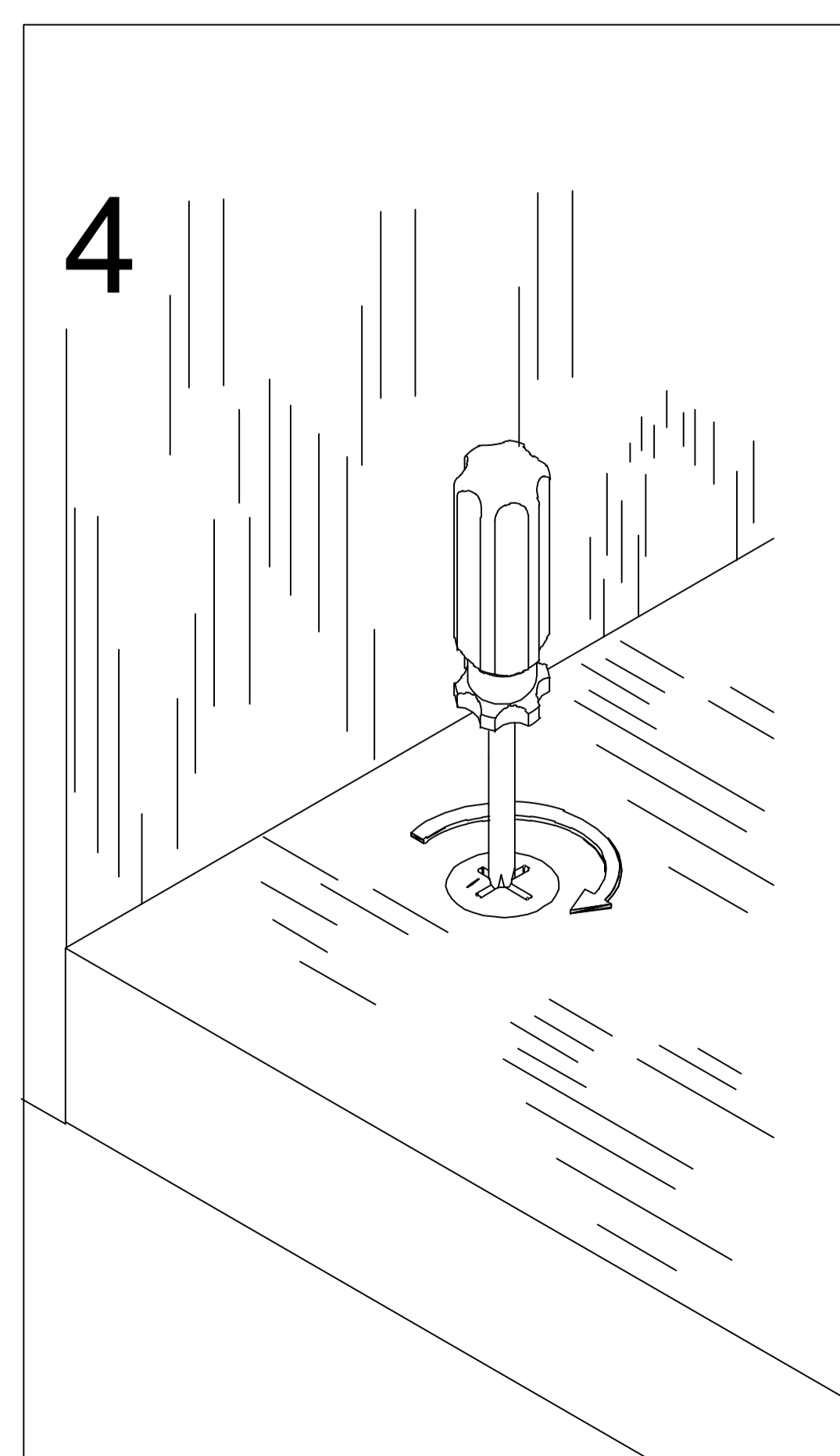


Step 4

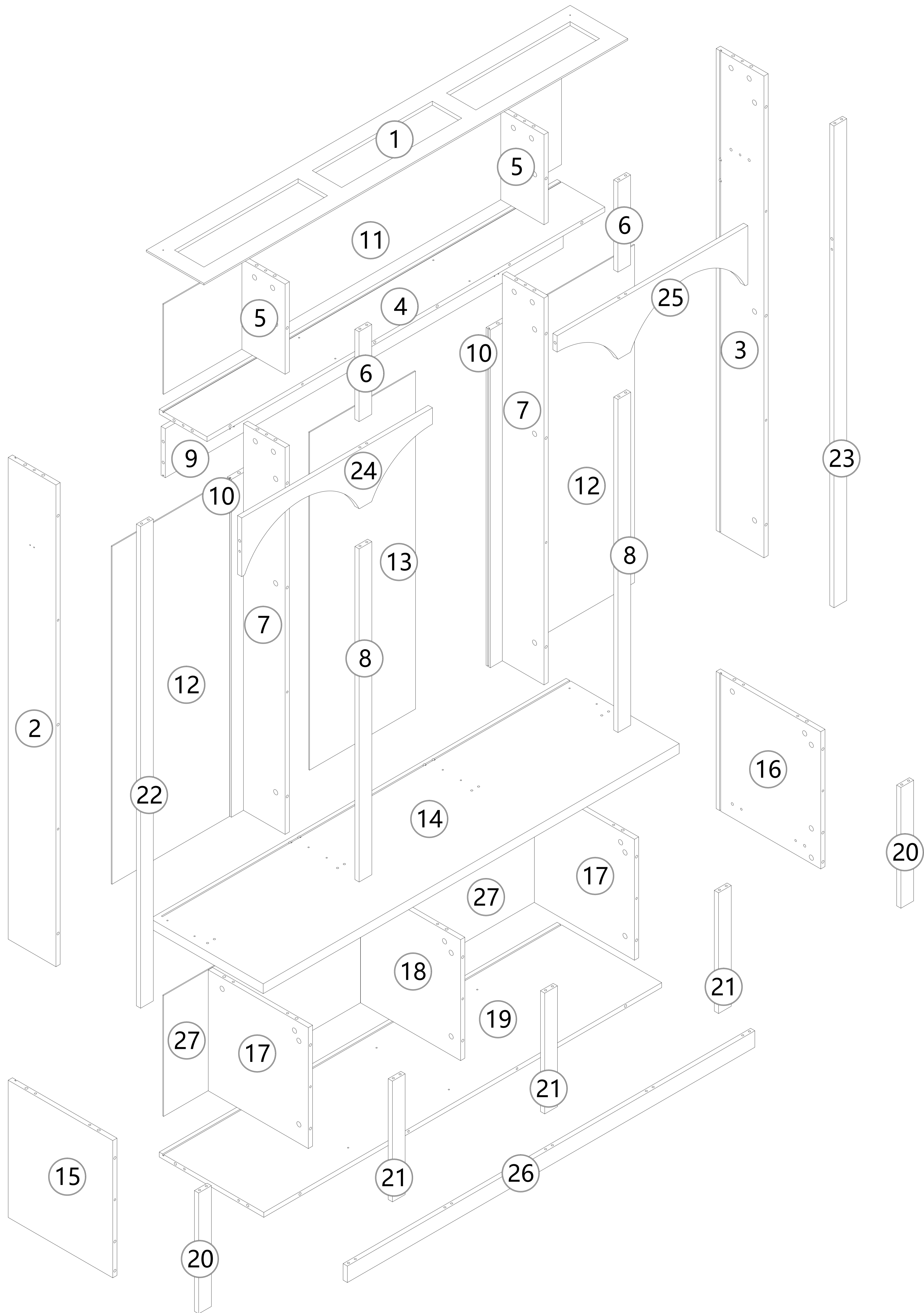
Turn the female camlock clockwise with a screwdriver.

You should feel a click when the camlock is locked in place.

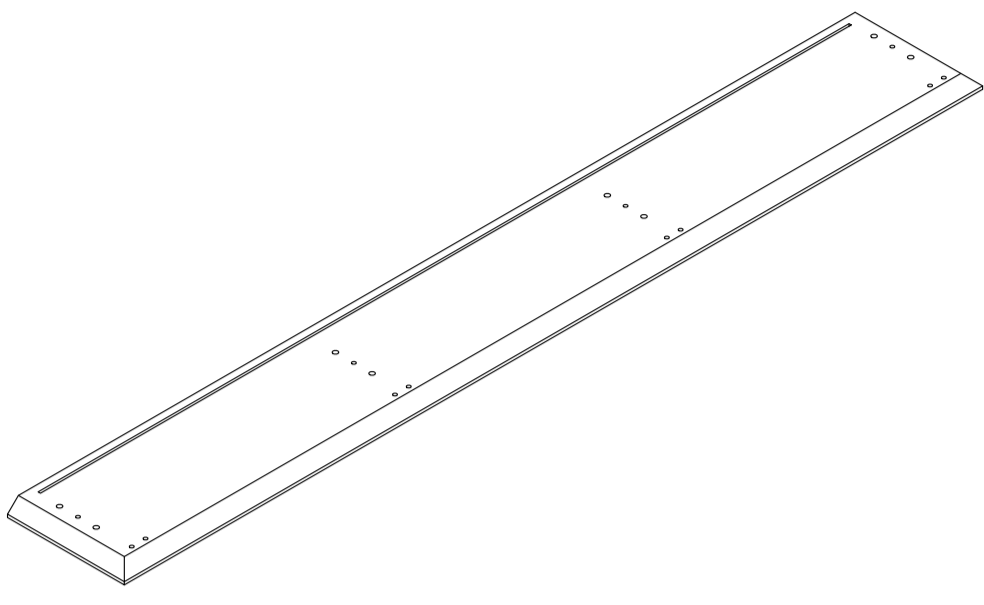
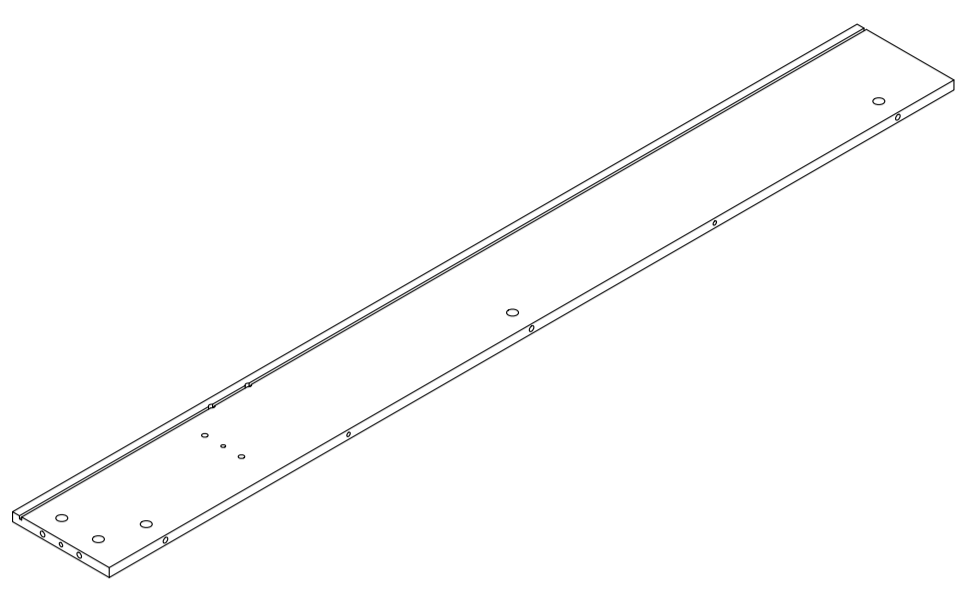
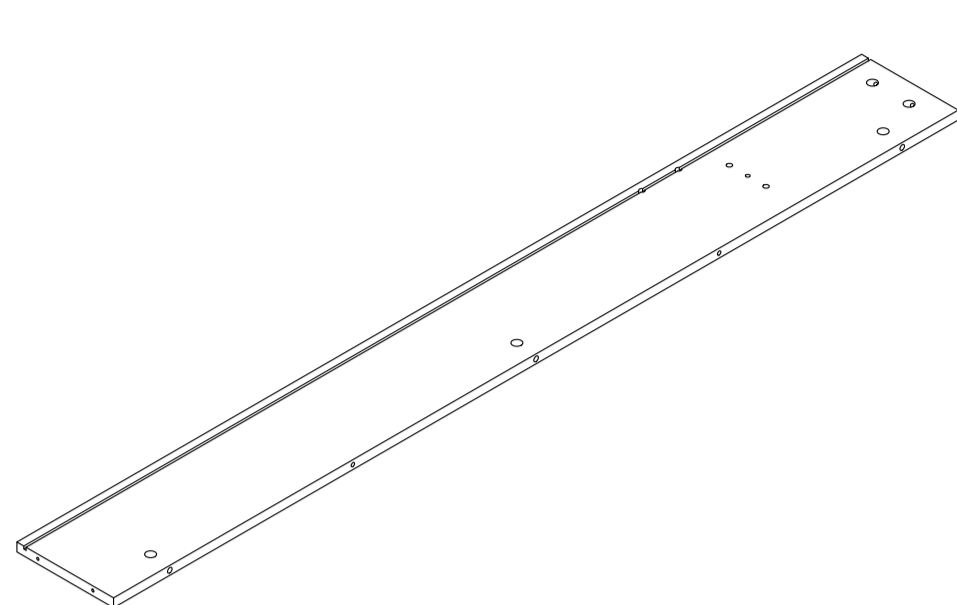
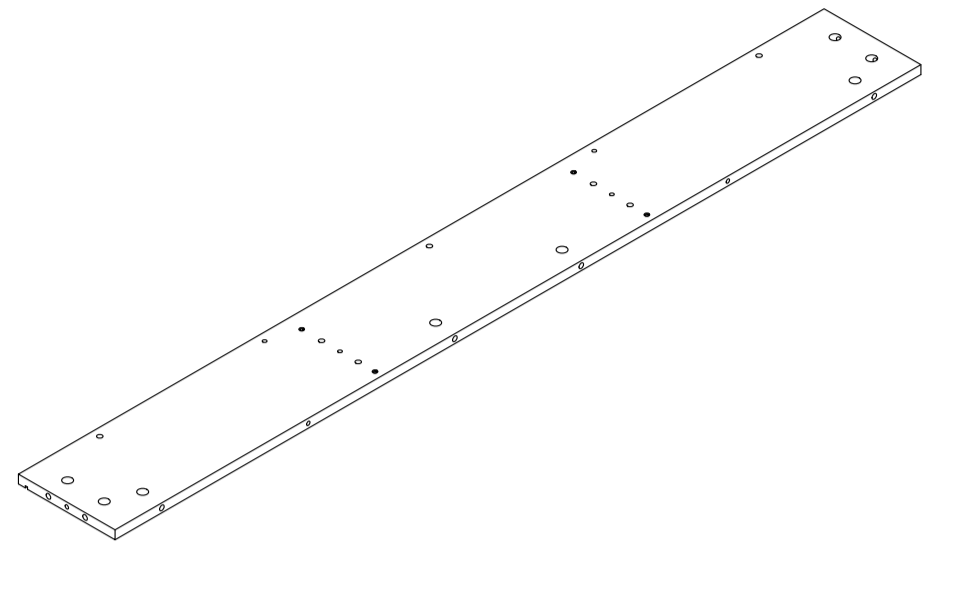
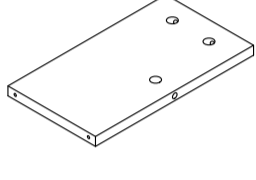
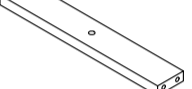
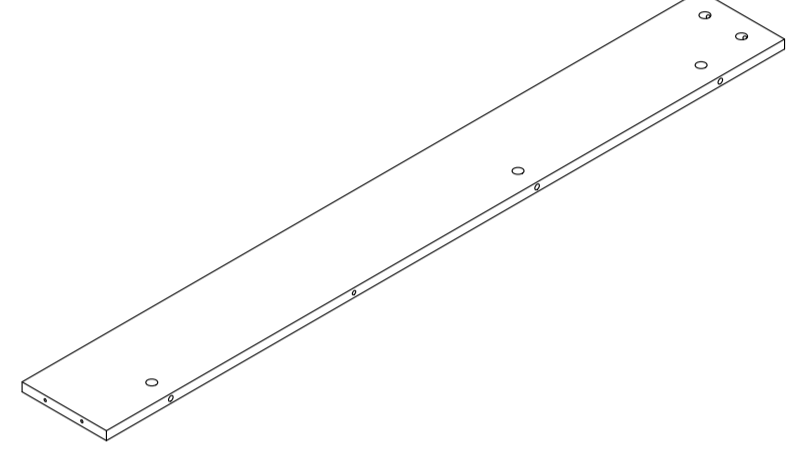
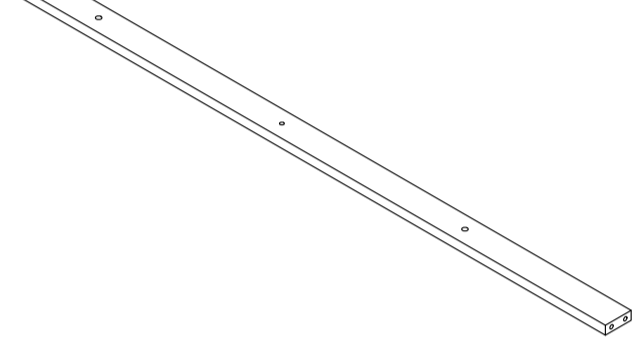
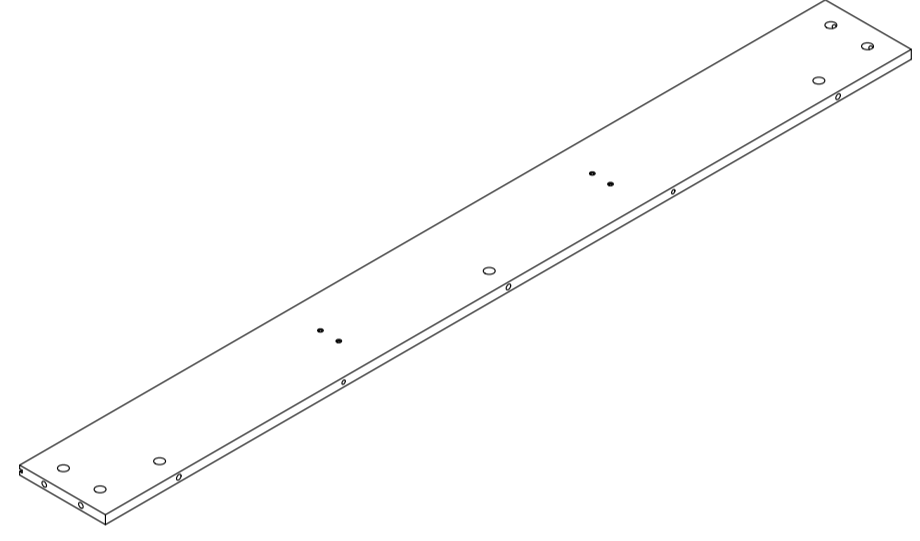

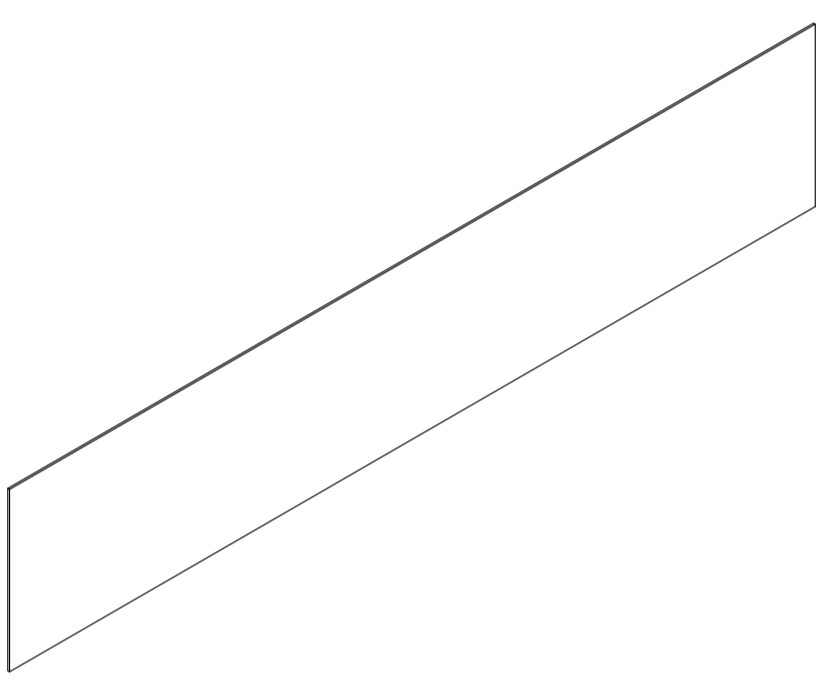
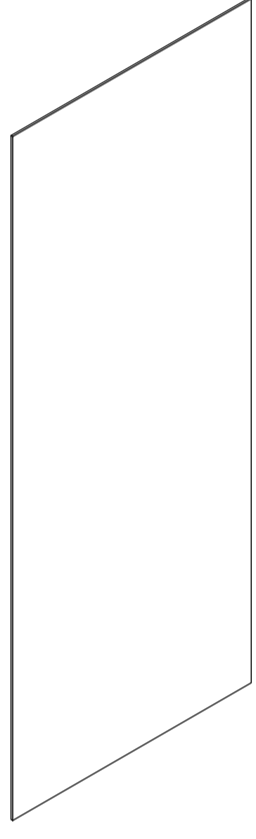
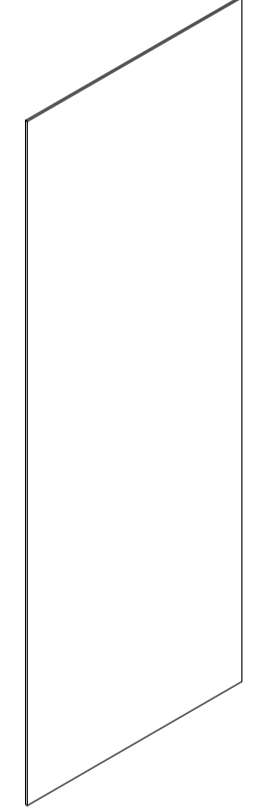
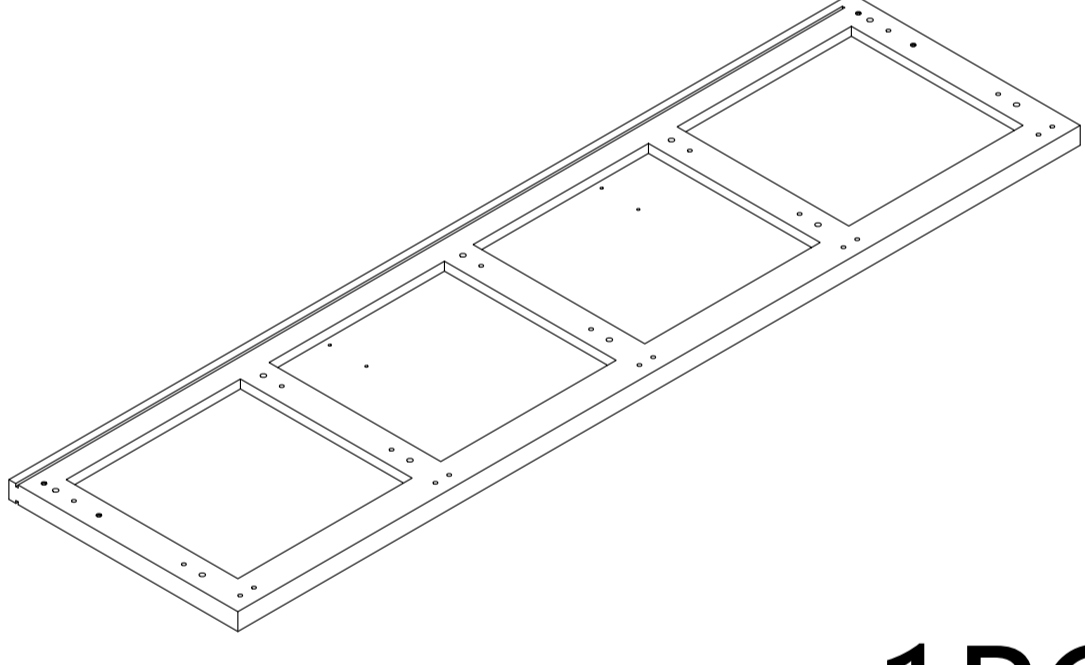
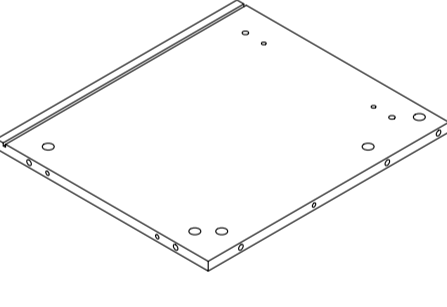
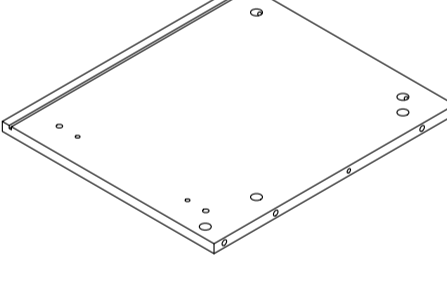
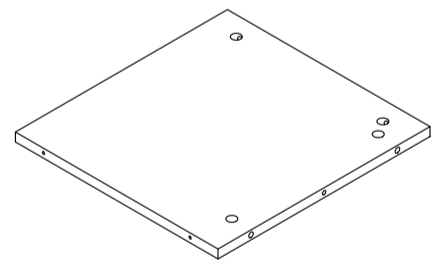
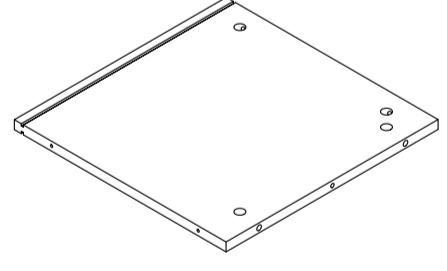
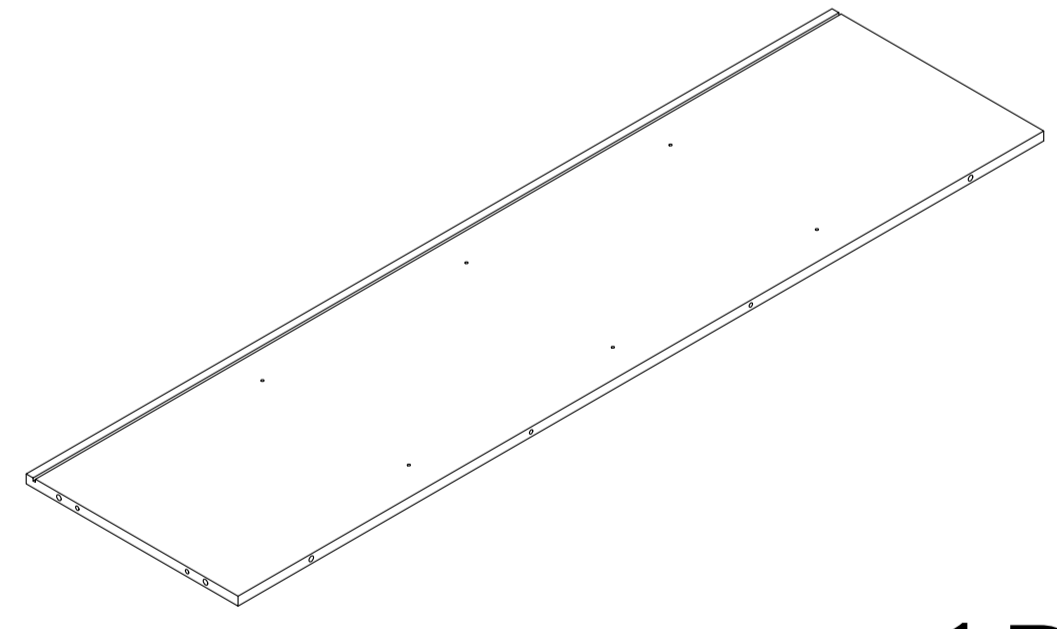
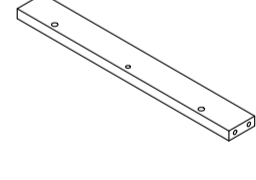
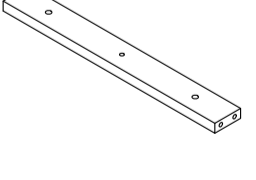
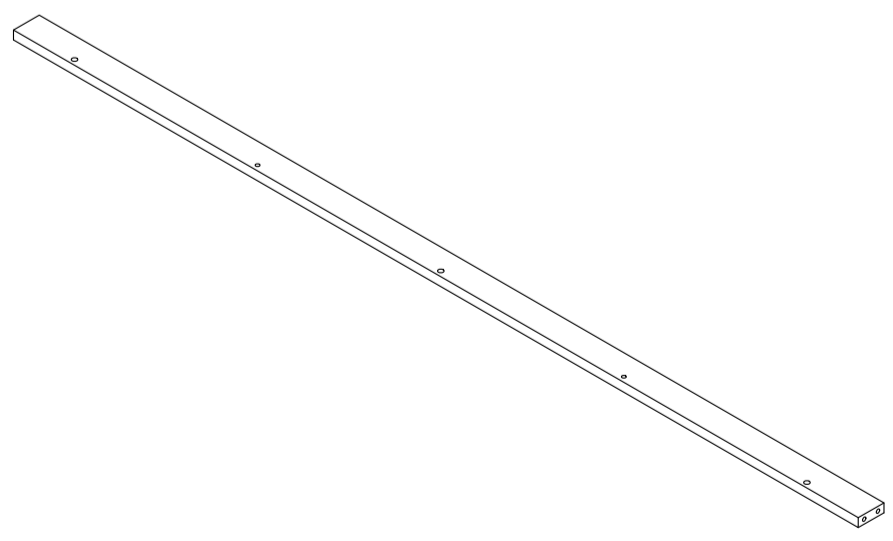
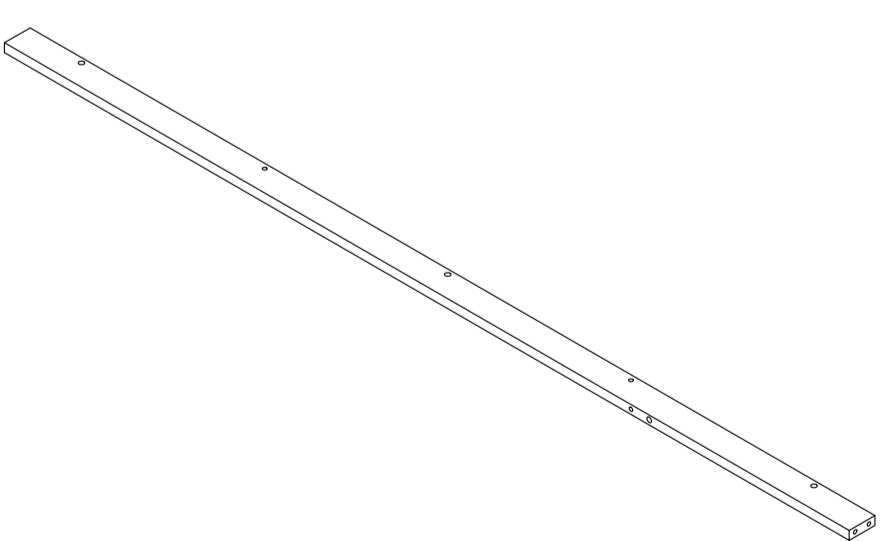
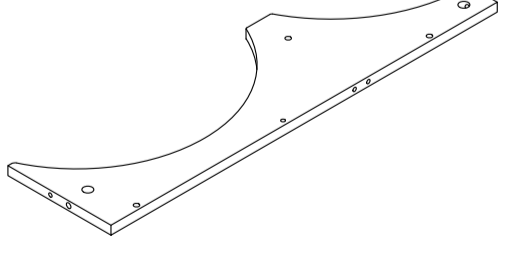
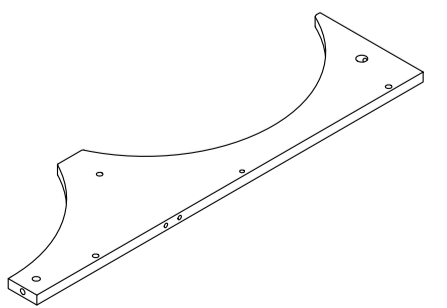
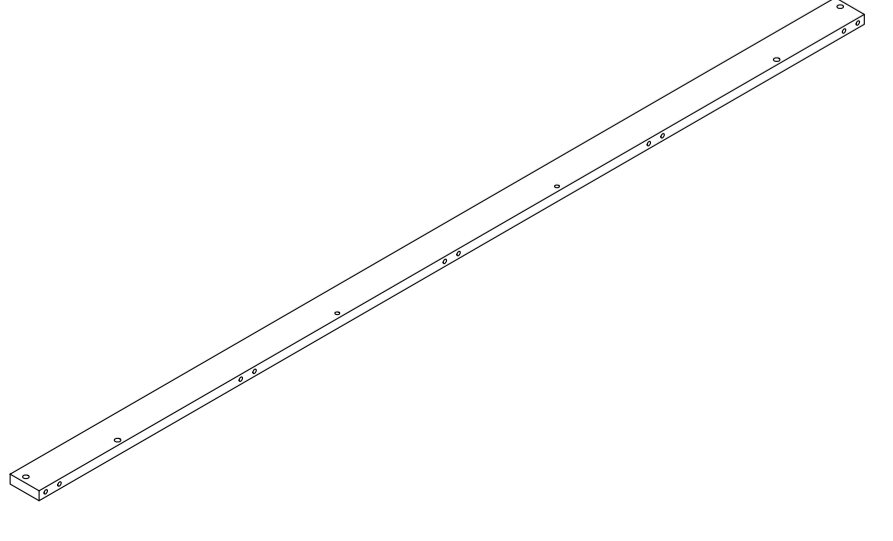
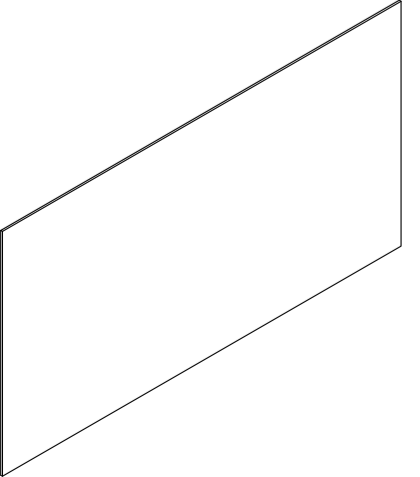
The joint is now secure.



Assembly Instructions

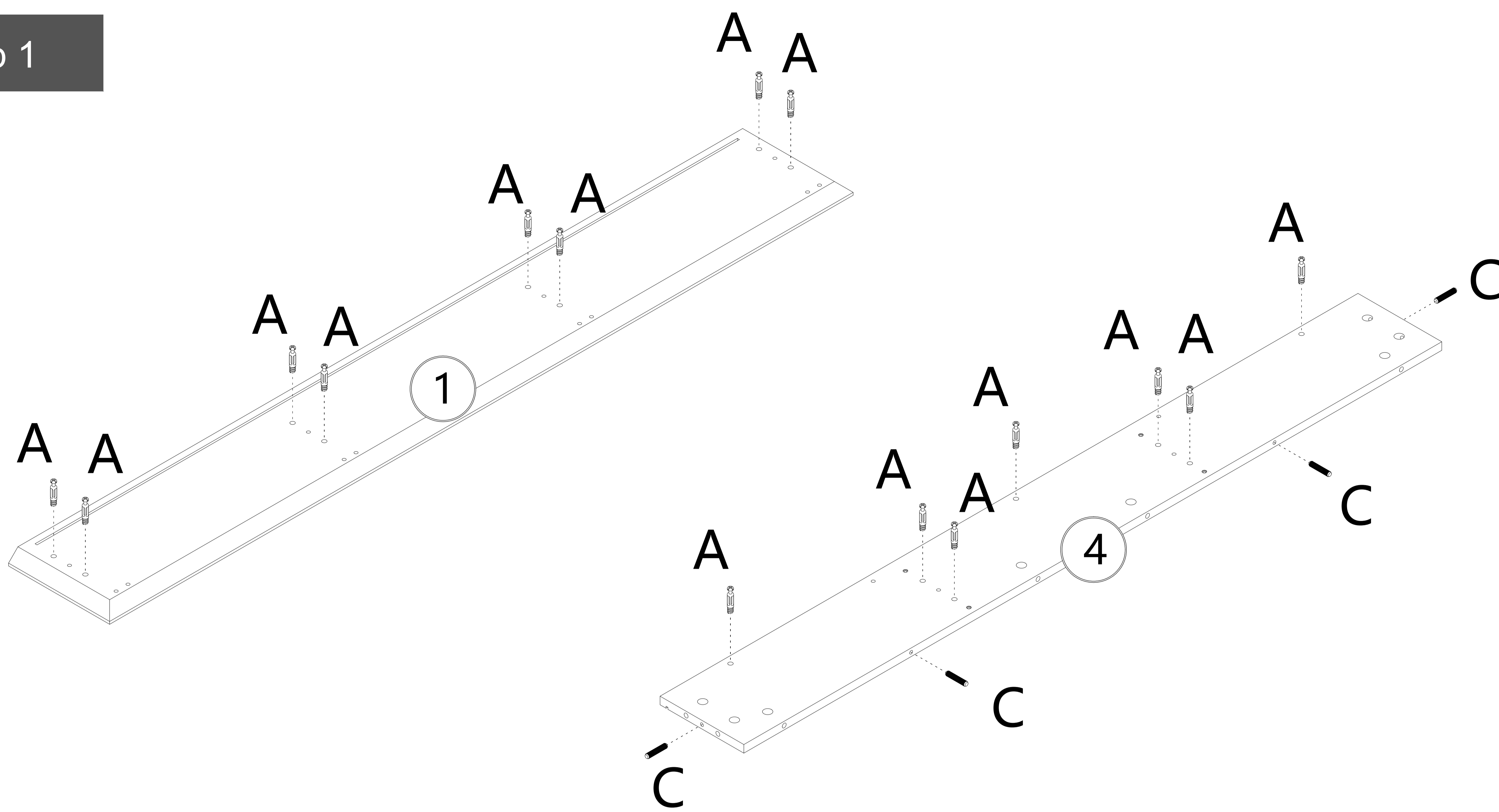


There is 1 box of this product.

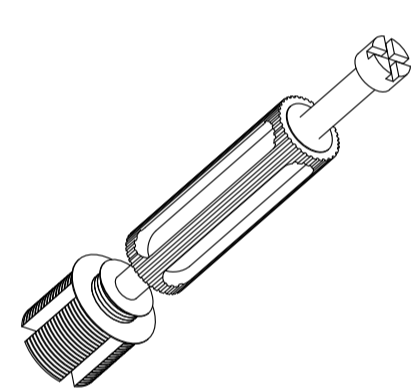
① 1500*204*24mm  1PC	② 1476*169*15mm  1PC	③ 1476*169*15mm  1PC	④ 1408*169*15mm  1PC
⑤ 276*153*15mm  2PCS	⑥ 275.5*45*15mm  2PCS	⑦ 1185*147.5*15mm  2PCS	⑧ 1020.5*45*15mm  2PCS
⑨ 1408*150*15mm  1PC	⑩ 1035*100*15mm  2PCS	⑪ 1416*283*3mm  1PC	⑫ 1043*424.5*3mm  2PCS
⑬ 1043*383*3mm  1PC	⑭ 1442*400*30mm  1PC	⑮ 420.5*370*15mm  1PC	⑯ 420.5*370*15mm  1PC
⑰ 370.5*354*15mm  2PCS	⑱ 370.5*370*15mm  1PC	⑲ 1408*370*15mm  1PC	⑳ 370*45*15mm  2PCS
㉑ 370*45*15mm  3PCS	㉒ 1476*45*15mm  1PC	㉓ 1476*45*15mm  1PC	㉔ 675*180*15mm  1PC
㉕ 675*180*15mm  1PC	㉖ 1442*50.5*15mm  1PC	㉗ 703.5*378.5*3mm  2PCS	

Assembly Instructions

Step 1

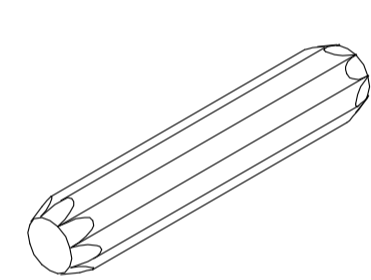


A



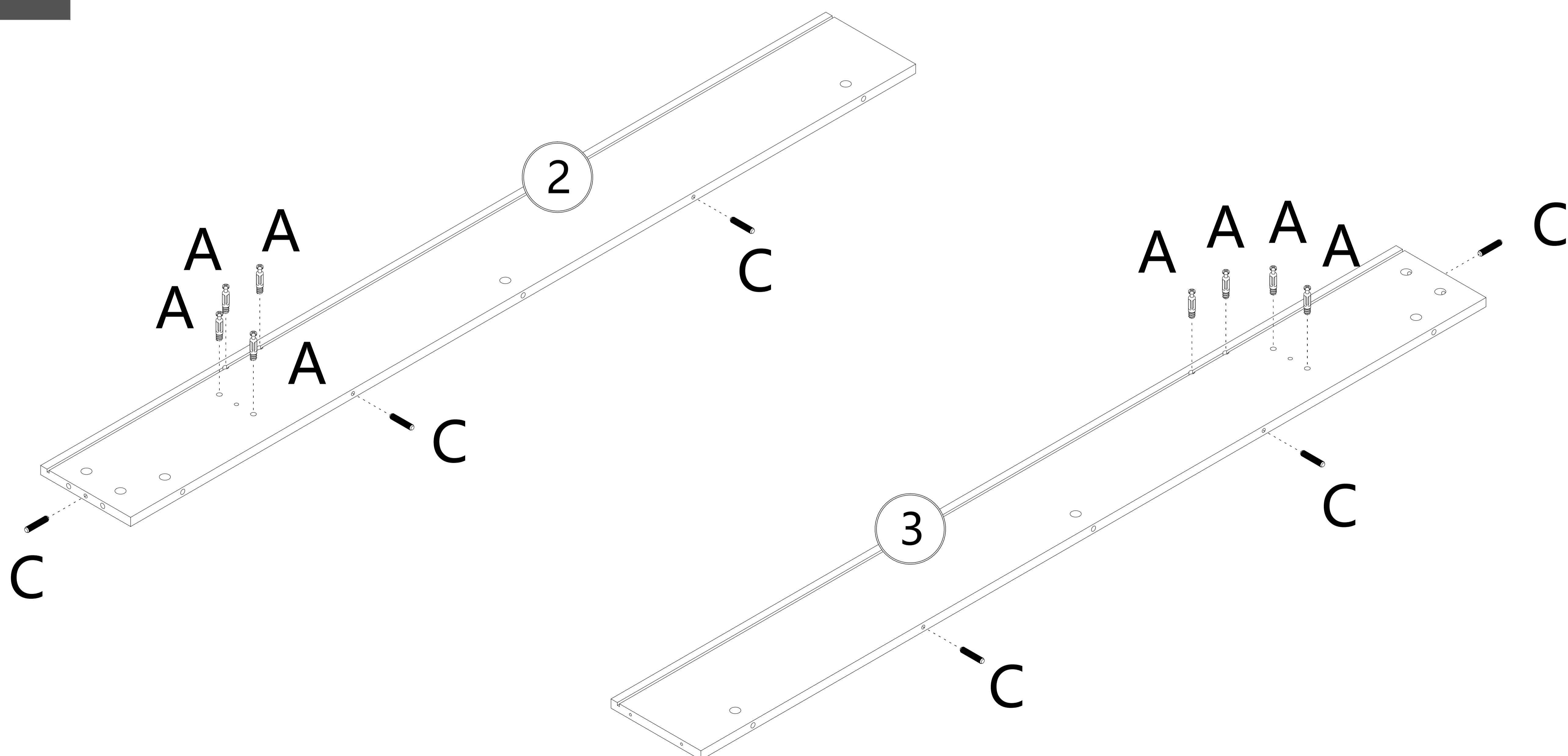
Cam Bolt x 15

C

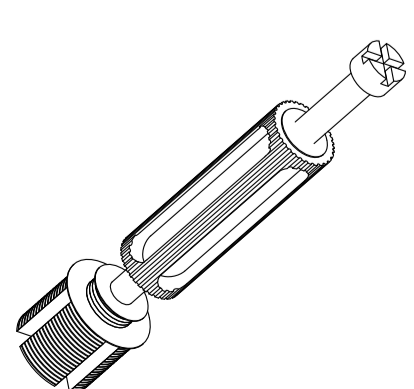


Dowel x 4

Step 2

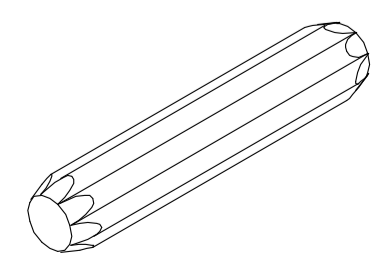


A



Cam Bolt x 8

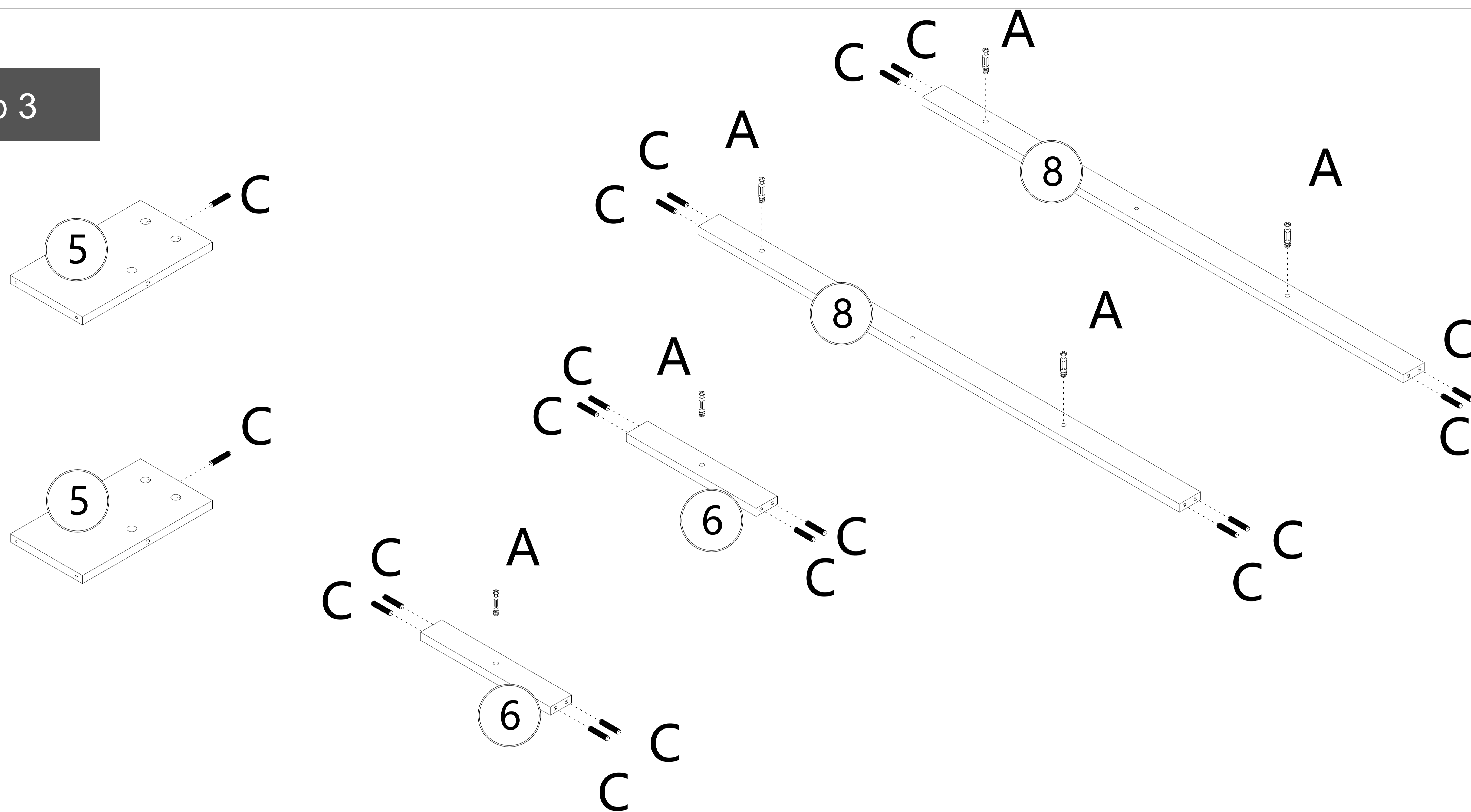
C



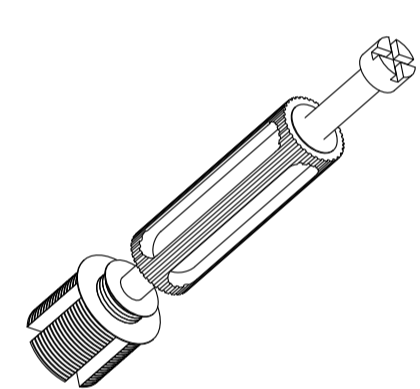
Dowel x 6

Assembly Instructions

Step 3

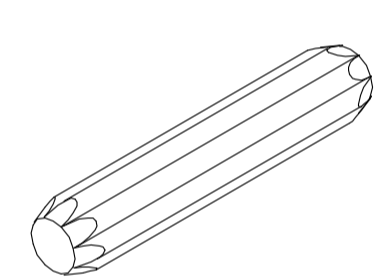


A



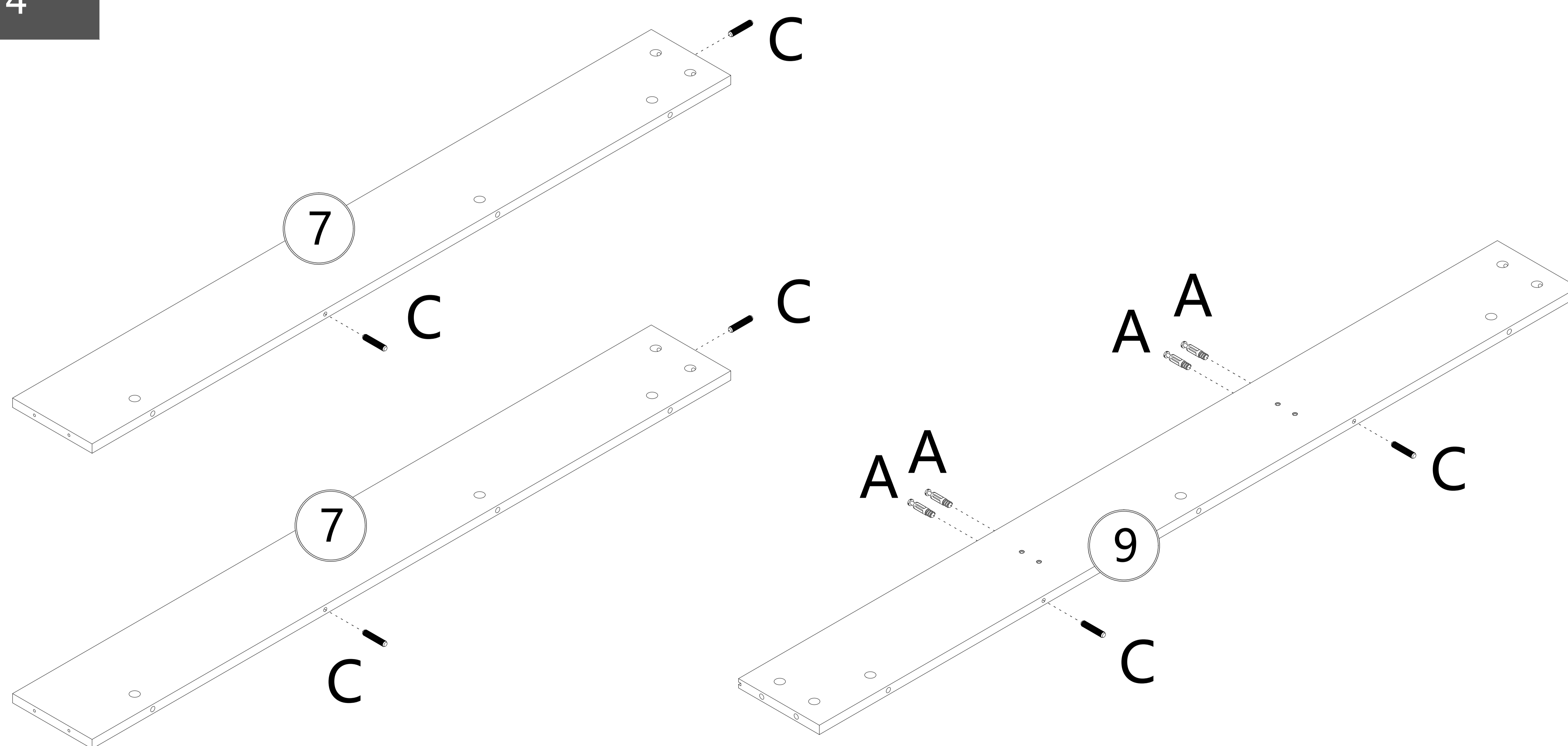
Cam Bolt x 6

C

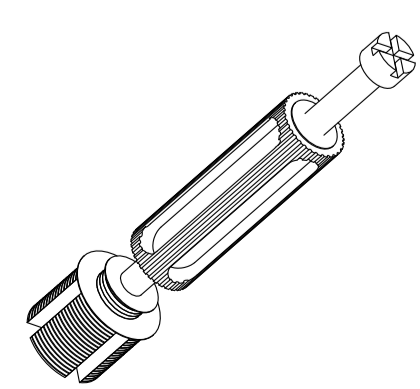


Dowel x 18

Step 4

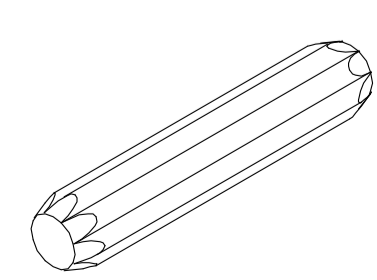


A



Cam Bolt x 4

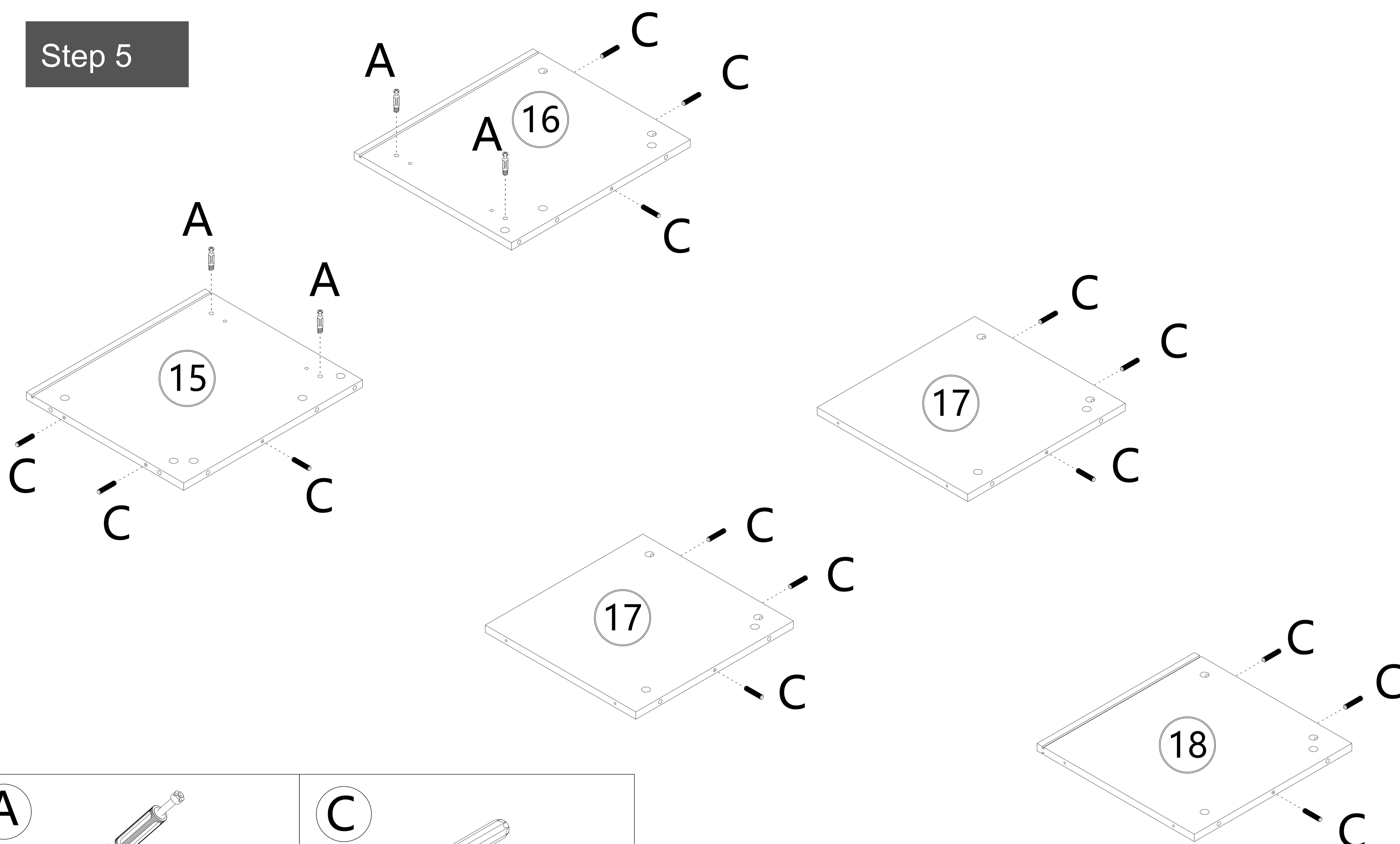
C



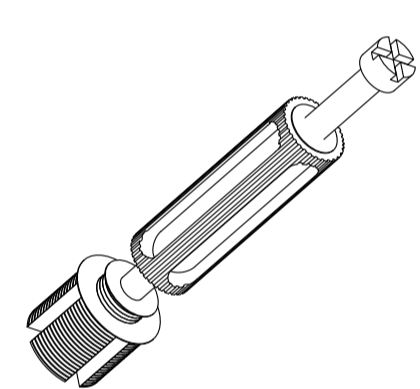
Dowel x 6

Assembly Instructions

Step 5

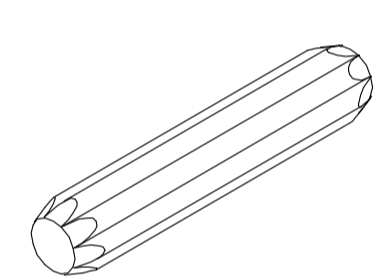


A



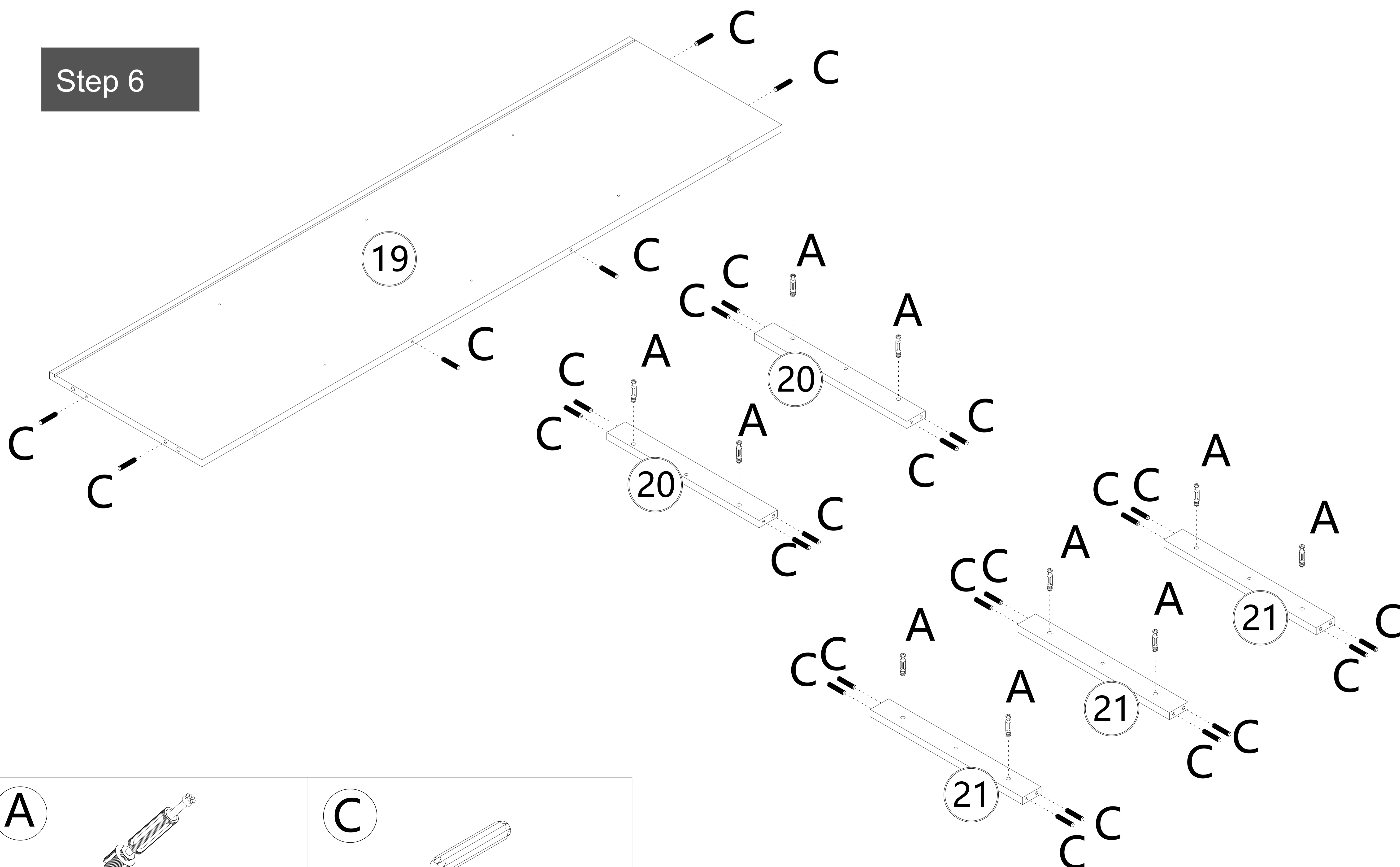
Cam Bolt x 4

C

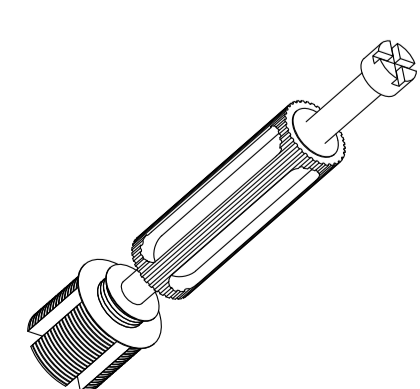


Dowel x 15

Step 6

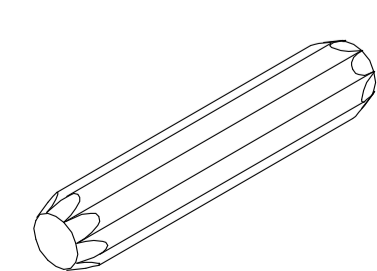


A



Cam Bolt x 10

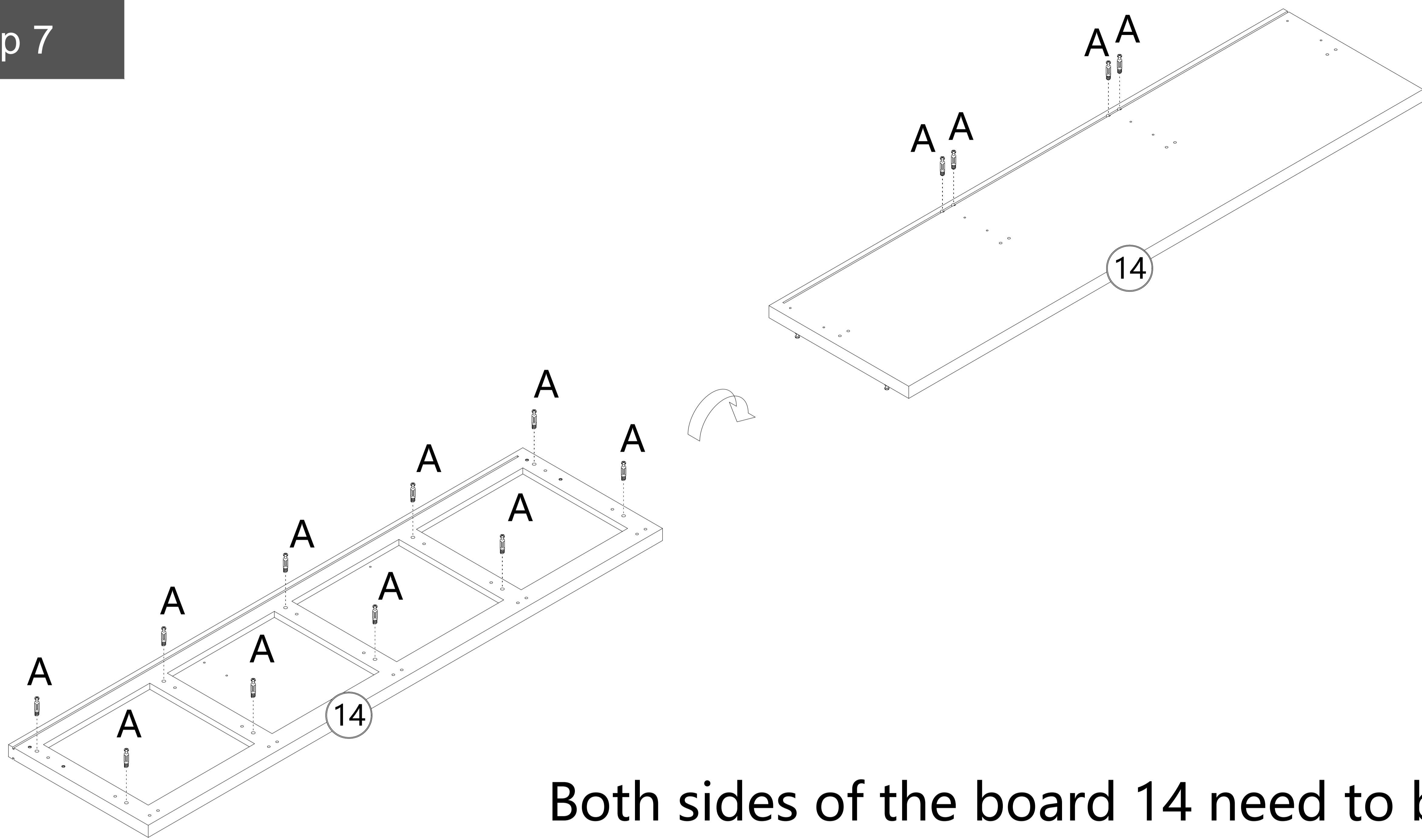
C



Dowel x 26

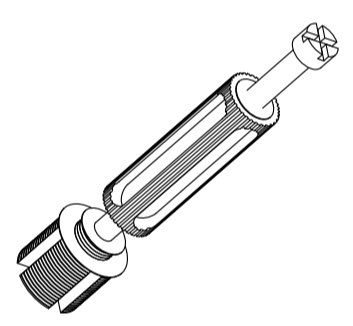
Assembly Instructions

Step 7



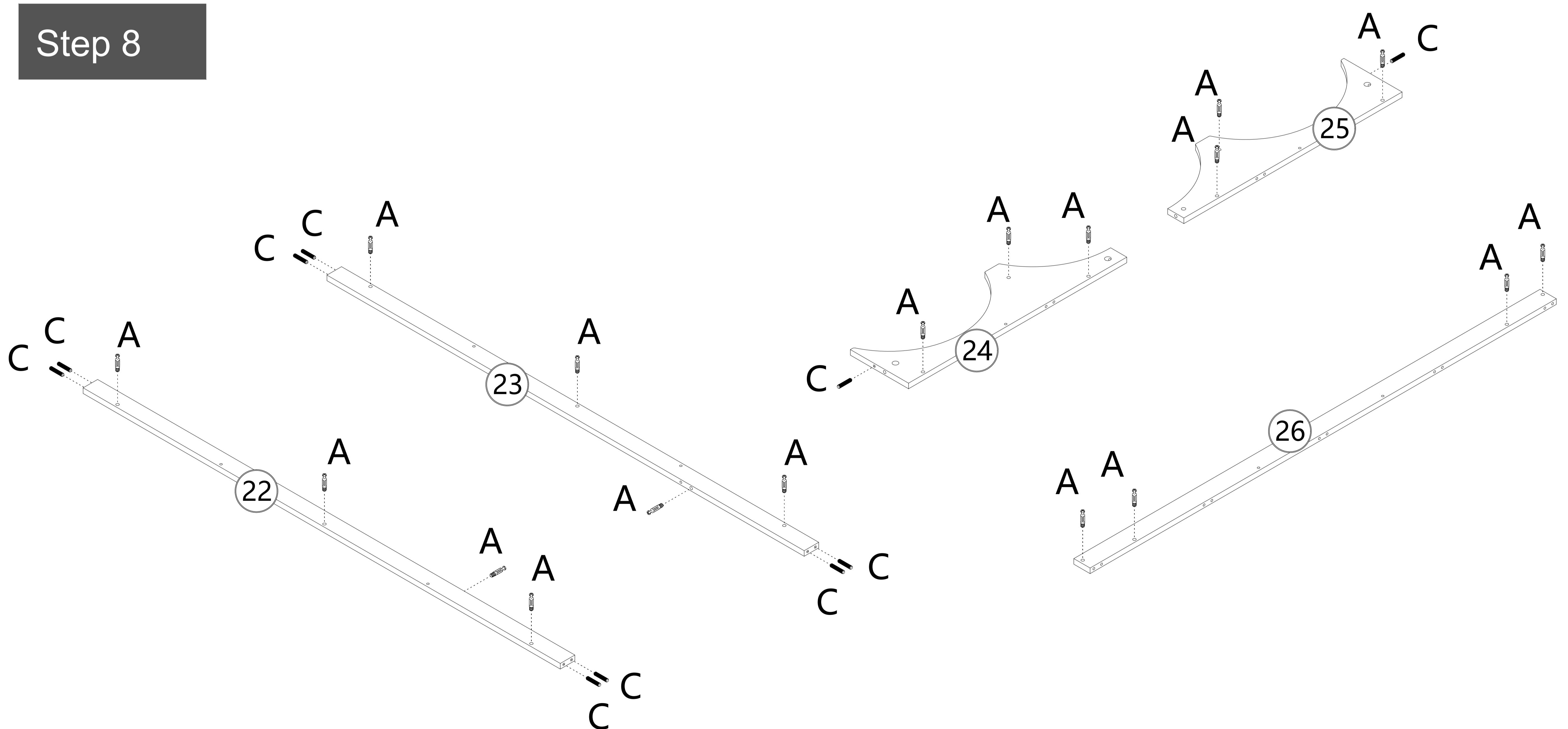
Both sides of the board 14 need to be installed with screws.

A

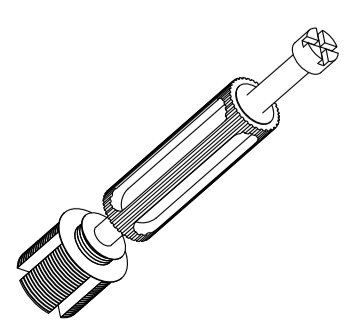


Cam Bolt x 14

Step 8

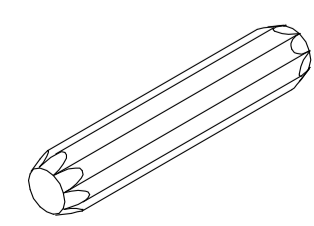


A



Cam Bolt x 18

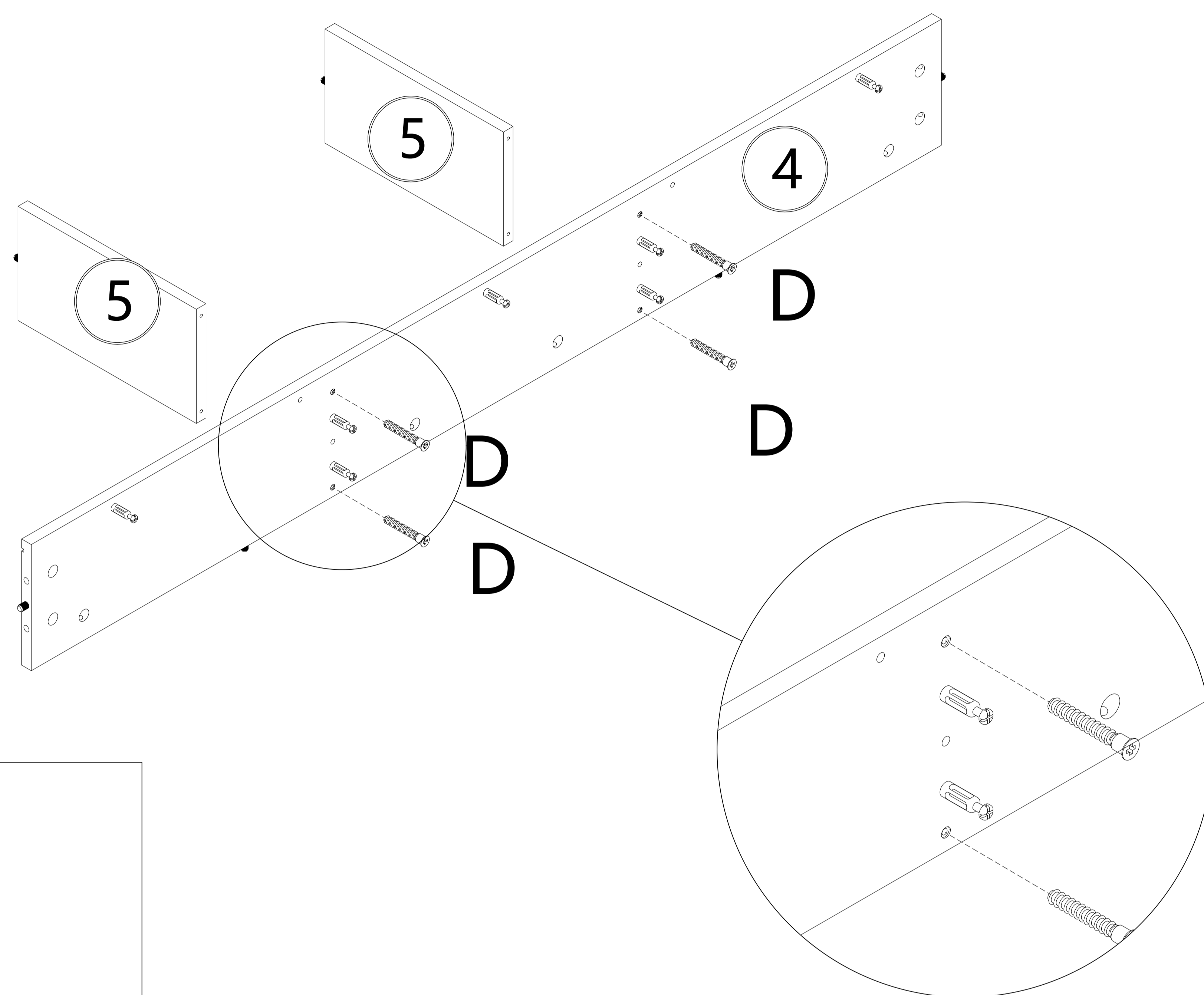
C



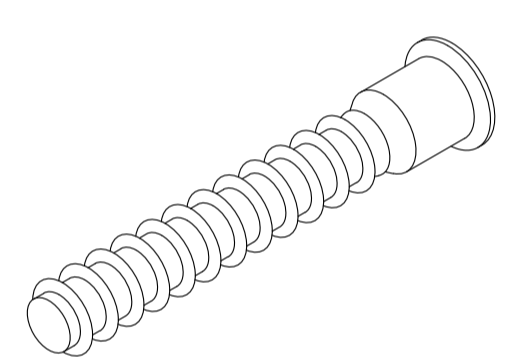
Dowel x 10

Assembly Instructions

Step 9

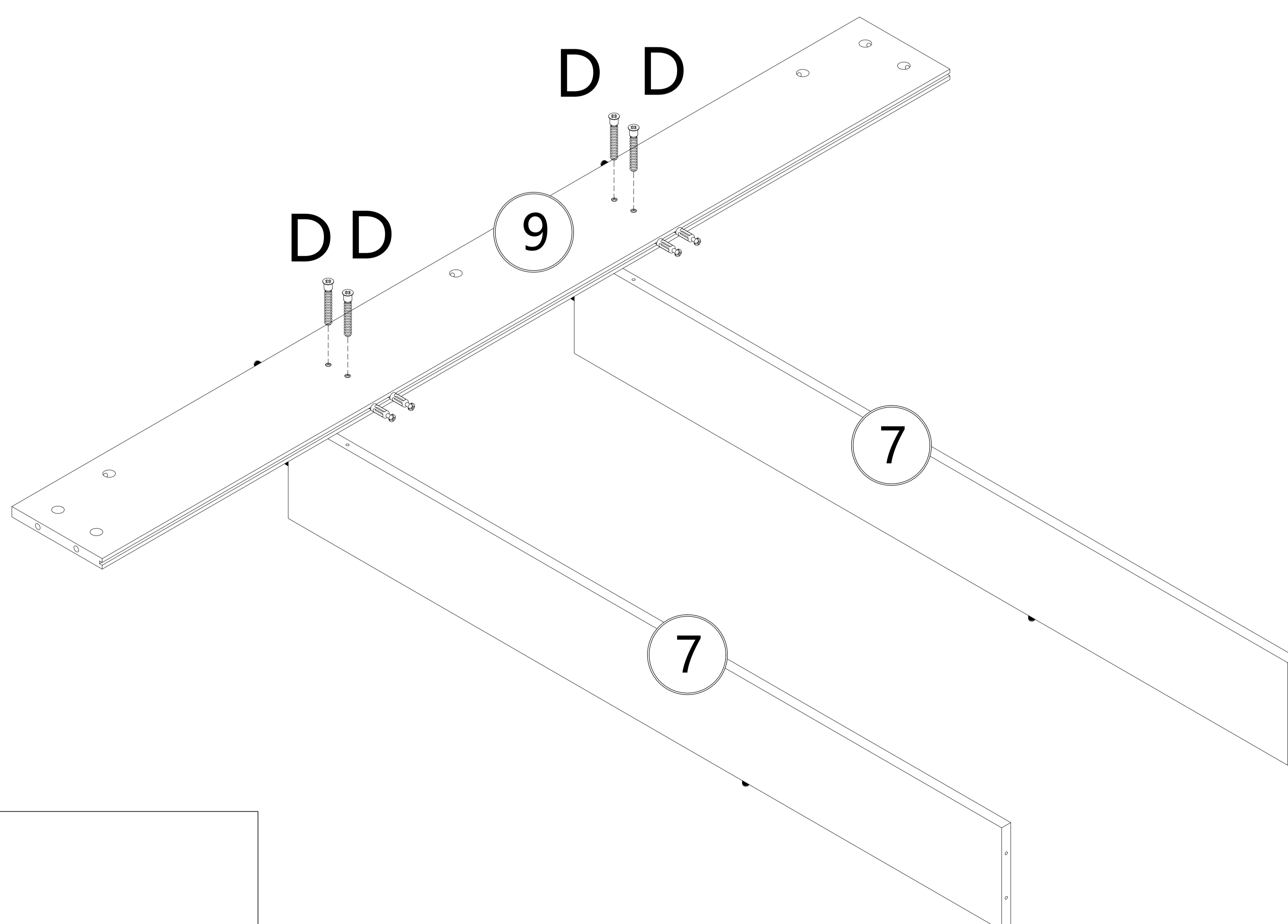


D

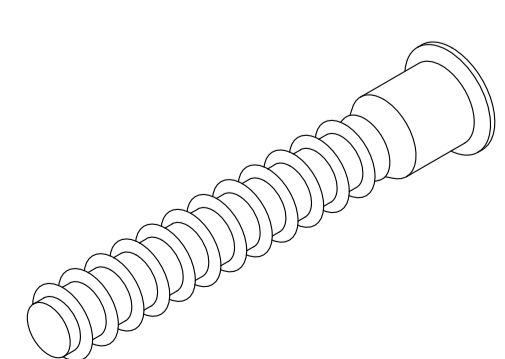


7*50mm Screw x 4

Step 10



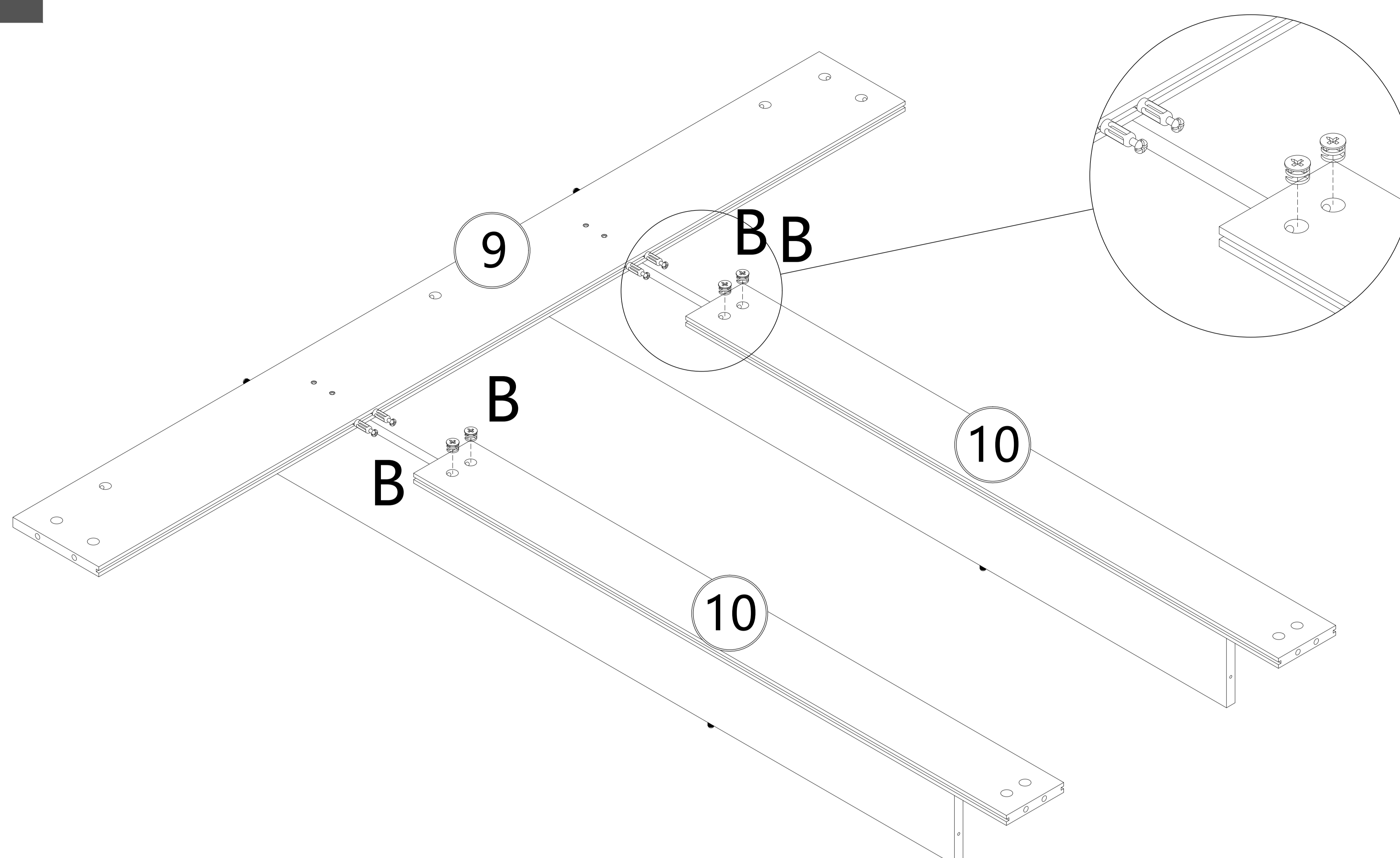
D



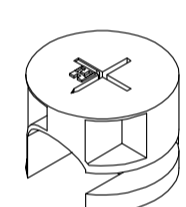
7*50mm Screw x 4

Assembly Instructions

Step 11



B

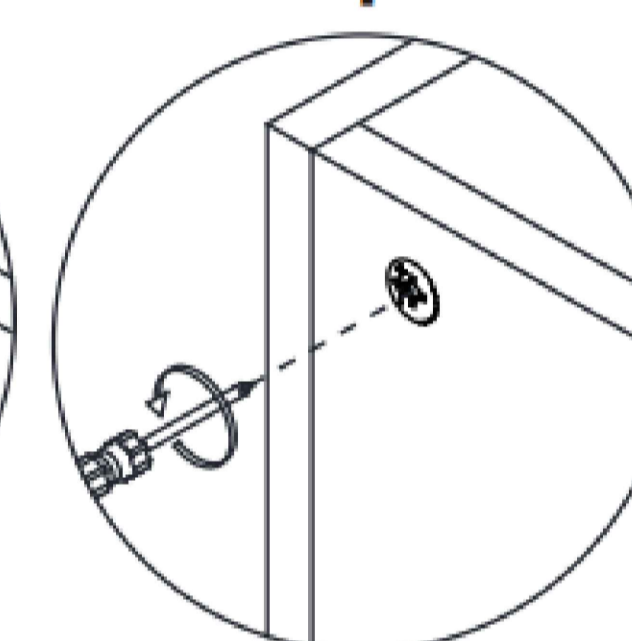
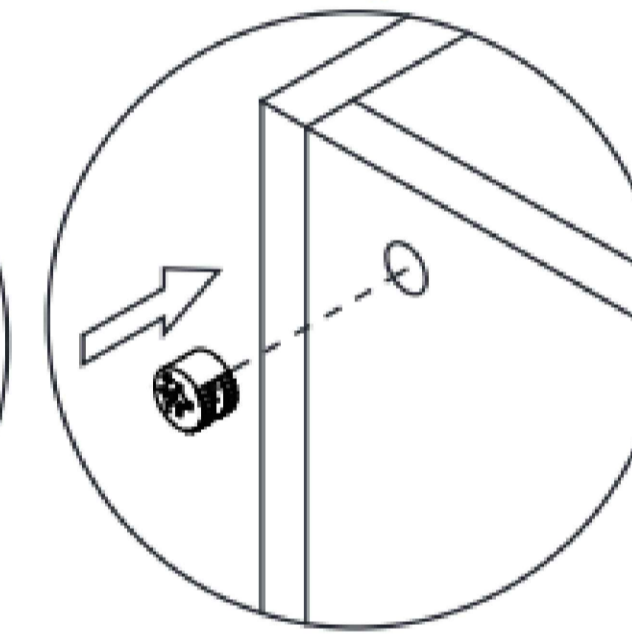
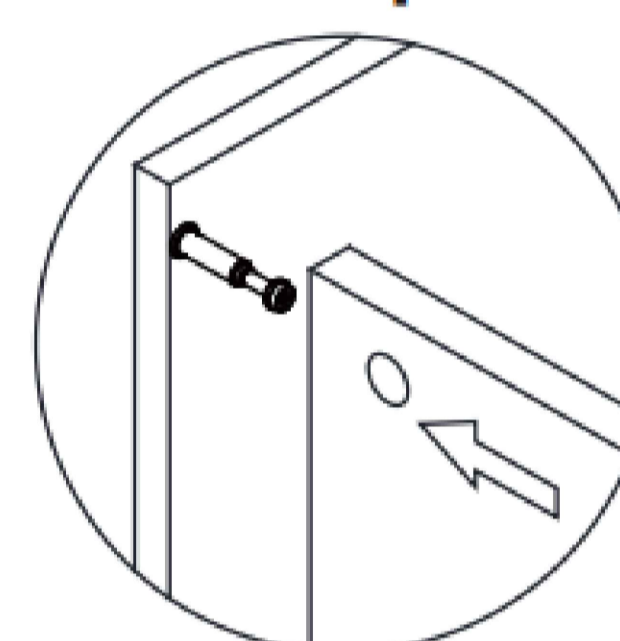


Lock x 4

step1

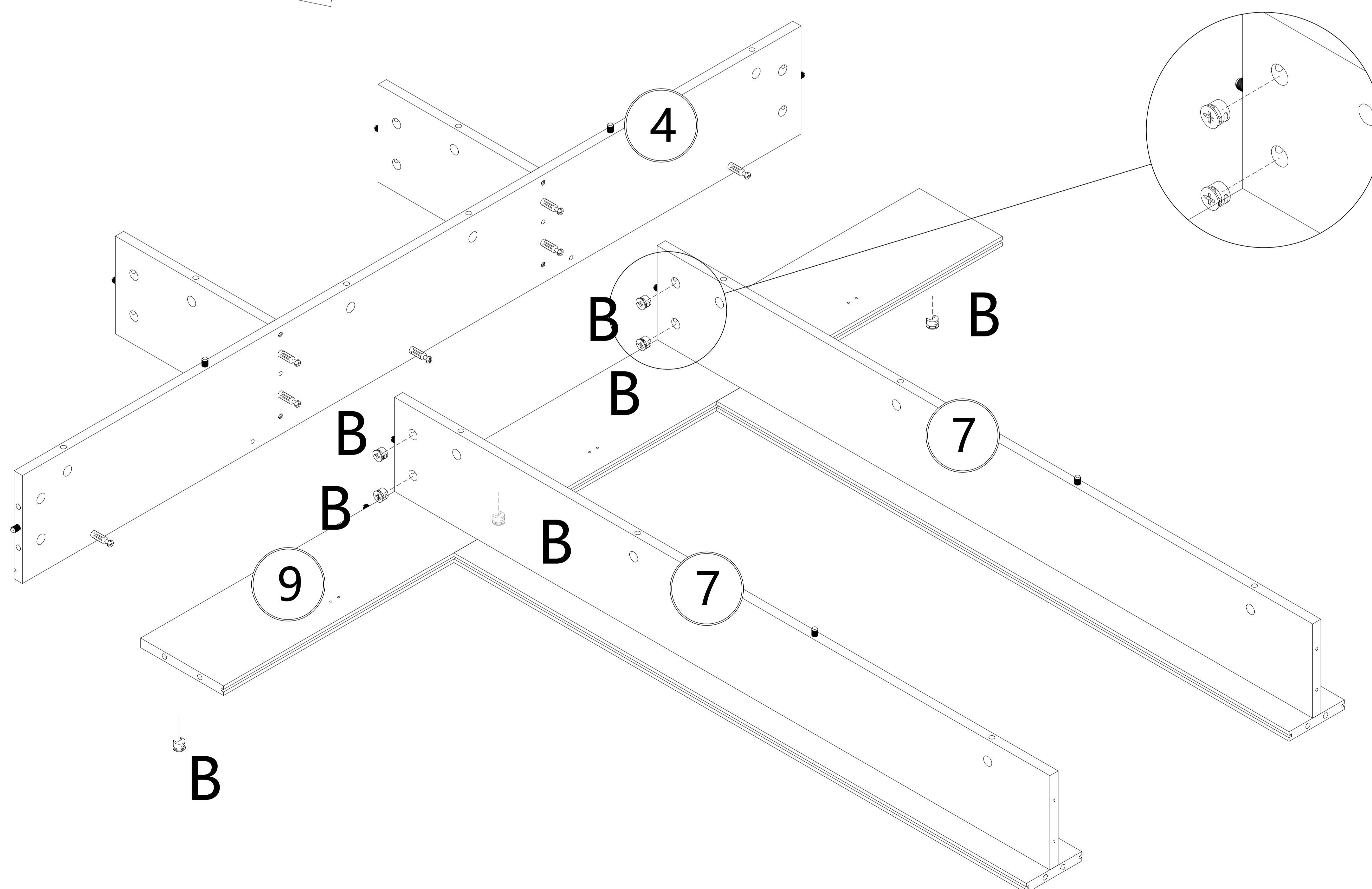
step2

step3

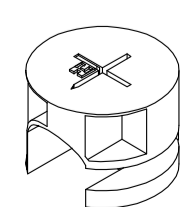


Please flip carefully!

Step 12



B

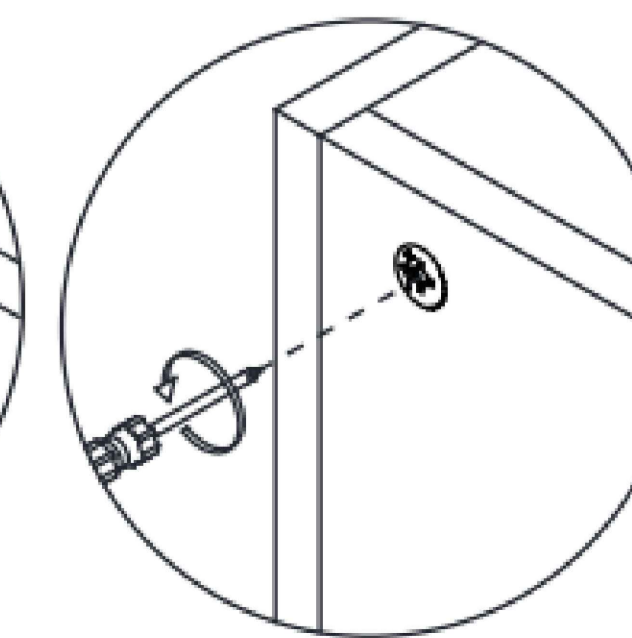
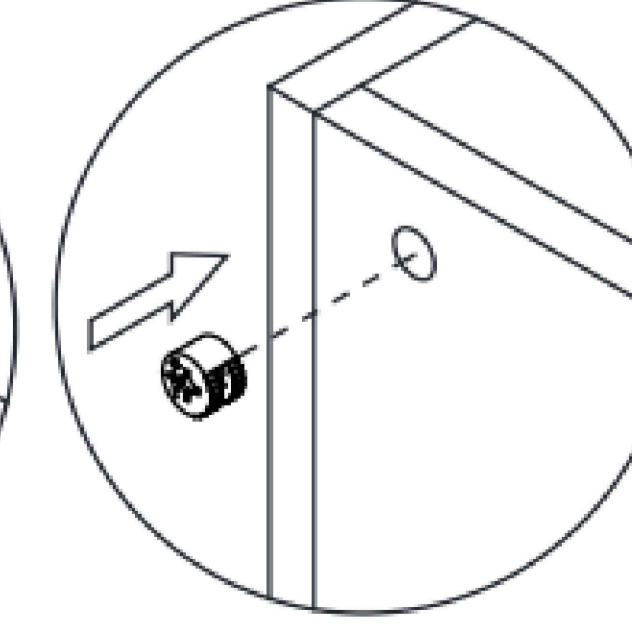
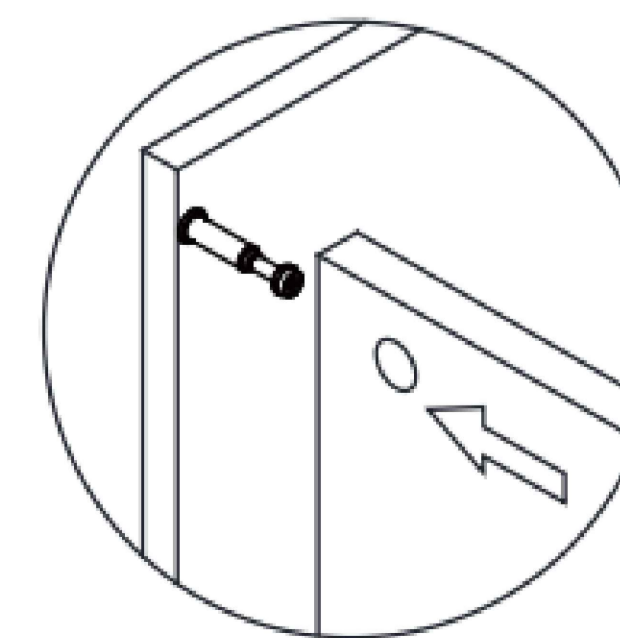


Lock x 7

step1

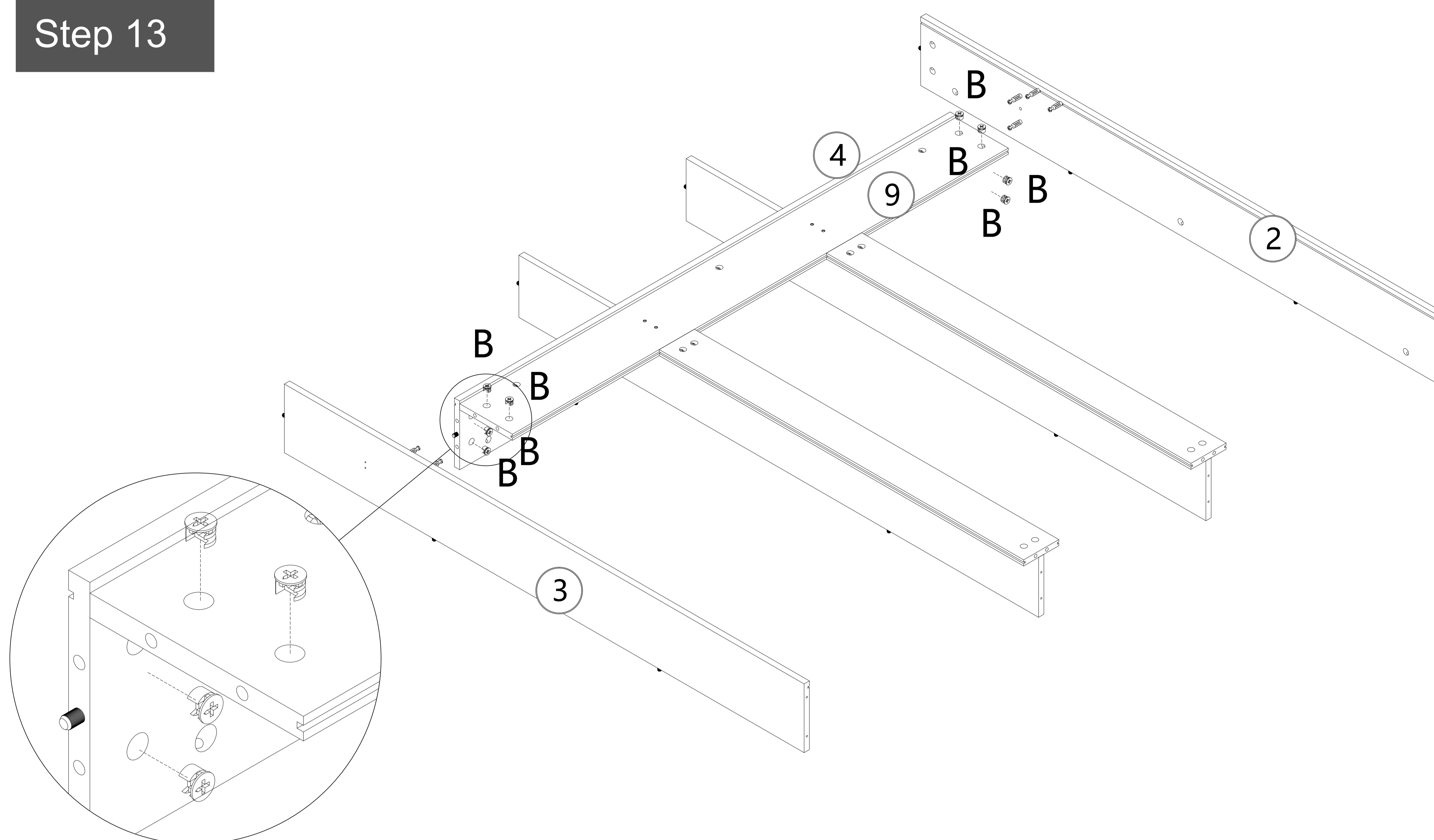
step2

step3

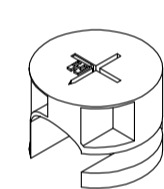


Assembly Instructions

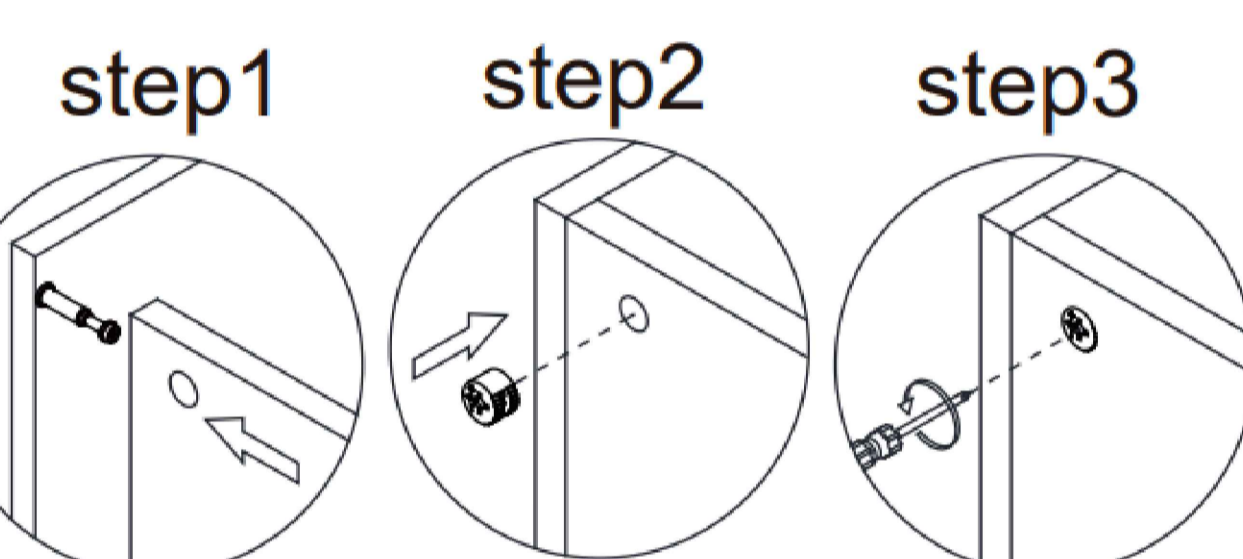
Step 13



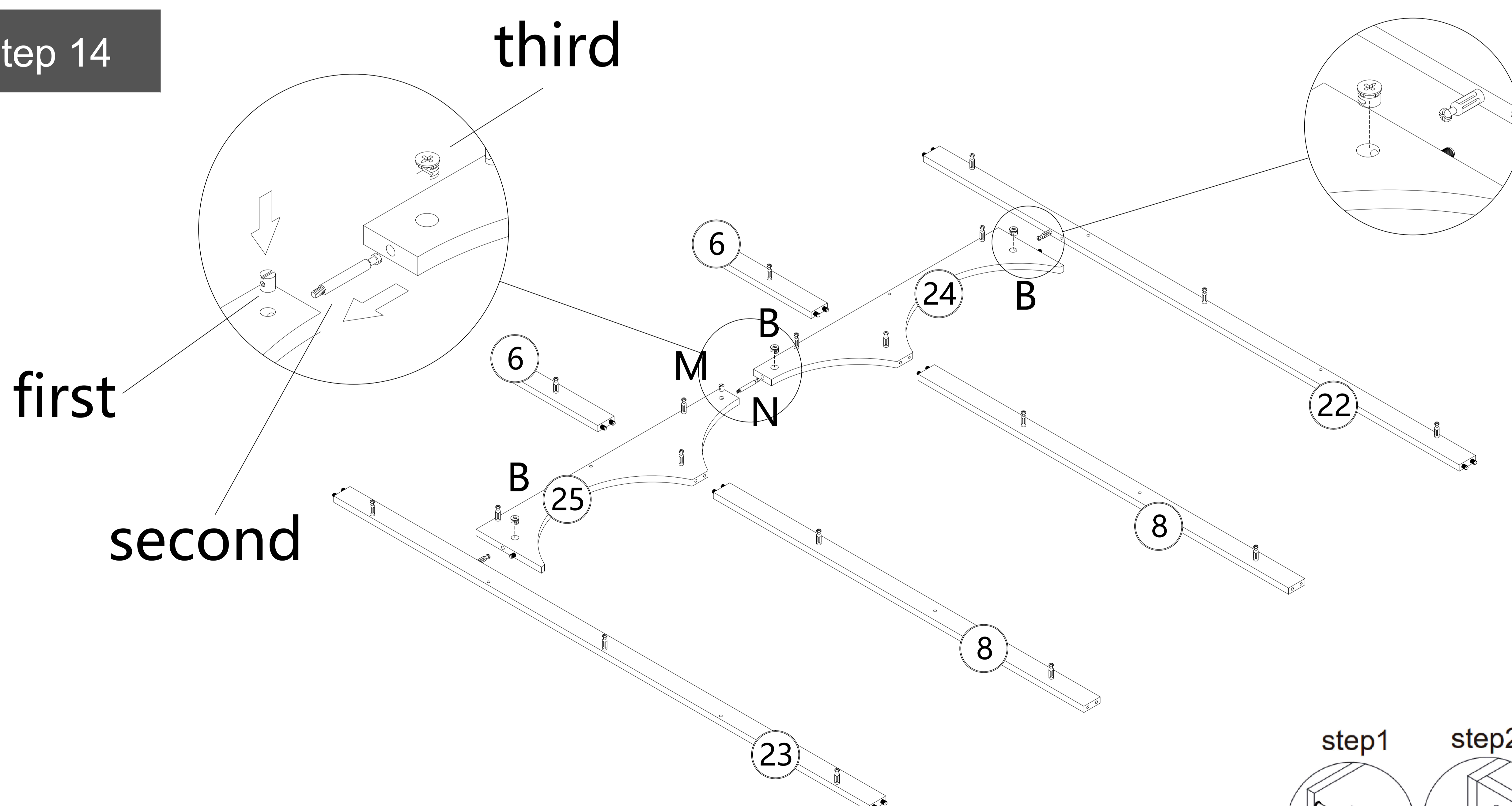
B



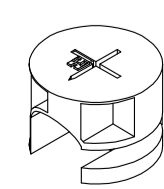
Lock x 8



Step 14

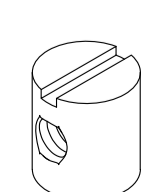


B



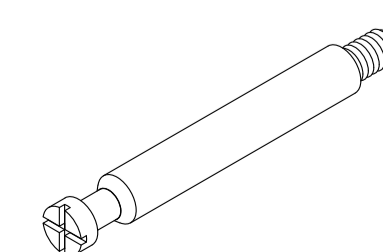
Lock x 3

M

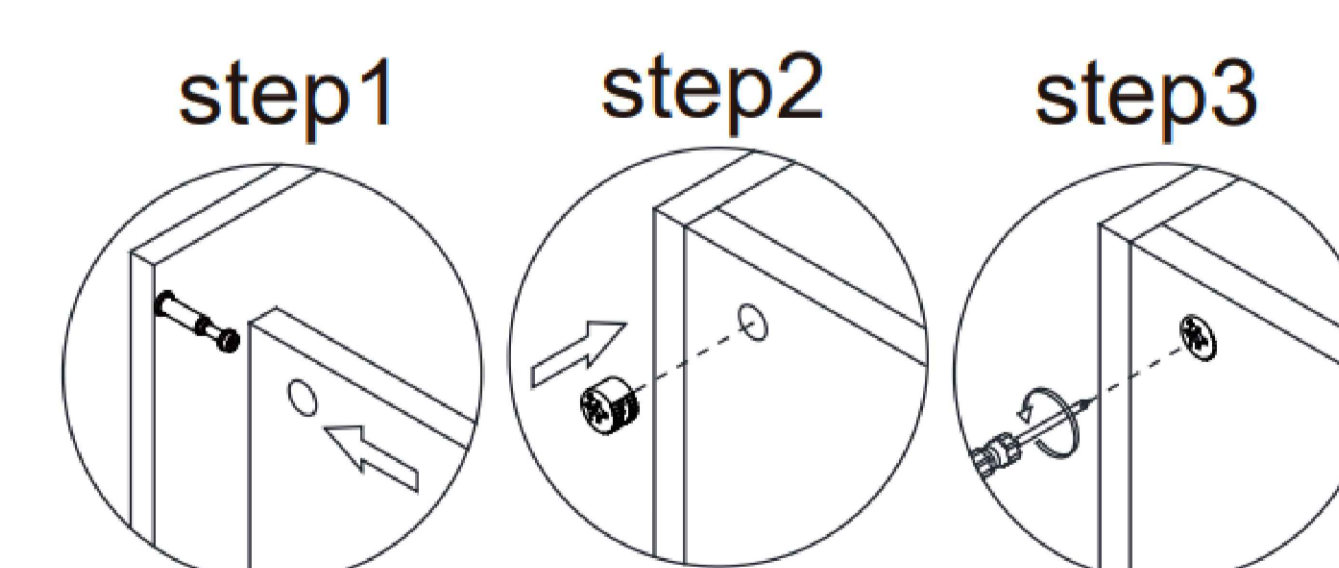


Nut x 1

N

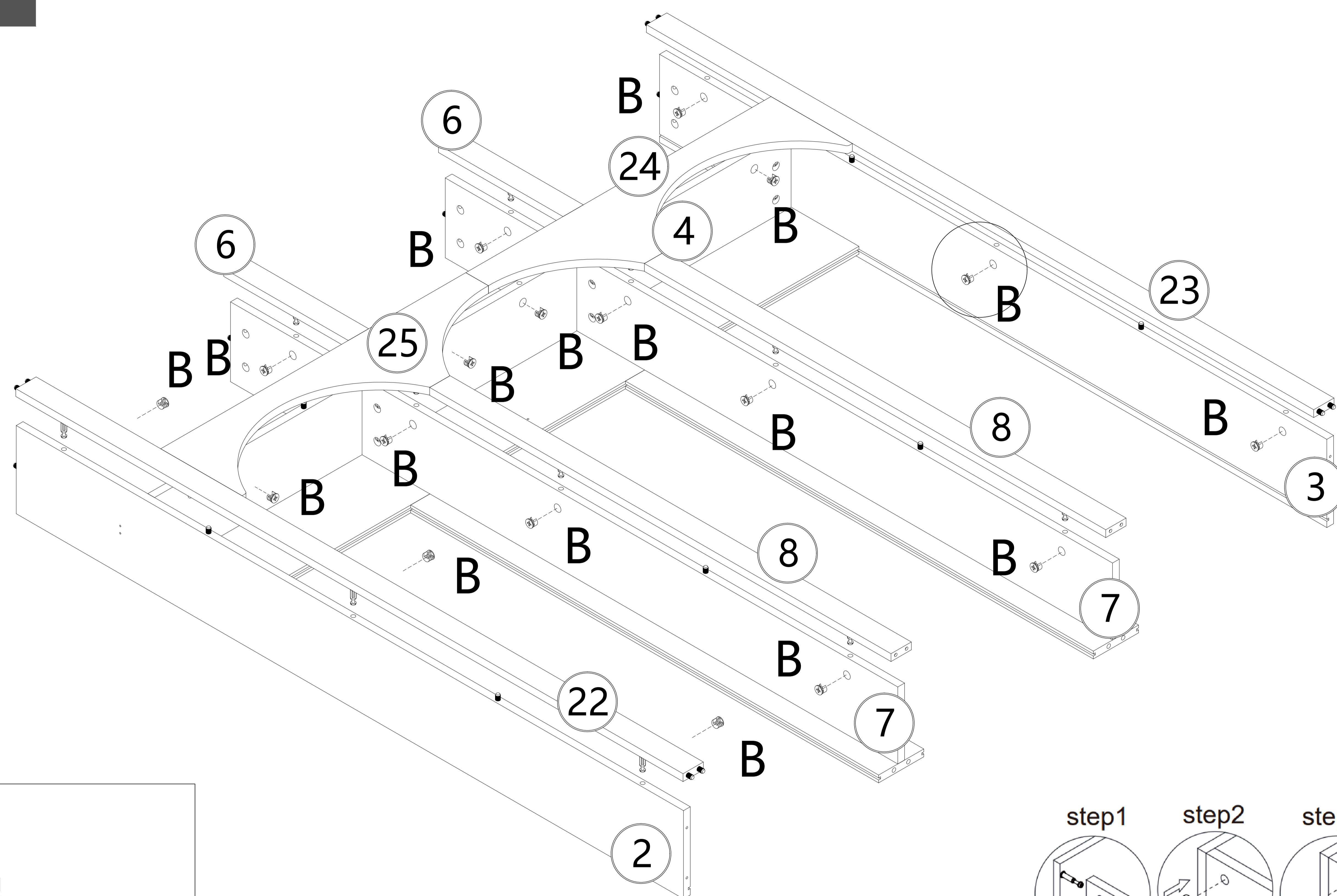


Screw arbor x 1

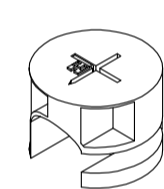


Assembly Instructions

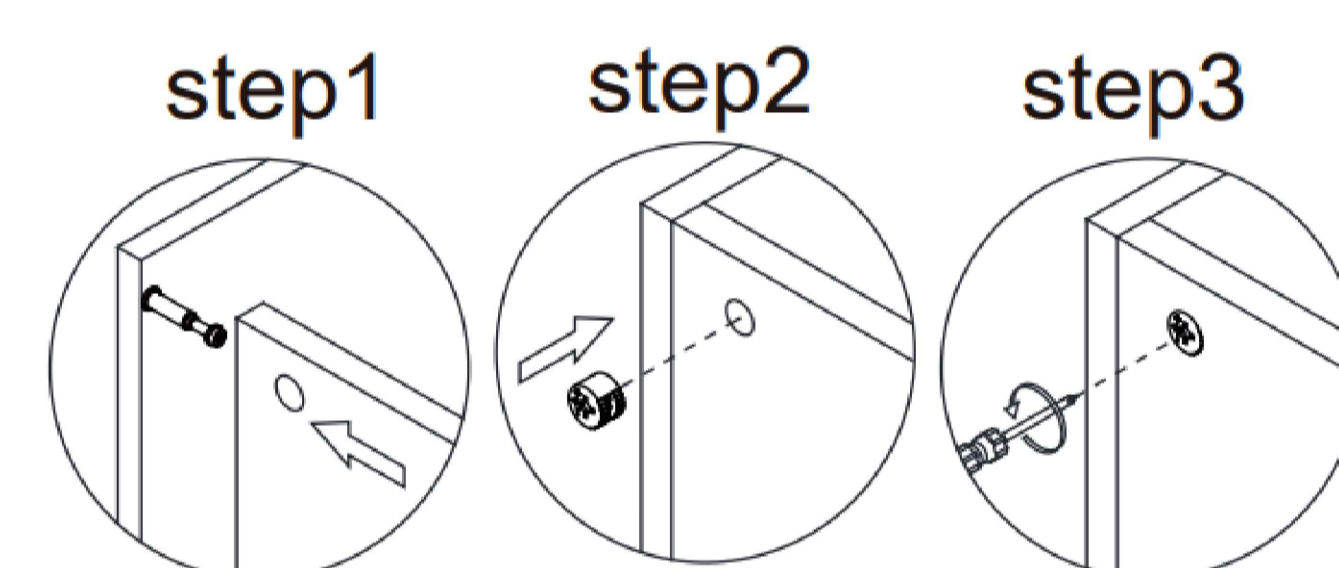
Step 15



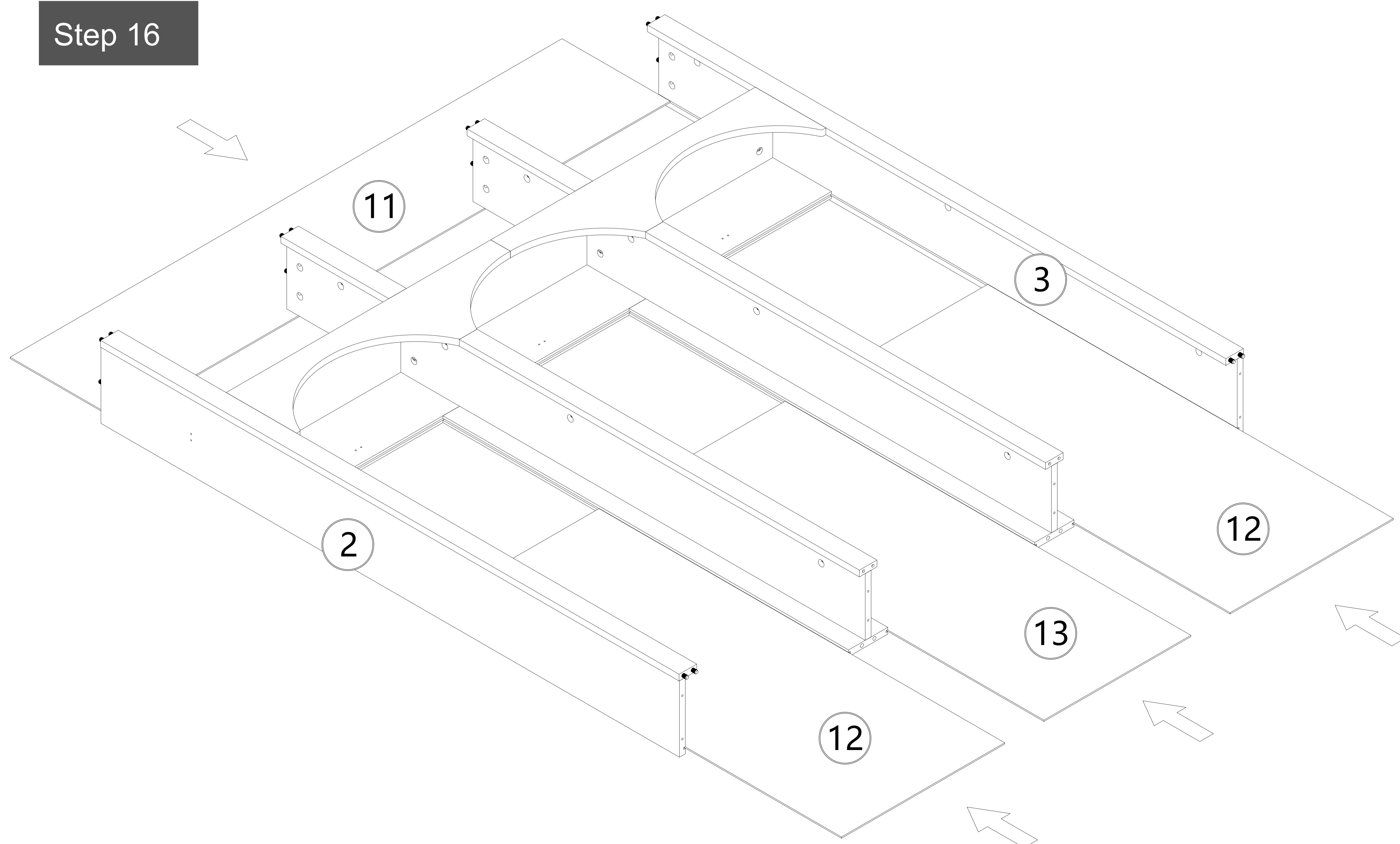
B



Lock x 18

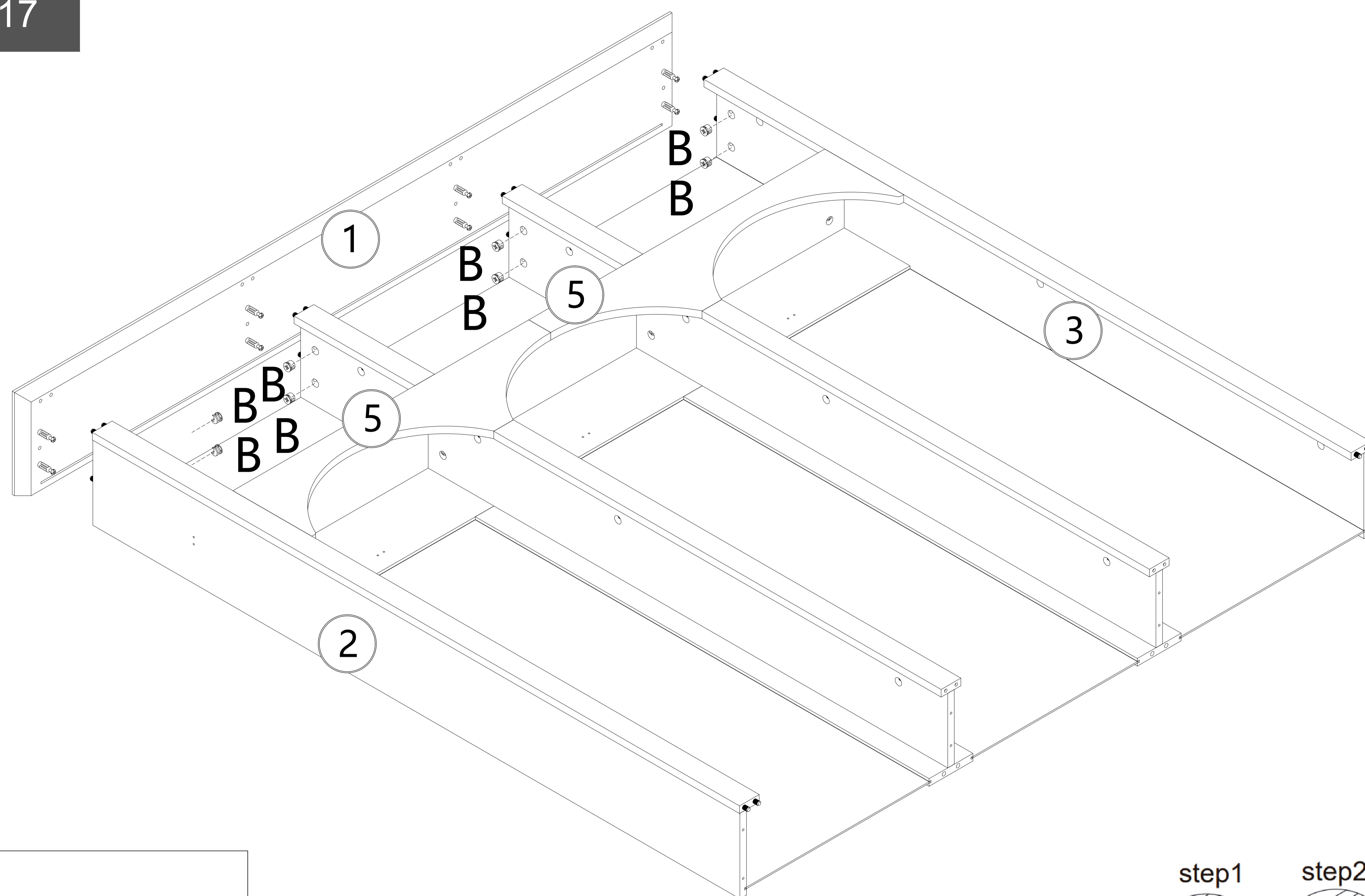


Step 16

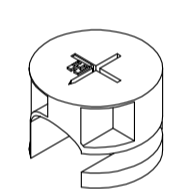


Assembly Instructions

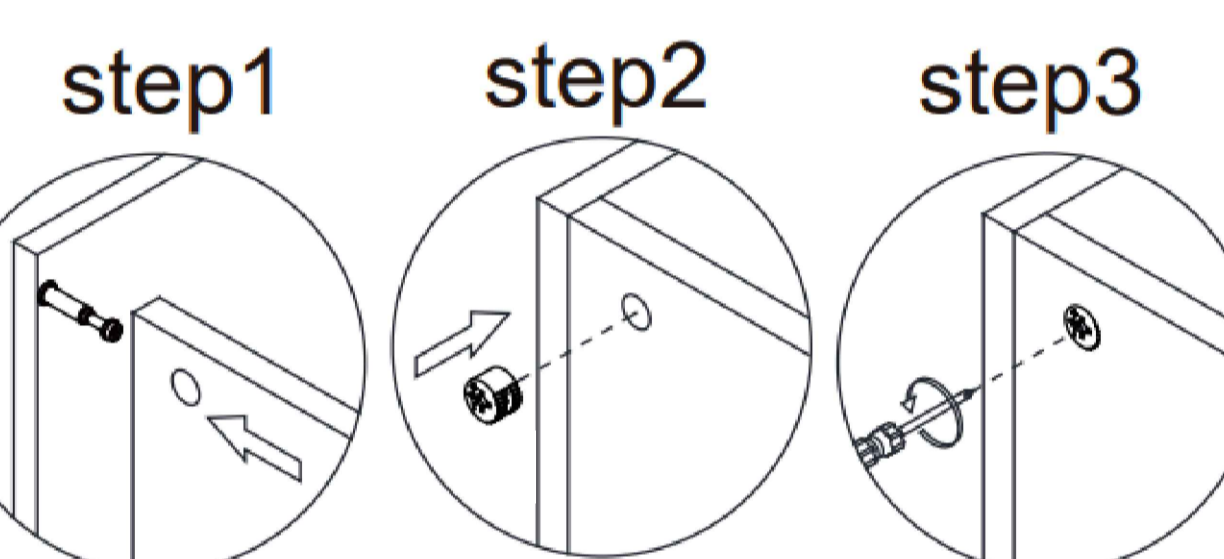
Step 17



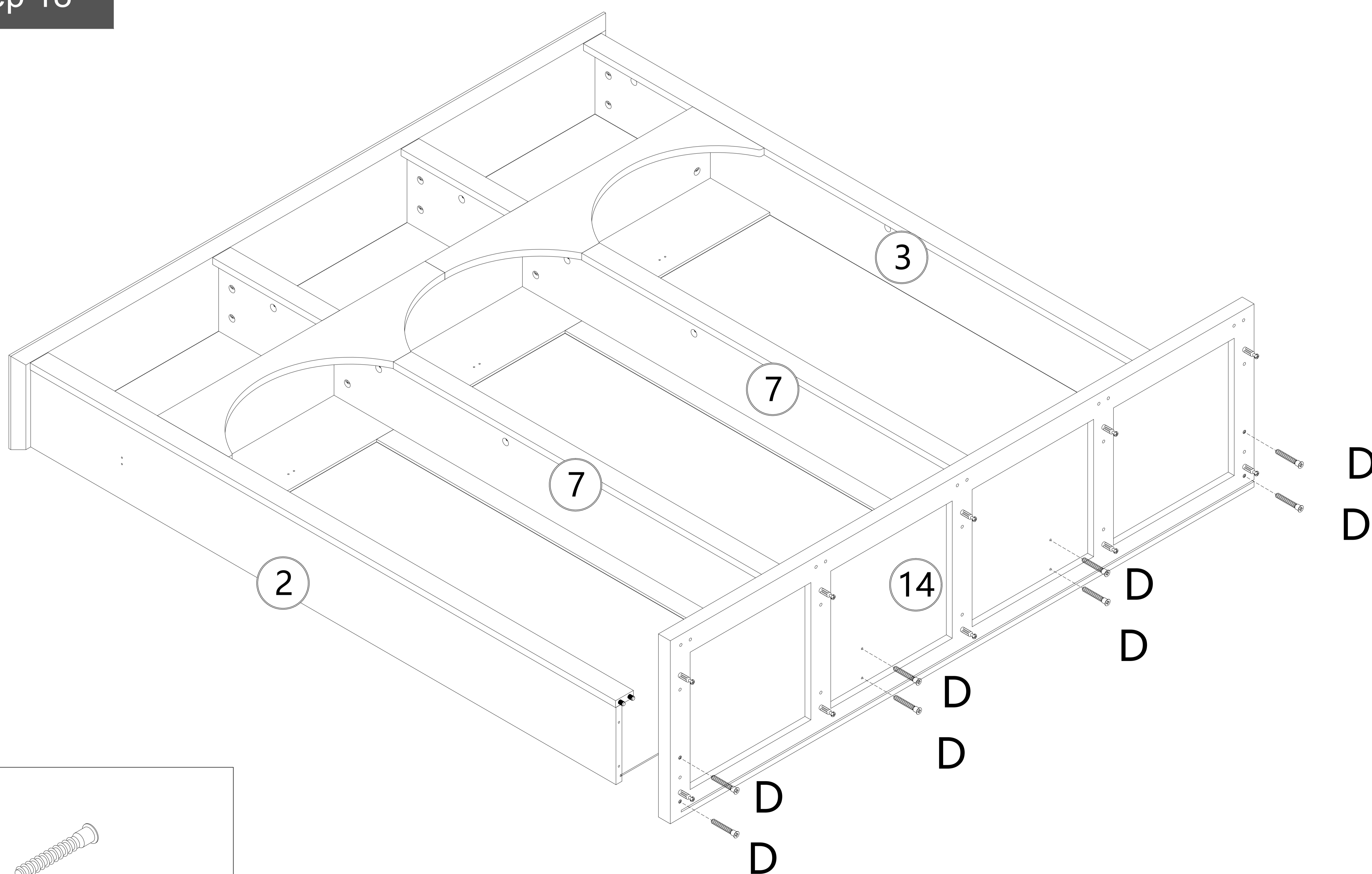
B



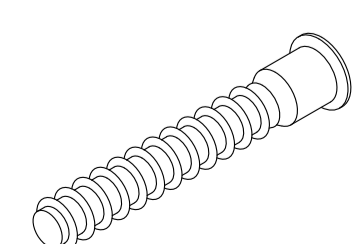
Lock x 8



Step 18



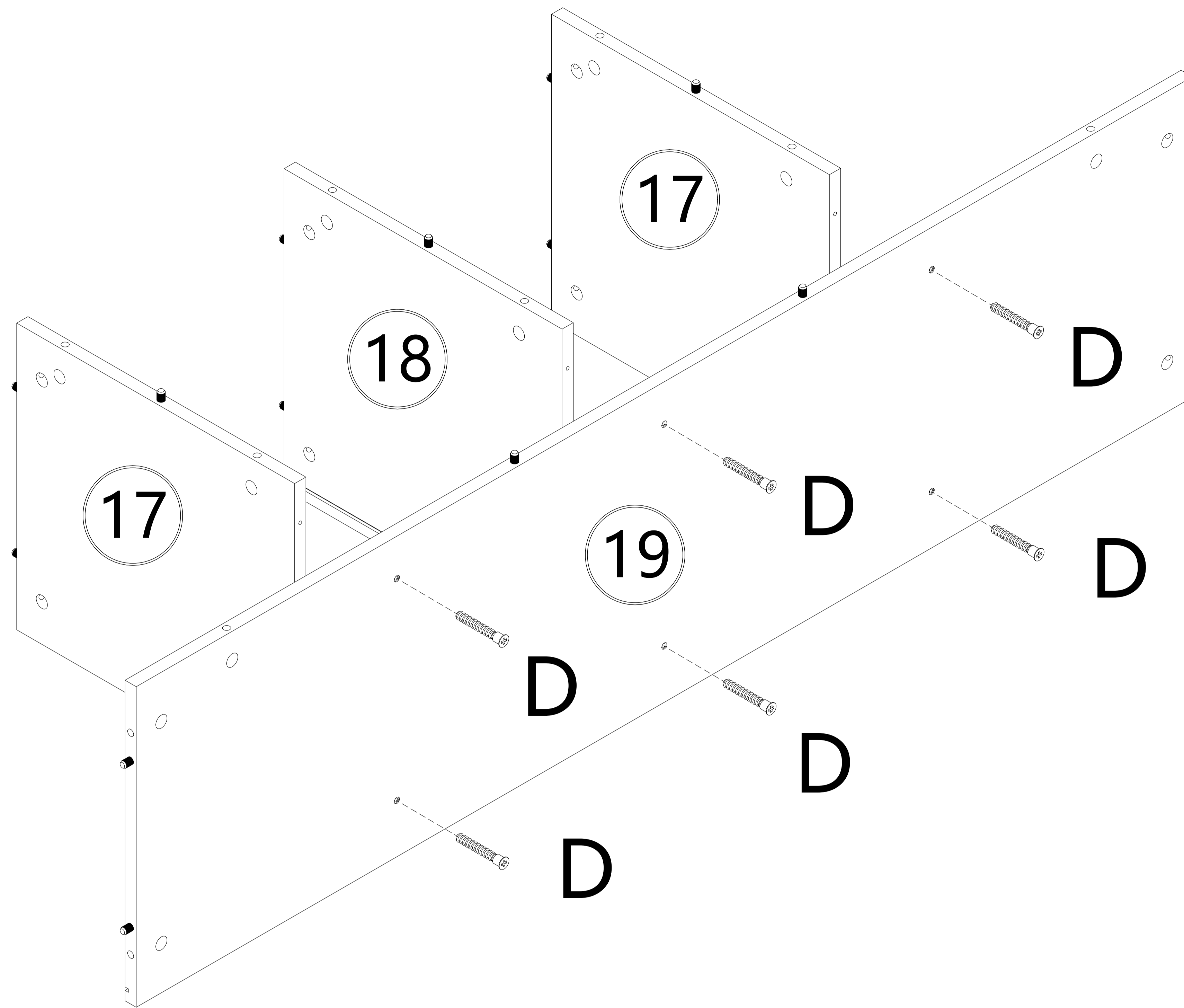
D



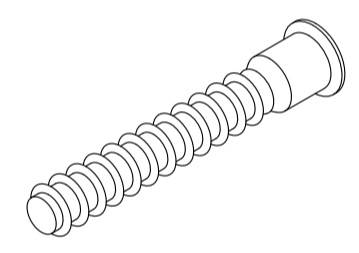
7*50mm Screw x 8

Assembly Instructions

Step 19

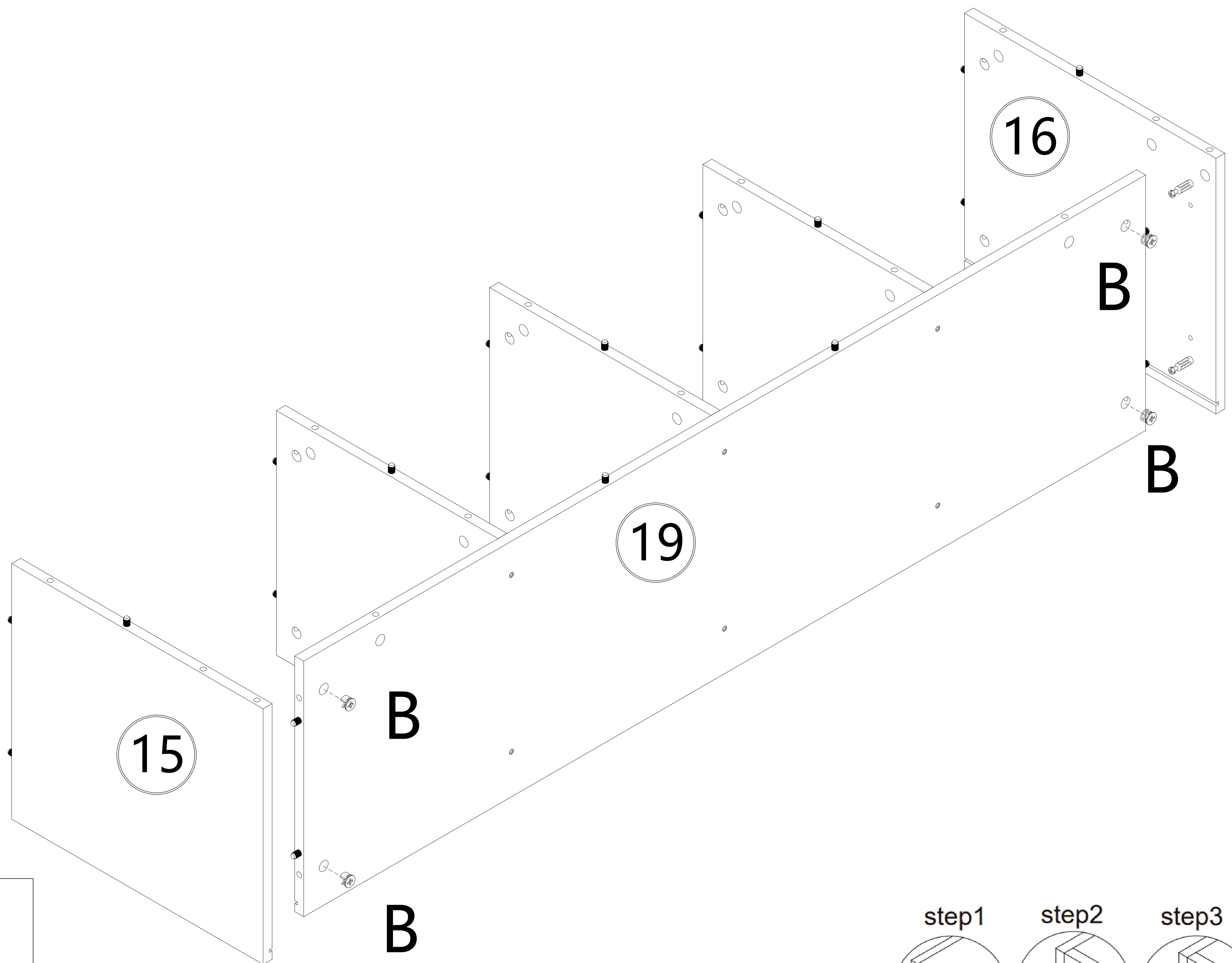


D

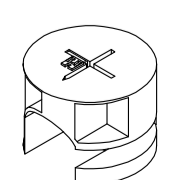


7*50mm Screw x 6

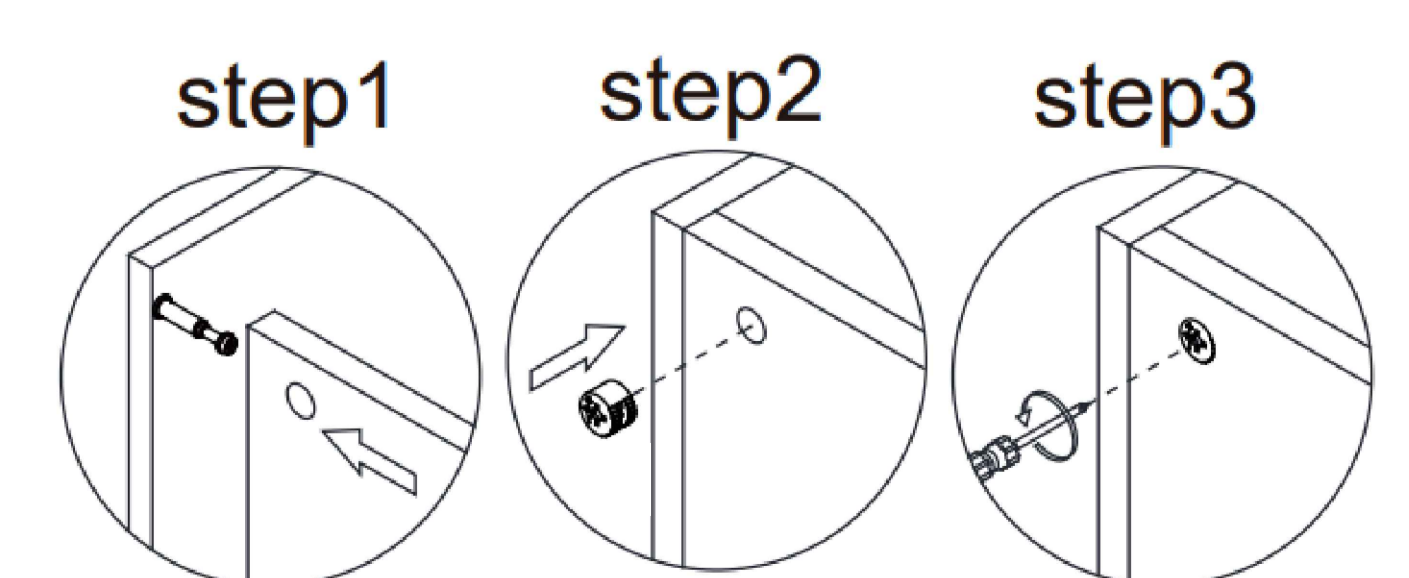
Step 20



B

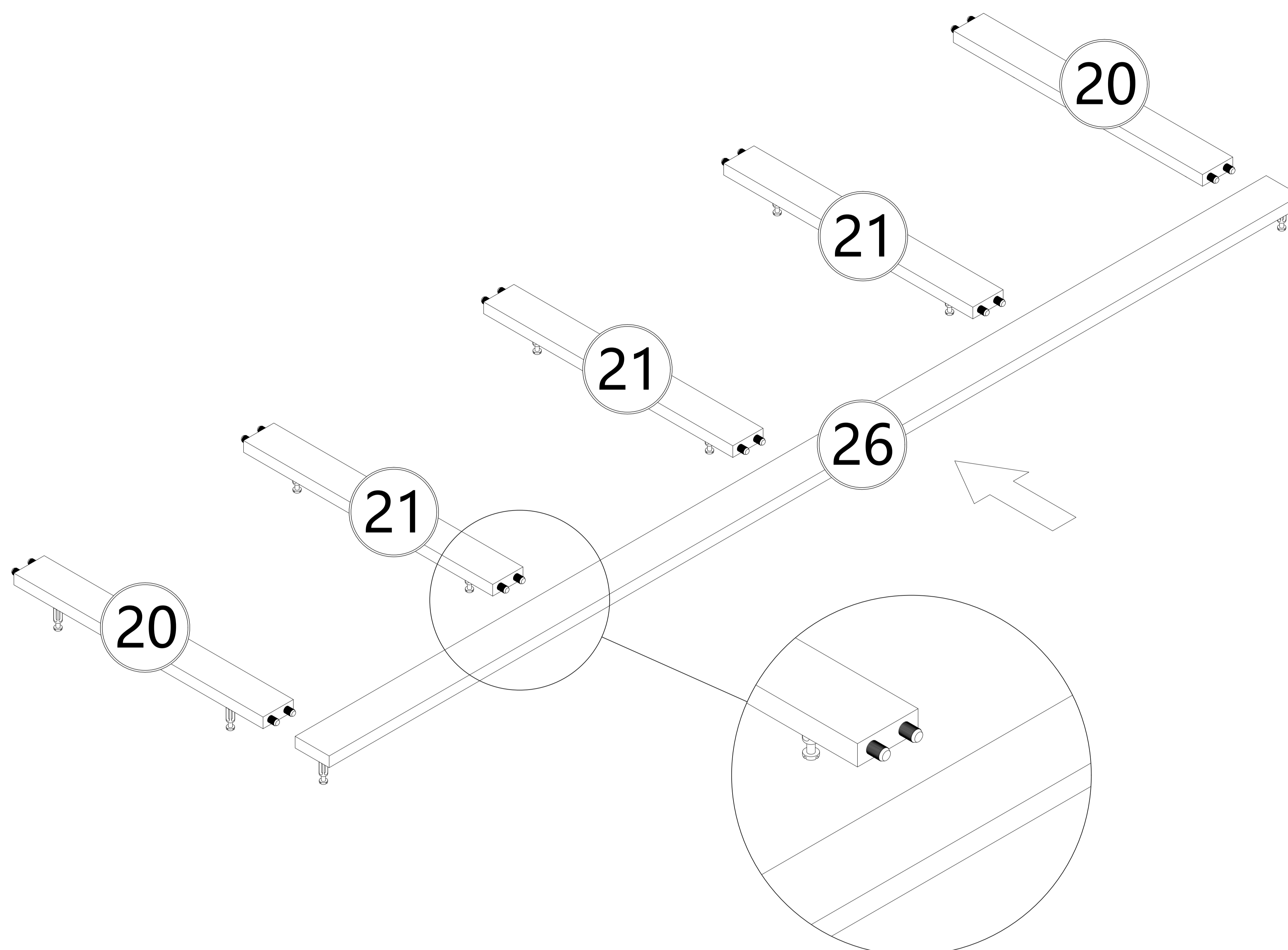


Lock x 4

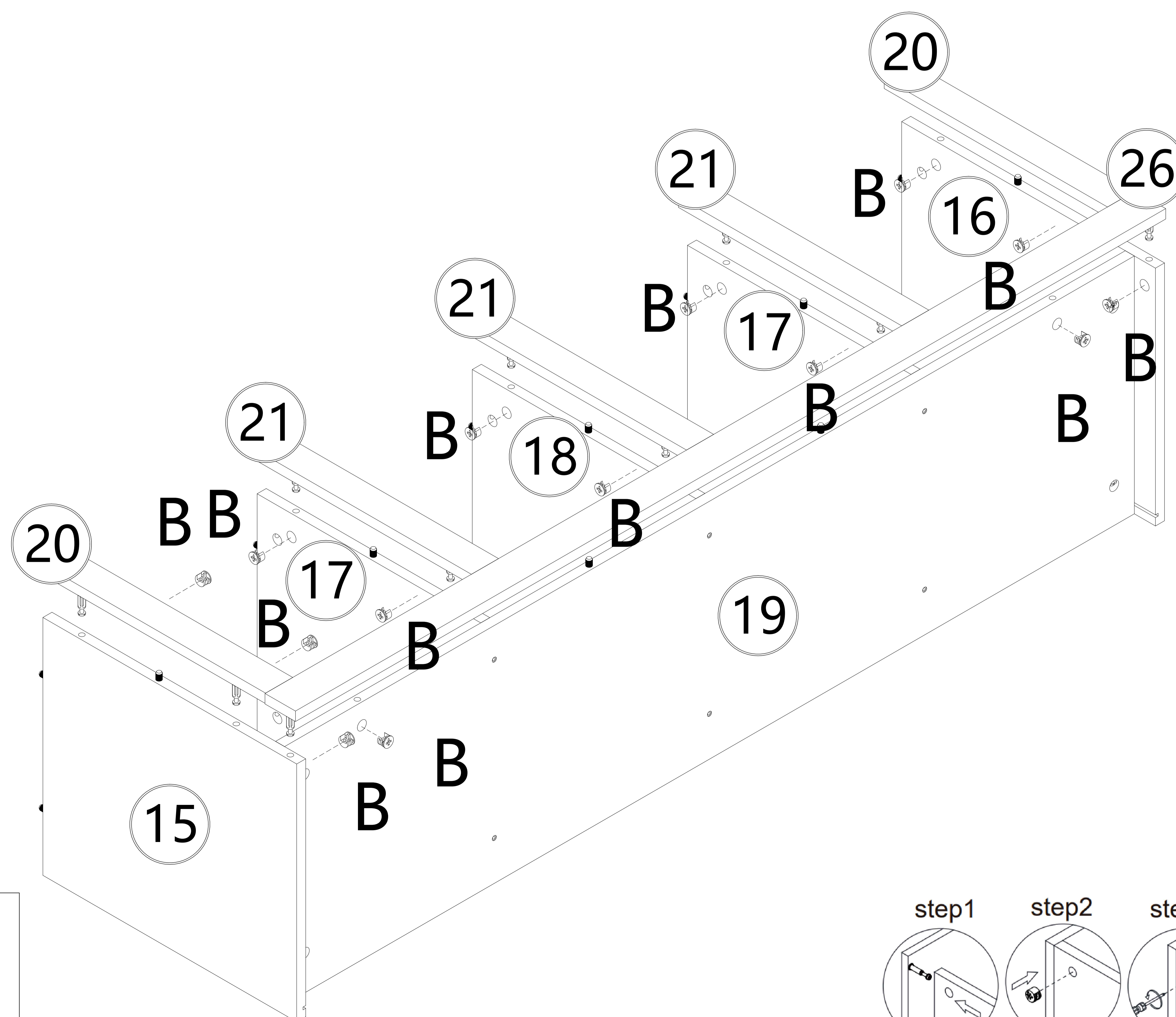


Assembly Instructions

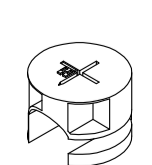
Step 21



Step 22

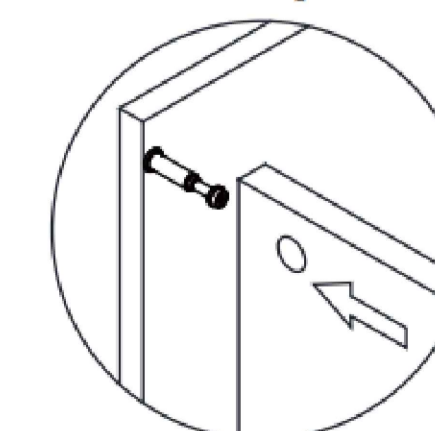


B

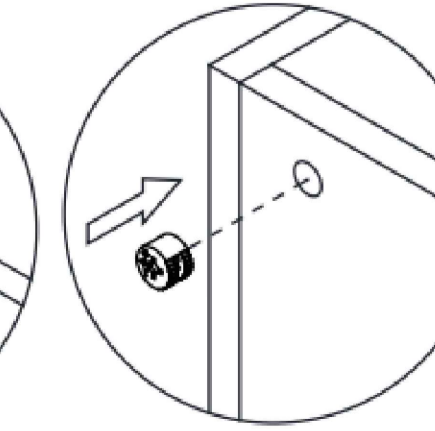


Lock x 14

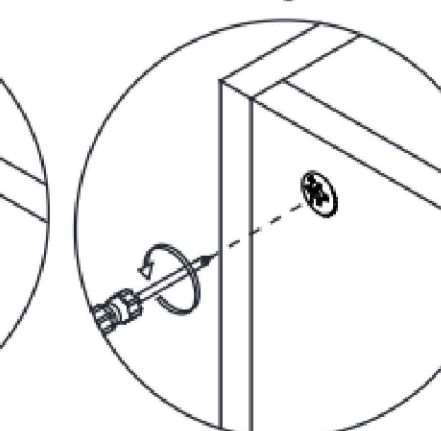
step1



step2

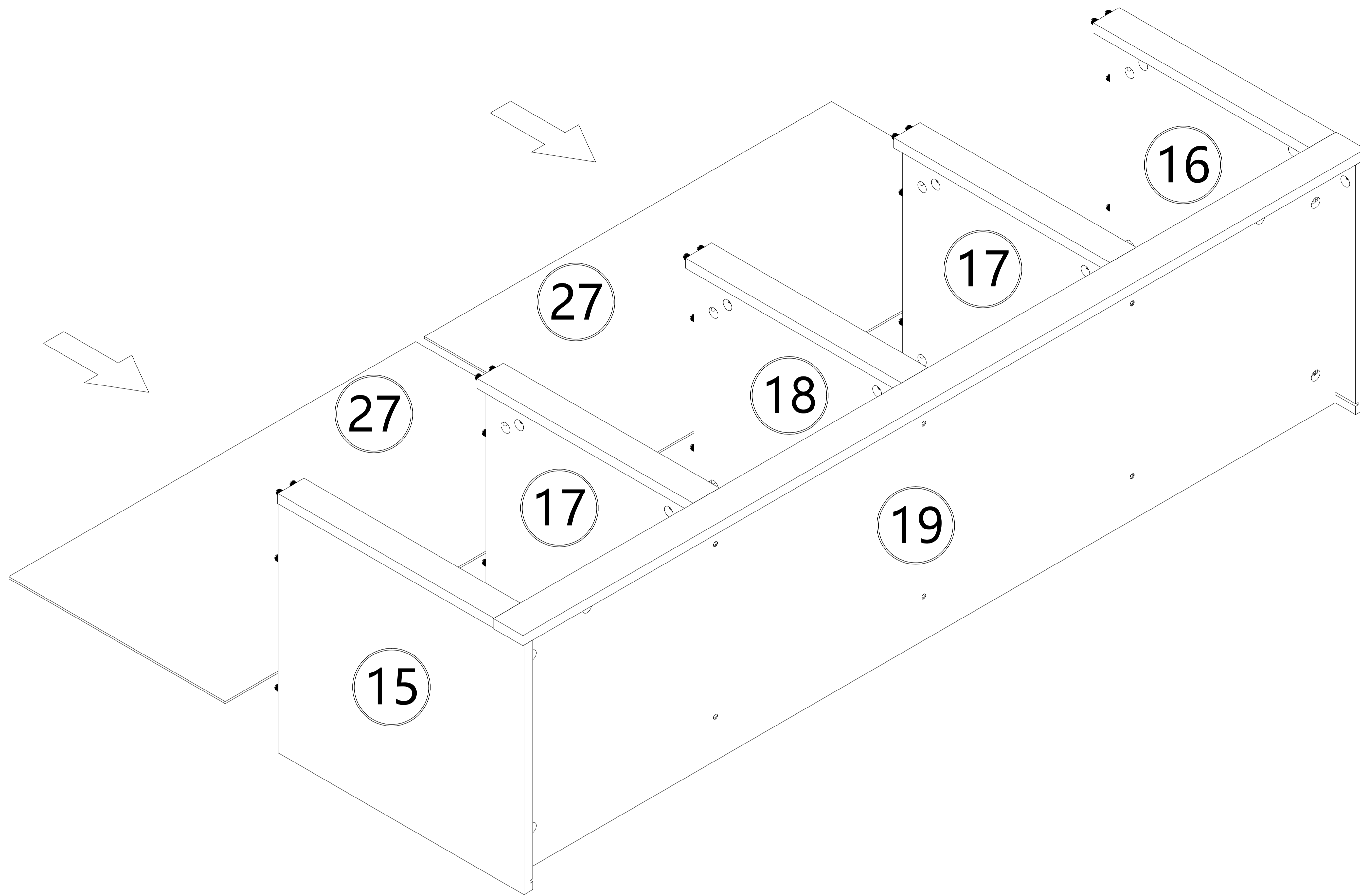


step3

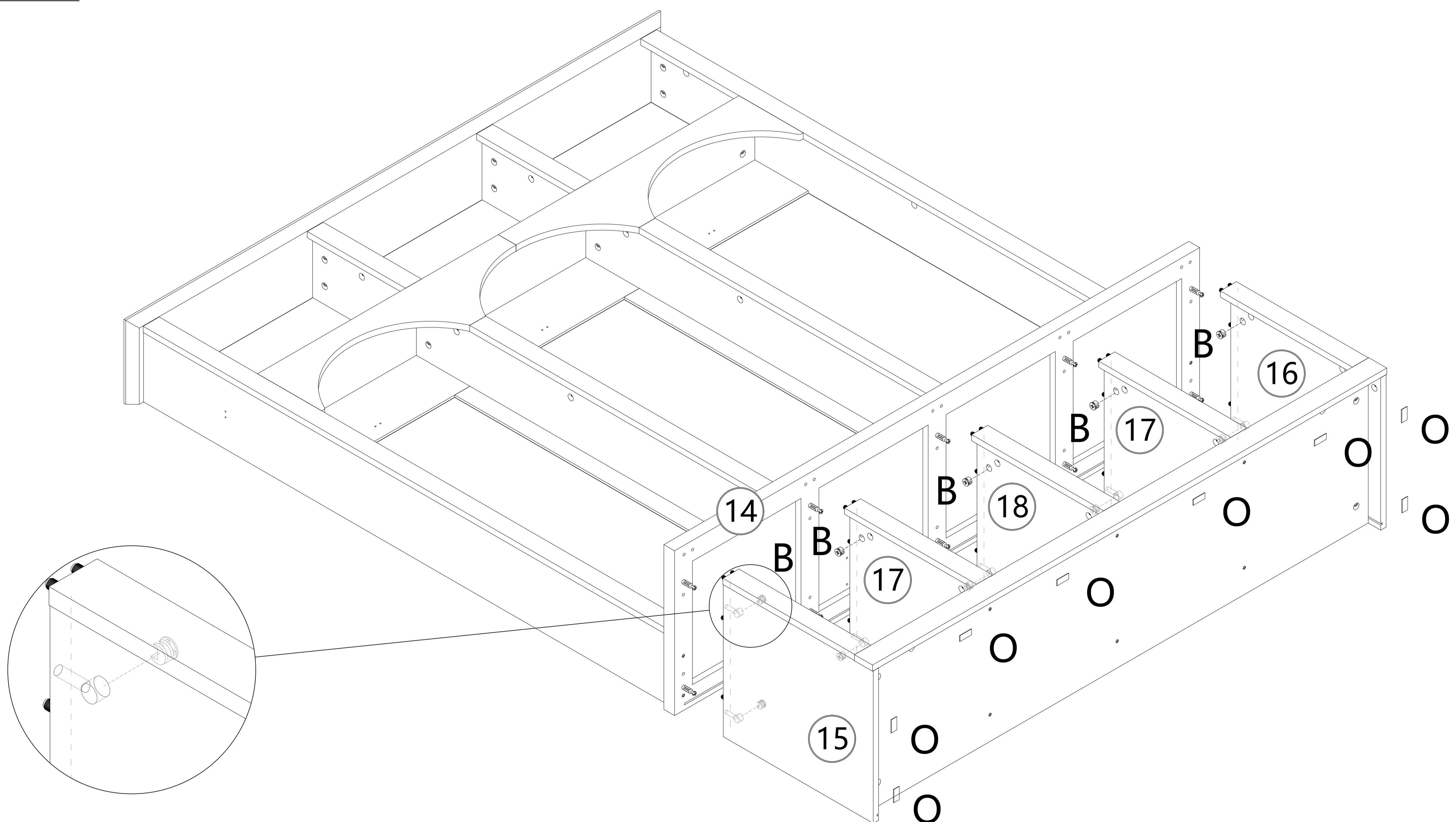


Assembly Instructions

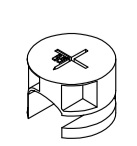
Step 23



Step 24

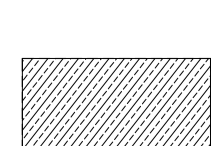


B



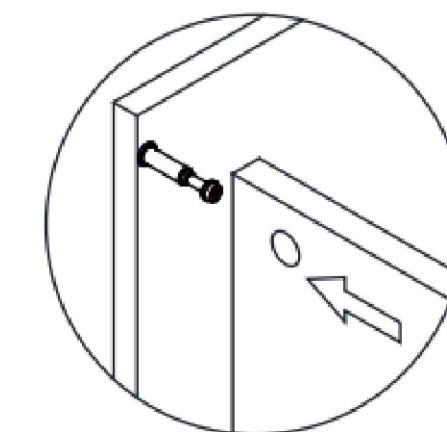
Lock x 10

O

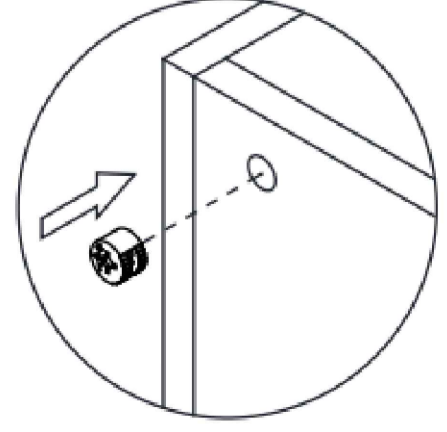


Felt pad x 8

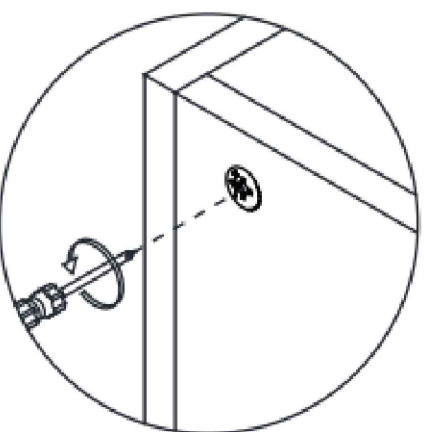
step1



step2

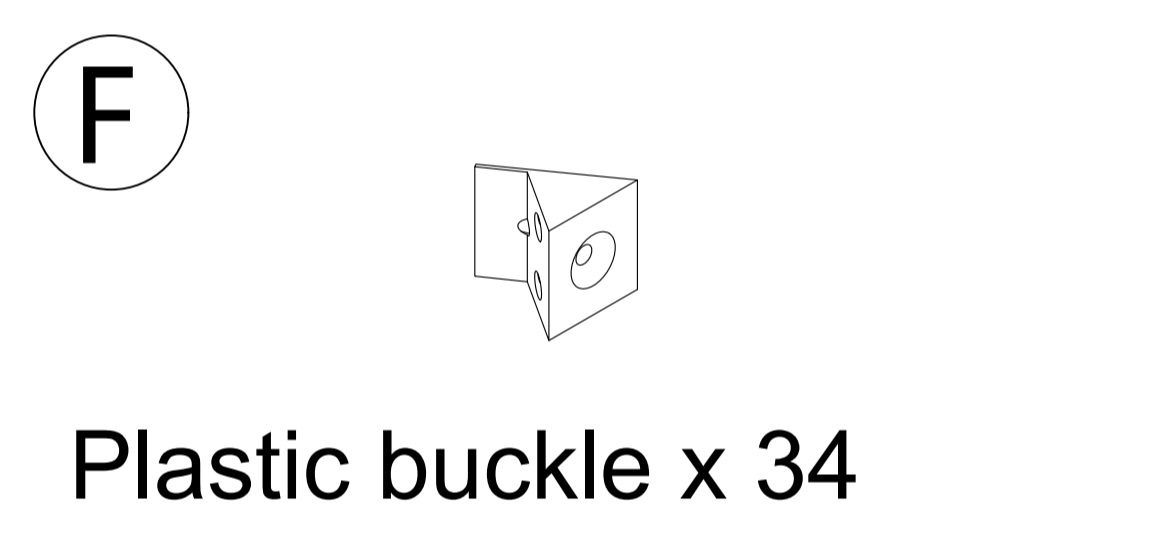
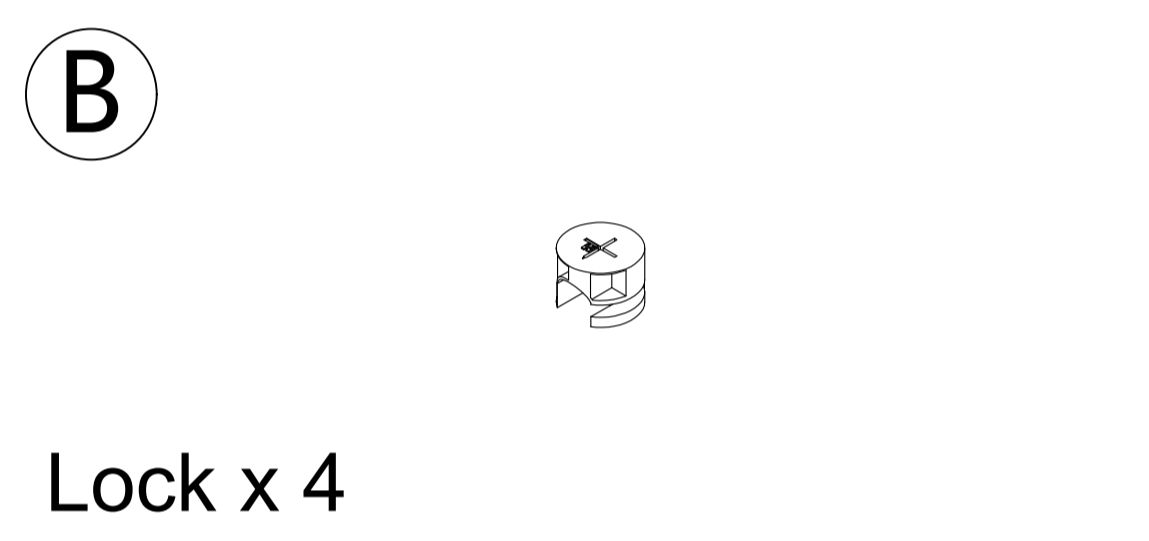
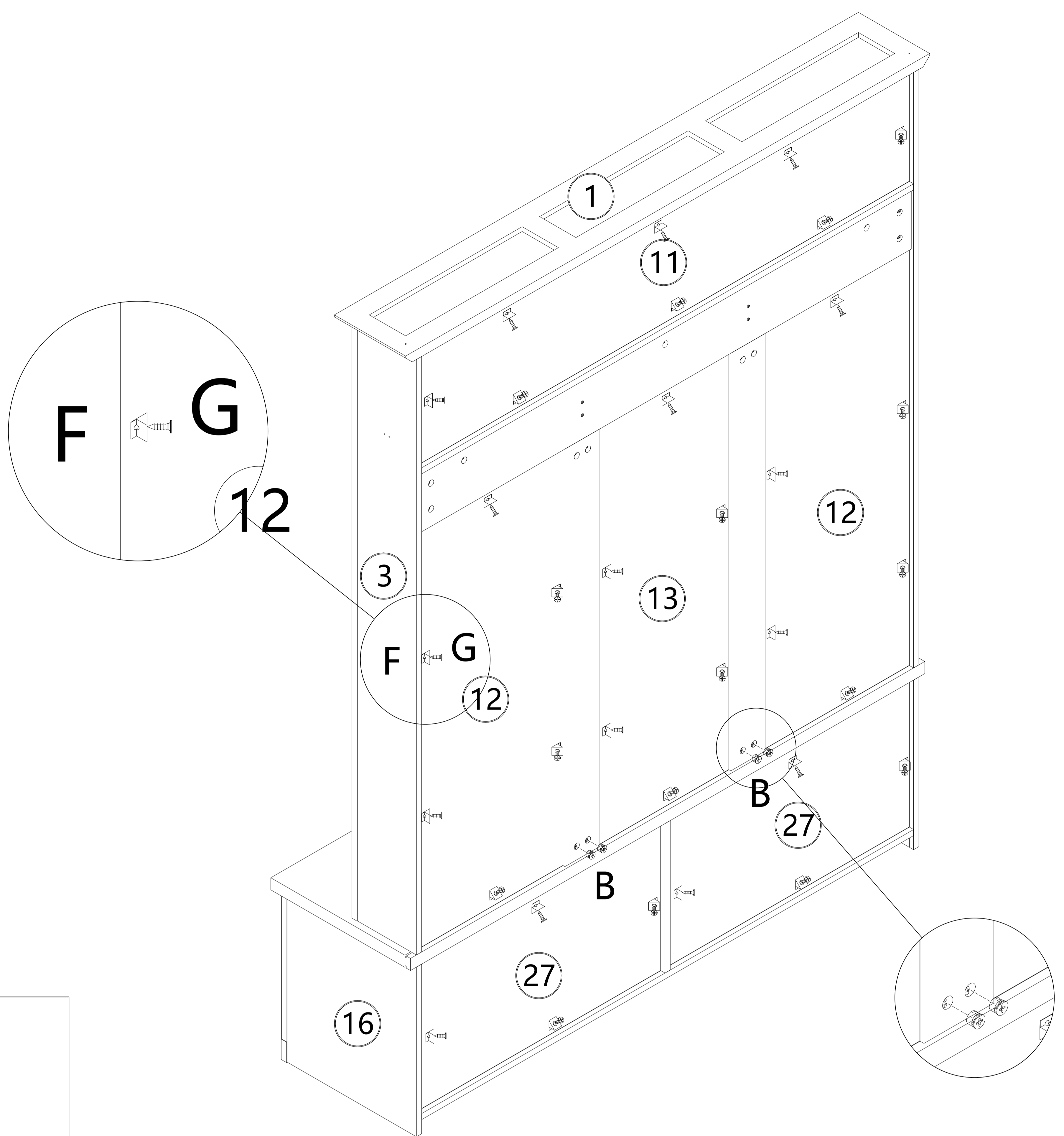
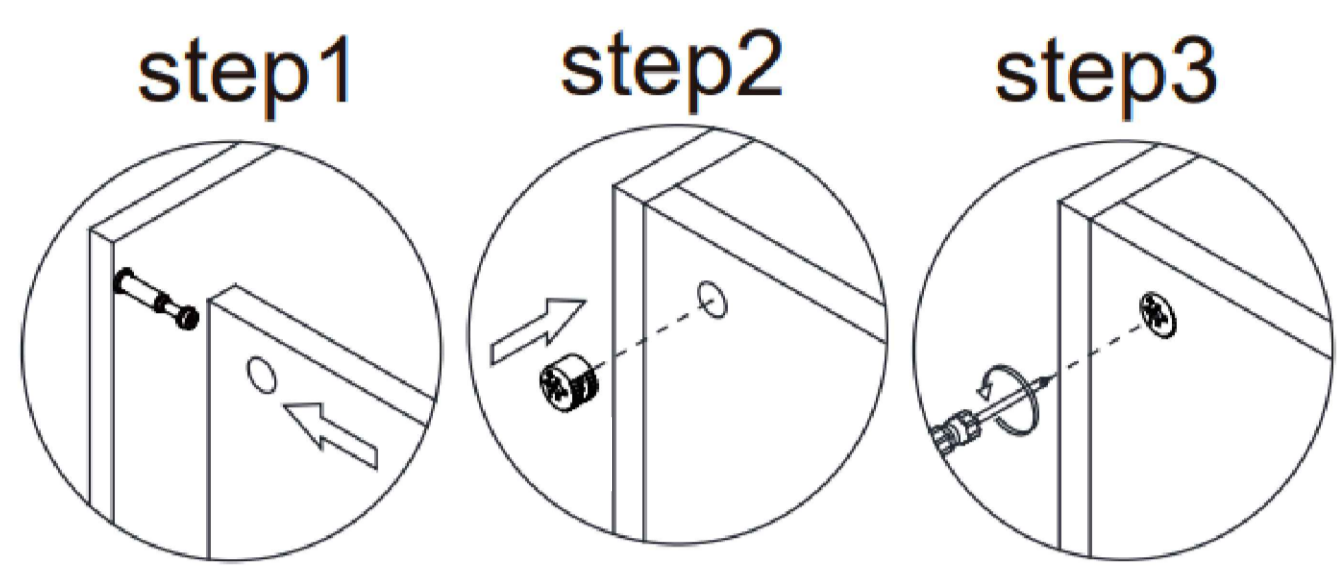


step3

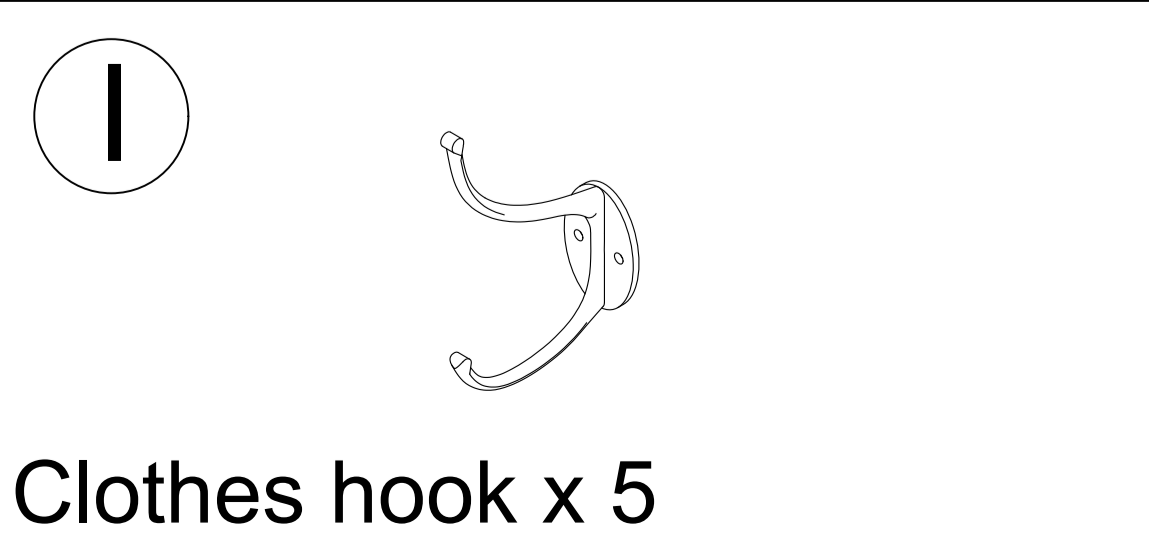
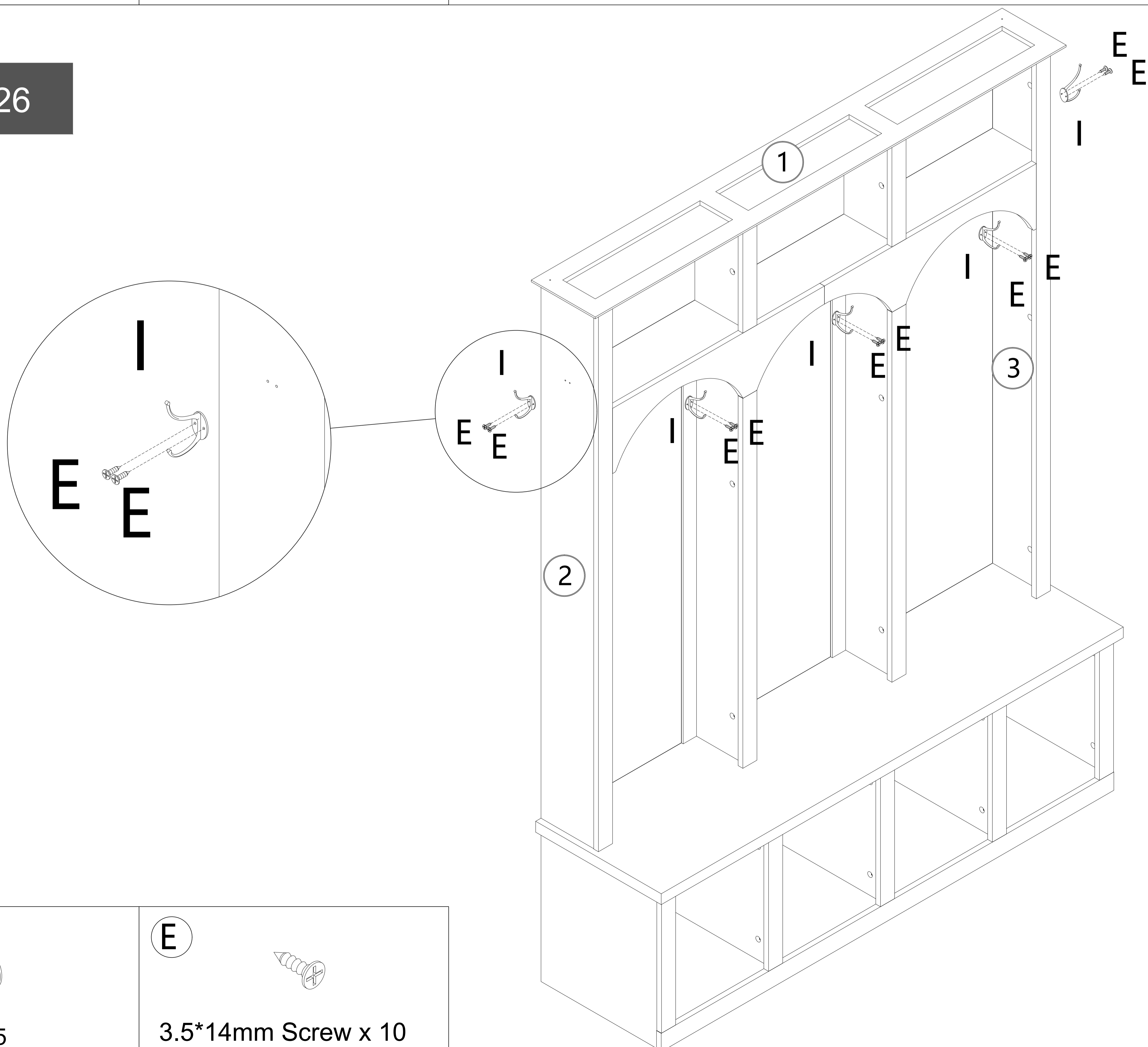


Assembly Instructions

Step 25

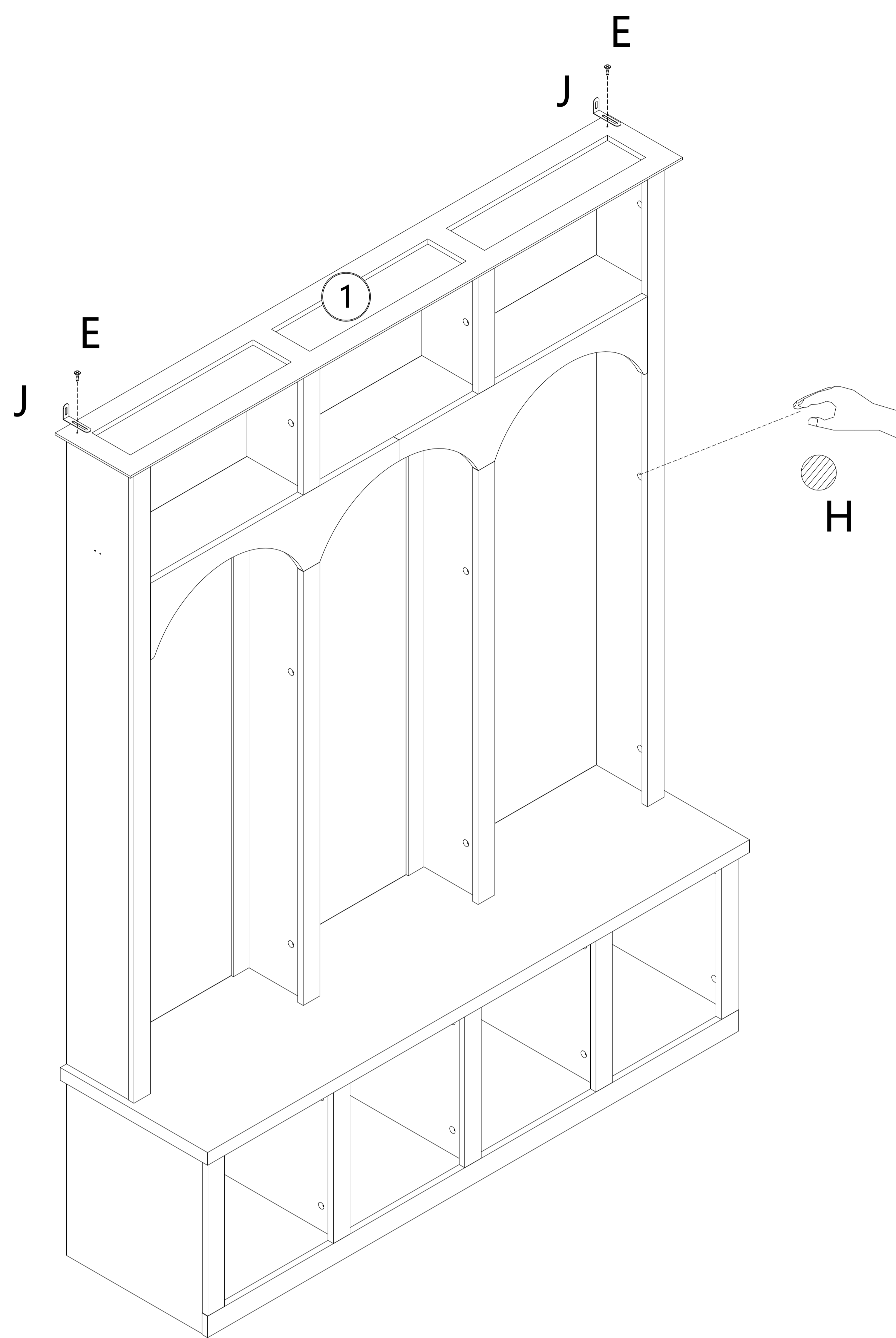
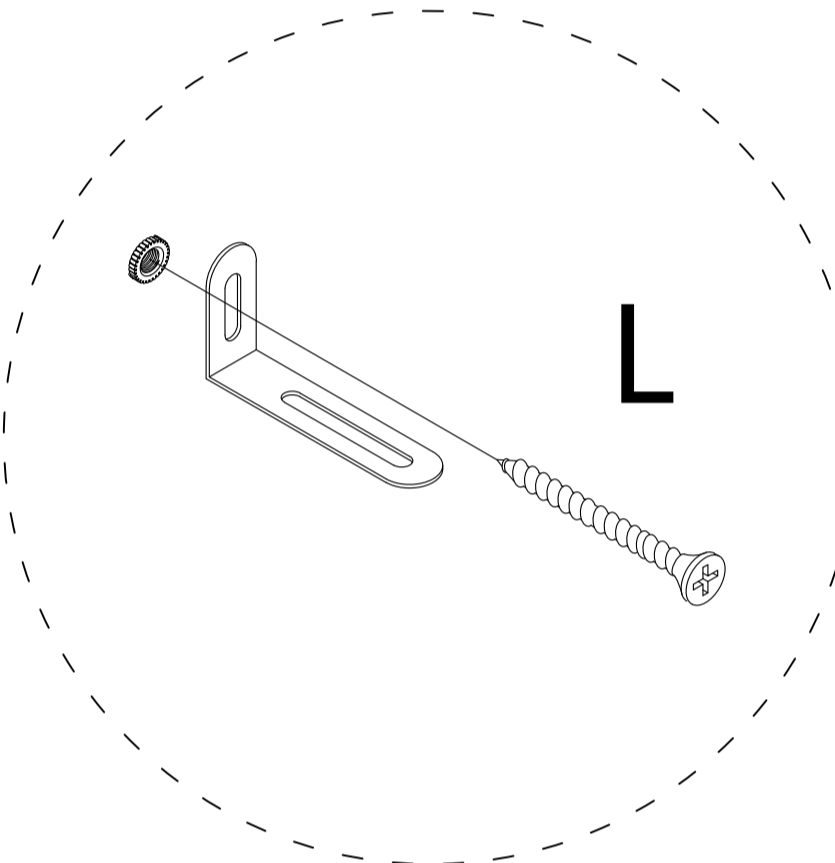
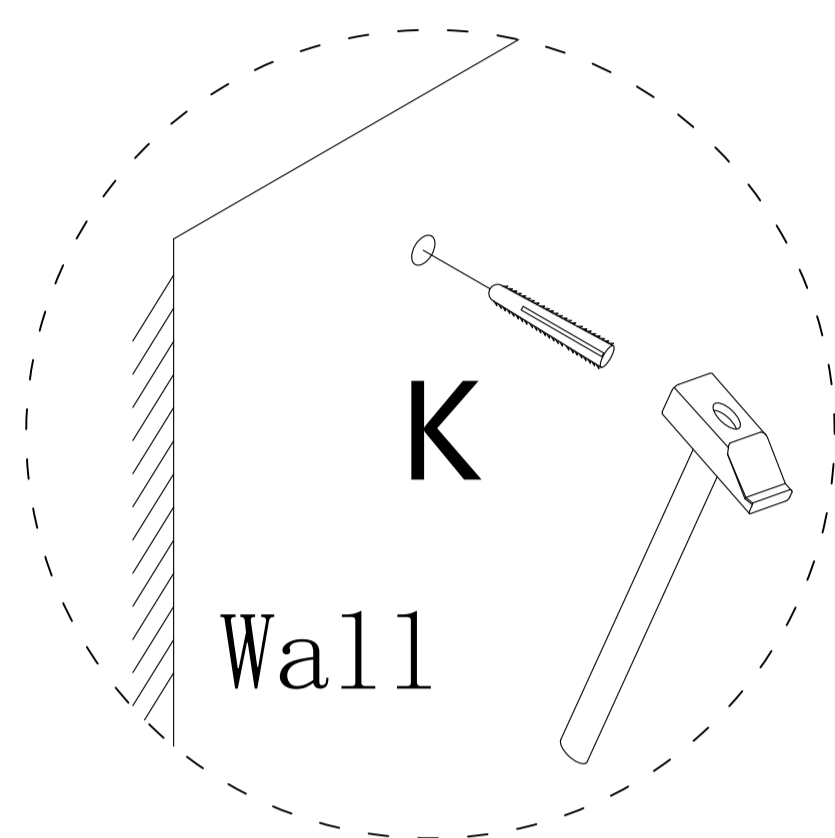
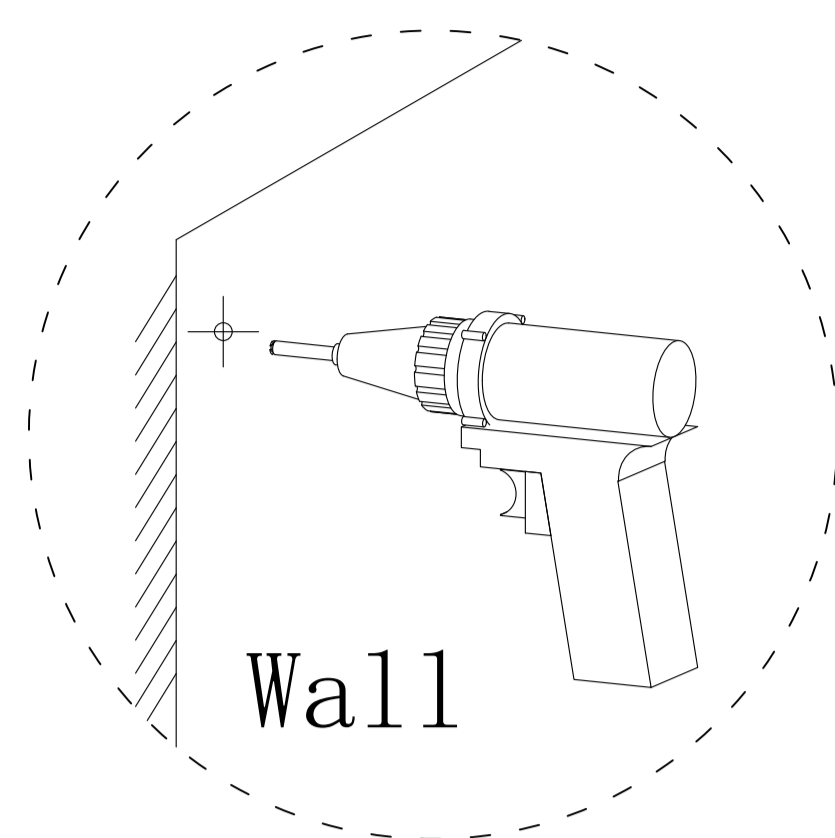


Step 26



Assembly Instructions

Step 27



L
4*50mm Screw x 2

E
3.5*14mm Screw x 2

H
Sticker Cover x 35

J
Anti -tipping device x 2

K
Plastic expansion tube x 2

Step 28

