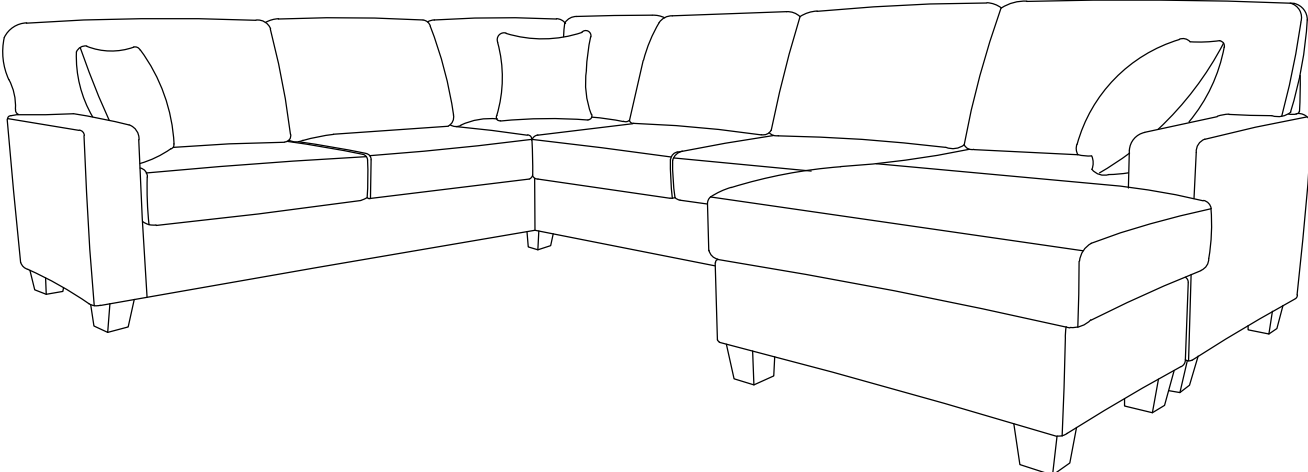
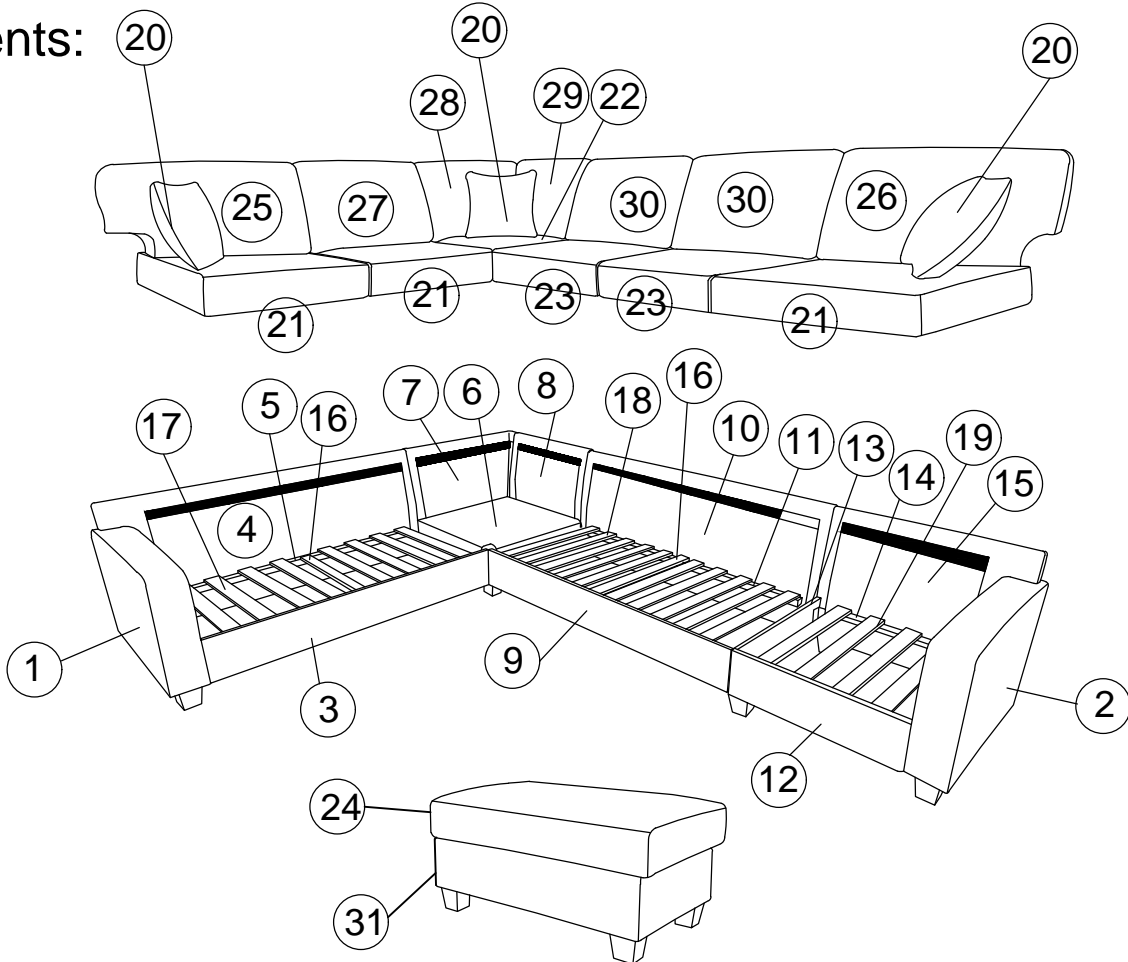


ASSEMBLY INSTRUCTIONS


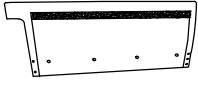

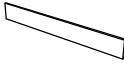
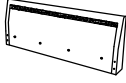


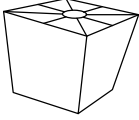





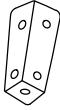


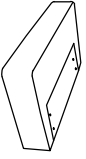


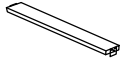
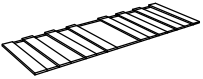
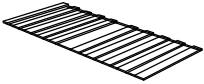





Sectional Sofa

Components:



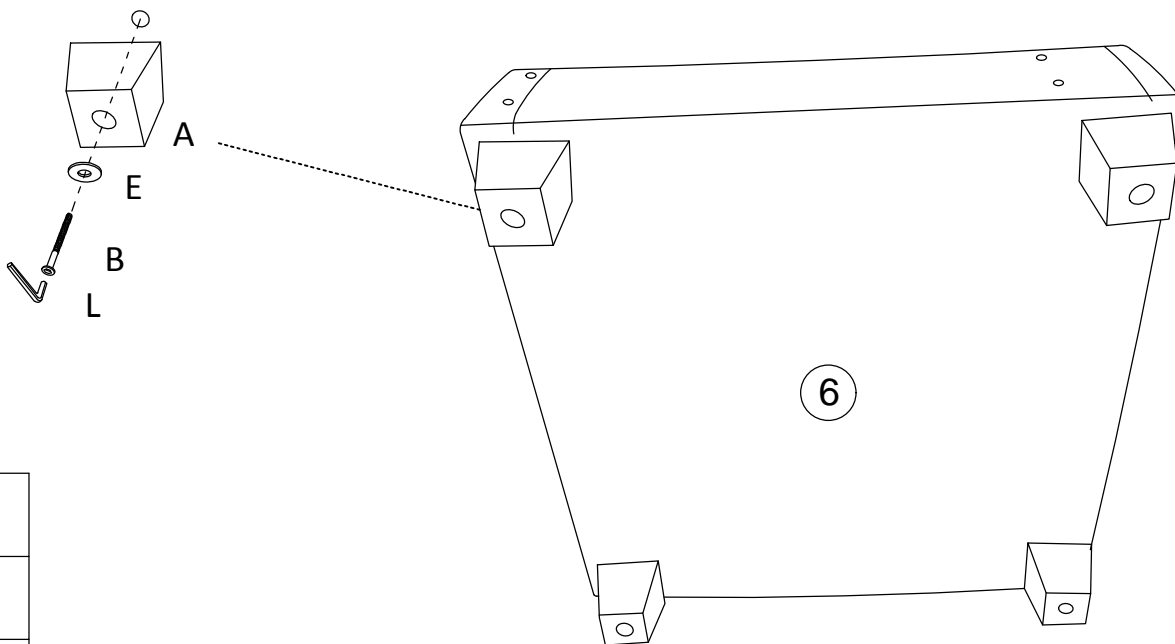
PACK LIST





<p>③</p>  <p>Left 2S Seat front panel 1PC</p>	<p>④</p>  <p>Left 2S backrest 1PC</p>	<p>⑤</p>  <p>Left 2S Seat wood brace 1PC</p>	<p>⑨</p>  <p>Armless 2S Seat front panel 1PC</p>	<p>⑩</p>  <p>Armless 2S backrest 1PC</p>	<p>⑪</p>  <p>Armless 2S Seat wood brace 1PC</p>
<p>⑭</p>  <p>Right 1S wood brace 1PC</p>	<p>Ⓐ</p>  <p>LEG 2 PC</p>	<p>Ⓑ</p>  <p>M8*100MM 14 PCS</p>	<p>Ⓒ</p>  <p>M8*35MM 12 PCS</p>	<p>Ⓓ</p>  <p>M8*18MM 46 PCS</p>	<p>Ⓔ</p>  <p>M8x19x2 48PCS</p>
<p>Ⓕ</p>  <p>Metal bracket 11PCS</p>	<p>Ⓖ</p>  <p>Metal bracket 1 PC</p>	<p>Ⓗ</p>  <p>Wrench 1PC</p>	<p>Ⓘ</p>  <p>Connect Bar 3PCS</p>		
<p>①</p>  <p>Left Arm 1 PC</p>	<p>②</p>  <p>Right Arm 1PC</p>	<p>⑫</p>  <p>Right 1S front panel 1PC</p>	<p>⑯</p>  <p>Connect panel 2PCS</p>	<p>⑰</p>  <p>Left 2S Seat Slats 1PC</p>	
<p>⑱</p>  <p>Armless 2S Seat Slats 1PC</p>	<p>⑲</p>  <p>Right 1S Seat Slats 1PC</p>	<p>⑳</p>  <p>Pillows 3 PCS</p>			

<p>7</p>  <p>corner backrest 1PC</p>	<p>8</p>  <p>corner backrest 1PC</p>	<p>15</p>  <p>Right 1S wood brace 1PC</p>	<p>25</p>  <p>Left 2S side Back cushion 1PC Page 6</p>	<p>26</p>  <p>Right 1S Back cushion 1PC</p>
<p>28</p>  <p>Corner Back cushion 1PC</p>	<p>29</p>  <p>Corner Back cushion 1PC</p>	<p>30</p>  <p>Armless 2S Back cushion 2PCS</p>	<p>31</p>  <p>Stool base 1PC</p>	<p>A</p>  <p>LEG 12 PCS</p>
<p>6</p>  <p>corner base 1PC</p>	<p>13</p>  <p>Right 1S side panel 1PC</p>	<p>21</p>  <p>Seat cushion 3PCS</p>	<p>22</p>  <p>Corner Seat cushion 1PC</p>	<p>23</p>  <p>Armless 2s Seat cushion 2PCS</p>
<p>24</p>  <p>Stool Seat cushion 1PC</p>	<p>27</p>  <p>Left 2S middle Back cushion 1PC</p>			

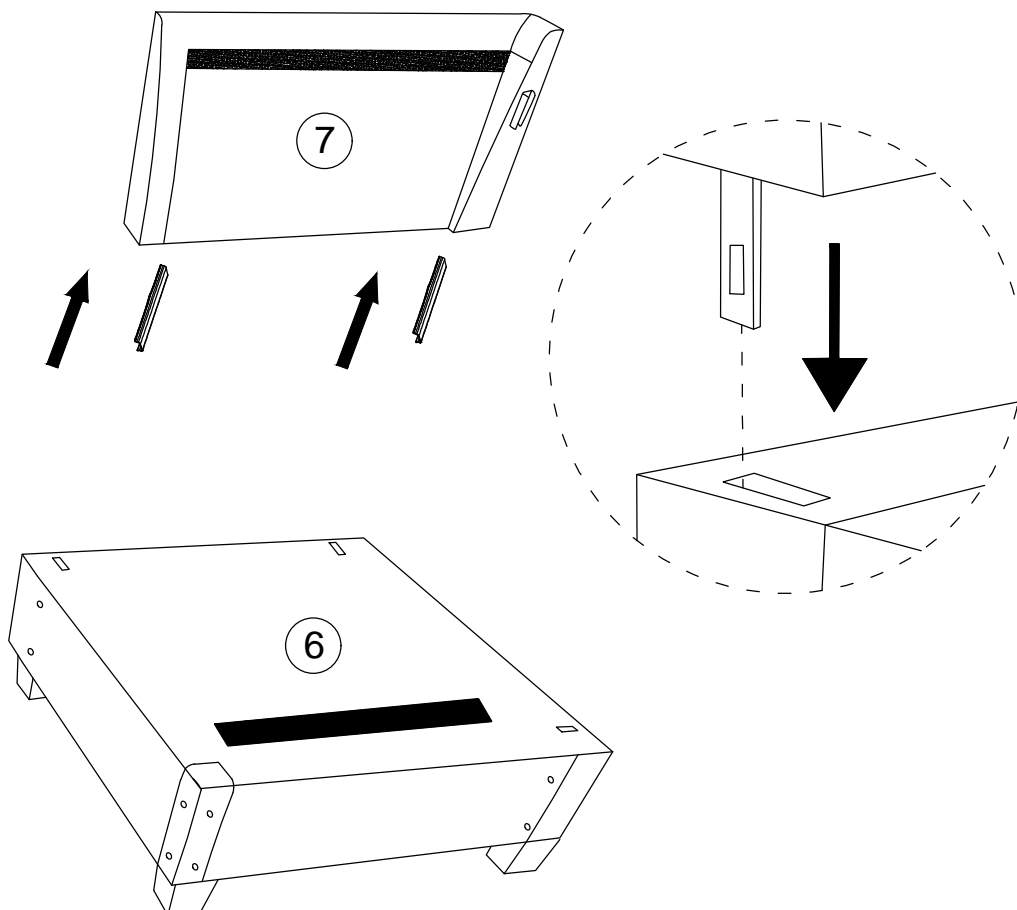
Assemble the Corner.


STEP 1:



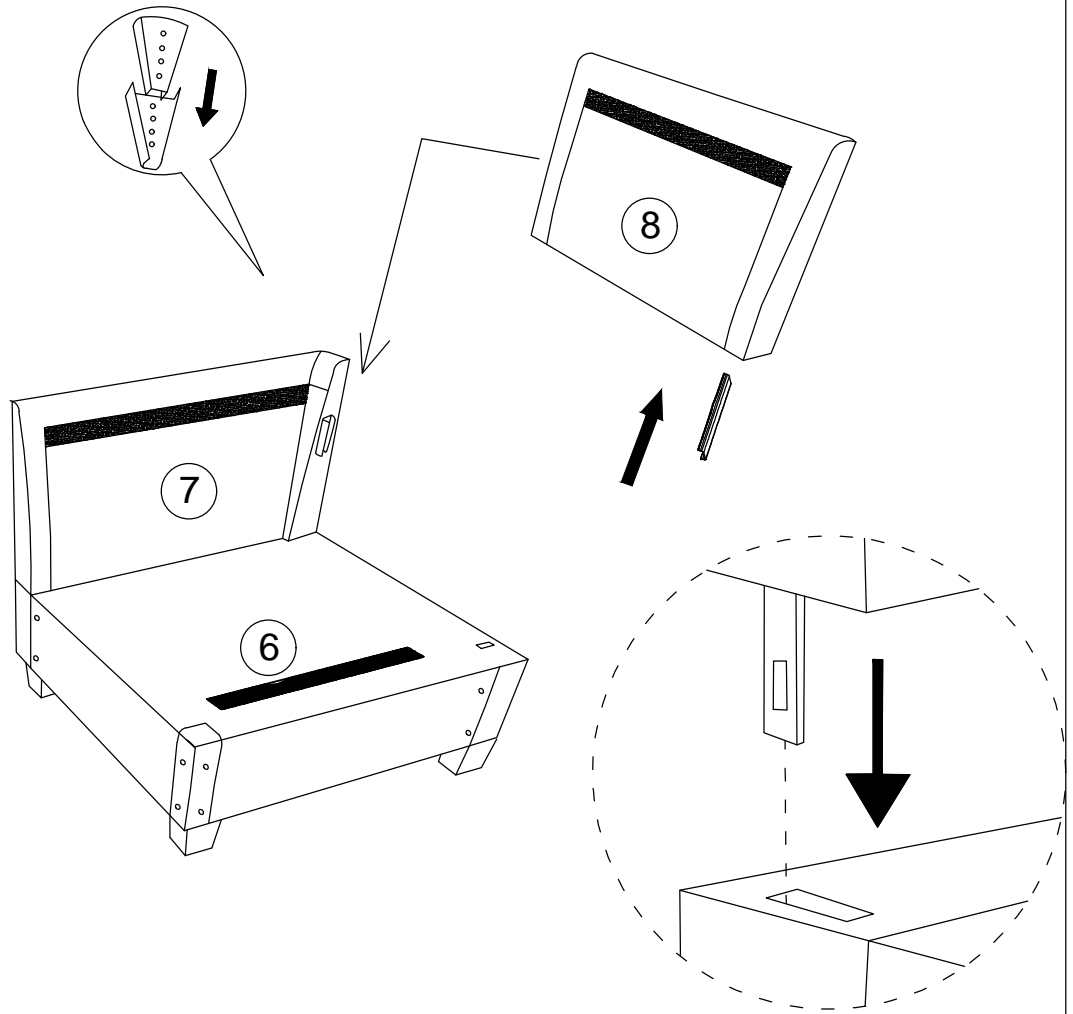
	A X 4
	B X 4
	E X 4
	H X 1

STEP 2:



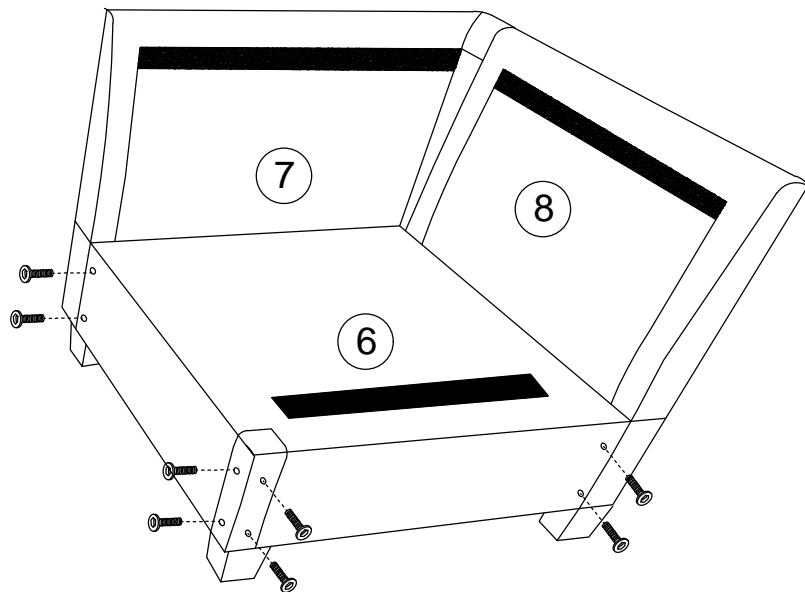
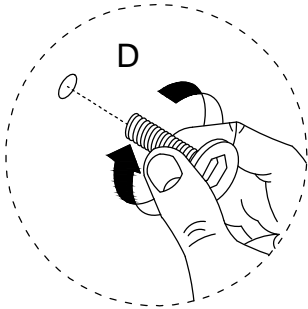
	I X 2
--	-------

STEP 3:



1 X 1

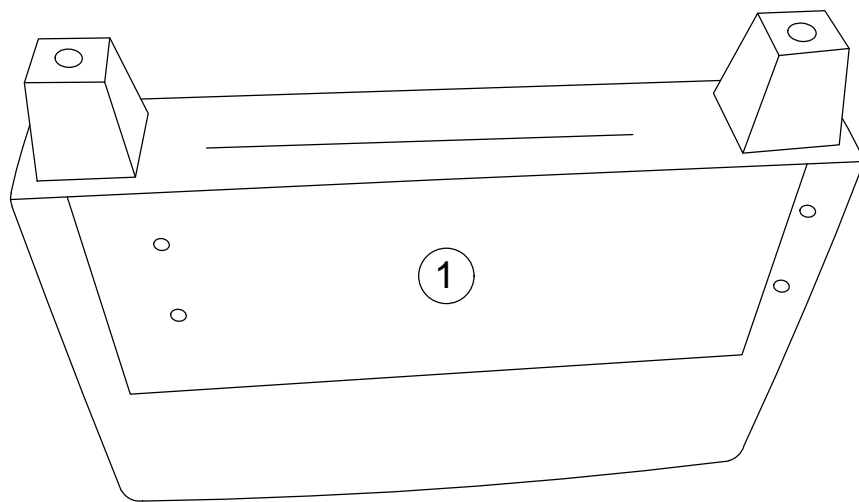
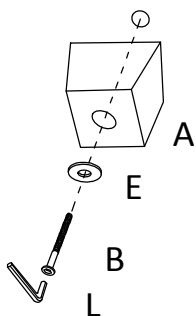
STEP 4: Tighten half.







D X 8

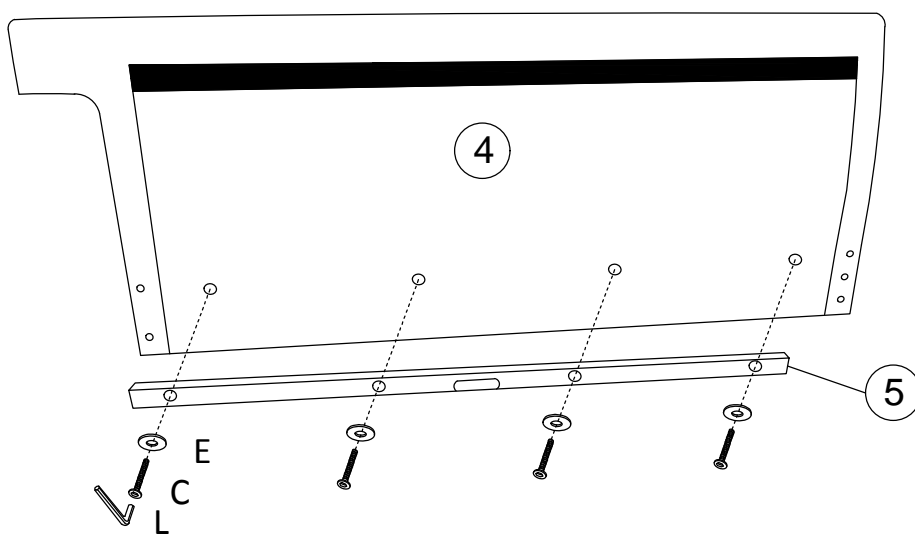
Assemble the Left arm 2S.




STEP 5:



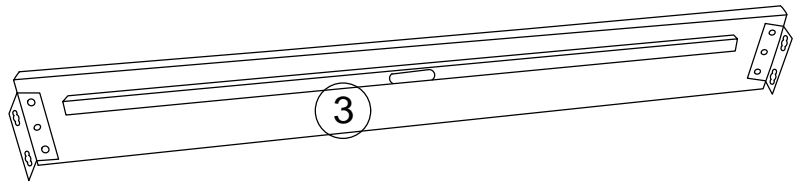
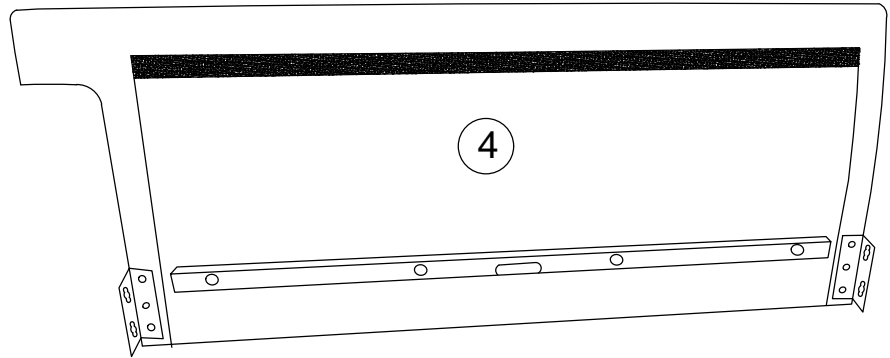
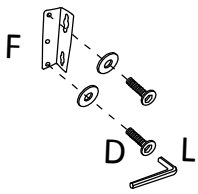
	A X 2
	B X 2
	E X 2
	H X 1





STEP 6:



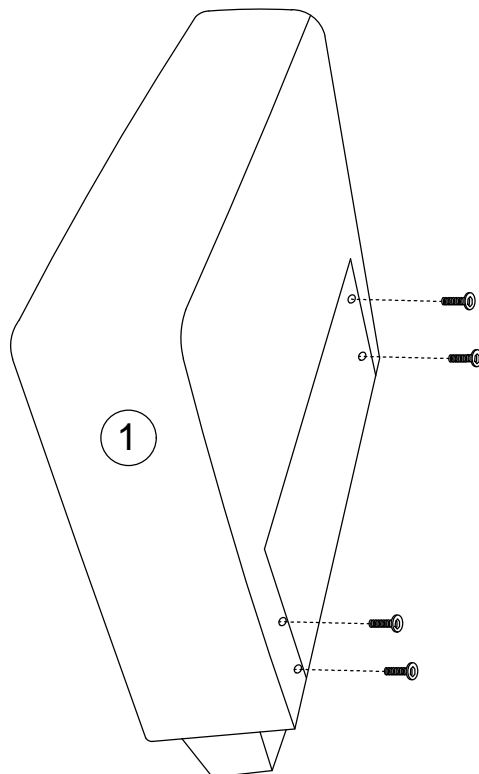
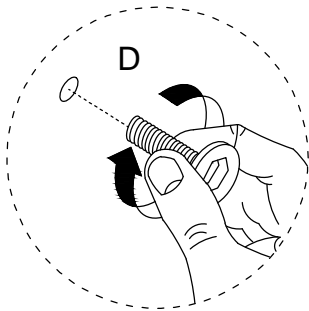
	C X 4
	E X 4
	H X 1


STEP 7:



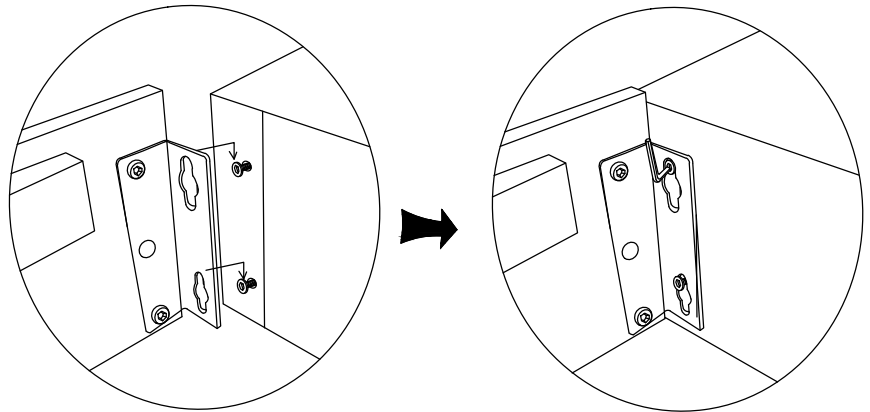
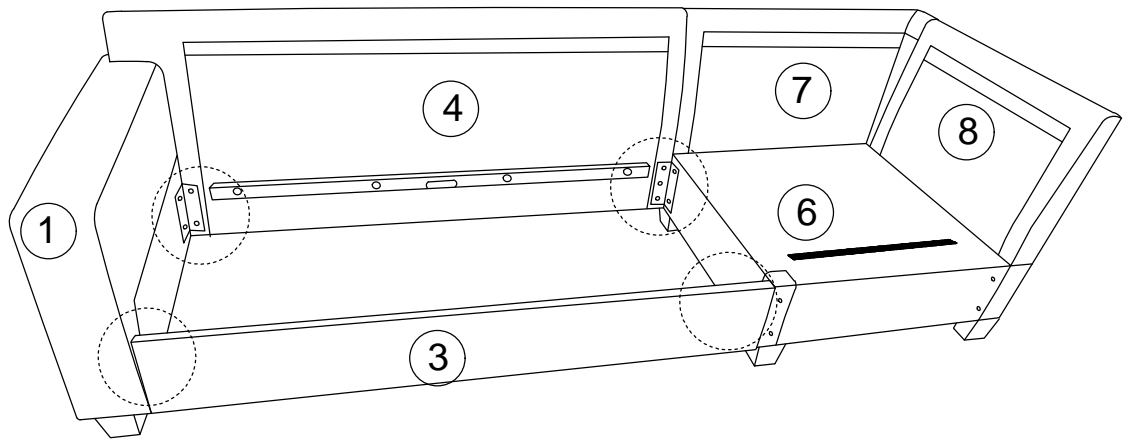
	E X 8
	F X 4
	D X 8
	H X 1

STEP 8: Tighten half.



	D X 4
--	-------

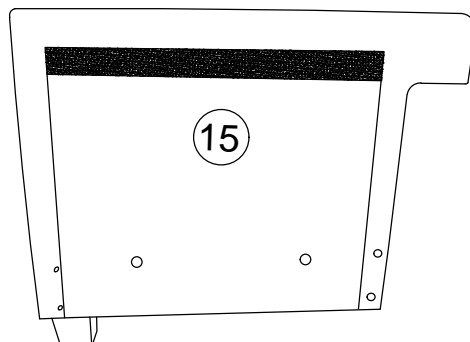
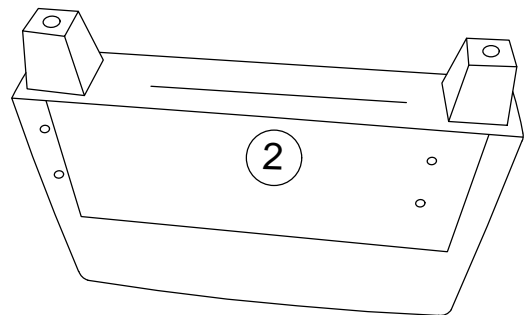
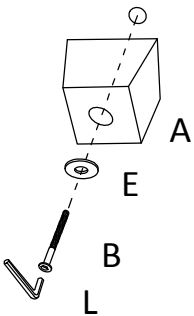
STEP 9:



H X 1

Assemble the Right arm 1S.

STEP 10:



A X 3



B X 3

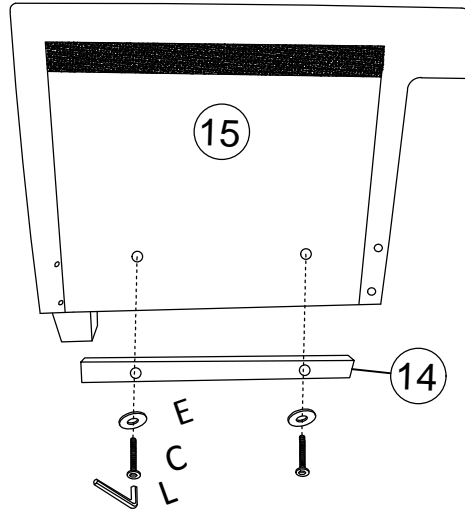





E X 3



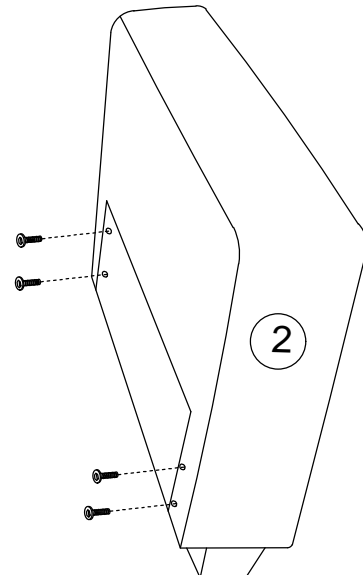
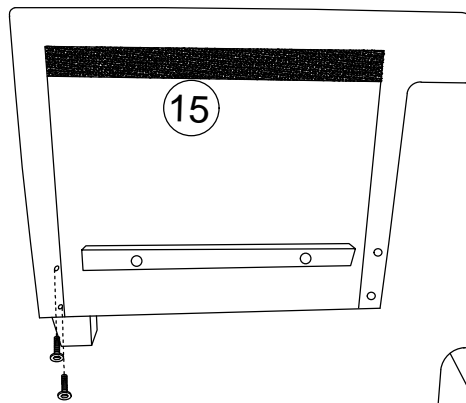
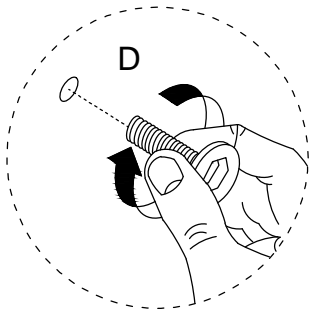
H X 1


STEP 11:



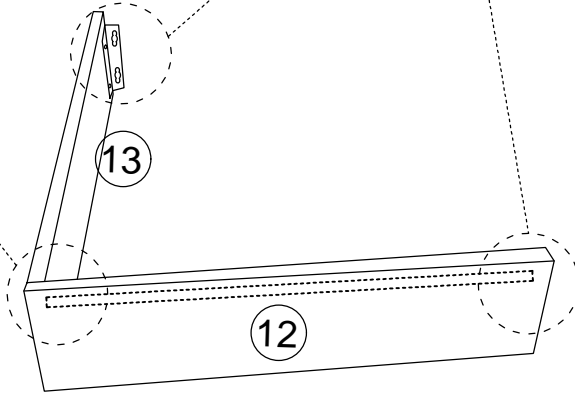
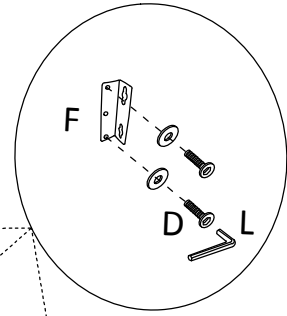
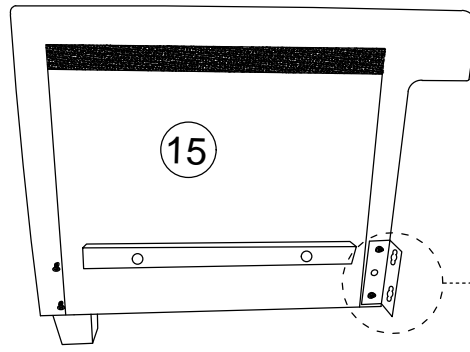
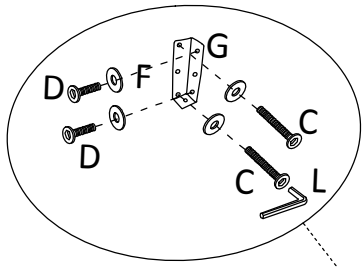
	C X 2
	E X 2
	H X 1



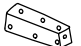
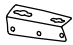


STEP 12: Tighten half.



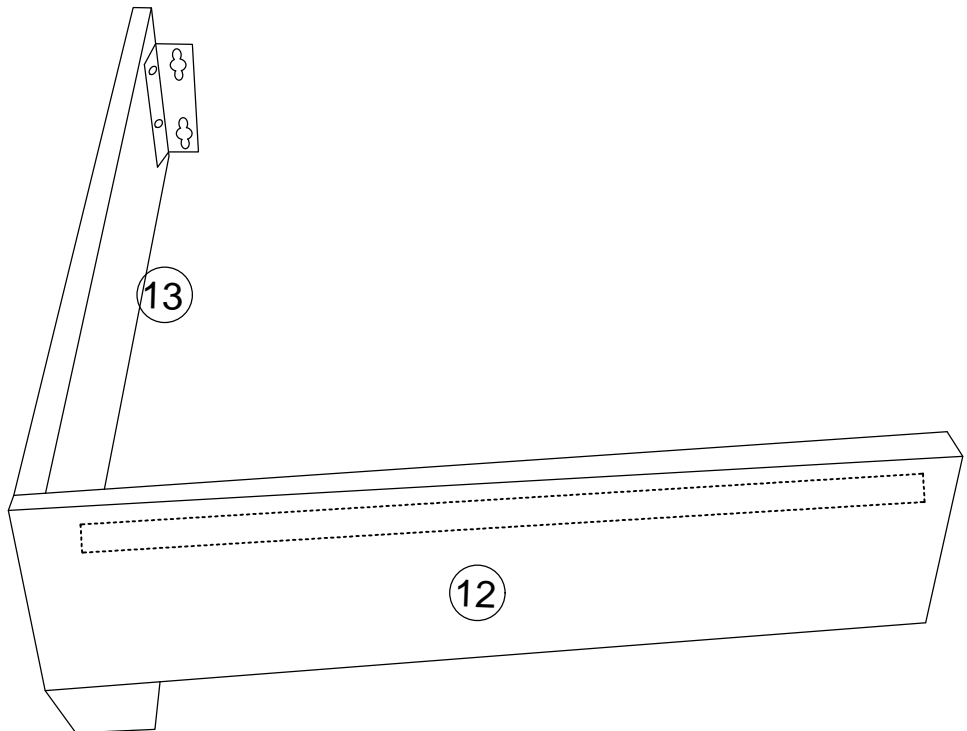
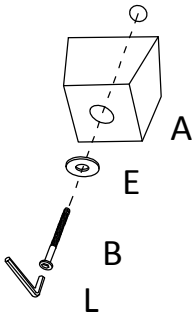
	D X 6
--	-------





STEP 13:



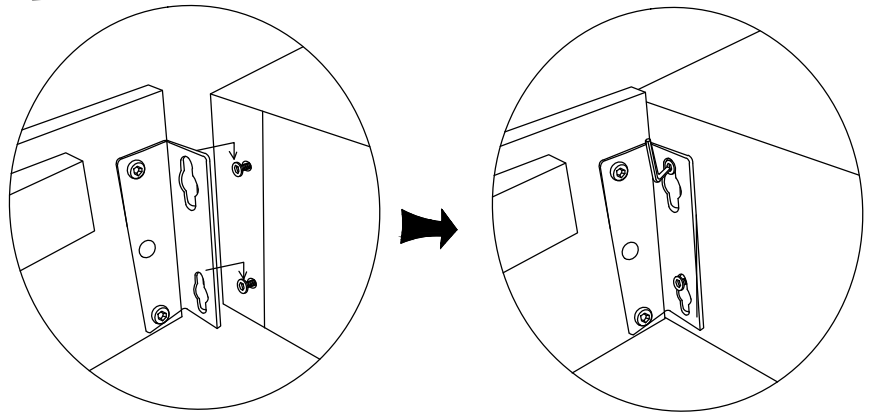
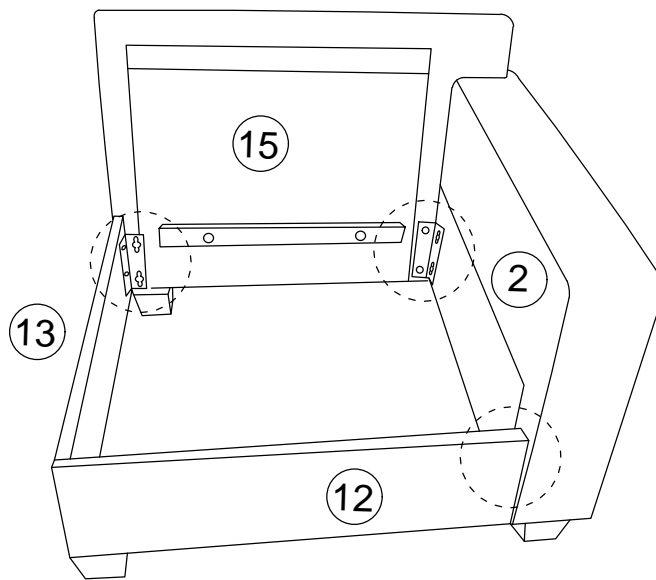
	C X 2
	E X 8
	G X 1
	F X 3
	D X 6
	H X 1



STEP 14:



	A X 1
	B X 1
	E X 1
	H X 1

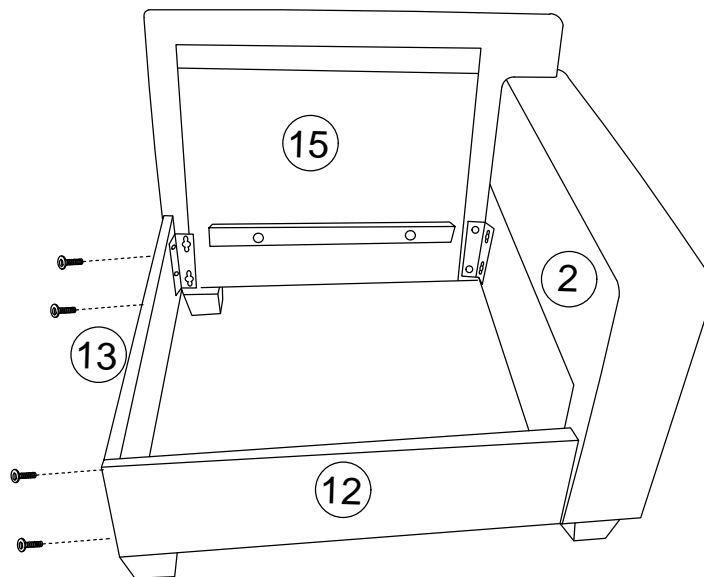
STEP 15:




	DX 8
	H X 1

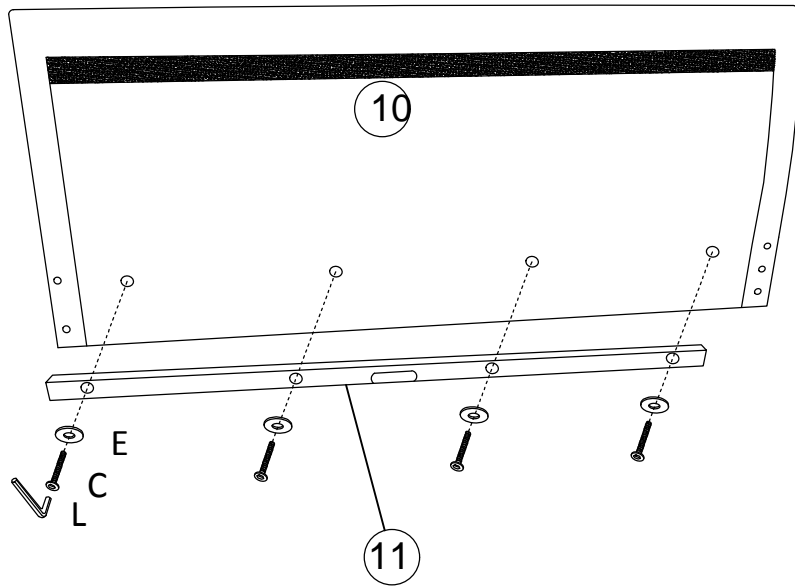
Assemble the Armless 2S.




STEP 16: Tighten half.



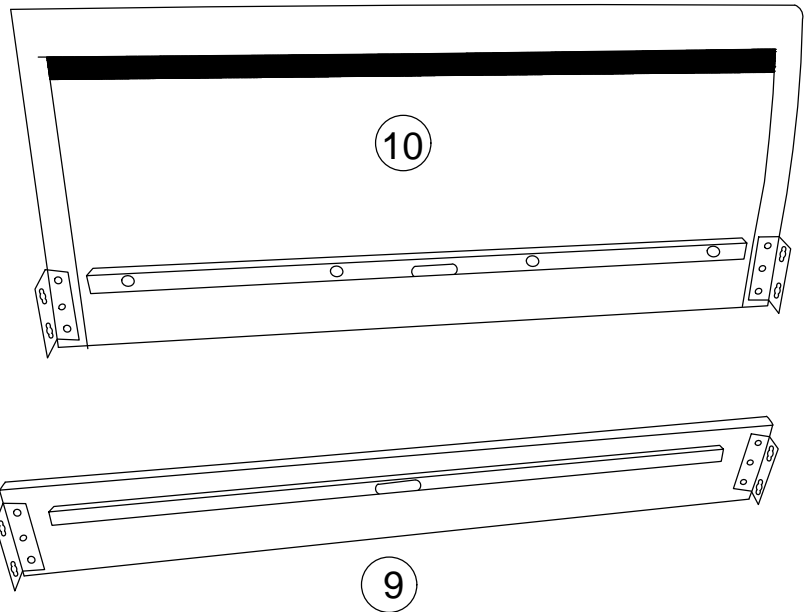
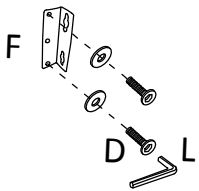
	DX 4
--	------


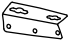


STEP 17:



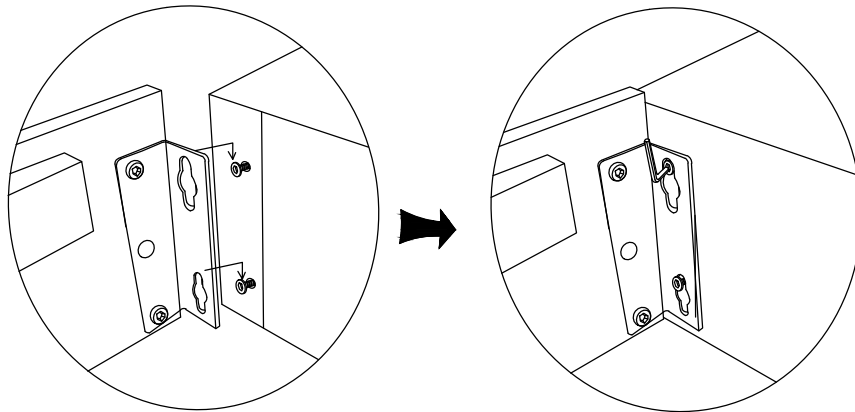
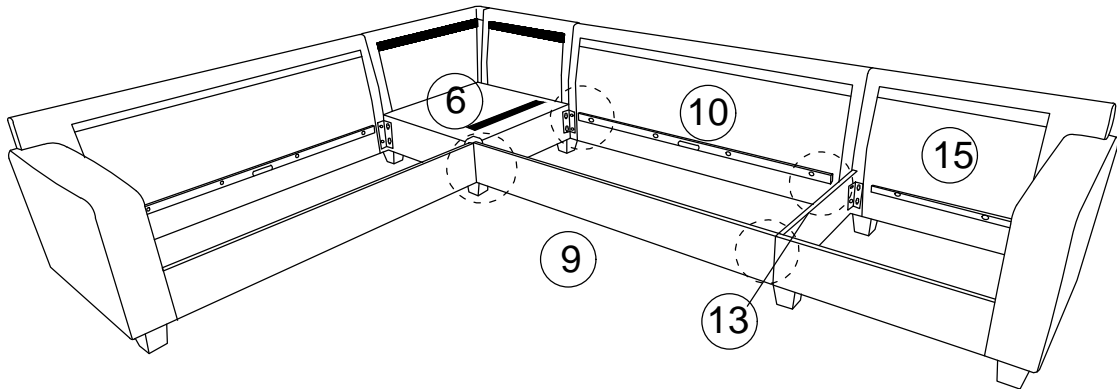
	CX 4
	E X4
	HX 1

STEP 18:



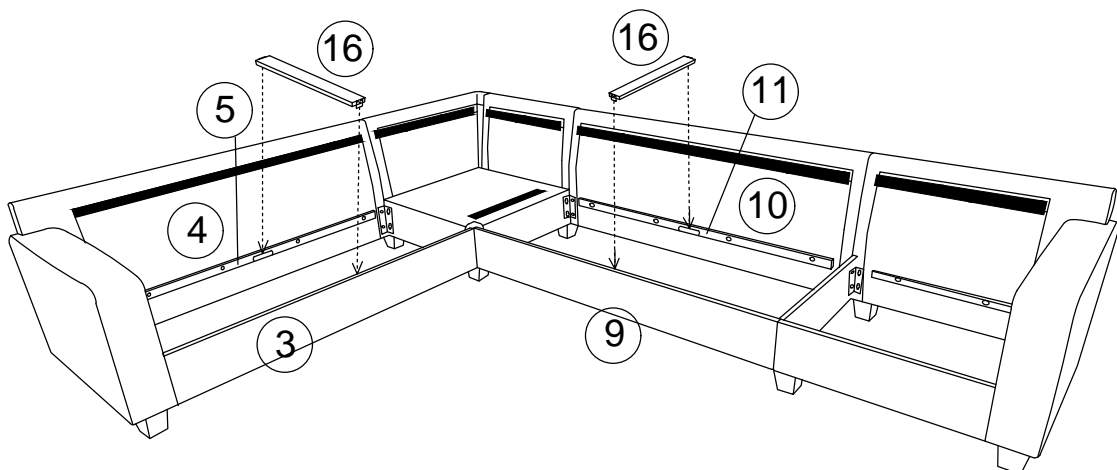
	E X8
	F X 4
	DX 8
	HX 1

STEP 19:

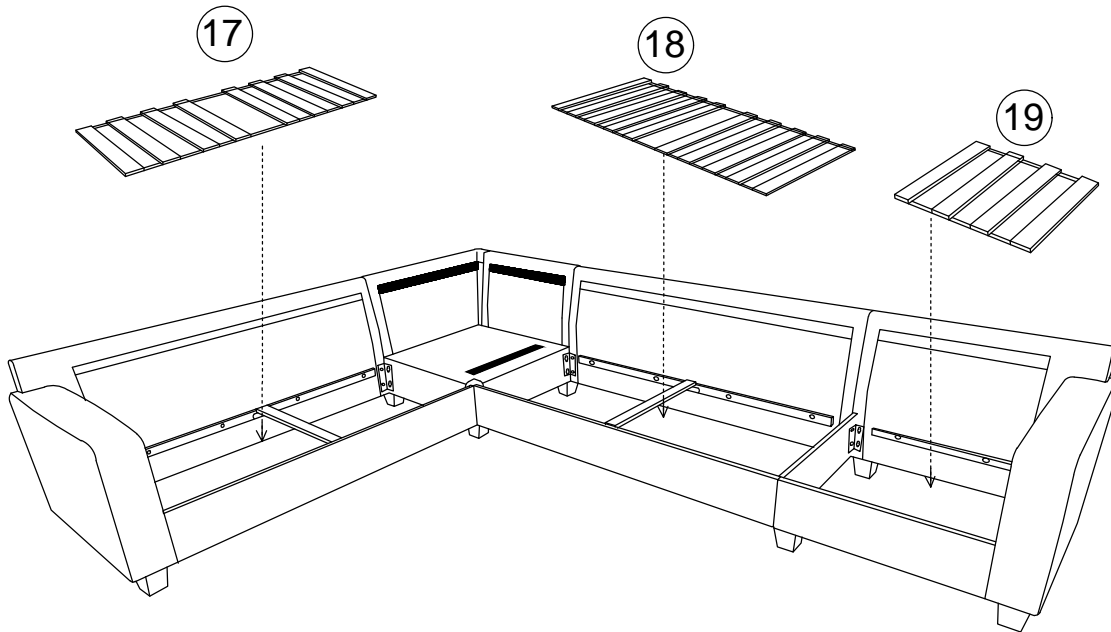


H X 1

STEP 20:

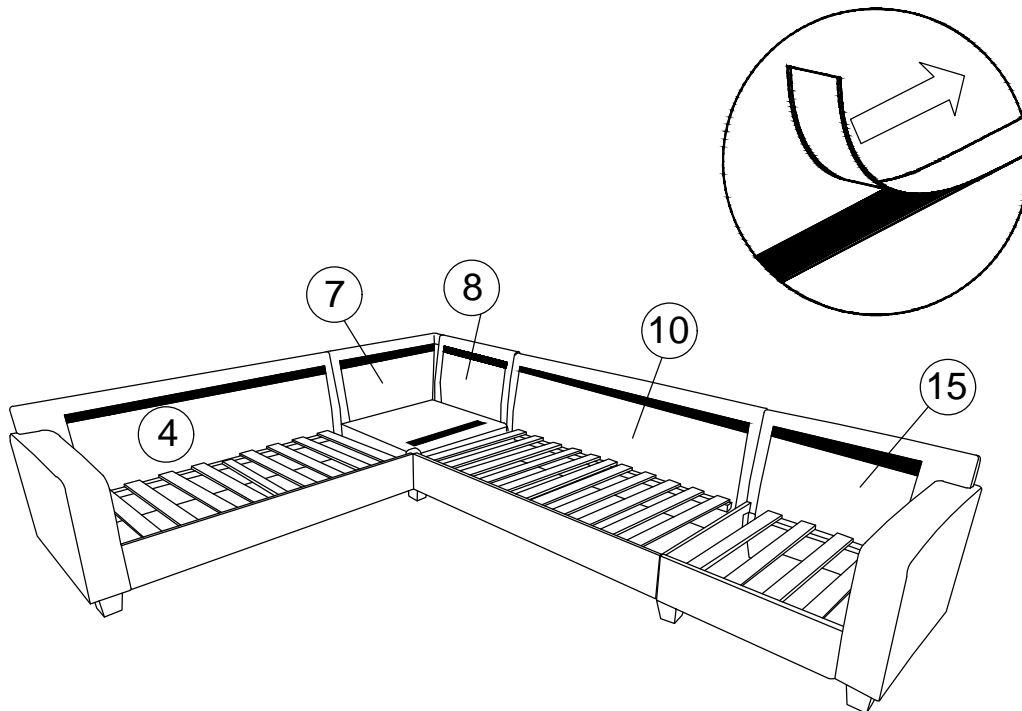


STEP 21:



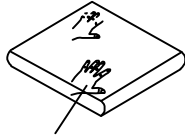
H X 1

STEP 22:



TIPS:

- 1, Please do not open the compress packaging until your sofa frame is completely assembled.
- 2, Compress cushions or pillows need to fully fluffed within 72 hours for your perfect use.
- 3, Please keep children away from plastic bag or any small pieces of stuff.
- 4, After assembly is completed, don't forget to pat the back cushions and seat cushions, make them recovering better. And wait 72 hours for fully rebound.

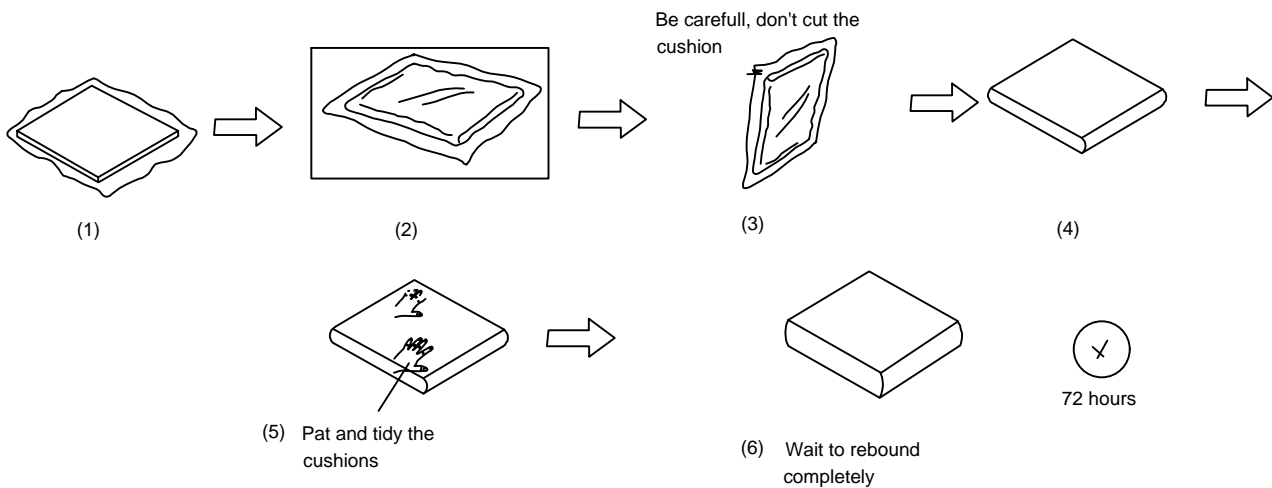


Pat and tidy the cushions

- 5, Cushions should be regularly maintained for perfect use.

STEPS for compressed pack:

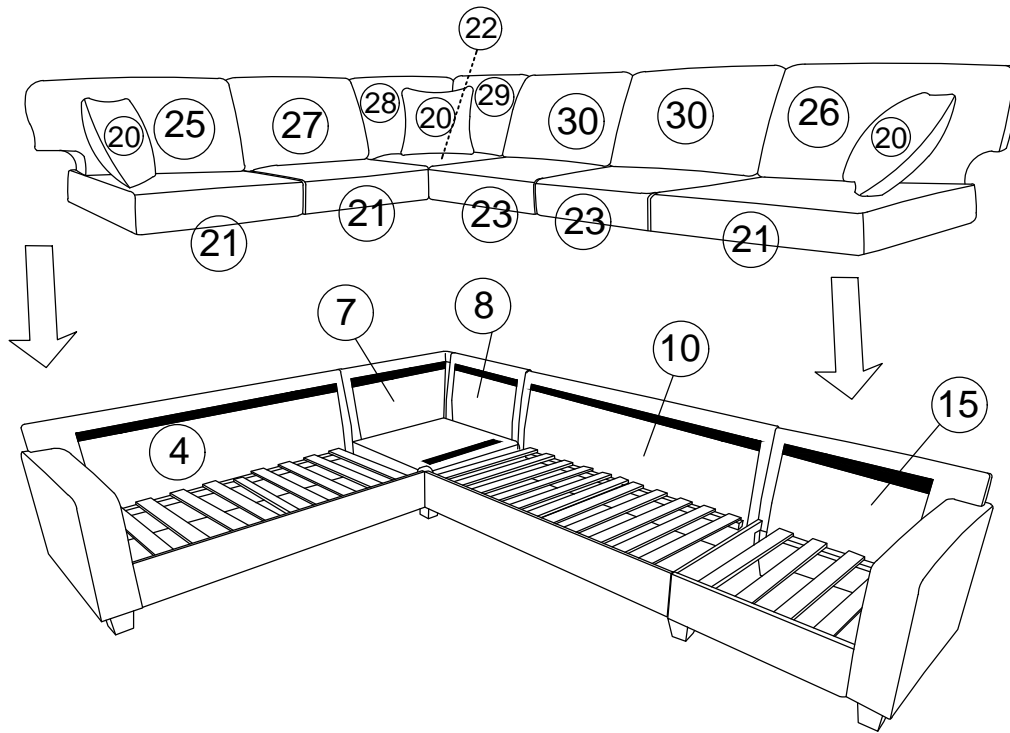
- (1) open the carton -- (2) take out the compressed pack -- (3) cut from edge and take out the cushion -- (4) Put the cushion on floor -- (5) Pat and tidy the cushion -- (6) Wait to rebound completely after 72 hours.



CAUTION

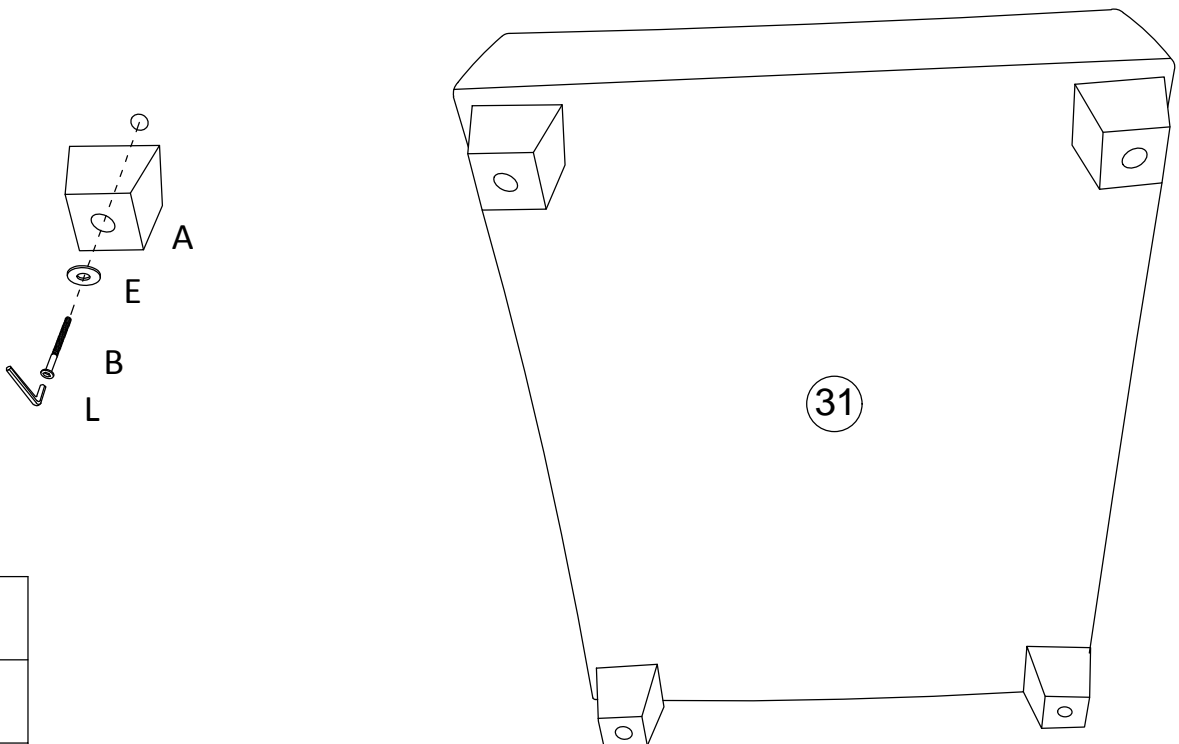
PLEASE DO NOT OPEN COMPRESSED PLASTIC CUSHION BACK UNTIL YOUR SOFA FRAME IS COMPLETELY ASSEMBLED, OTHERWISE, IT CAN'T BE REPACKED IN ORIGINAL PACKING WAY TO RETURN.





STEP 23:



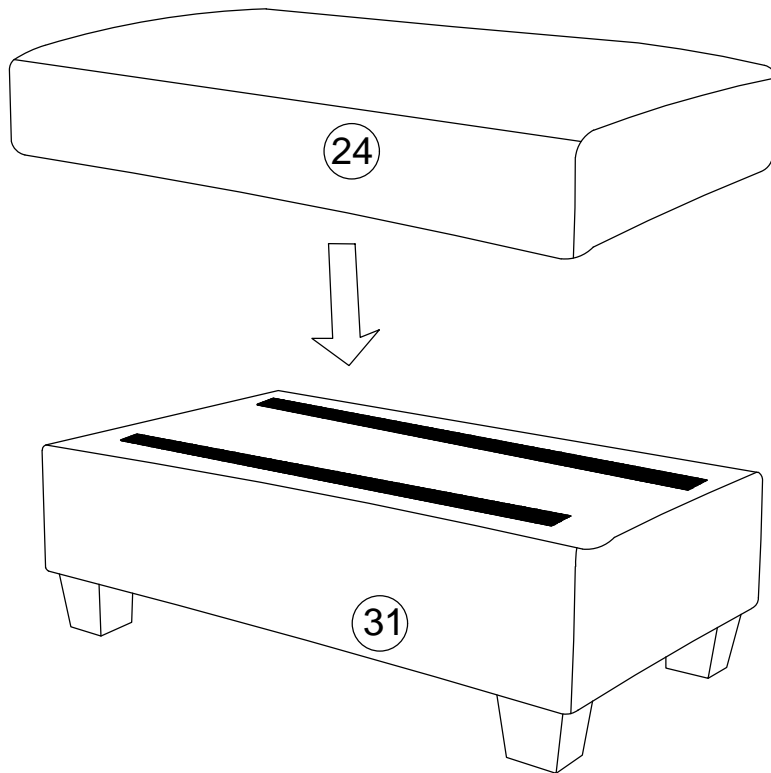
Assemble the Stool.

STEP 24:



	A X 4
	B X 4
	E X 4
	H X 1

STEP 25:



Complete

