

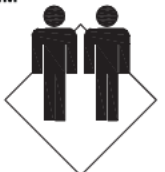
USER'S MANUAL
Vanity Set with Mirror and Stool

THIS INSTRUCTION BOOKLET CONTAINS **IMPORTANT** SAFETY INFORMATION. PLEASE READ AND KEEP FOR FUTURE REFERENCE.

Please give us a chance to make it right and do better!

Contact our friendly customer service department for help first.
Replacements for missing or damaged parts will be shipped ASAP!

**FLOOR AREA
2MX2M**



ASSEMBLED BY 2 ADULTS

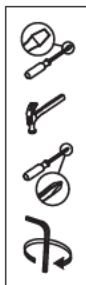
Contact Us!

Do NOT return this item.

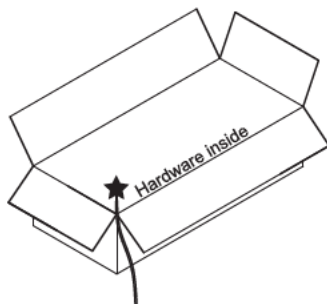
Contact our friendly customer service department for help first.



Before You Start

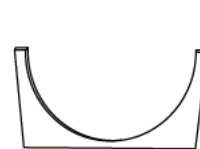


- ⦿ Read each step carefully before starting. It is very important to ensure each step followed in correct order, otherwise assembly difficulties may occur.
- ⦿ Most of board parts are labeled or stamped on the raw edges. Have a check to make sure all parts are included.
- ⦿ Work in a spacious area, preferably on a carpet close to where the unit will be used.
- ⦿ Keep the handtools close at hand. Do not use power tools to assemble your furniture. They may scratch or damage the parts.

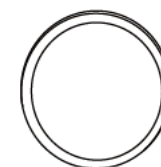


Board Identification

Not actual size



B Frame x 1



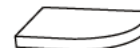
C Mirror x 2



D Backboard x 2



E Side panel x 2



F Horizontal x 2



G Storage Box x 2



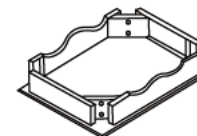
H Desktable x 1



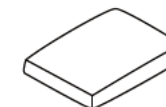
I table leg x 4



J stool leg x 4



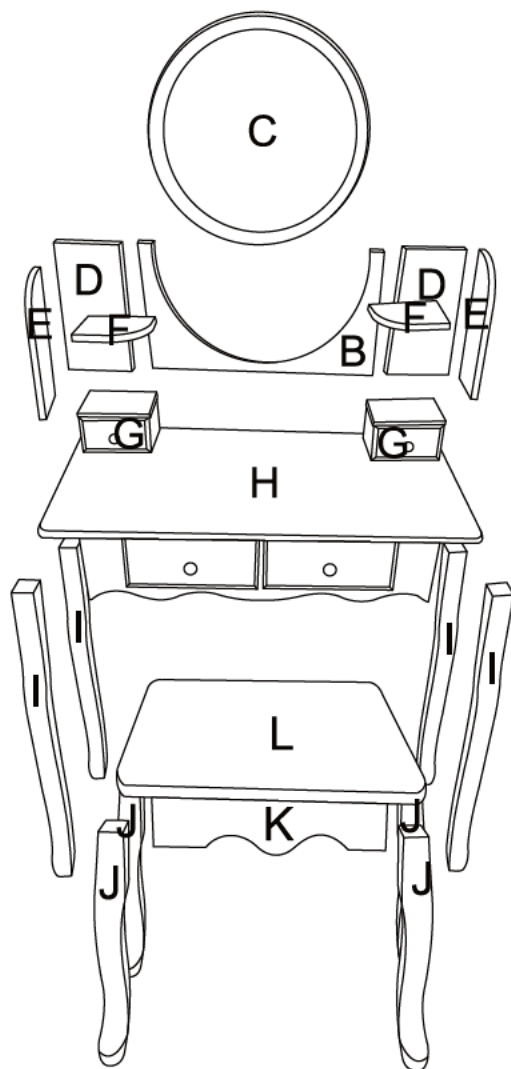
K stool x 1



L cushion x 1

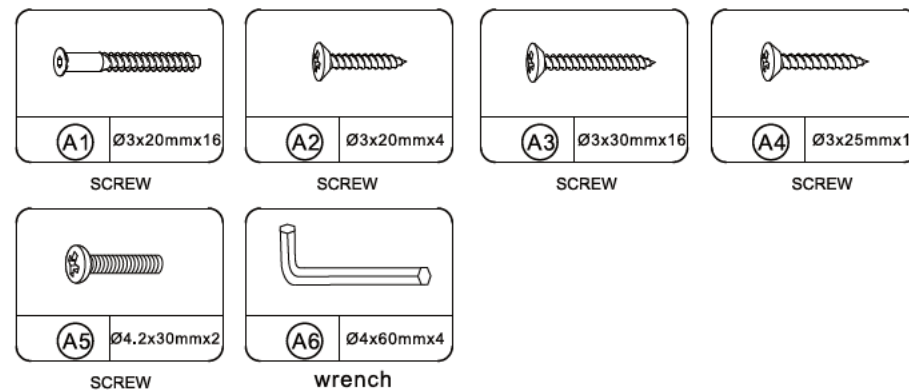
Board Identification

Not actual size



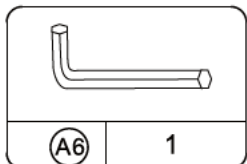
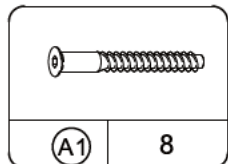
Hardware List

Actual size

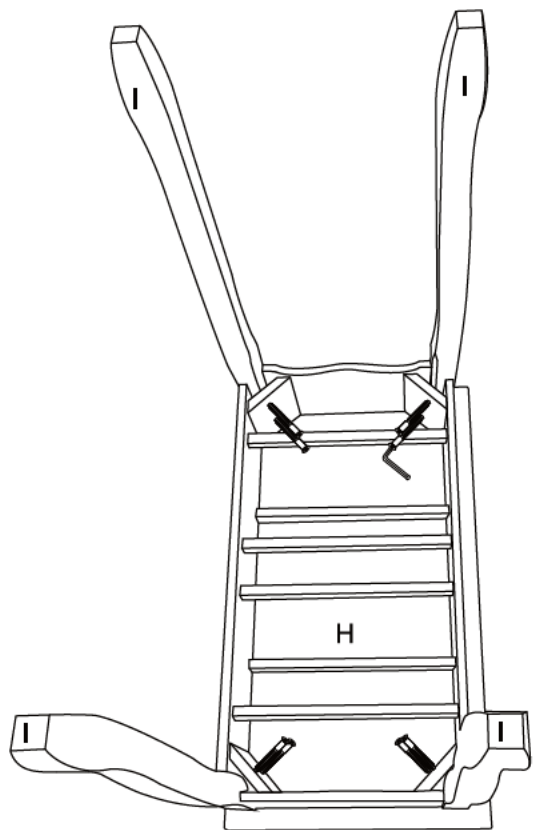


PRODUCT ASSEMBLY

STEP 1

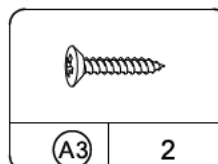


As shown in the figure, I is fixed below H using A1 and A6.

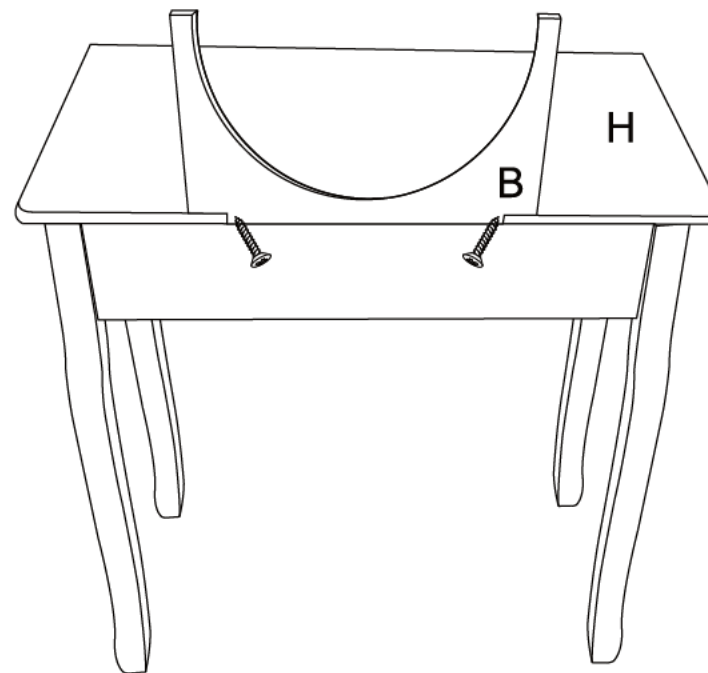


PRODUCT ASSEMBLY

STEP 2

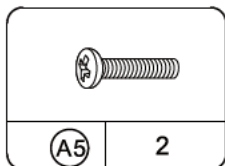


As shown in the figure, B is fixed to the back of H using a cross-screwdriver and A3.

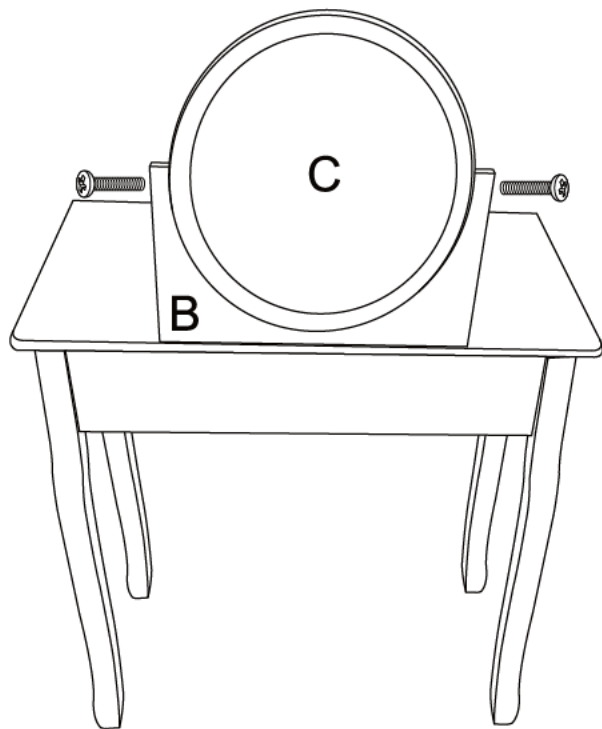


PRODUCT ASSEMBLY

STEP 3

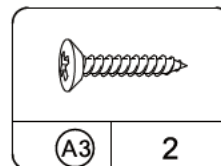


As shown in the figure, C is fixed to the top of B using a screwdriver and A5.

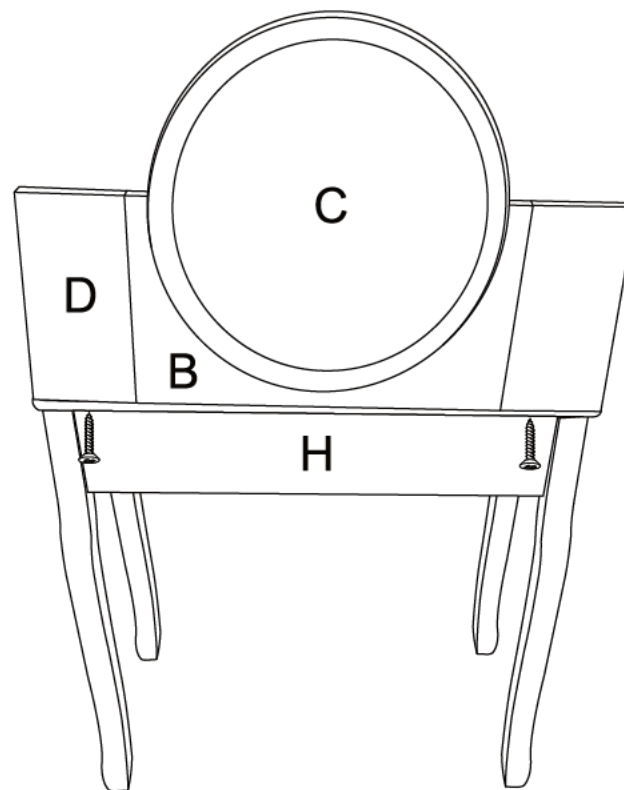


PRODUCT ASSEMBLY

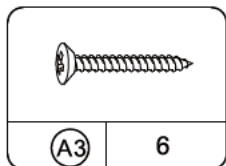
STEP 4



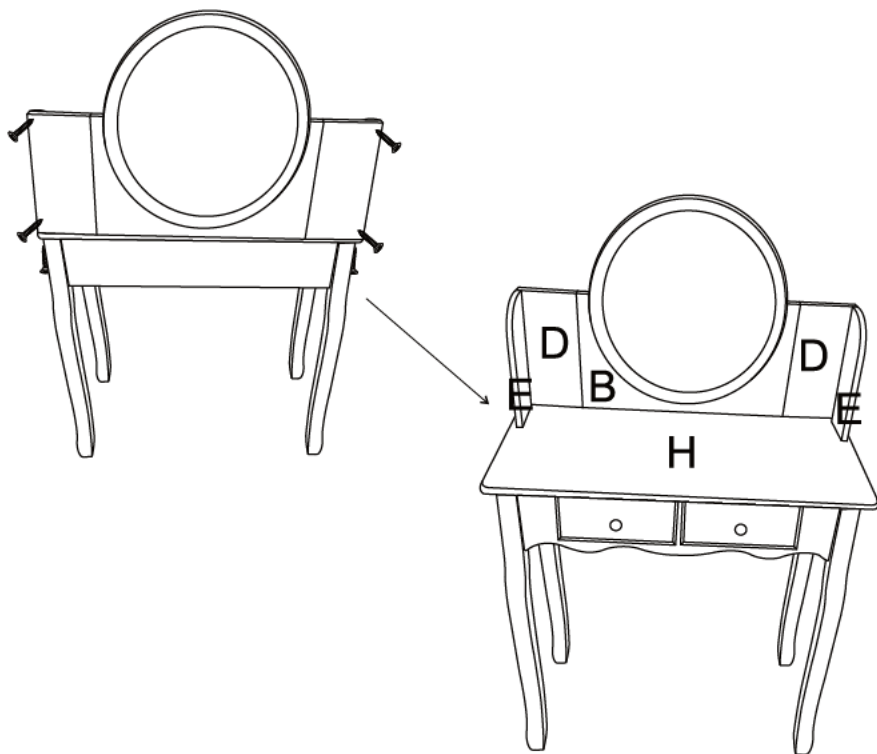
As shown in the figure, use a screwdriver and A3 to fix D behind H.



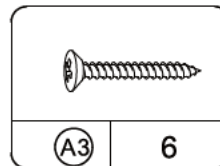
STEP 5



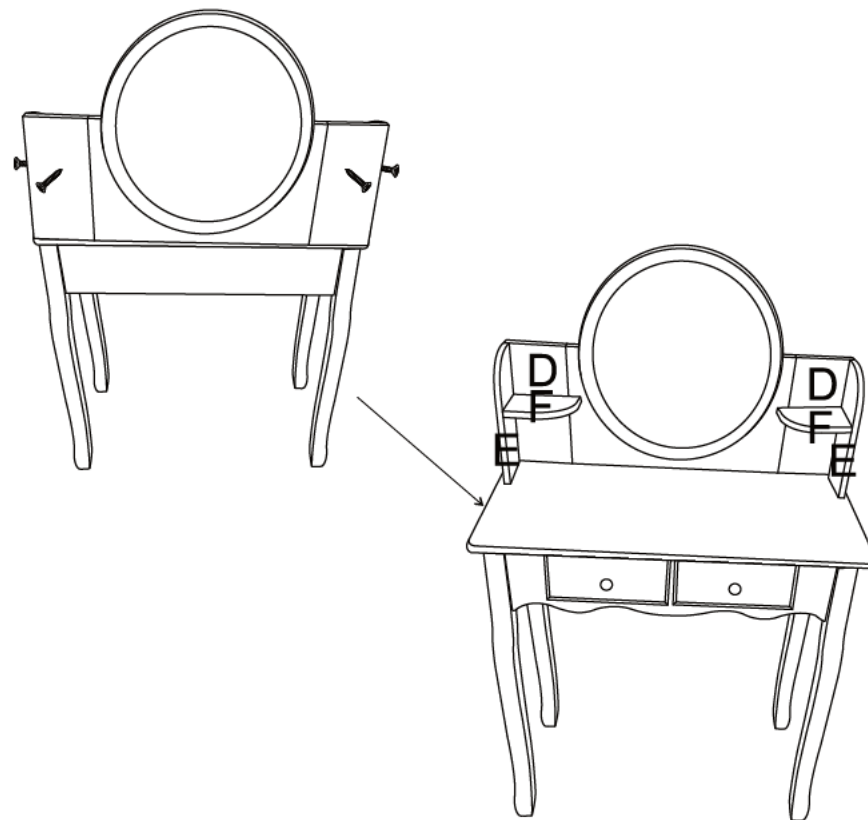
As shown in the figure, use a screwdriver and A3 to fix E behind D and H



STEP 6

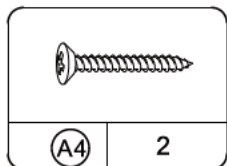


As shown in the figure, F is fixed in the middle of D E using a screwdriver and A3.

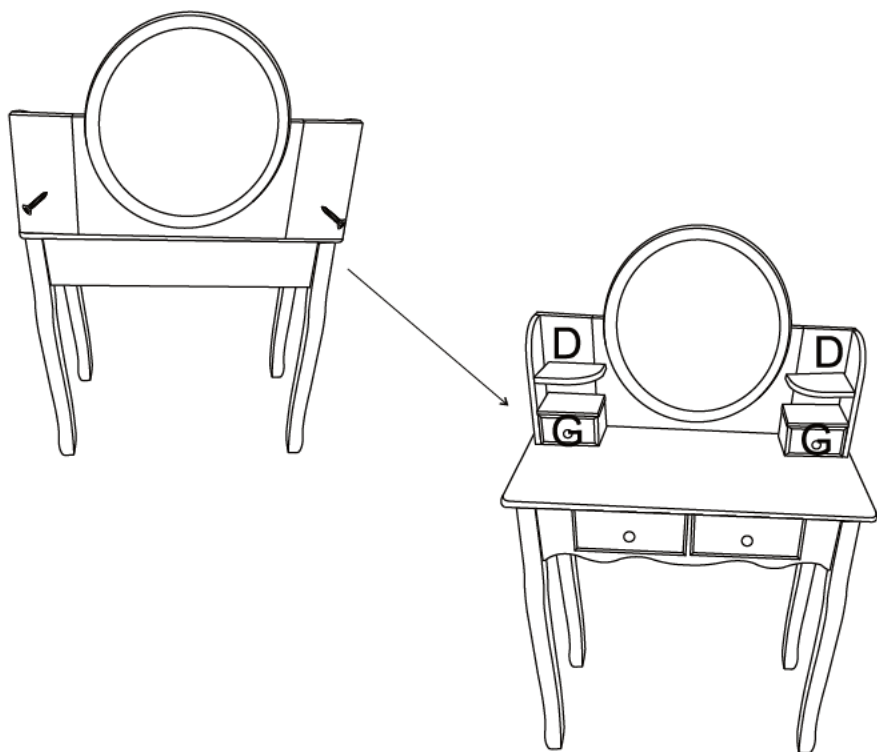


PRODUCT ASSEMBLY

STEP 7

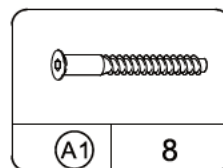


As shown in the figure, G is fixed to the lower position of D using a screwdriver and A4.

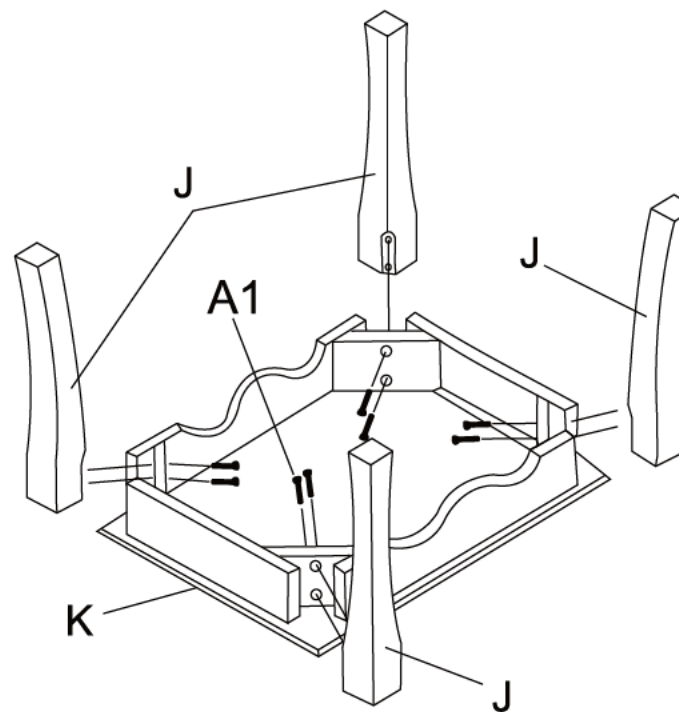


PRODUCT ASSEMBLY

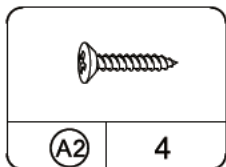
STEP 8



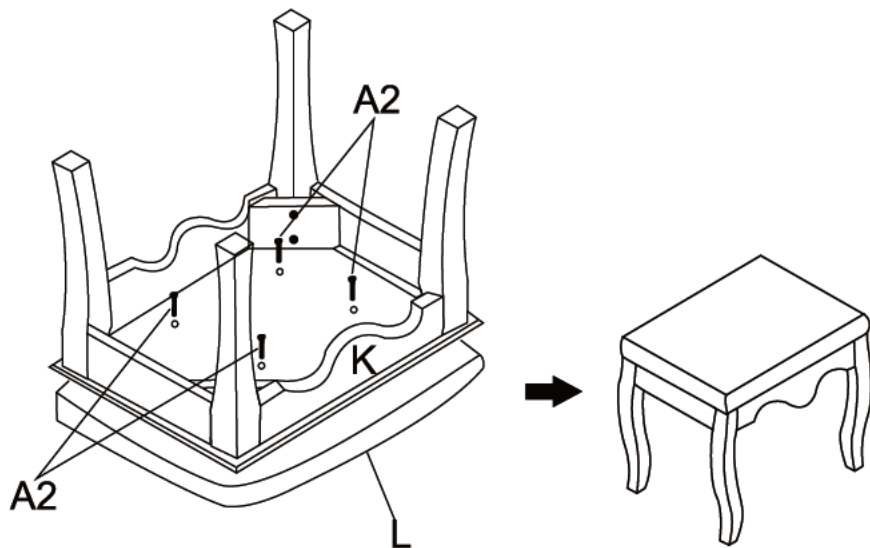
As shown in the figure, J is fixed below K using A1 and A6.



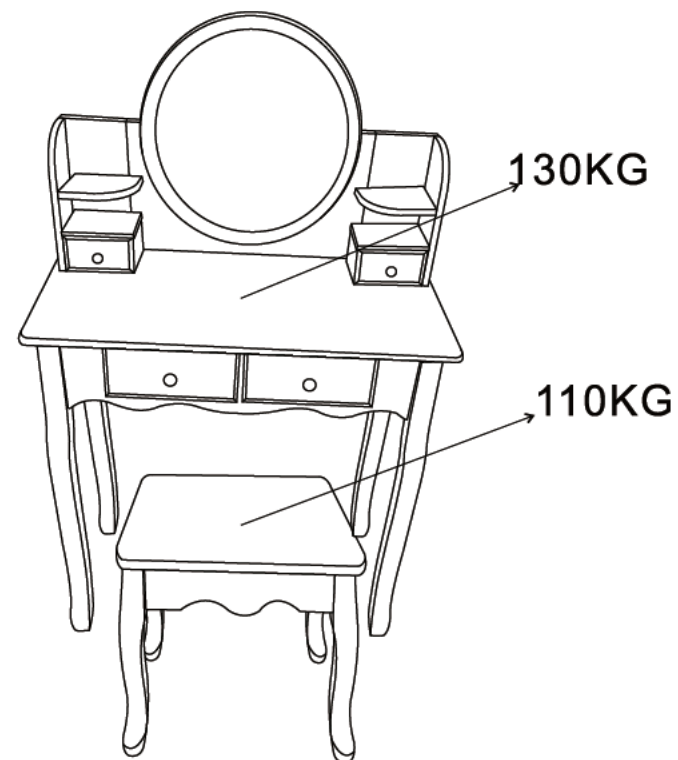
STEP 9



As shown in the figure, use a screwdriver and A2 to fix L to the top of K.



Maximum Loads



⚠ WARNING

This item is only suitable within the specified maximum load-bearing. Heavier loads than the indicated load capacity may cause instability, resulting in possible injuries.

Care and Maintenance

Use a soft, clean cloth that will not scratch the surface when dusting.

Use of furniture polish is not necessary.

Should you choose to use polish, test first in an inconspicuous area.

Using solvents of any kind on your furniture may damage the finish.

Never use water to clean your furniture as it may cause damage to the finish.

Liquid spills should be removed immediately. Using a soft clean cloth, blot the spill gently. Avoid rubbing.

Check bolts/screws periodically and tighten them if necessary.

Further advice about wood furniture care

It is best to keep your furniture in a climate-controlled environment.

Extreme temperature and humidity changes can cause fading, warping, shrinking and splitting of wood.

It is advised to keep furniture away from direct sunlight as sun may damage the finish.

Proper care and cleaning at home will extend the life of your purchase.

Following these important and helpful tips will enhance your furniture as it ages.

Welcome to visit our website and purchase our quality products!

Your suggestions and comments for COSTWAY are really important to us!

We sincerely solicit you to go back to our shop and leave a good rating in just a simple click. It would be quite encouraging if you could kindly do so like below:

★★★★★ Great products so far

February 24, 2019

Great products so far, Fast delivery, easy setup, and working without any issues.

With your inspiring rating, we will be more consistent to offer you EASY SHOPPING EXPERIENCE, GOOD PRODUCTS and EFFICIENT SERVICE!

US office: Fontana, California

UK office: Ipswich



- * Reward Points
- * Exclusive Customer Service
- * Personalized Recommendations
- * Permanent Shopping Cart
- * Order History

5 Star Rating



We would like to extend our heartfelt thanks to all of our customers for taking time to assemble this product and giving us valuable feedbacks.

THANK
you
☺