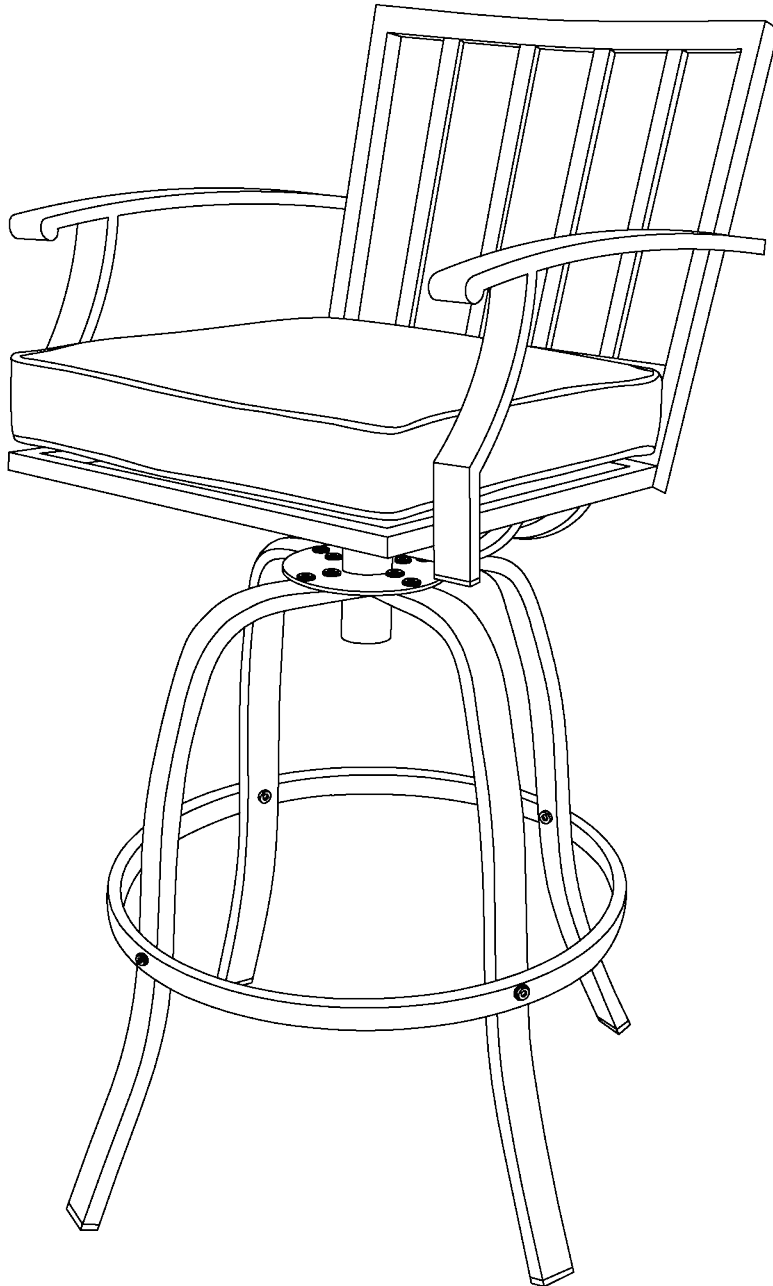


INSTRUCTION

Metal Bar Stool Set 2PCS

Assembly & Care instructions



SKU: P25034-S1

Please read & retain for future reference

CATALOGS

Parts List	3
Screw Set List.....	4
Extra	5
Specifications	6
Installation Steps	7

Care & Instructions

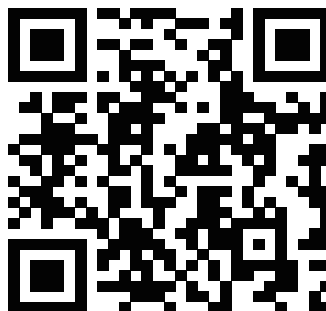
Thank you for ordering this Metal Bar Stool Set. Here are some suggestions that may help you:

1. This set of Metal Bar Stool Set comes two per case.
2. If any parts are damaged or lost, please read this instruction carefully (refer to the parts list on page. 3 and page 5), please feel free to contact us. We will send you a replacement immediately.
3. We hope you can like our products, if you have any other questions, please contact us.

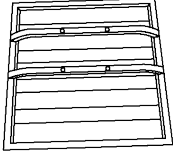
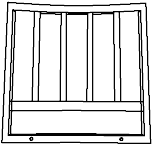
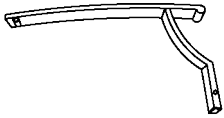
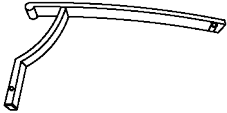
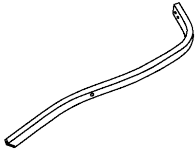
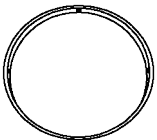
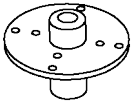
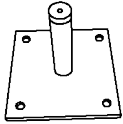
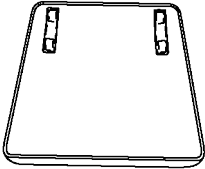
How to contact us:

Email:service@alaulm.com

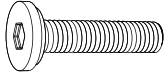
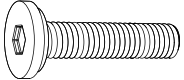
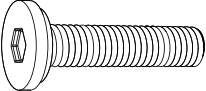
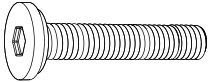

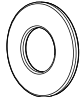




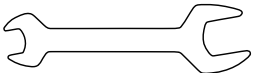
Web:www.alaulm.com



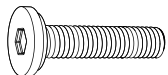
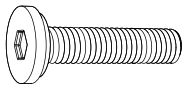
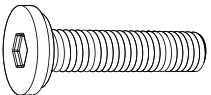
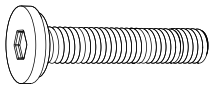
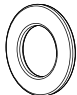
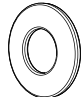


PARTS LIST

PARTS LIST			
Part	Description	Part Name	Qty
L001		Seat Plate Part	2
L002		Back Plate Part	2
L003		Left Armrest Part	2
L004		Right Armrest Part	2
L005		Bar Stool Leg	8
L006		Bar Stool Leg Connecting Ring	2
L007		Connection Bar	2
L008		T-Shaped Connector	2
L009		Seat Cushion with Core	2

SCREW SET LIST

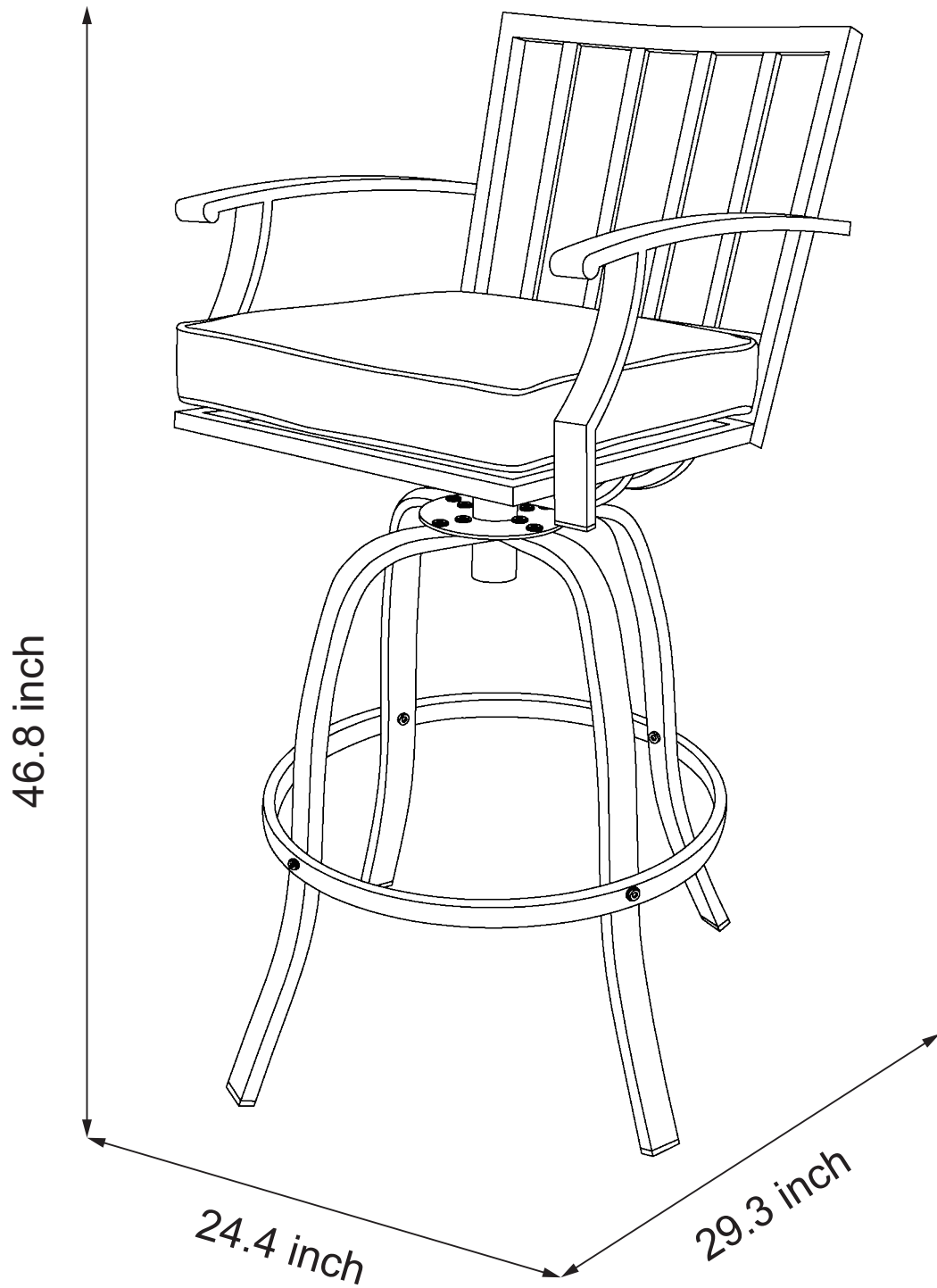
Screw Set List			
Part	Description	Part Name	Qty
A		Bolt M6 × 30	12 PCS
B		Bolt M6 × 40	2 PCS
C		Bolt M8 × 40	24 PCS
D		Bolt M8 × 45	8 PCS
E		M6 Gasket	12 PCS
F		M8 Gasket	64 PCS
G		M6 Metal Cover	2 PCS
H		M8 Jam Nut	32 PCS
I		Allen Wrench M6	1 PC
J		Allen Wrench M8	1 PC
K		Wrench	1 PC

EXTRA

Extra			
Part	Description	Part Name	Qty
A		Bolt M6 × 30	1 PC
B		Bolt M6 × 40	1 PC
C		Bolt M8 × 40	3 PCS
D		Bolt M8 × 45	1 PC
E		M6 Gasket	1 PC
F		M8 Gasket	5 PCS
G		M8 Metal Cover	1 PC
H		M8 Jam Nut	4 PCS

WARNING: Failure to locate parts in accordance with these diagrams, or failure to use special parts provided with this equipment, may result in property damage or personal injury.

SPECIFICATIONS

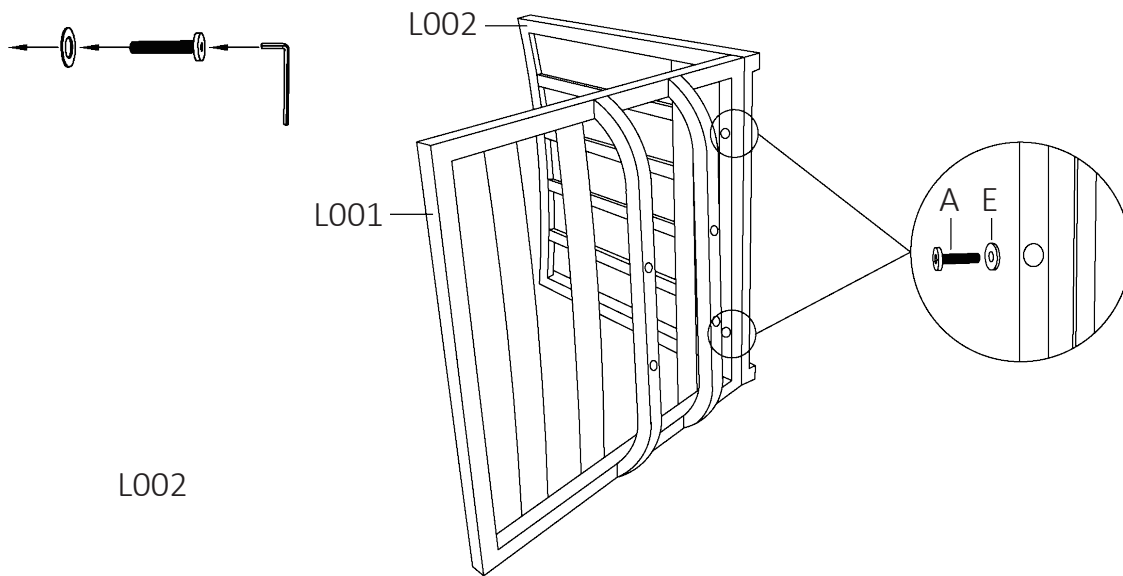


INSTALLATION STEPS

Step 1

Connect Seat Plate Part(L001) and Back Plate Part(L002) with screws(A).

Note: Do not tighten the Screws.



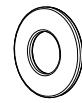
L001×2



L002×2



A×4

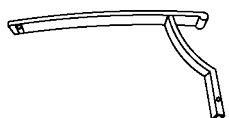
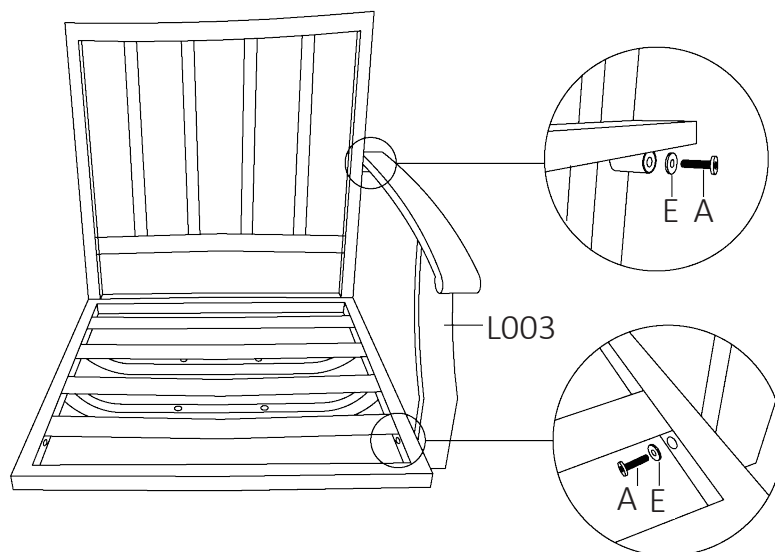


E×4

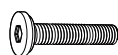
Step 2

Attach the Left Armrest Part(L003) to the Seat Plate Part(L001) and Seat Plate Part(L002) using screws(A).

Note: Do not tighten the Screws.



L003×2



A×4



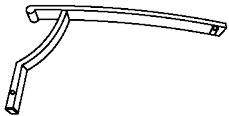
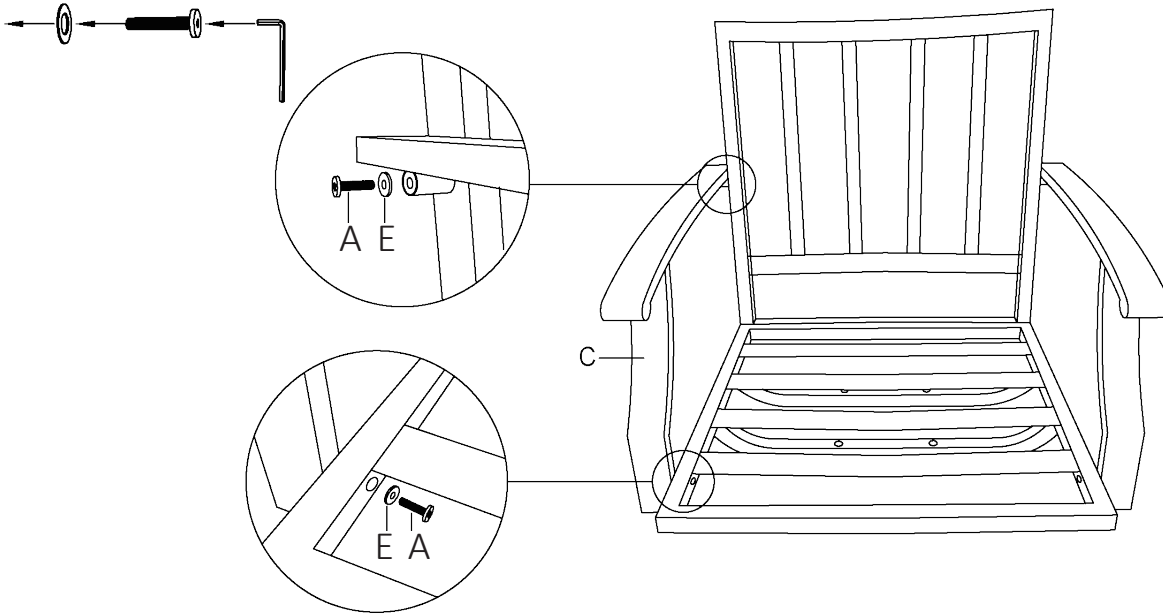
E×4

INSTALLATION STEPS

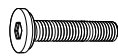
Step 3

Attach the Right Armrest Part(L004) to the Seat Plate Part(L001) and Seat Plate Part(L002) using screws(A).

Note: Do not tighten the Bolt.



L004×2



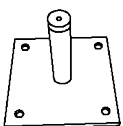
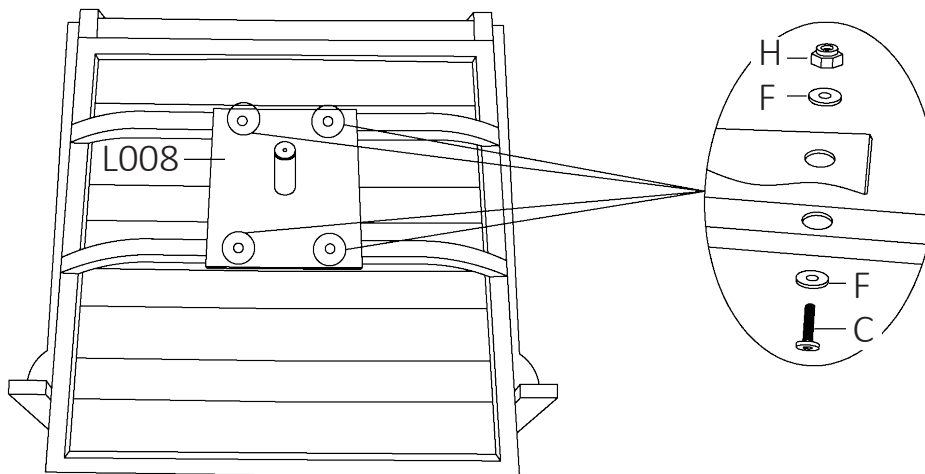
A×4



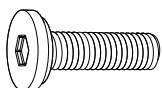
E×4

Step 4

Connect the T-Shaped Connector(L008) to the Seat Plate Part(L001) using screws(C).



L008×2



C×8



F×16



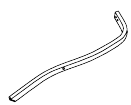
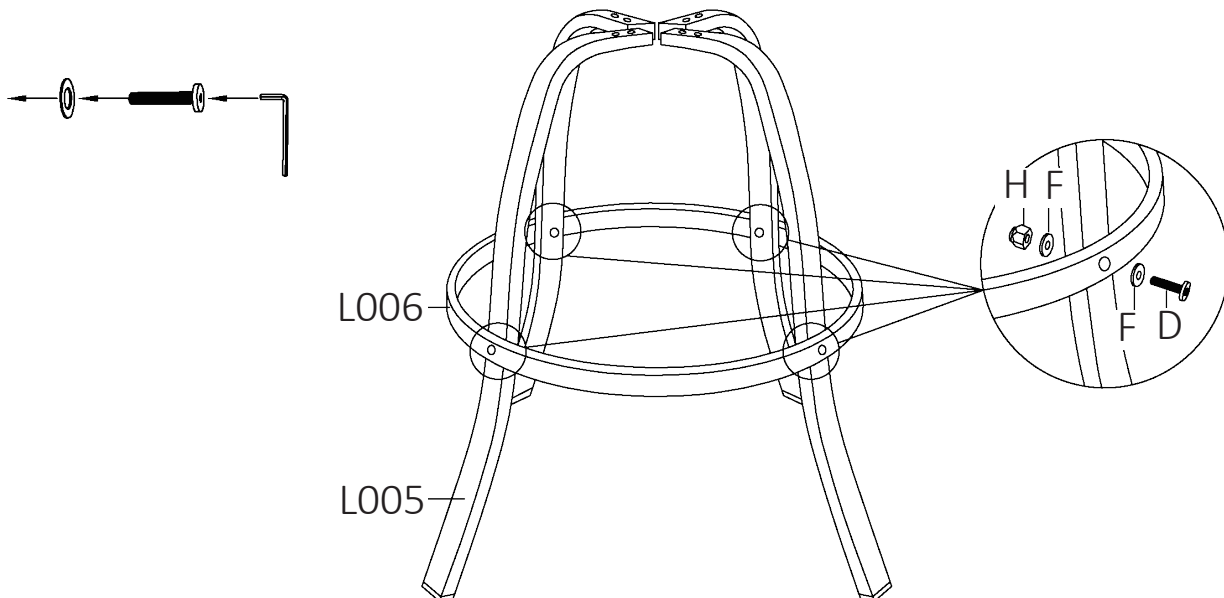
H×8

INSTALLATION STEPS

Step 5

Connect Bar Stool Leg(L005) and Bar Stool Leg Connecting Ring(L006) with screws(D).

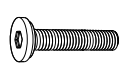
Note: Do not tighten the Screws.



L005×8



L006×2



D×8



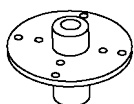
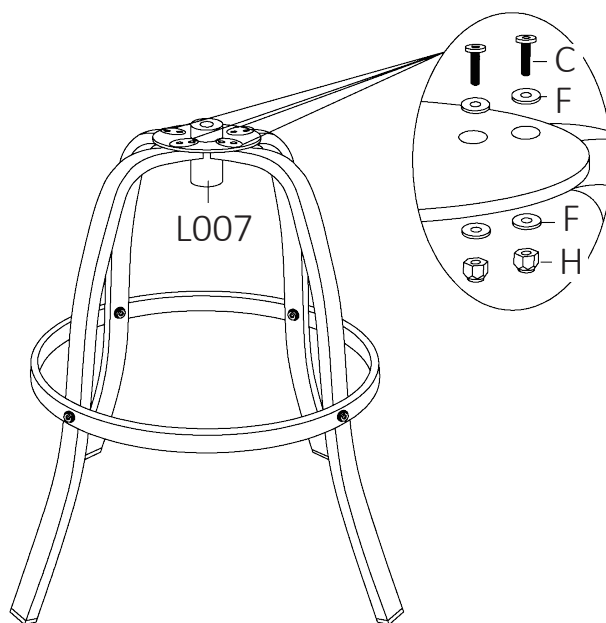
F×16



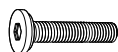
H×8

Step 6

Connect Connection Bar(L007) and Bar Stool Leg(L005) with screws(C).



L007×2



C×16



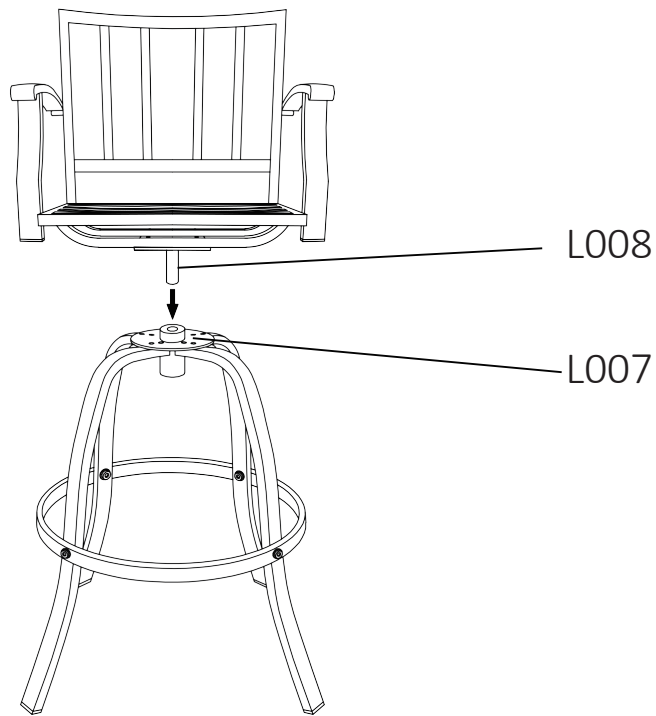
F×32



H×16

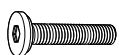
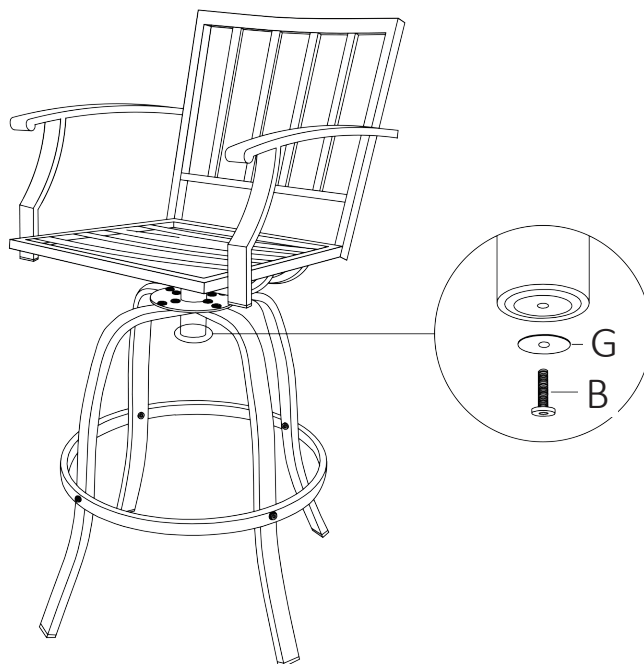
Step 7

Connect the upper and lower sections of the chair using Connection Bar(L007) and T-Shaped Connector(L008).



Step 8

Secure the bottom of Connection Bar(L007) with screws(B).



B×2

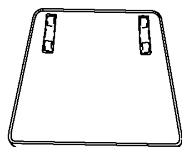
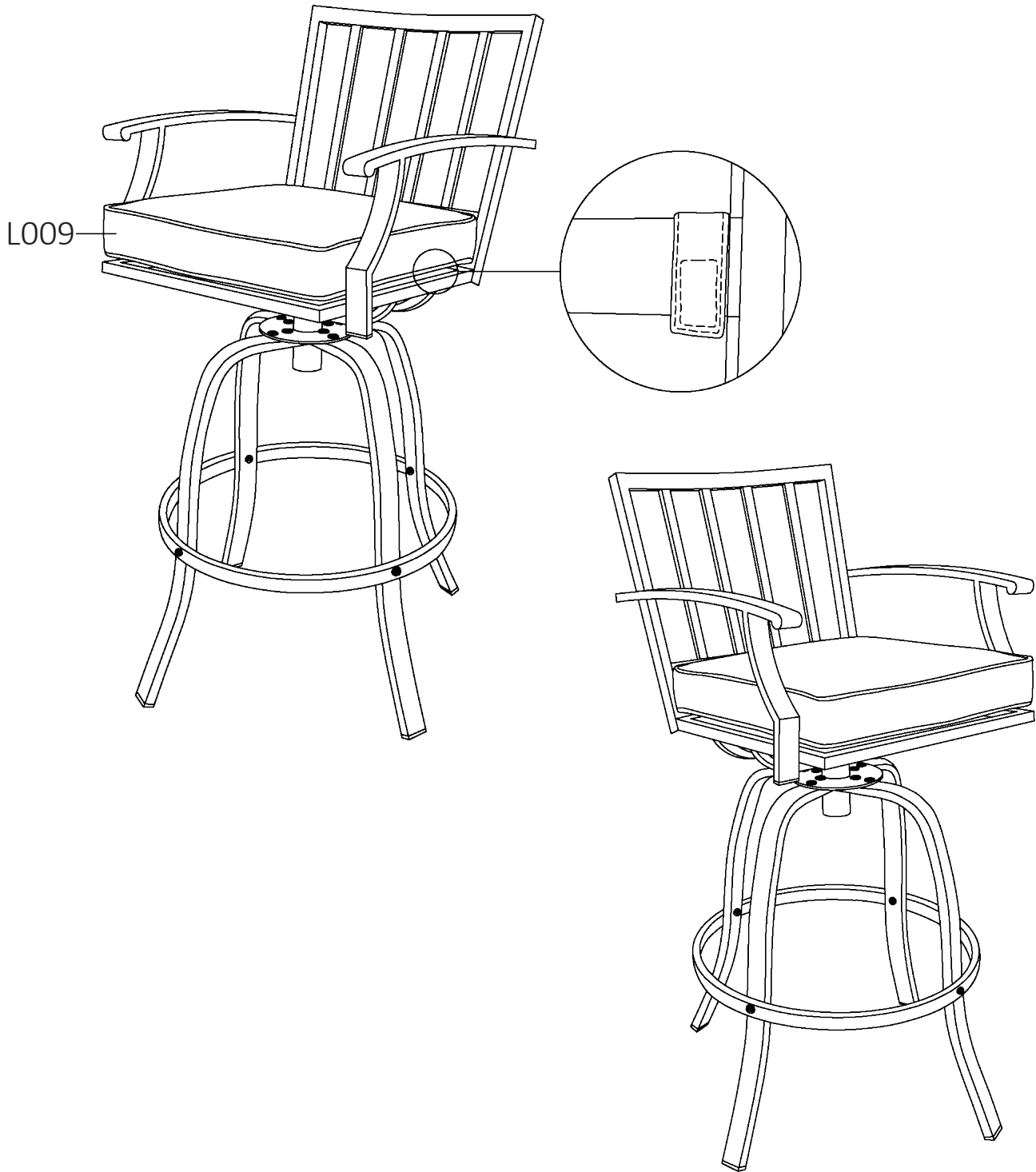


G×2

Step 9

Tighten all screws.

Secure the Seat Cushion(L009) to the Seat Plate Part(L001) using hook-and-loop fasteners.



L009×2

www.alaulm.com

Make Your Life Better.

