

INSTRUCTION MANUAL
Please save this manual for future reference.

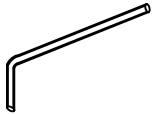
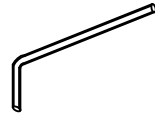
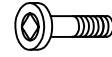
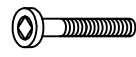
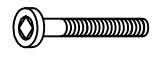
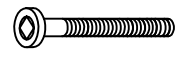



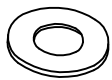
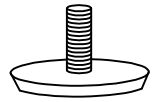
Product Name:	Vertical Rolls Upholstered Headboard with Rubberwood Legs Platform, Queen

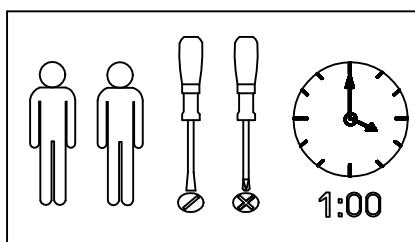
Thank you for purchasing this product. This product has been manufactured with the highest standards of safety and quality.

PLEASE READ ALL INSTRUCTIONS BEFORE ASSEMBLY.

Unpack all parts from the packaging inside the carton to ensure there are no missing or damaged parts. If any parts are missing or damaged, do not attempt to assemble or use the product.

Hardware:

Ⓐ x1	Ⓑ x1	Ⓒ x8	Ⓓ x2	Ⓔ x6	Ⓕ x4
 M4 x 65mm	 M5 x 70mm	 JCBB M8 X 20	 JCBC M6 X 40	 JCBC M6 X 50	 JCBC M6 X 70
Ⓖ x2	Ⓗ x31	Ⓘ x10	Ⓙ x10	Ⓚ x2	
 CSK M4 X 25	 CSK M4 X 32	 M6 Spring Washer	 M6 Flat Washer	 Small Adjuster	








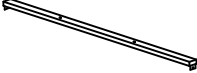


Tools required for assembly: Philips screwdriver and Flathead screwdriver (if using power tools, use with care)

INSTRUCTION MANUAL

Please save this manual for future reference.

Product Name:	Vertical Rolls Upholstered Headboard with Rubberwood Legs Platform, Queen

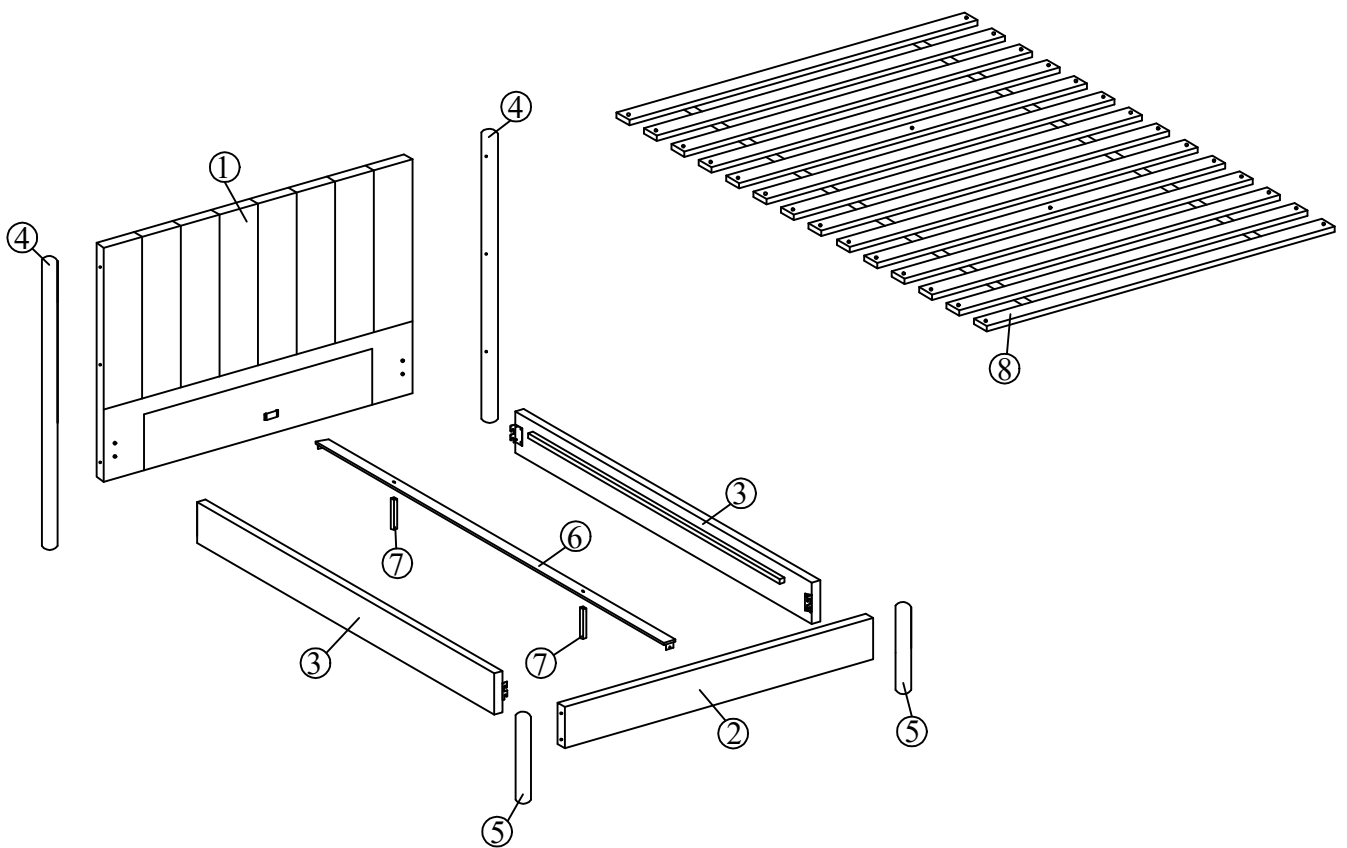
Panel:

① x1	② x1	③ x2	④ x2	⑤ x2	⑥ x1
					
⑦ x2	⑧ x1				
					

INSTRUCTION MANUAL

Please save this manual for future reference.

Product Name:	Vertical Rolls Upholstered Headboard with Rubberwood Legs Platform, Queen

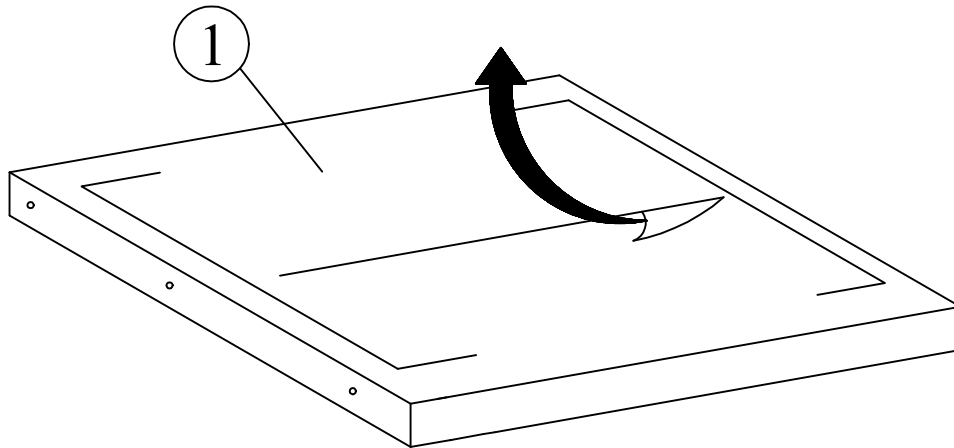


INSTRUCTION MANUAL

Please save this manual for future reference.

Product Name:	Vertical Rolls Upholstered Headboard with Rubberwood Legs Platform, Queen

Step 1

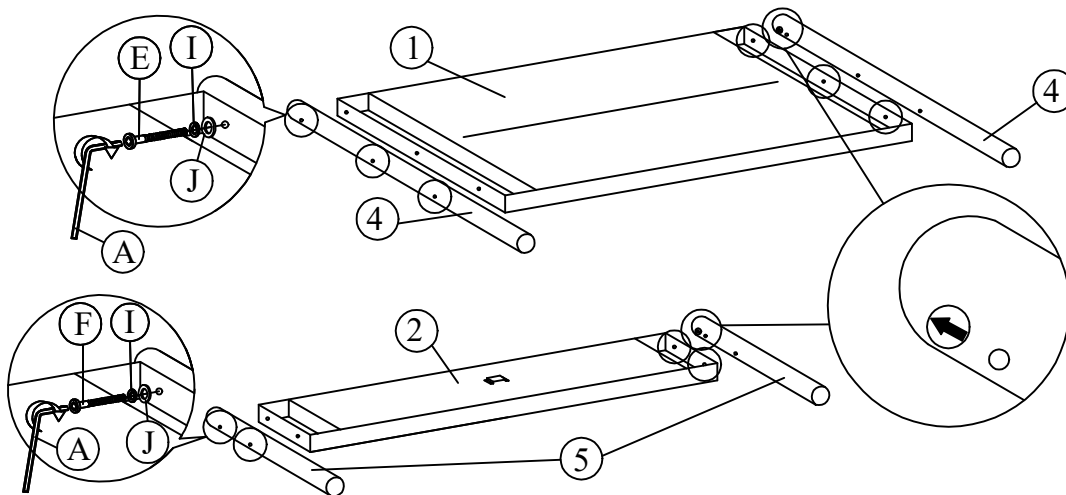


BACK VIEW

Unzip the black non-woven fabric on the back of headboard legs.

Step 2

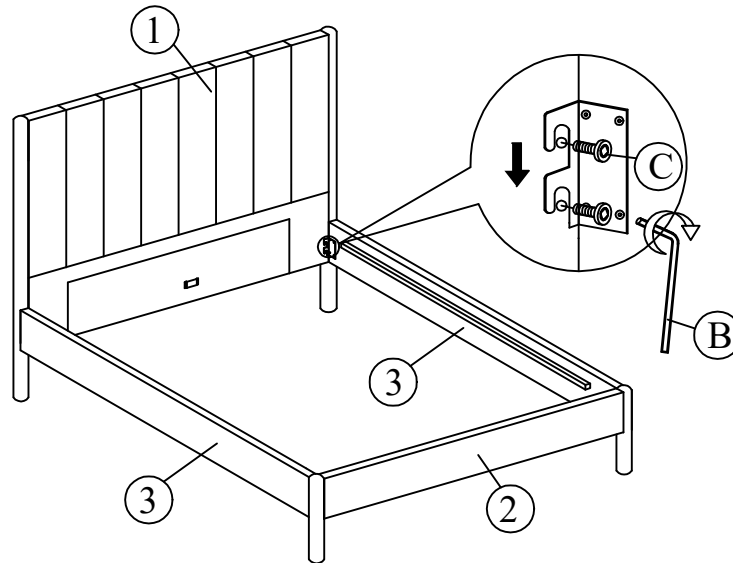
A x1	E x1	F x1	I x1	J x1



Install the headboard legs (4) / footboard legs (5) to footboard (2) and headboard (1). Tighten the legs.

Product Name:	Vertical Rolls Upholstered Headboard with Rubberwood Legs Platform, Queen

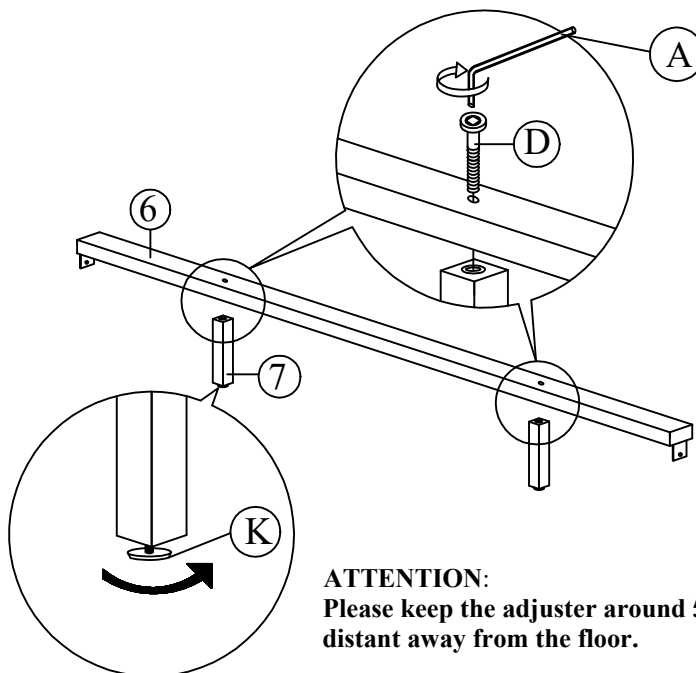
Step 3



B x1
C x8

Attach side rail (3) to footboard (2) and headboard (1) by pushing the bracket down to fit it.

Step 4



A x1
D x2
K x2

ATTENTION:
Please keep the adjuster around 5 to 8 mm distant away from the floor.

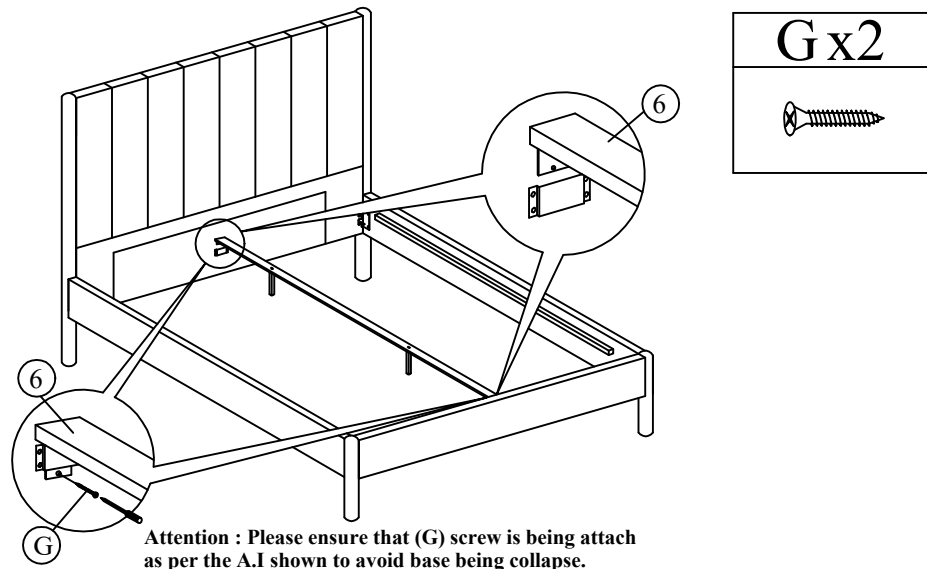
Attach the support legs (7) to the center rail (6) of the bed as shown.

INSTRUCTION MANUAL

Please save this manual for future reference.

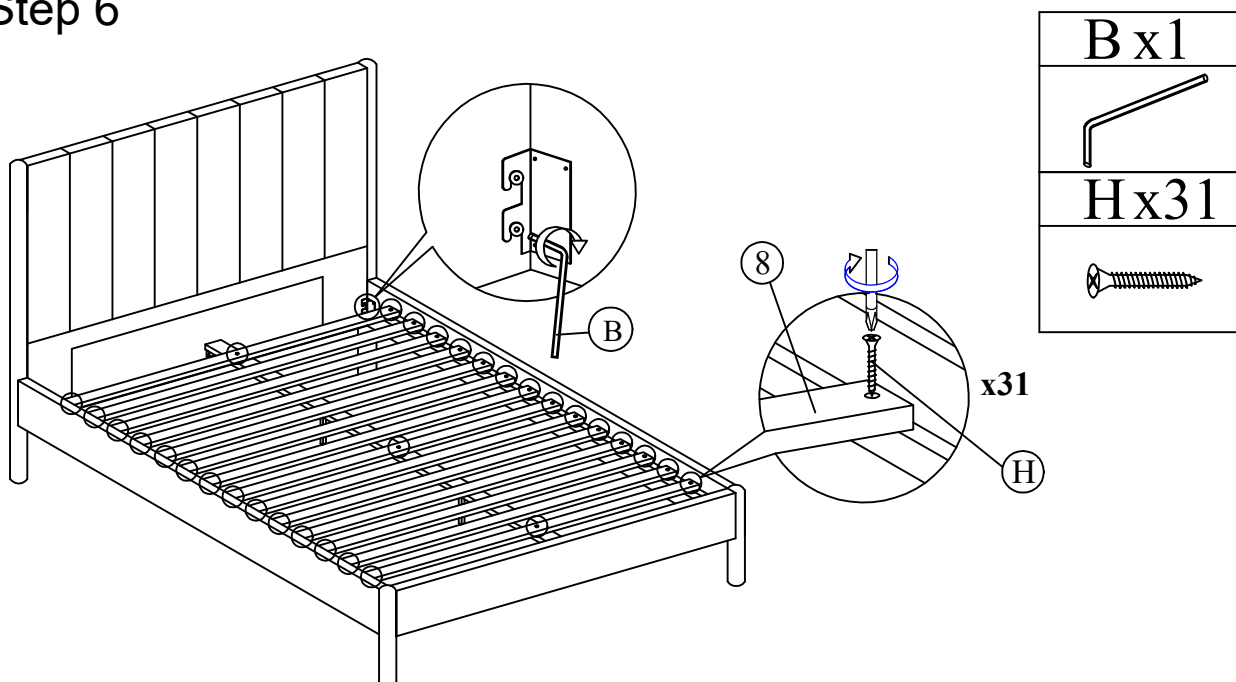
Product Name:	Vertical Rolls Upholstered Headboard with Rubberwood Legs Platform, Queen

Step 5



Slide the center rail (6) to the headboard (1) and footboard (2). Tighten screws (G) using a screwdriver (not included) to the headboard (1) and footboard (2).

Step 6



Affix the Slat (8) to the side rail support wood and the center rail (6). Tighten all the 4 corners.