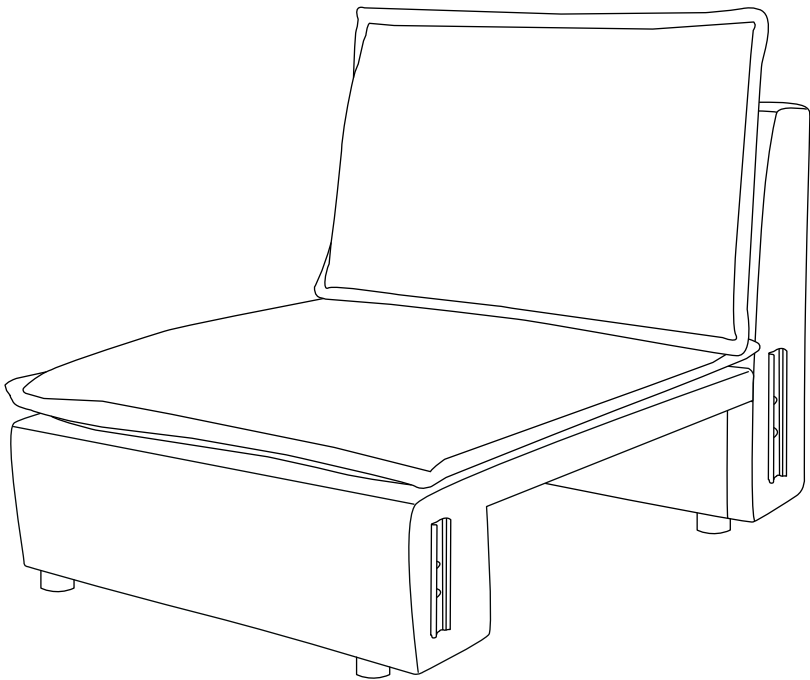


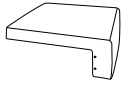
Assembly Guide

- (1) Read this manual carefully before assembly and please follow the steps.
- (2) Keep this manual for next time use.
- (3) Unzipper this armrest/backrest to find the hardware pack.





Ax1



Cx1



E1x4



E2x4



E3x4



Fx2



Gx8



Hx1



Ix1



Jx1



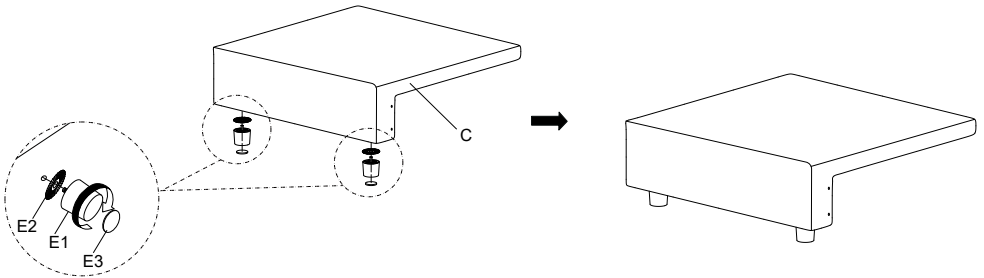
N1x2



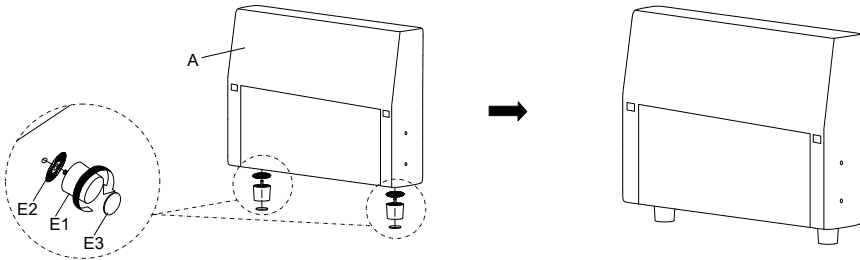
N2x2

(Note: N1 is slightly bigger than N2)

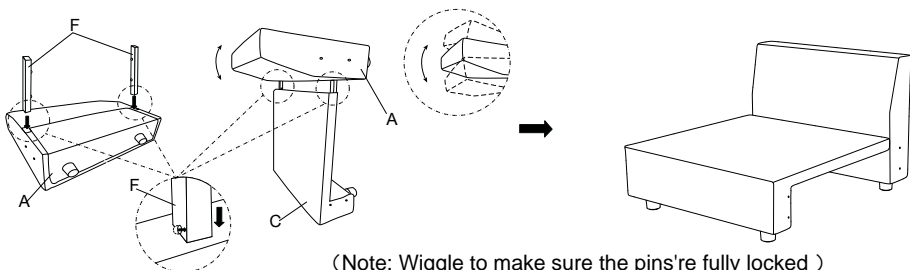
Step1: Assemble sofa feet on the seat frame with E1 , E1 and E3



Step2: Assemble sofa feet on the backrest with E1 , E1 and E3

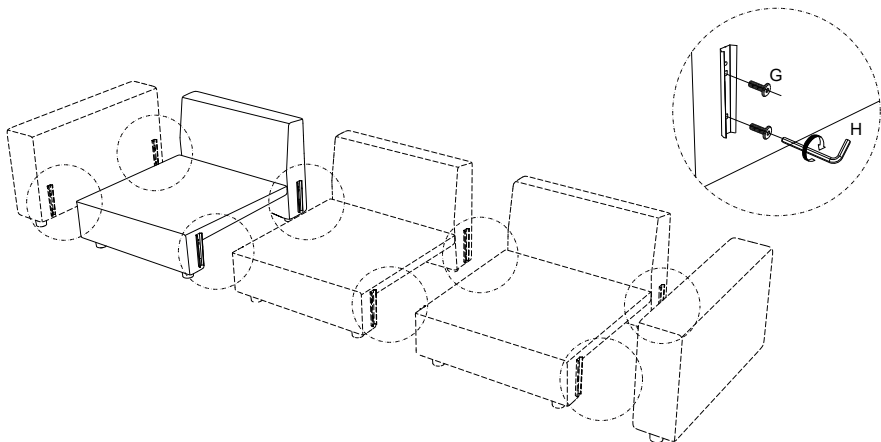


Step3: Attach seat frame with backrest(Pins on F should be facing inwards)

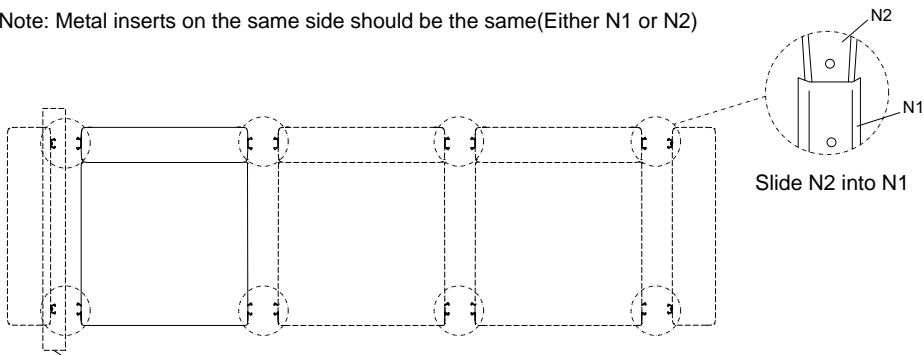


(Note: Wiggle to make sure the pins're fully locked)

Step4: Attach arms to the chair/chairs

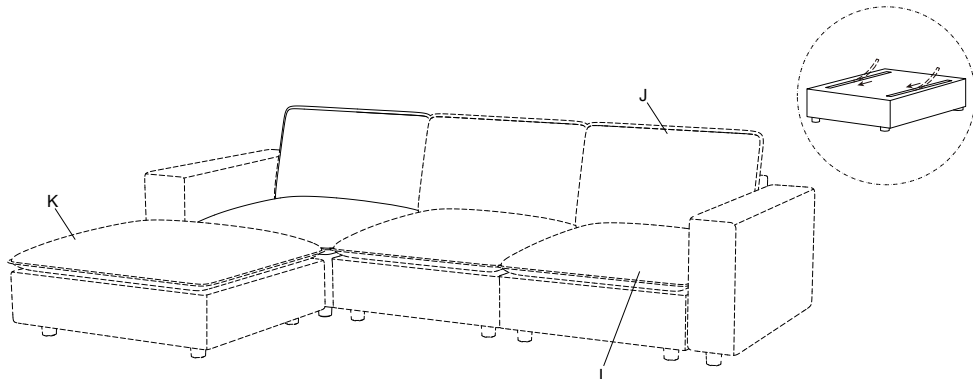


Note: Metal inserts on the same side should be the same (Either N1 or N2)



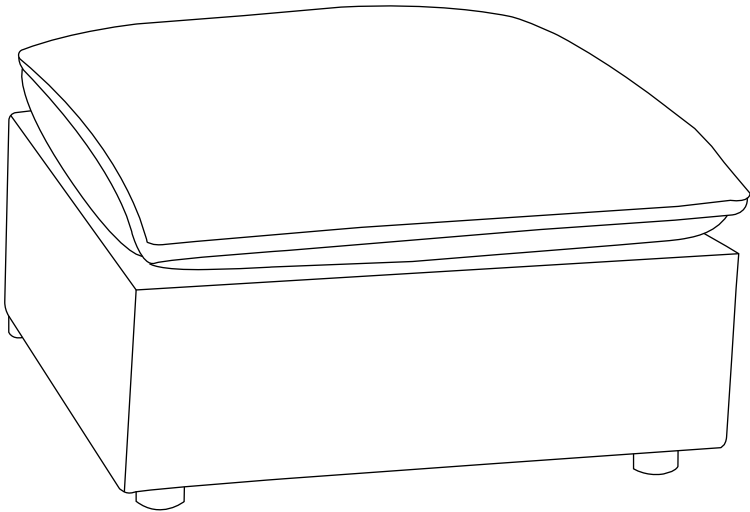
Note: Metal inserts on opposite sides should be N1 and N2

Step5: Remove the strap covers and attach seat cushions with velcro underneath



Assembly Guide

- (1) Read this manual carefully before assembly and please follow the steps.
- (2) Keep this manual for next time use.
- (3) Unzipper the bottom of the seat frame to find the hardware pack.





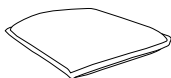
E1x4



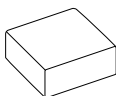
E2x4



E3x4

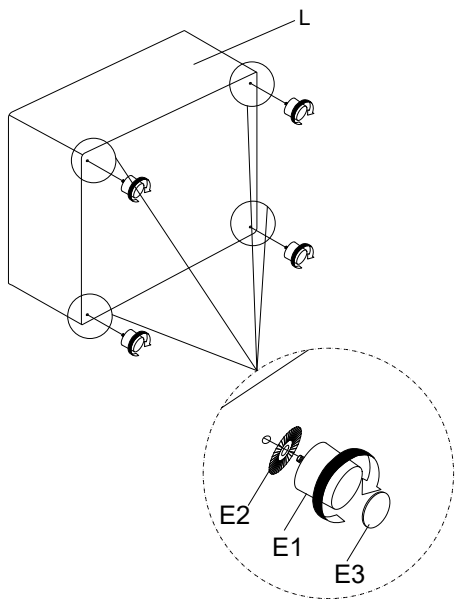


Kx1

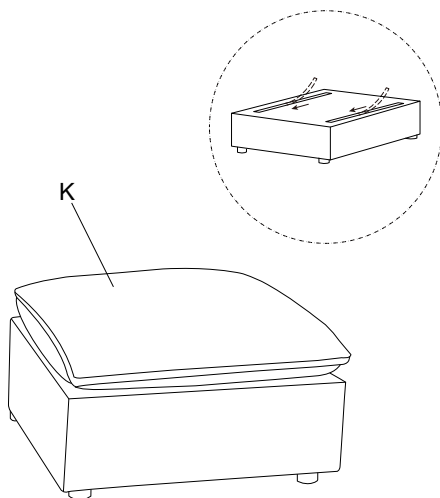


Lx1

Step1 : Assemble ottoman feet with E1, E2 and E3

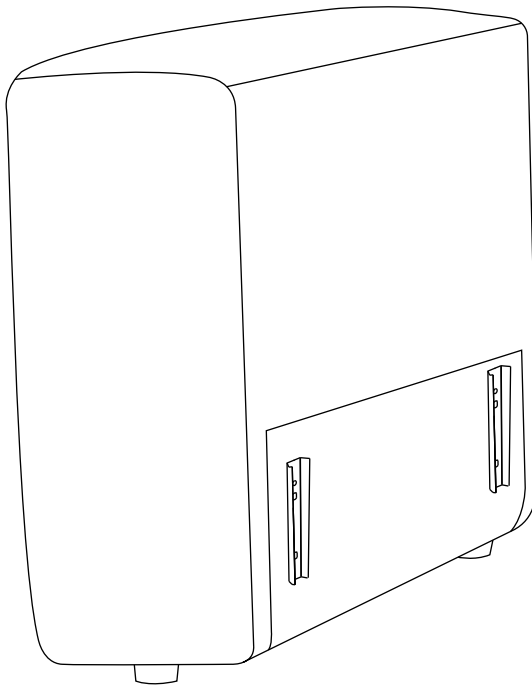


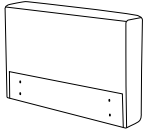
Step2: Remove the strap covers and attach seat cushions with velcro underneath



Assembly Guide

- (1) Read this manual carefully before assembly and please follow the steps.
- (2) Keep this manual for next time use.
- (3) Unzipper this armrest/backrest to find the hardware pack.





Bx2



E1x4



E2x4



E3x4



Gx8



Hx2



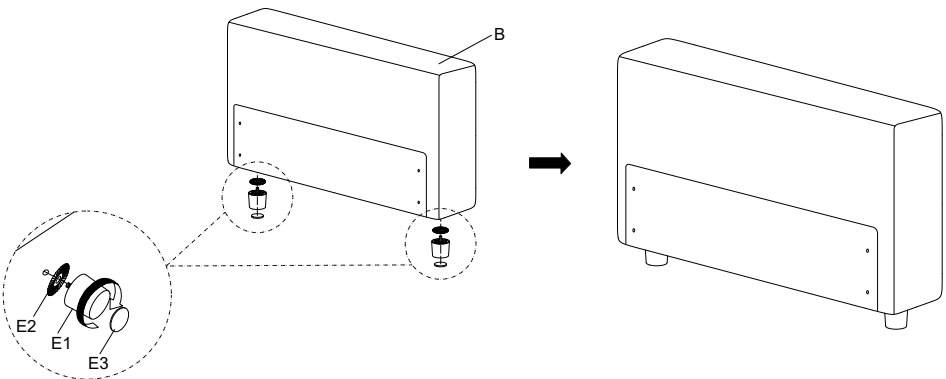
N1x4 (IF NEEDED)



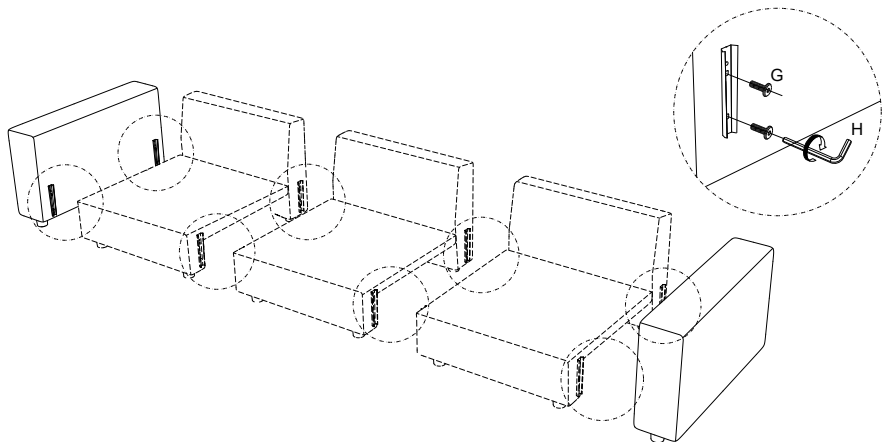
N2x4

(Note: N1 is slightly bigger than N2)

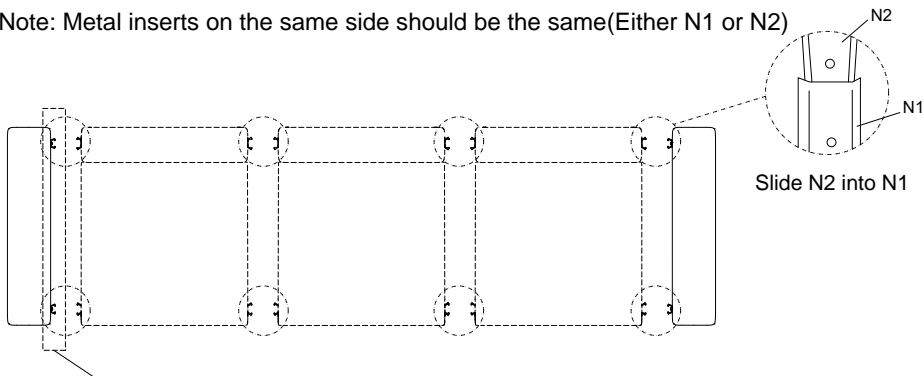
Step1: Assemble sofa feet with E1, E2 and E3



Step2: Attach arms to the chair/chairs



Note: Metal inserts on the same side should be the same (Either N1 or N2)



Note: Metal inserts on opposite sides should be N1 and N2

Step3: Remove the strap covers and attach seat cushions with velcro underneath

