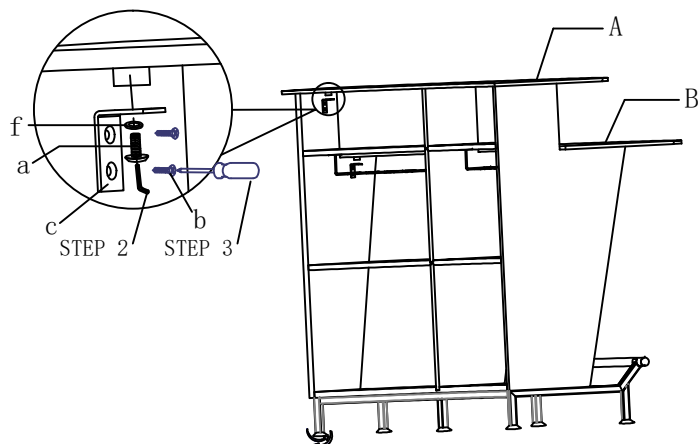
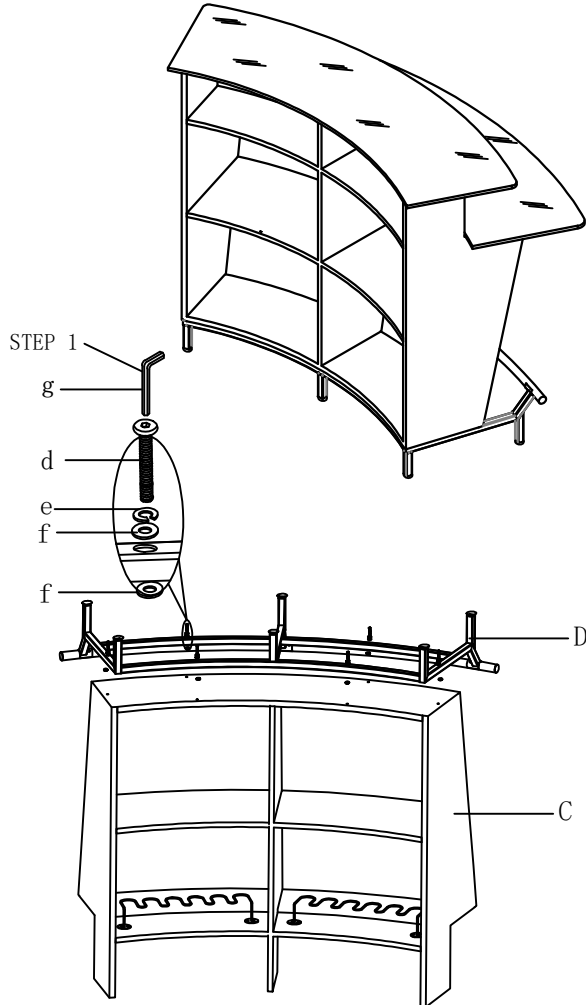


Assembly Instruction

Thank you for purchasing this quality product. Be sure to check all packaging material carefully for small parts that may have come loose inside the carton during shipment.



PLEASE ADJUST THE GLIDES IF THE CABINET IS NOT BALANCED WELL

PARTS LIST:

NO	DESCRIPTION	SKETCH	QTY
A	TOP GLASS		1PC
B	SHELF GLASS		1PC
C	CABINET		1PC
D	METAL BASE		1PC

HARDWARE LIST:

NO	DESCRIPTION	SKETCH	QTY
a	SCREW	 M6 × 10	4PCS
b	SCREW	 M4 × 16	8PCS
c	BRACKET		4PCS
d	SCREW	 M6 × 35	6PCS
e	SPRING WASHER	 φ 8 × φ 6	6PCS
f	WASHER	 φ 16 × φ 6	16PCS
g	ALLEN KEY	 4#	1PC