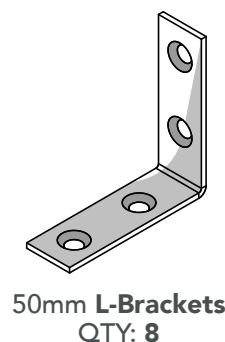
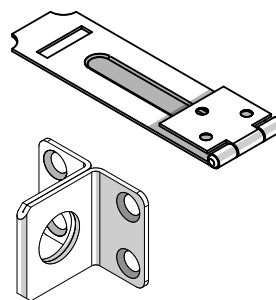
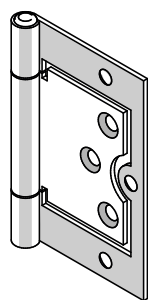
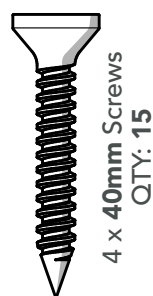
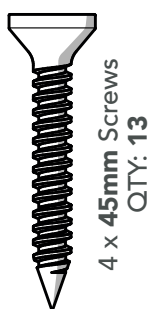


Thank you for purchasing your shed. No matter what size garden, a shed is the most practical of garden structures. Simply follow these step by step instructions and our top tips and you'll be enjoying your shed for many years to come. If you have any questions or need advice, our friendly team is here to help.

SHED INSTRUCTIONS

SMALL/MEDIUM SHEDS (4x3, 5x3, 6x3, 6x4, 7x5)

FIXING PACK CONTAINS:



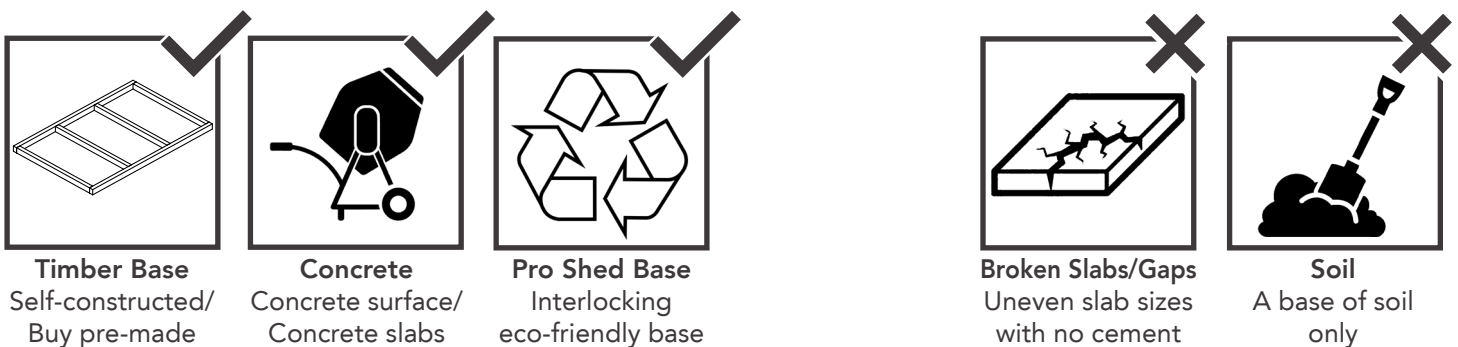
BEFORE YOU START

Please read through these instructions to familiarise yourself with your shed. We recommend that you **check all the components** using the lists found on the front and back pages before you start to build.

All of our sheds are constructed in the same way. They simply come with different components depending on the type of shed you have. Don't worry if your fixing pack contains some spare items at the end of the build (you haven't missed a bit!) we have sent you a generic fixing pack to suit the shed range.

BASE PREPARATION

It's vital that you build your new shed on a **solid, level base**. Timber or Plastic Shed Bases are ideal, as is solid concrete or concrete slabs.



If you have an existing base and think it's suitable for your new shed to be sited on, it is important you check that it is level and doesn't deviate by any more than 15mm from edge to edge. If this isn't the case the building will twist, causing gaps to appear in the sections and the roof, doors and windows to misalign.

TOOLS NEEDED

We recommend using the following tools (not supplied):



Assembly is relatively straightforward if you follow these step by step instructions. We recommend getting everything aligned properly before screwing together and that **screw holes should be pre-drilled** to avoid splitting the timber.



IMPORTANT
Assembly requires 2+ adults.



REMINDER
Always pre-drill before screwing.

PLEASE KEEP PLASTIC BAGS AND SMALL PARTS AWAY FROM CHILDREN

To help you get the most out of our products it's useful to know a little more about the properties of timber, what's normal and how your shed may behave as the seasons change. Wood is an extremely durable material for construction but as a natural product when used outdoors it is susceptible to changes in the environment.

THINGS THAT YOU MIGHT SEE IN YOUR PRODUCT



MOVEMENT, TWISTING & WARPING

Wood contains a natural level of moisture so decreasing humidity levels in the surrounding air may cause panels to change their shape as the porous fibres shrink. This can be exaggerated during prolonged periods of dry weather. Movement and gaps in timber products are normal, in most cases the wood will revert to its original form once the high temperatures subside and there is more moisture content in the air. Similarly, in the winter months, the opposite may occur with wood swelling.



EXPANSION, CONTRACTION, SPLITS & CRACKS

All timber will expand and contract according to its environment. As a result of this expansion and contraction, it is very common to see splits and cracks developing in the wood. Splits are common during the spring and summer months as the wood begins to dry out. The outer surface dries first and contracts, contracting over a still expanded core of the wood. The result of this is that splits and cracks appear along the grain of wood. These splits are not a fault and do not affect the structural integrity of a product.



MOULD & BLUE STAIN

Mould is a surface-dwelling fungus that feeds on the nutrients and debris contained in the surface cells of timber. The most common problems associated with mould are discoloured timber and an increase in permeability of the timber. Blue stain is part of the same family but penetrates deeper into the surface layers of the timber. It stains the timber a dark blue, whereas mould is usually black. These do not cause the timber to rot. Keep the building well ventilated to avoid mould.

Treat your building annually, we advise the application of a high quality preservative that contains a mildewcide.

ADVICE ON FELT HANDLING & USAGE

Roofing felt is flexible at temperatures above 5°C. In cold temperatures extra care must be taken when handling and installing to prevent cracking and damage to the felt. The felt should not be rolled, folded or used in temperatures lower than 5° C. In cold temperatures the felt should be stored above 10°C (indoors) for 24 hours prior to use. Felt must be lifted, not dragged and should be stored on its end on a dry surface.

THE ROOF OF THIS BUILDING IS NOT A LOAD BEARING STRUCTURE

8 TOP TIPS TO ENSURE YOUR SHED IS FULLY WATERPROOF

- 1 MAKE SURE YOU POSITION YOUR SHED IN THE BEST LOCATION IN YOUR GARDEN**
Avoid areas where water pools and is constantly wet. Position away from trees and cut back any overhanging foliage which can cause moisture to be trapped against shed walls and debris to collect on the roof.
- 2 RAISE YOUR SHED OFF THE GROUND**
Ideally any concrete base should be the same footprint as the shed to allow surface water to run off without pooling, a timber shed base can also be used. Raise 50mm above ground level.
- 3 SEAL THE BASE**
We recommend a treatment containing wax or oil, paint the bearers that come into contact with the ground to prevent moisture coming up.
- 4 USE AN END-GRAIN PROTECTOR**
To protect the corners and panel joints, an end grain treatment can be applied.
- 5 SEAL THE PANELS & WINDOWS**
Use a flexible silicone sealant around windows to prevent water ingress. This can also be used where 2 sections of the shed joint together. Apply internally.
- 6 CONSIDER ADDING GUTTERS**
Adding guttering around the fascia of the shed will redirect rain water away from the shed's foundation.
- 7 KEEP VENTILATED**
Good airflow around the perimeter of the shed and regular ventilation inside the shed will help prevent mould and mildew.
- 8 CONSIDER A WEATHERPROOFING STAIN OR CLEAR TREATMENT**
We recommend you paint your garden shed with a weatherproofing treatment at least once a year. This will help maintain the wood, stabilise timber movement and help prolong the life of your shed.



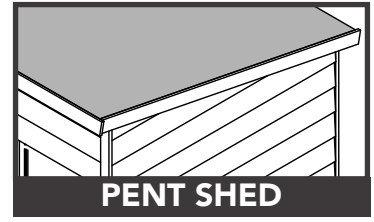
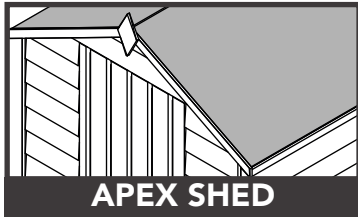
TREATED TIMBER CONTAINING A BIOCIDAL PRODUCT CONTROL OF WOOD DESTROYING ORGANISMS

Active Ingredients - Propiconazole, Tebuconazole, IPBC, Permethrine, Benzalkonium chloride. (Dip Treated Sheds)
Basic Copper Carbonate, DDA Carbonate, DDA Chloride (Pressure Treated Sheds)

Wear gloves when handling. Avoid inhalation of sawdust. Do not use in contact with drinking water or food. Do not use for animal bedding or in fish ponds. Dispose of treated wood responsibly.

From the **section layout** below, identify your shed based on the **width** and **depth** dimensions of your shed – eg 4x3. You'll need this to identify the side panel positions.

KEY



A 1ft Panel (295 x 1603mm)

B 1.5ft Panel (442 x 1603mm)

C 2ft Panel (590 x 1603mm)
(With & without windows)

D 3ft Panel (885 x 1603mm)
(With & without windows)

E 4ft Panel (1180 x 1603mm)
(With & without windows)

F 1ft Panel (295 x 1717mm)

G 3ft Panel (885 x 1717mm)

H 3ft Panel (885 x 1945mm)

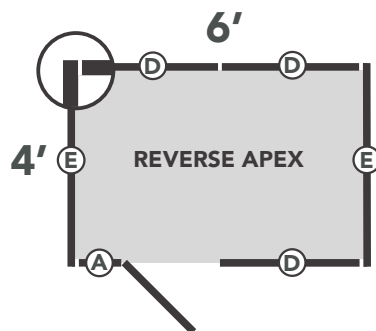
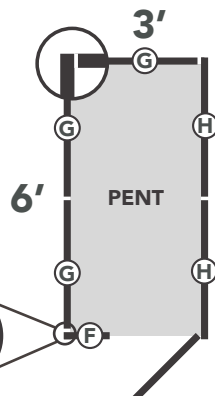
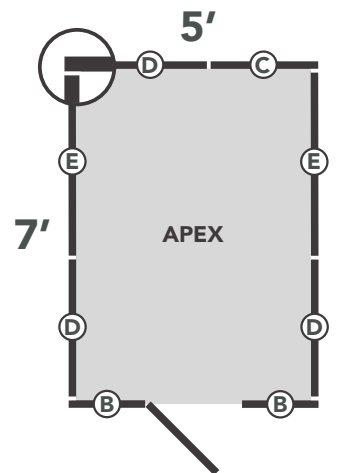
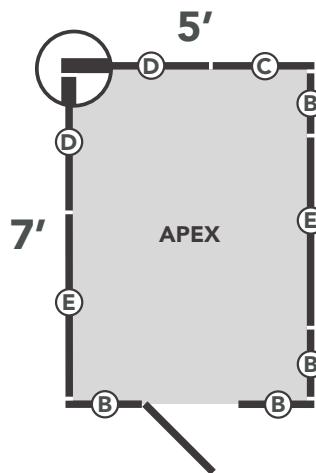
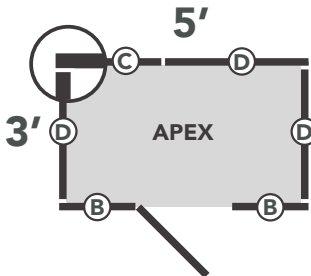
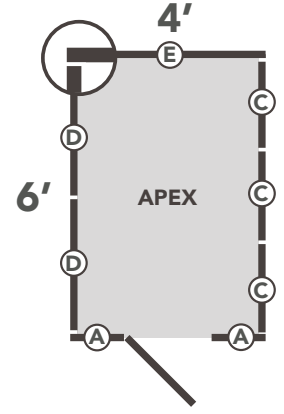
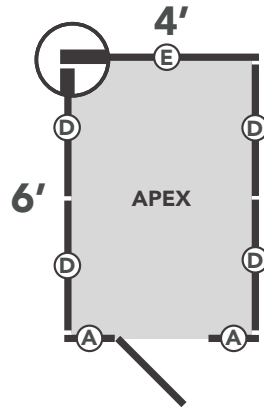
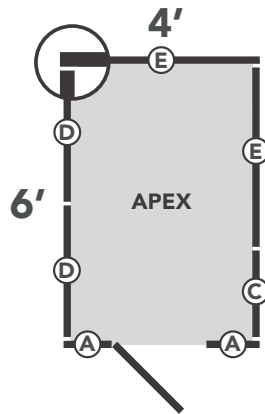
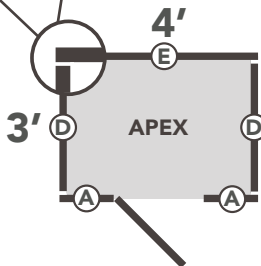
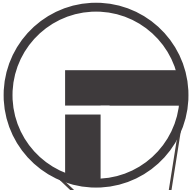
PLEASE NOTE

The sheds are made up of multiple sections where same size panels are interchangeable.

The door is flexible for all shed types and can be hinged onto either side.



Indicates the panel orientation during construction. This will apply to all of the corners for your chosen shed.



1 CONSTRUCTION

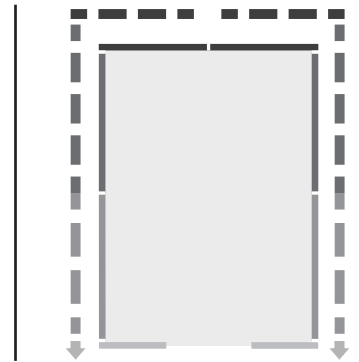
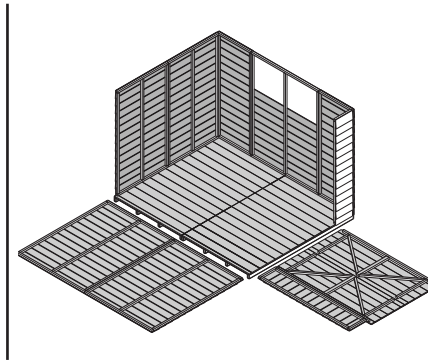
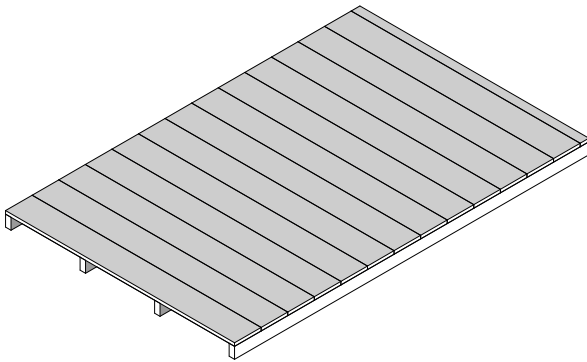
1a FLOORS & SIDES



Position the floor in your desired location.

Layout the panels around your shed base.

We recommend to start in a back corner then work from the back panels to the front panels for assembly.



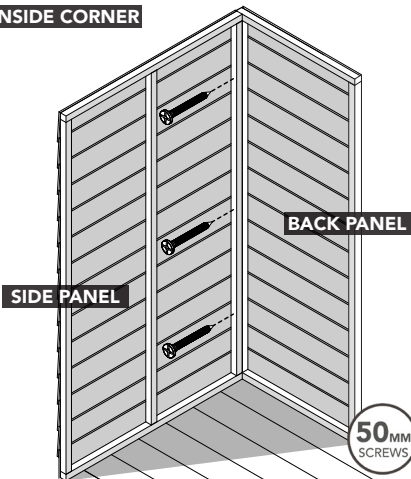
1b

Start at a back corner. See the section layout on page 4 to confirm position. Secure the corner as shown below.

Repeat the process for remaining panels and secure panels together. Make sure that the bottom frame of the wall panel rests on the outer edge of the floor.

Secure the panels into place by screwing into the floor. Screw the door batten down.

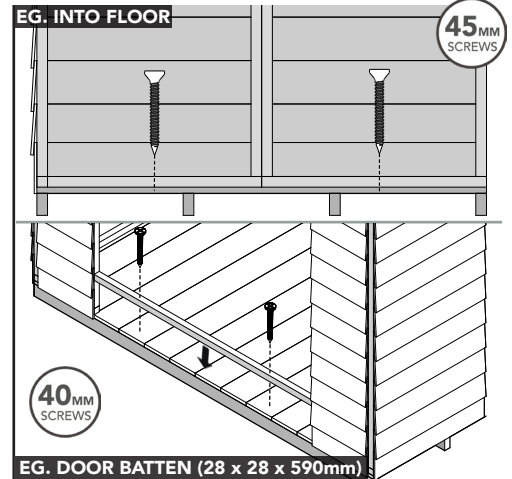
EG. INSIDE CORNER



EG. SIDES



EG. INTO FLOOR



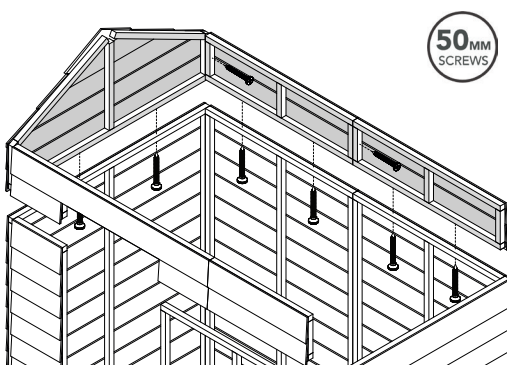
1c

Start with the Apex section and work around, screwing the additional panels. Finish with the other Apex section.

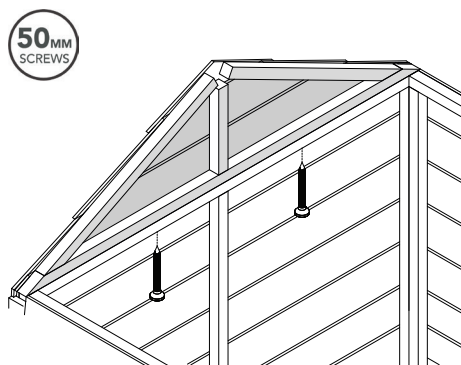
Attach the Apex section by screwing to the wall panel and repeat for the other Apex Section.

Attach the Triangular Pent Section by screwing to the wall panel. Also screw from the front panel into the Triangular Pent Section to keep it more secure. Repeat for the other Triangular Pent Section.

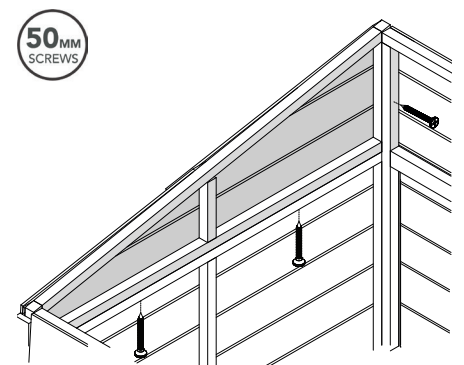
REVERSE APEX ROOF



APEX ROOF



PENT ROOF

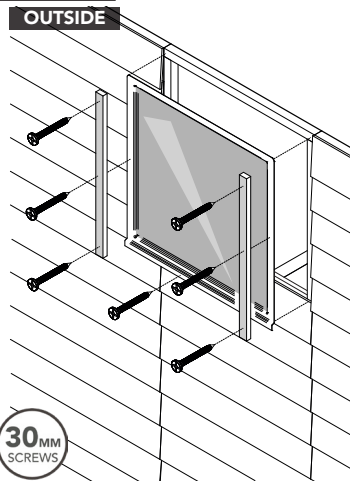
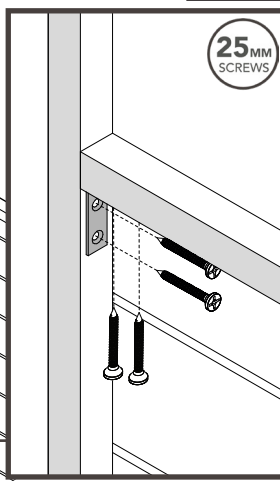
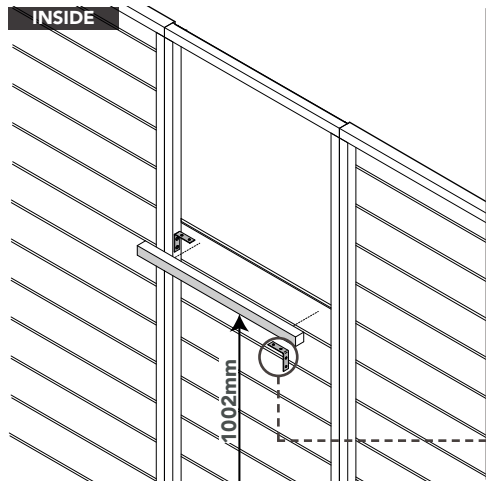


2 WINDOWS

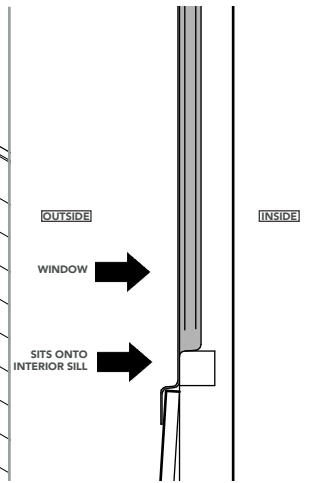
Fix interior sills at the base of windows with L-brackets and screws at a 1002mm distance from the floor. Repeat this for multiple windows, as shown below.

Secure windows by screwing through the window cover strips and window into the panel frame. Screw into the bottom of the window and into the interior sill to keep secure. Make sure the window is centralised for all window frames as shown below.

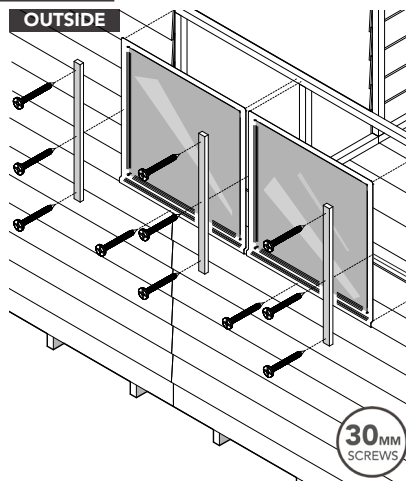
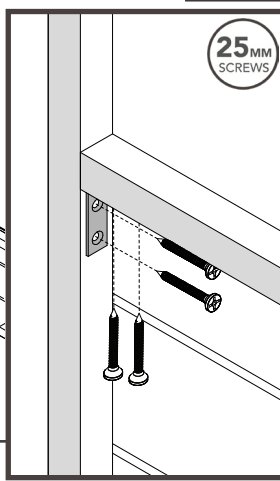
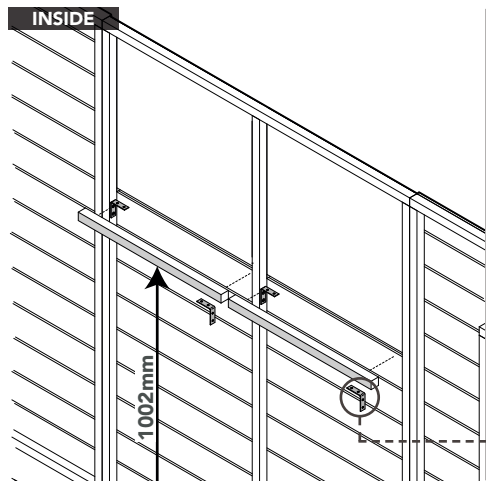
SINGLE WINDOW ASSEMBLY



WINDOW POSITIONING



DOUBLE WINDOW ASSEMBLY



Please take note on the window positioning shown above.

3 COVER AND DOOR STRIPS

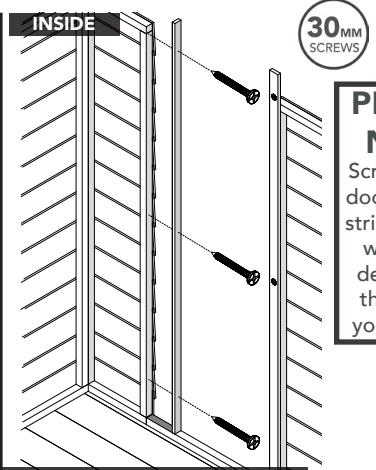
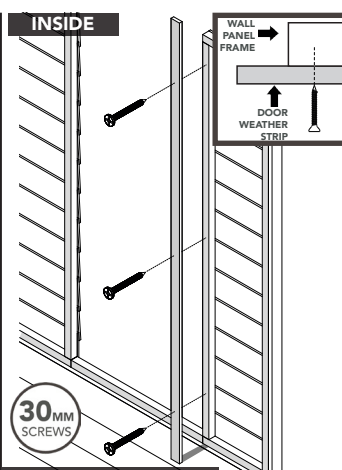
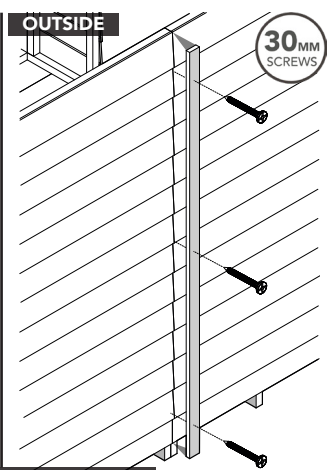
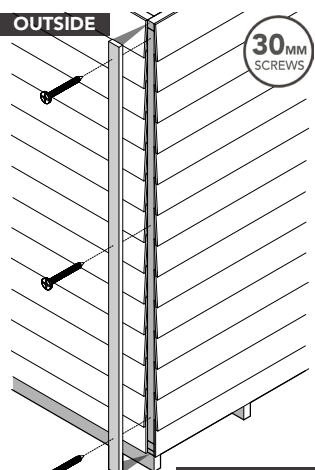


Attach the cover strips onto the corners. Ensuring they are flush to the bottom edge of the panels as shown below.

Attach the cover strips onto the adjoining panels. Ensuring it is flush to the bottom edge of the panels as shown below.

Secure the door weather strip onto the side you want the hinges, and ensure it's flush to the floor and against the face of the wall panel framing.

Attach the slamming strip onto the opposite side you want the hinges, onto the wall panel shown below.



PLEASE NOTE
Screwing the door weather strip onto the wall panel determines the side of your hinges.

COVER STRIPS(See pages 8-10 for measurement for chosen shed)

DOOR WEATHER STRIP (38 x 12 x 1710)

SLAMMING STRIP(28 x 12 x 1637)

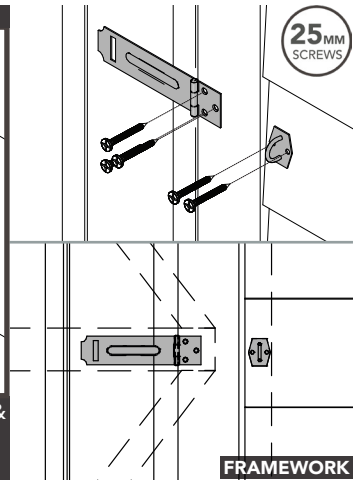
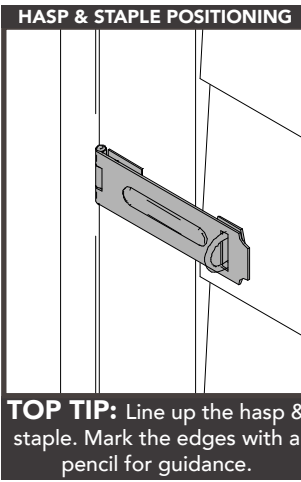
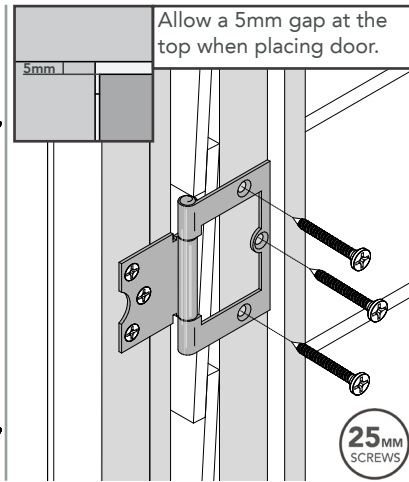
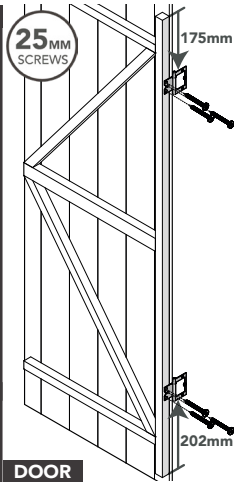
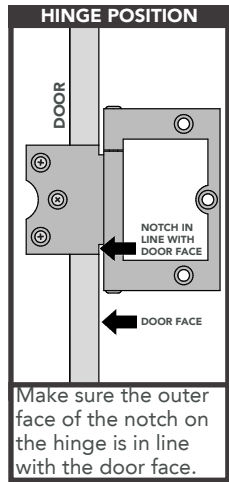
4 DOOR FIXINGS



Attach 2 hinges onto the door frame with the measurements provided. Please take note of the hinge position shown below.

Place the door into the opening, ensuring it's level. Make sure the hinges are up against the door weather strip face.

Fix the Hasp and Staple as shown. Ensure the screws go into the framework behind.



5 ROOF

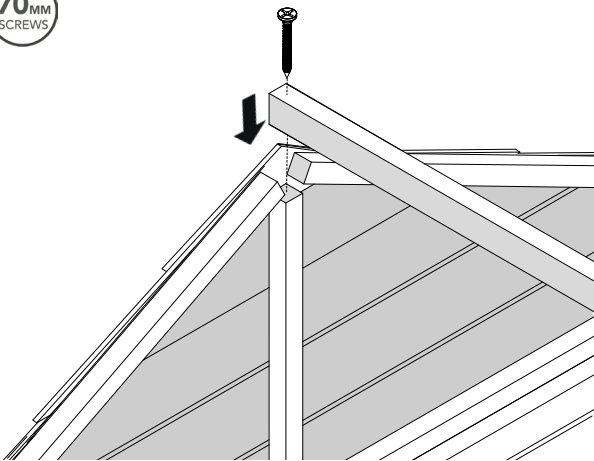


5a Secure the single ridge beam by screwing into the apex as shown. (The 6x3 does not have a single ridge beam and therefore this step will be skipped for this specific shed.)

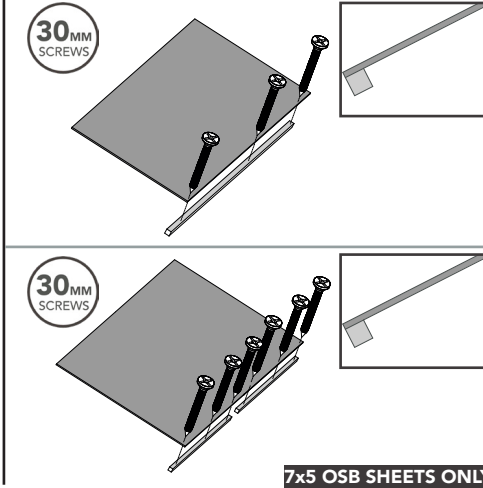
Before placing the OSB roof sheets onto the roof, screw the roof support strip(s) along the longest edge of both of the OSB sheets. Ensuring they are flush to the OSB roof sheet edges.

The 6x3 shed has one OSB roof sheet only, therefore apply both roof support strips to the one sheet as shown below.

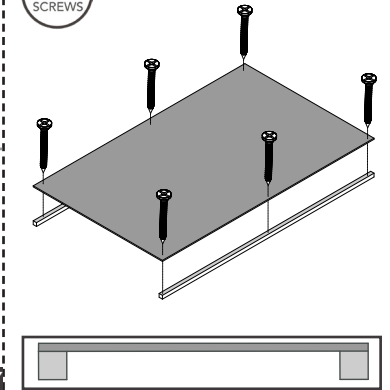
70MM SCREWS



30MM SCREWS



30MM SCREWS

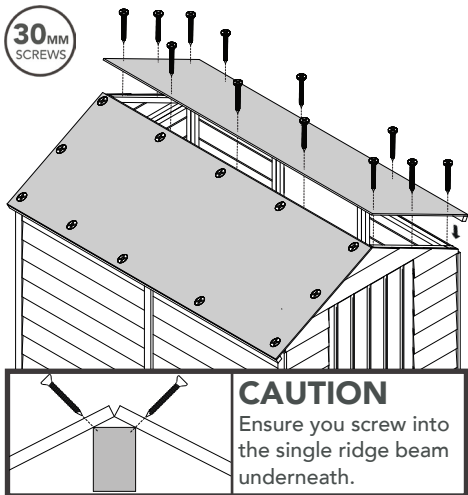


5b Screw the OSB roof sheets into position as shown below into the shed frame and beam. (The 6x3 will only have one OSB roof sheet to be screwed into the frame.)

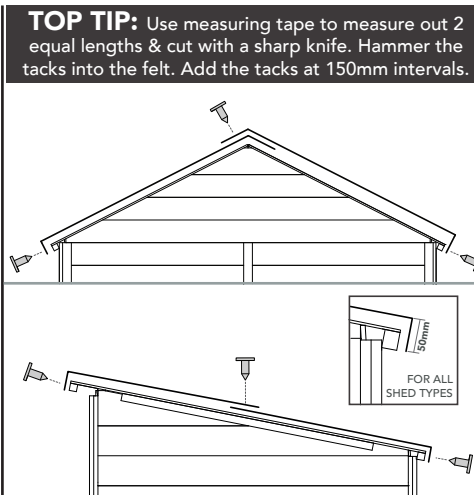
Measure out 2 equal lengths and overlap it on the top, around the edges and fold the corners; tack to keep secure. Ensure 50mm at the bottom and work from the bottom to the top.

Secure the fascias and the finial (apex only) with screws as shown below based on your chosen shed.

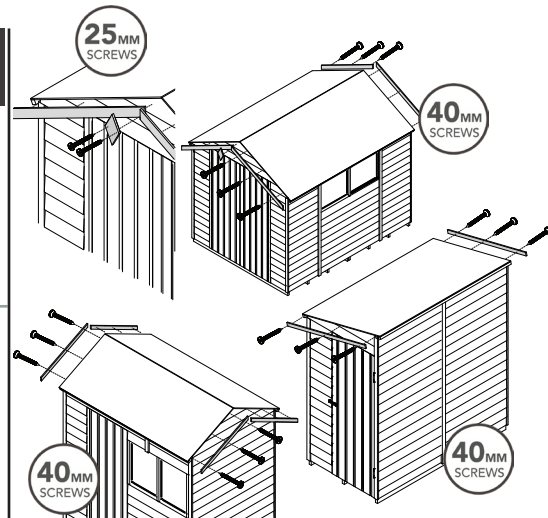
30MM SCREWS



CAUTION
Ensure you screw into the single ridge beam underneath.



25MM SCREWS



DIP TREATED APEX SHEDS

SELECT YOUR CHOSEN SHED & CHECK YOU HAVE ALL YOUR PARTS.

Overlap Apex 4' x 3' - No Windows (ODA43NWM)		
Part Code	Description	No.
ODM885PP	Section D - 3ft Panel (885 x 1603mm)	2
ODM295PP	Section A - 1ft Panel (295x 1603mm)	2
ODM1180PP	Section E - 4ft Panel (1180x1603mm)	1
ODAMPEA4	Apex Section - Back	1
ODAMDEA4	Apex Section - Door	1
MSDDR	Door	1
MSBFL43	Floor	1
2812163PDT	Slamming Strip (28x12x1637mm)	2
28280590DT	Door Batten (28x28x590mm)	2
28280973	Roof Support Strip (28x28x973mm)	1
38120770PAI#63DT	Fascia (38x12x770mm)	4
38121710PDT	Weather Strip (38x12x1710mm)	1
44161583DT	Cover Strip (44x16x1583mm)	1
45280941	Single Ridge Beam (45x28x941mm)	4
OSB9737428	OSB Sheet - Roof	1
FIN20010512DT	Finial	1
FELT26BL	Felt	1

Overlap Apex 6' x 4' - 1 Window (ODA46M)		
Part Code	Description	No.
ODM885PP	Section D - 3ft Panel (885 x 1603mm)	2
ODM590WP	Section C - 2ft Window Panel (590 x 1603mm)	1
ODM590PP	Section C - 2ft Panel (590 x 1603mm)	2
ODM295PP	Section A - 1ft Panel (295x 1603mm)	2
ODM1180PP	Section E - 4ft Panel (1180x1603mm)	1
ODAMPEA4	Apex Section - Back	1
ODAMDEA4	Apex Section - Door	1
MSDDR	Door	1
MSBFL46	Floor	1
2812163PDT	Slamming Strip (28x12x1637mm)	1
28160550DT	Window Cover Strip (28x16x550mm)	2
28280534DT	Interior Sill (28x28x534mm)	1
28280590DT	Door Batten (28x28x590mm)	1
28281858	Roof Support Strip (28x28x1858)	2
38120770PAI#63DT	Fascia (38x12x770mm)	4
38121710PDT	Weather Strip (38x12x1710mm)	1
44161583DT	Cover Strip (44x16x1583mm)	7
45281826	Single Ridge Beam (45x28x1826mm)	1
RPET590	Window	1
OSB18587428	OSB Sheet - Roof	2
FIN20010512DT	Finial	1
85052	Felt	1

Overlap Apex 6' x 4' - No Windows (ODA46NWM)		
Part Code	Description	No.
ODM885PP	Section D - 3ft Panel (885 x 1603mm)	4
ODM295PP	Section A - 1ft Panel (295x 1603mm)	2
ODM1180PP	Section E - 4ft Panel (1180x1603mm)	1
ODAMPEA4	Apex Section - Back	1
ODAMDEA4	Apex Section - Door	1
MSDDR	Door	1
MSBFL46	Floor	1
2812163PDT	Slamming Strip (28x12x1637mm)	1
28280590DT	Door Batten (28x28x590mm)	1
28281858	Roof Support Strip (28x28x1858)	2
38120770PAI#63DT	Fascia (38x12x770mm)	4
38121710PDT	Weather Strip (38x12x1710mm)	1
44161583DT	Cover Strip (44x16x1583mm)	6
45281826	Single Ridge Beam (45x28x1826mm)	1
OSB18587428	OSB Sheet - Roof	2
FIN20010512DT	Finial	1
85052	Felt	1

Overlap 6' x 4' - 1 Window (ODA461WM)		
Part Code	Description	No.
ODM885PP	Section D - 3ft Panel (885 x 1603mm)	2
ODM590WP	Section C - 2ft Window Panel (590 x 1603mm)	1
ODM295PP	Section A - 1ft Panel (295x 1603mm)	2
ODM1180PP	Section E - 4ft Panel (1180x1603mm)	2
ODAMPEA4	Apex Section - Back	1
ODAMDEA4	Apex Section - Door	1
MSDDR	Door	1
MSBFL46	Floor	1
2812163PDT	Slamming Strip (28x12x1637mm)	1
28160550DT	Window Cover Strip (28x16x550mm)	2
28280534DT	Interior Sill (28x28x534mm)	1
28280590DT	Door Batten (28x28x590mm)	1
28281858	Roof Support Strip (28x28x1858)	2
38120770PAI#63DT	Fascia (38x12x770mm)	4
38121710PDT	Weather Strip (38x12x1710mm)	1
44161583DT	Cover Strip (44x16x1583mm)	6
45281826	Single Ridge Beam (45x28x1826mm)	1
RPET590	Window	1
OSB18587428	OSB Sheet - Roof	2
FIN20010512DT	Finial	1
85052	Felt	1

Shiplap Apex 6' x 4' - 1 Window (SDA46M)		
Part Code	Description	No.
SDM885PP	Section D - 3ft Panel (885 x 1603mm)	2
SDM590WP	Section C - 2ft Window Panel (590 x 1603mm)	1
SDM590PP	Section C - 2ft Panel (590 x 1603mm)	2
SDM295PP	Section A - 1ft Panel (295x 1603mm)	2
SDM1180PP	Section E - 4ft Panel (1180x1603mm)	1
SDAMPEA4	Apex Section - Back	1
SDAMDEA4	Apex Section - Door	1
MSDDR	Door	1
MSBFL46	Floor	1
2812163PDT	Slamming Strip (28x12x1637mm)	1
28160550DT	Window Cover Strip (28x16x550mm)	2
2812163PDT	Slamming Strip (28x12x1637mm)	1
28280534DT	Interior Sill (28x28x534mm)	1
28280590DT	Door Batten (28x28x590mm)	2
28281858	Roof Support Strip (28x28x1858)	4
38120770PAI#63DT	Fascia (38x12x770mm)	1
38121710PDT	Weather Strip (38x12x1710mm)	6
40121583PDT	Cover Strip (40x12x1583mm)	1
45281826	Single Ridge Beam (45x28x1826mm)	1
RPET590	Window	2
OSB18587428	OSB Sheet - Roof	2
FIN20010512DT	Finial	1
85008	Felt	1

Overlap Apex 6' x 4' - 4 Windows (ODA464WMF)		
Part Code	Description	No.
ODM885WP	Section D - 3ft Window Panel (885 x 1603mm)	2
ODM885PP	Section C - 3ft Panel (885 x 1603mm)	2
ODM295PP	Section A - 1ft Panel (295x 1603mm)	2
ODM1180PP	Section E - 4ft Panel (1180x1603mm)	1
ODAMPEA4	Apex Section - Back	1
ODAMDEA4	Apex Section - Door	1
MSDDR	Door	1
MSBFL46	Floor	1
2812163PDT	Slamming Strip (28x12x1637mm)	1
28160550DT	Window Cover Strip (28x16x550mm)	6
28280400DT	Interior Sill (28x28x400mm)	4
28280590DT	Door Batten (28x28x590mm)	1
28281858	Roof Support Strip (28x28x1858)	2
38120770PAI#63DT	Fascia (38x12x770mm)	4
38121710PDT	Weather Strip (38x12x1710mm)	1
44161583DT	Cover Strip (44x16x1583mm)	6
45281826	Single Ridge Beam (45x28x1826mm)	1
RPET885	Window	4
OSB18587428	OSB Sheet - Roof	2
FIN20010512DT	Finial	1
85052	Felt	1

Overlap Apex 5' x 3' - No Windows (ODA53NWM)		
Part Code	Description	No.
ODM885PP	Section D - 3ft Panel (885 x 1603mm)	3
ODM590PP	Section C - 2ft Panel (590 x 1603mm)	1
ODM442PP	Section B - 1.5ft Panel (442 x 1603mm)	2
ODAMPEA5	Apex Section - Back	1
ODAMDEA5	Apex Section - Door	1
MSDDR	Door	1
MSBFL35	Floor	1
2812163PDT	Slamming Strip (28x12x1637mm)	1
28280590DT	Door Batten (28x28x590mm)	1
28280973	Roof Support Strip (28x28x973mm)	2
38120939PAI#63DT	Fascia (38x12x939mm)	4
38121710PDT	Weather Strip (38x12x1710mm)	1
44161583DT	Cover Strip (44x16x1583mm)	5
45280941	Single Ridge Beam (45x28x941mm)	1
OSB9739118	OSB Sheet - Roof	2
FIN20010512DT	Finial	1
85052	Felt	1

Overlap Apex 7' x 5' - 2 Windows (ODA57M)		
Part Code	Description	No.
ODM885PP	Section D - 3ft Panel (885 x 1603mm)	2
ODM590PP	Section C - 2ft Panel (590 x 1603mm)	1
ODM442PP	Section B - 1.5ft Panel (442 x 1603mm)	4
ODM1180WP	Section E - 4ft Window Panel (1180x1603mm)	1
ODM1180PP	Section E - 4ft Panel (1180x1603mm)	1
ODAMPEA5	Apex Section - Back	1
ODAMDEA5	Apex Section - Door	1
MSDDR	Door	1
MSBFL57	Floor	1
2812163PDT	Slamming Strip (28x12x1637mm)	1
28160550DT	Window Cover Strip (28x16x550mm)	3
28280548DT	Interior Sill (28x28x548mm)	2
28280590DT	Door Batten (28x28x590mm)	1
28281076	Roof Support Strip (28x28x1076mm)	4
38120939PAI#63DT	Fascia (38x12x939mm)	4
38121710PDT	Weather Strip (38x12x1710mm)	1
44161583DT	Cover Strip (44x16x1583mm)	8
45282121	Single Ridge Beam (45x28x2121mm)	1
RPET590	Window	2
OSB21539118	OSB Sheet - Roof	2
FIN20010512DT	Finial	1
85052	Felt	1

Overlap Apex 7' x 5' - No Windows (ODA57NWM)		
Part Code	Description	No.
ODM885PP	Section D - 3ft Panel (885 x 1603mm)	3
ODM590PP	Section C - 2ft Panel (590 x 1603mm)	1
ODM442PP	Section B - 1.5ft Panel (442 x 1603mm)	2
ODM1180PP	Section E - 4ft Panel (1180x1603mm)	2
ODAMPEA5	Apex Section - Back	1
ODAMDEA5	Apex Section - Door	1
MSDDR	Door	1
MSBFL57	Floor	1
2812163PDT	Slamming Strip (28x12x1637mm)	1
28280590DT	Door Batten (28x28x590mm)	1
28281076	Roof Support Strip (28x28x1076mm)	4
38120939PAI#63DT	Fascia (38x12x939mm)	4
38121710PDT	Weather Strip (38x12x1710mm)	1
44161583DT	Cover Strip (44x16x1583mm)	7
45282121	Single Ridge Beam (45x28x2121mm)	1
OSB21539118	OSB Sheet - Roof	2
FIN20010512DT	Finial	1
FELT78BL	Felt	1

Overlap Apex 7' x 5' - 2 Windows (ODA572WM)		
Part Code	Description	No.
ODM885PP	Section D - 3ft Panel (885 x 1603mm)	3
ODM590PP	Section C - 2ft Panel (590 x 1603mm)	1
ODM442PP	Section B - 1.5ft Panel (442 x 1603mm)	2
ODM1180WP	Section E - 4ft Window Panel (1180x1603mm)	1
ODM1180PP	Section E - 4ft Panel (1180x1603mm)	1
ODAMPEA5	Apex Section - Back	1
ODAMDEA5	Apex Section - Door	1
MSDDR	Door	1
MSBFL57	Floor	1
2812163PDT	Slamming Strip (28x12x1637mm)	1
28160550DT	Window Cover Strip (28x16x550mm)	3
28280548DT	Interior Sill (28x28x548mm)	2
28280590DT	Door Batten (28x28x590mm)	1
28281076	Roof Support Strip (28x28x1076mm)	4
38120939PAI#63DT	Fascia (38x12x939mm)	4
38121710PDT	Weather Strip (38x12x1710mm)	1
44161583DT	Cover Strip (44x16x1583mm)	7
45282121	Single Ridge Beam (45x28x2121mm)	1
OSB21539118	OSB Sheet - Roof	2
FIN20010512DT	Finial	1
FELT78BL	Felt	1

(The parts do not have codes on them. They are listed above should you need to order one.)

PRESSURE TREATED APEX SHEDS

SELECT YOUR CHOSEN SHED & CHECK YOU HAVE ALL YOUR PARTS.

Overlap Apex 4' x 3' - No Windows (OPA43NWM)		
Part Code	Description	No.
OPM885PP	Section D - 3ft Panel (885 x 1603mm)	2
OPM295PP	Section A - 1ft Panel (295x 1603mm)	2
OPM1180PP	Section E - 4ft Panel (1180x1603mm)	1
OPAMPEA4	Apex Section - Back	1
OPAMDEA4	Apex Section - Door	1
MSPDR	Door	1
MSBFL43	Floor	1
28121637PPT	Slamming Strip (28x12x1637mm)	1
28280590PT	Door Batten (28x28x590mm)	1
28280973	Roof Support Strip (28x28x973mm)	2
38120770PAI63PT	Fascia (38x12x770mm)	4
38121710PPT	Weather Strip (38x12x1710mm)	1
44161583PT	Cover Strip (44x16x1583mm)	4
45280941	Single Ridge Beam (45x28x941mm)	1
OSB9737428	OSB Sheet - Roof	2
FIN20010512PT	Finial	1
FELT76BL	Felt	1

Overlap Apex 6' x 4' - 1 Window (OPA46M)		
Part Code	Description	No.
OPM885PP	Section D - 3ft Panel (885 x 1603mm)	2
OPM590WP	Section C - 2ft Window Panel (590 x 1603mm)	1
OPM590PP	Section C - 2ft Panel (590 x 1603mm)	2
OPM295PP	Section A - 1ft Panel (295x 1603mm)	2
OPM1180PP	Section E - 4ft Panel (1180x1603mm)	1
OPAMPEA4	Apex Section - Back	1
OPAMDEA4	Apex Section - Door	1
MSPDR	Door	1
MSBFL46	Floor	1
MSPDR	Door	1
MSBFL46	Floor	1
28121637PPT	Slamming Strip (28x12x1637mm)	1
28160550PT	Window Cover Strip (28x16x550mm)	2
28280534PT	Interior Sill (28x28x534mm)	1
28280590PT	Door Batten (28x28x590mm)	1
28281858	Roof Support Strip (28x28x1858)	2
38120770PAI63PT	Fascia (38x12x770mm)	4
38121710PPT	Weather Strip (38x12x1710mm)	1
44161583PT	Cover Strip (44x16x1583mm)	7
45281826	Single Ridge Beam (45x28x1826mm)	1
RPET590	Window	1
OSB18587428	OSB Sheet - Roof	2
FIN20010512PT	Finial	1
85052	Felt	1

Overlap Apex 6' x 4' - No Windows (OPA46NWM)		
Part Code	Description	No.
OPM885PP	Section D - 3ft Panel (885 x 1603mm)	4
OPM295PP	Section A - 1ft Panel (295x 1603mm)	2
OPM1180PP	Section E - 4ft Panel (1180x1603mm)	1
OPAMPEA4	Apex Section - Back	1
OPAMDEA4	Apex Section - Door	1
MSPDR	Door	1
MSBFL46	Floor	1
28121637PPT	Slamming Strip (28x12x1637mm)	1
28280590PT	Door Batten (28x28x590mm)	1
28281858	Roof Support Strip (28x28x1858)	2
38120770PAI63PT	Fascia (38x12x770mm)	4
38121710PPT	Weather Strip (38x12x1710mm)	1
44161583PT	Cover Strip (44x16x1583mm)	6
45281826	Single Ridge Beam (45x28x1826mm)	1
OSB18587428	OSB Sheet - Roof	2
FIN20010512PT	Finial	1
85052	Felt	1

Overlap 6' x 4' - 1 Window (OPA461WM)		
Part Code	Description	No.
OPM885PP	Section D - 3ft Panel (885 x 1603mm)	2
OPM590WP	Section C - 2ft Window Panel (590 x 1603mm)	1
OPM295PP	Section A - 1ft Panel (295x 1603mm)	2
OPM1180PP	Section E - 4ft Panel (1180x1603mm)	2
OPAMPEA4	Apex Section - Back	1
OPAMDEA4	Apex Section - Door	1
MSPDR	Door	1
MSBFL46	Floor	1
MSBFL46	Floor	1
28121637PPT	Slamming Strip (28x12x1637mm)	1
28160550PT	Window Cover Strip (28x16x550mm)	2
28280534PT	Interior Sill (28x28x534mm)	1
28280590PT	Door Batten (28x28x590mm)	1
28281858	Roof Support Strip (28x28x1858)	2
38120770PAI63PT	Fascia (38x12x770mm)	4
38121710PPT	Weather Strip (38x12x1710mm)	1
44161583PT	Cover Strip (44x16x1583mm)	6
45281826	Single Ridge Beam (45x28x1826mm)	1
RPET590	Window	1
OSB18587428	OSB Sheet - Roof	2
FIN20010512PT	Finial	1
85052	Felt	1

Overlap Apex 7' x 5' - 2 Windows (OPA572WM)		
Part Code	Description	No.
OPM885PP	Section D - 3ft Panel (885 x 1603mm)	3
OPM590PP	Section C - 2ft Panel (590 x 1603mm)	1
OPM442PP	Section B - 1.5ft Panel (442 x 1603mm)	2
OPM1180WP	Section E - 4ft Window Panel (1180x1603mm)	1
OPM1180PP	Section E - 4ft Panel (1180x1603mm)	1
OPAMPEA5	Apex Section - Back	1
OPAMDEA5	Apex Section - Door	1
MSPDR	Door	1
MSPDR	Door	1
MSBFL57	Floor	1
MSBFL57	Floor	1
28121637PPT	Slamming Strip (28x12x1637mm)	1
28160550PT	Window Cover Strip (28x16x550mm)	3
28280548PT	Interior Sill (28x28x548mm)	2
28280590PT	Door Batten (28x28x590mm)	1
28281076	Roof Support Strip (28x28x1076mm)	4
38120939PAI63PT	Fascia (38x12x939mm)	4
38121710PPT	Weather Strip (38x12x1710mm)	1
44161583PT	Cover Strip (44x16x1583mm)	7
45282121	Single Ridge Beam (45x28x2121mm)	1
RPET590	Window	2
OSB21539118	OSB Sheet - Roof	2
FIN20010512PT	Finial	1
FELT78BL	Felt	1

Overlap Apex 6' x 4' - 4 Windows (OPA464WMF)		
Part Code	Description	No.
OPM885WP	Section D - 3ft Panel (885 x 1603mm)	2
OPM885PP	Section D - 3ft Panel (885 x 1603mm)	2
OPM295PP	Section A - 1ft Panel (295x 1603mm)	2
OPM1180PP	Section E - 4ft Panel (1180x1603mm)	1
OPAMPEA4	Apex Section - Back	1
OPAMDEA4	Apex Section - Door	1
MSPDR	Door	1
MSBFL46	Floor	1
28121637PPT	Slamming Strip (28x12x1637mm)	1
28160550PT	Window Cover Strip (28x16x550mm)	6
28280400PT	Interior Sill (28x28x400mm)	4
28280590PT	Door Batten (28x28x590mm)	1
38121710PPT	Weather Strip (38x12x1710mm)	1
38120770PAI63PT	Fascia (38x12x770mm)	4
44161583PT	Cover Strip (44x16x1583mm)	6
45281826	Single Ridge Beam (45x28x1826mm)	1
28281858	Roof Support Strip (28x28x1858)	2
RPET885	Window	4
OSB18587428	OSB Sheet - Roof	2
FIN20010512PT	Finial	1
85052	Felt	1

Overlap Apex 5' x 3' - No Windows (OPA53NWM)		
Part Code	Description	No.
OPM885PP	Section D - 3ft Panel (885 x 1603mm)	3
OPM590PP	Section C - 2ft Panel (590 x 1603mm)	1
OPM442PP	Section B - 1.5ft Panel (442 x 1603mm)	2
OPAMPEA5	Apex Section - Back	1
OPAMDEA5	Apex Section - Door	1
MSPDR	Door	1
MSBFL35	Floor	1
28121637PPT	Slamming Strip (28x12x1637mm)	1
28280590PT	Door Batten (28x28x590mm)	1
28280973	Roof Support Strip (28x28x973mm)	2
38120939PAI63PT	Fascia (38x12x939mm)	4
38121710PPT	Weather Strip (38x12x1710mm)	1
44161583PT	Cover Strip (44x16x1583mm)	5
45280941	Single Ridge Beam	1
OSB9739118	OSB Sheet - Roof	2
FIN20010512PT	Finial	1
85052	Felt	1

Overlap Apex 7' x 5' - 2 Windows (OPA57M)		
Part Code	Description	No.
OPM885PP	Section D - 3ft Panel (885 x 1603mm)	2
OPM590PP	Section C - 2ft Panel (590 x 1603mm)	1
OPM442PP	Section B - 1.5ft Panel (442 x 1603mm)	4
OPM1180WP	Section E - 4ft Window Panel (1180x1603mm)	1
OPM1180PP	Section E - 4ft Panel (1180x1603mm)	1
OPAMPEA5	Apex Section - Back	1
OPAMDEA5	Apex Section - Door	1
MSPDR	Door	1
MSBFL57	Floor	1
MSBFL57	Floor	1
28121637PPT	Slamming Strip (28x12x1637mm)	1
28160550PT	Window Cover Strip (28x16x550mm)	3
28280548PT	Interior Sill (28x28x548mm)	2
28280590PT	Door Batten (28x28x590mm)	1
28281076	Roof Support Strip	4
38120939PAI63PT	Fascia (38x12x939mm)	4
38121710PPT	Weather Strip (38x12x1710mm)	1
44161583PT	Cover Strip (44x16x1583mm)	8
45282121	Single Ridge Beam (45x28x2121mm)	1
RPET590	Window	2
OSB21539118	OSB Sheet - Roof	2
FIN20010512PT	Finial	1
FELT78BL	Felt	1

Overlap Apex 7' x 5' - No Windows (OPA57NWM)		
Part Code	Description	No.
OPM885PP	Section D - 3ft Panel (885 x 1603mm)	3
OPM590PP	Section C - 2ft Panel (590 x 1603mm)	1
OPM442PP	Section B - 1.5ft Panel (442 x 1603mm)	2
OPM1180PP	Section E - 4ft Panel (1180x1603mm)	2
OPAMPEA5	Apex Section - Back	1
OPAMDEA5	Apex Section - Door	1
MSPDR	Door	1
MSBFL57	Floor	1
MSBFL57	Floor	1
28121637PPT	Slamming Strip (28x12x1637mm)	1
28280590PT	Door Batten (28x28x590mm)	1
28281076	Roof Support Strip (28x28x1076mm)	4
38120939PAI63PT	Fascia (38x12x939mm)	4
38121710PPT	Weather Strip (38x12x1710mm)	1
44161583PT	Cover Strip (44x16x1583mm)	7
45282121	Single Ridge Beam (45x28x2121mm)	1
OSB21539118	OSB Sheet - Roof	2
FIN20010512PT	Finial	1
FELT78BL	Felt	1

(The parts do not have codes on them. They are listed above should you need to order one.)

PENT & REVERSE APEX TREATED SHEDS

SELECT YOUR CHOSEN SHED & CHECK YOU HAVE ALL YOUR PARTS.

Pressure Treated Overlap Reverse Apex 4' x 6' (OPR64M)			Dip Treated Overlap Reverse Apex 4' x 6' (ODR64M)			Overlap Pent 6' x 3' (OPP63M)		
Part Code	Description	No.	Part Code	Description	No.	Part Code	Description	No.
OPRAMPEA4	Apex Section	2	ODRAMPEA4	Apex Section	2	OPPMRHA3	3ft triangular pent section - Right Hand	1
OPM885WP	Section D - 3ft Panel (885 x 1603)	1	ODM885WP	Section D - 3ft Panel (885 x 1603)	1	OPPLMHA3	3ft triangular pent section - Left Hand	1
OPM885SP	Section D - 3ft Panel (885 x 1603mm)	2	ODM885SP	Section D - 3ft Panel (885 x 1603mm)	2	OPPM885BP	Section G - 3ft pent back panel (885 x 1717mm)	3
OPM885PIFP	3ft extension - back panel	2	ODM885PIFP	3ft extension - back panel	2	OPPM295BP	Section F - 1ft pent back panel (295 x 1717mm)	1
OPM590PIFP	2ft extension - front panel	1	ODM590PIFP	2ft extension - front panel	1	OPM885TPP	Section H - 3ft panel (885 x 1945mm)	2
OPM285PP	Section A - 1ft Panel (295x 1603mm)	1	ODM285PP	Section A - 1ft Panel (295x 1603mm)	1	MSPDR	Door	1
OPM1180PP	Section E - 4ft Panel (1180x1603mm)	2	ODM1180PP	Section E - 4ft Panel (1180x1603mm)	2	MSBFL36	Floor	1
OPM1180DIFP	4ft extension - front door panel	1	ODM1180DIFP	4ft extension - front door panel	1	28121637PPT	Slamming Strip (28x12x1637mm)	1
MSPDR	Door	1	MSSDR	Door	1	28280590PT	Door Batten (28x28x590mm)	1
MSBFL46	Floor	1	MSBFL46	Floor	1	28281802	Roof Support Strip (28x28x1802mm)	2
28121637PPT	Slamming Strip (28x12x1637mm)	1	28121637PDT	Slamming Strip (28x12x1637mm)	1	38121110PPT	Fascia (38x12x1110mm)	2
28160550PT	Window Cover Strip (28x16x550mm)	3	38121710PDT	Weather Strip (38x12x1710mm)	1	38121710PPT	Weather Strip (38x12x1710mm)	1
28280400PT	Interior Sill (28x28x400mm)	2	28160550DT	Window Cover Strip (28x16x550mm)	3	44161695PT	Cover Strip (44x16x1695mm)	3
28280590PT	Door Batten (28x28x590mm)	1	28280400DT	Interior Sill (28x28x400mm)	2	44161925PT	Cover Strip (44x16x1925mm)	3
28281858	Roof Support Strip (28x28x1858)	2	28280590DT	Door Batten (28x28x590mm)	1	OSB18587428	OSB Sheet - Roof	1
38121710PPT	Weather Strip (38x12x1710mm)	1	28281858	Roof Support Strip (28x28x1858)	2	85052	Felt	1
38120770PAH63PT	Fascia (38x12x770mm)	4	38120770PAH63DT	Fascia (38x12x770mm)	4			
44160230PT	Cover Strip (44x16x230mm)	1	44160230DT	Cover Strip (44x16x230mm)	1			
44161810PT	Cover Strip (44x16x1810mm)	5	44161810DT	Cover Strip (44x16x1810mm)	5			
45281826	Single Ridge Beam (45x28x1826mm)	1	45281826	Single Ridge Beam (45x28x1826mm)	1			
RPET885	Window	2	RPET885	Window	2			
OSB18587428	OSB Sheet - Roof	2	OSB18587428	OSB Sheet - Roof	2			
85052	Felt	1	85052	Felt	1			

(The parts do not have codes on them. They are listed above should you need to order one.)