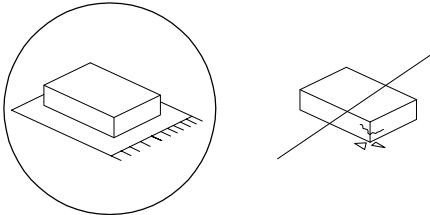
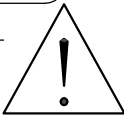
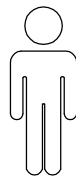
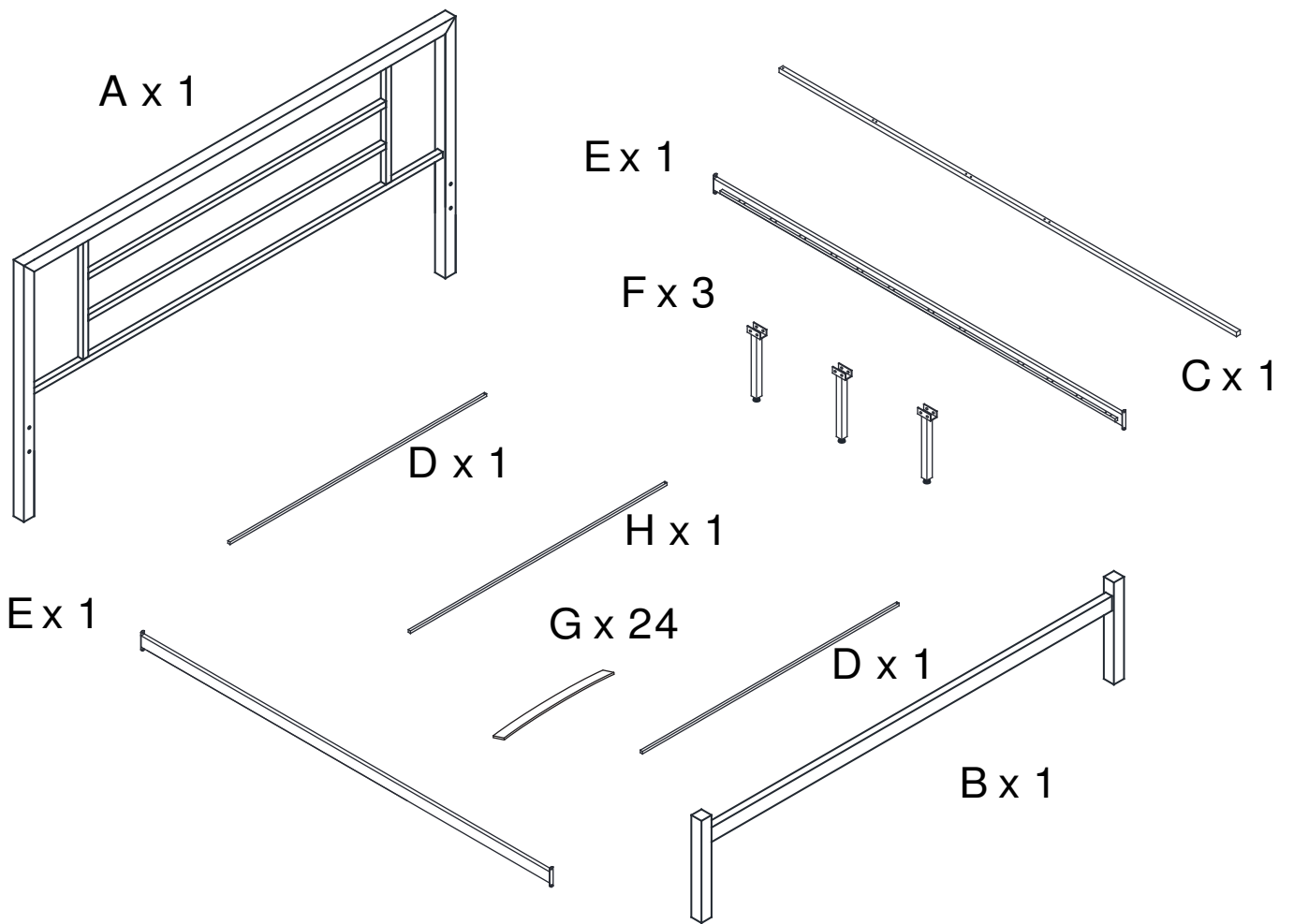
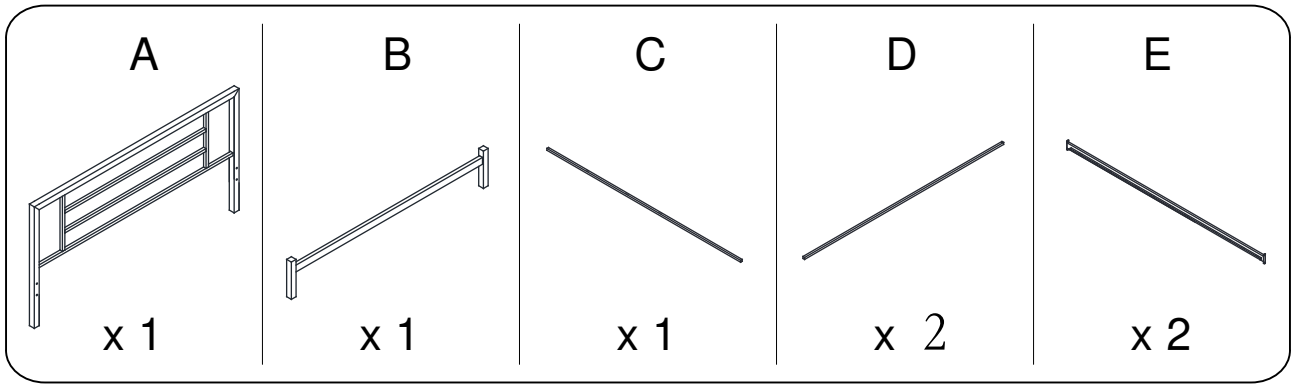
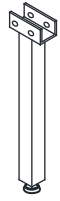

		45'
		
		2

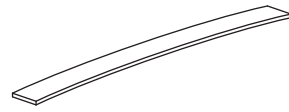


F



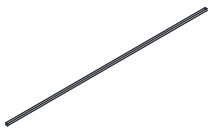
x 3

G



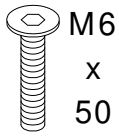
x 24

H



x 1

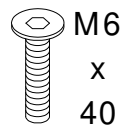
I



M6
x
50

x 6

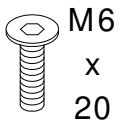
J



M6
x
40

x 9

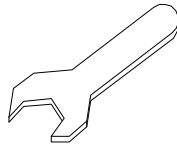
K



M6
x
20

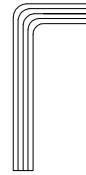
x 12

L



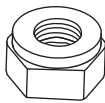
x 1

M



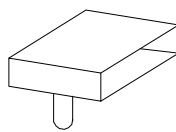
x 1

N



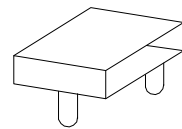
x 12

O



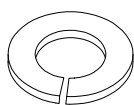
x 24

P



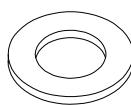
x 12

Q



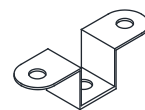
x 8

R



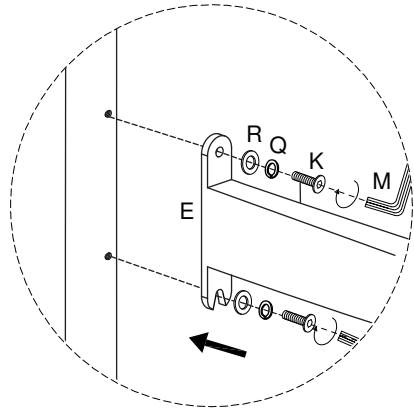
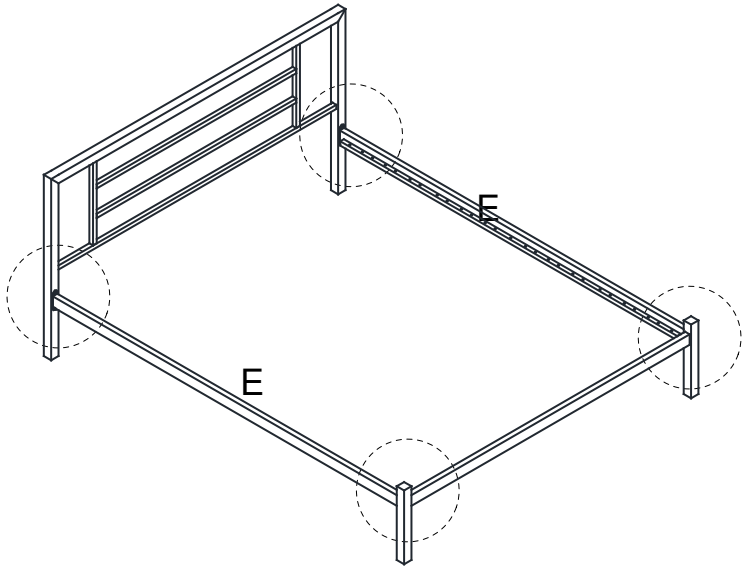
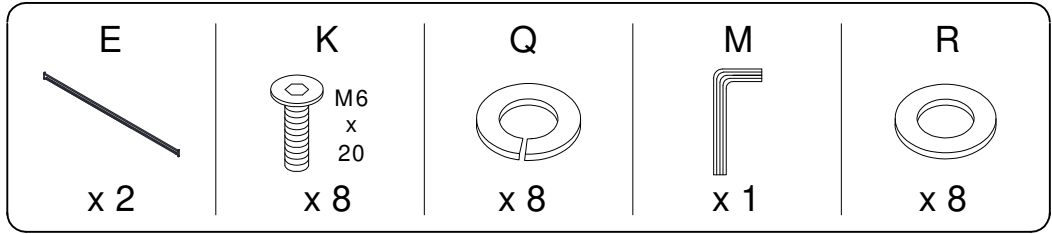
x 27

S

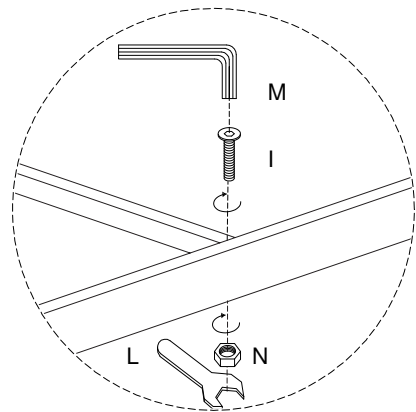
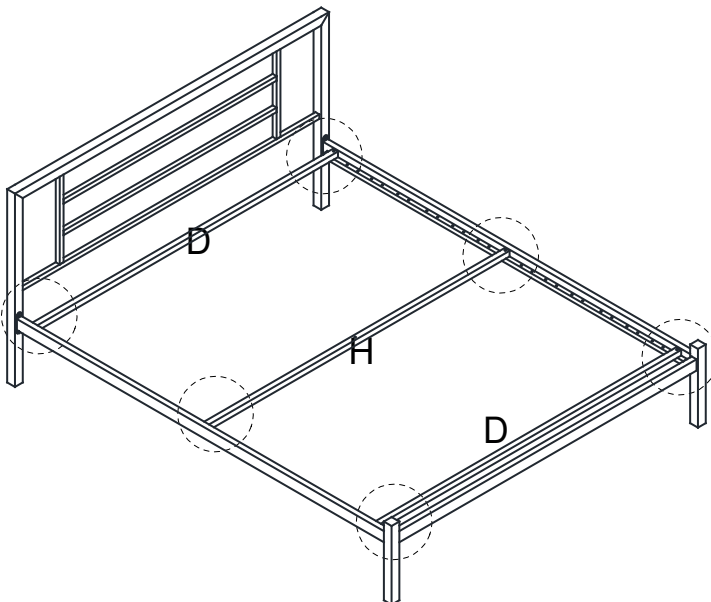
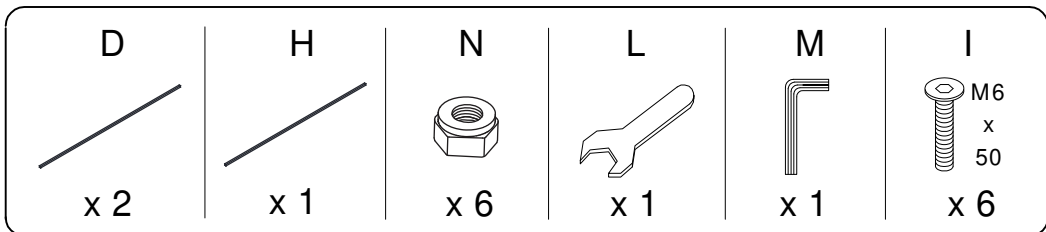


x 2




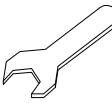
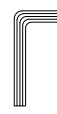
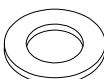
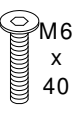
1

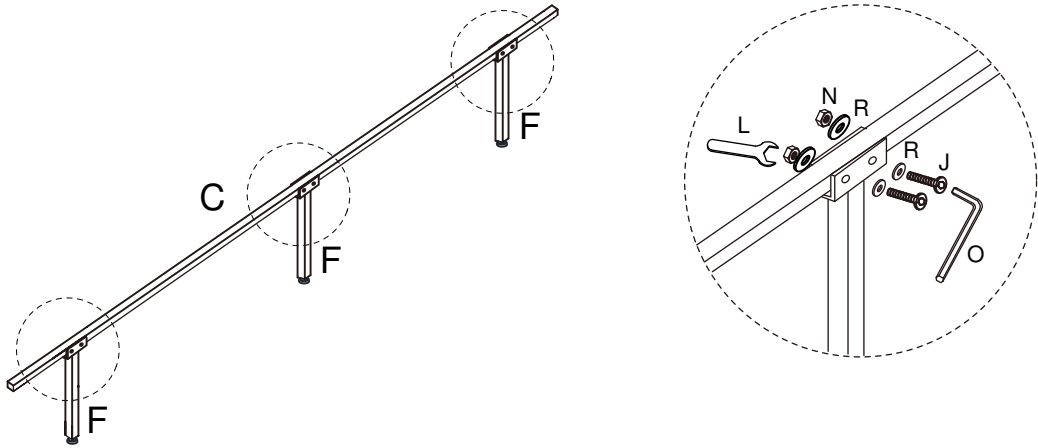


2




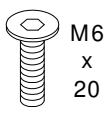
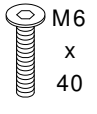


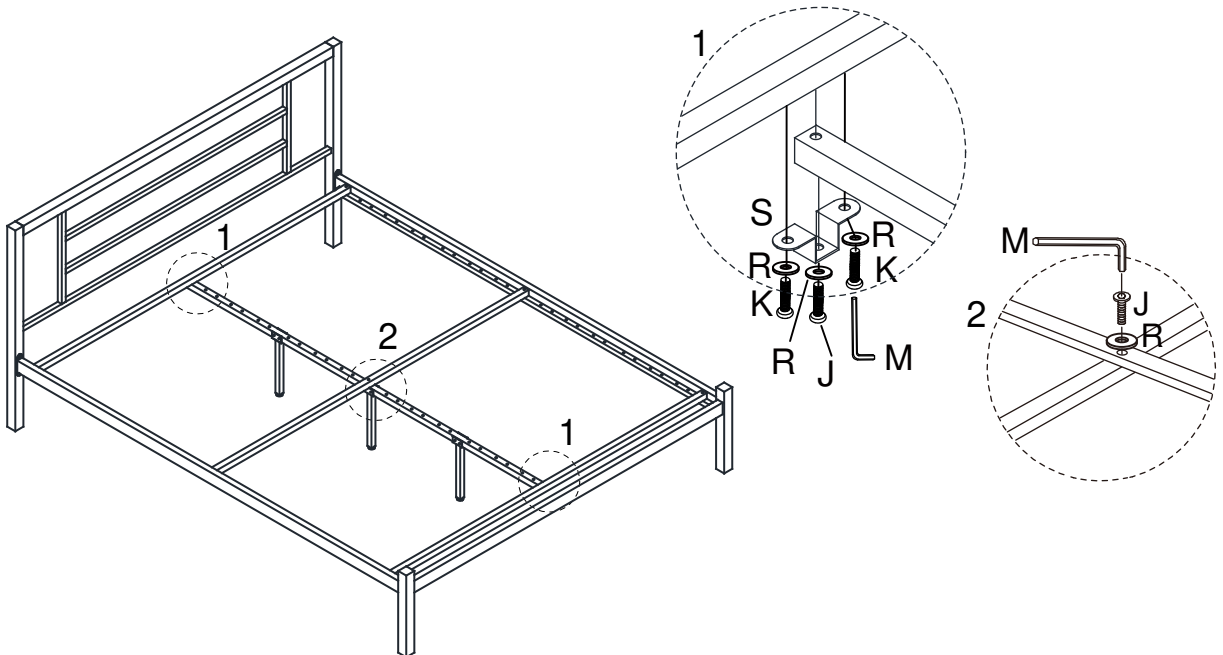
3

C	F	N	L	M	R	J
						
x 1	x 3	x 6	x 1	x 1	x 12	x 6

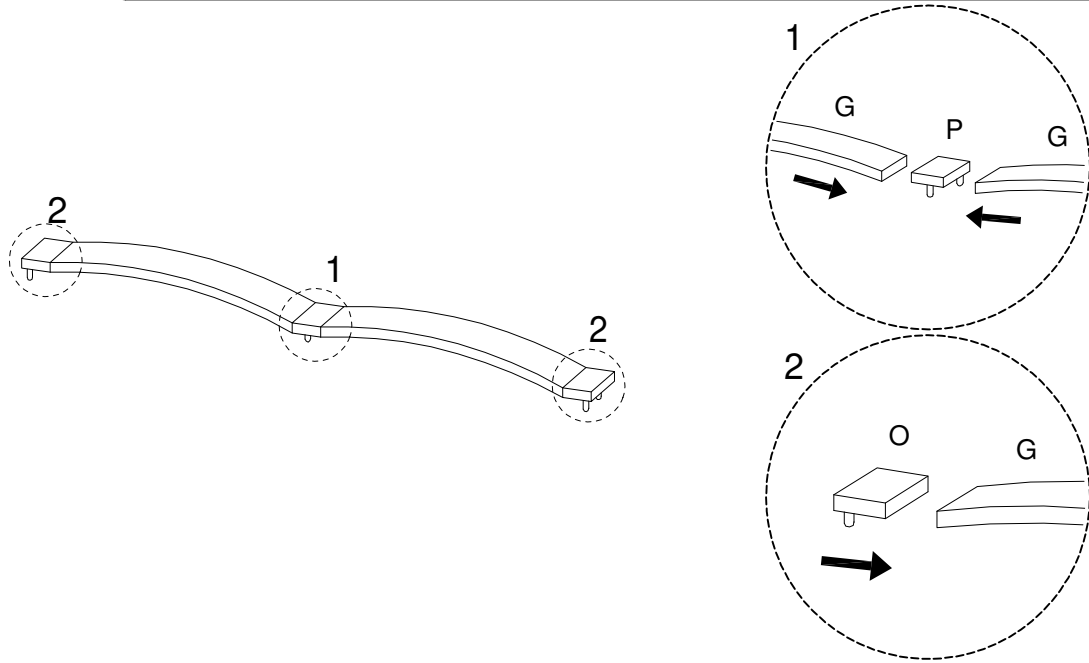
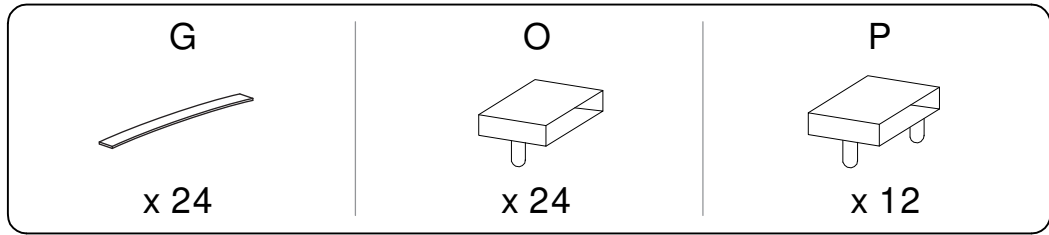


4

S	M	R	K	J
				
x 2	x 1	x 7	x 4	x 3



5



6

Once the center support feet have been assembled they should be adjusted to ensure they do not touch the floor, 5mm above the floor. When your bed is in place with mattress on top, please adjust the feet so they are in contact with the floor, this will stop any movement.

To move the bed, remove the mattress and lift the bed into its new position to avoid damage. Ensure the feet are at 90° to the floor before replacing the mattress.

