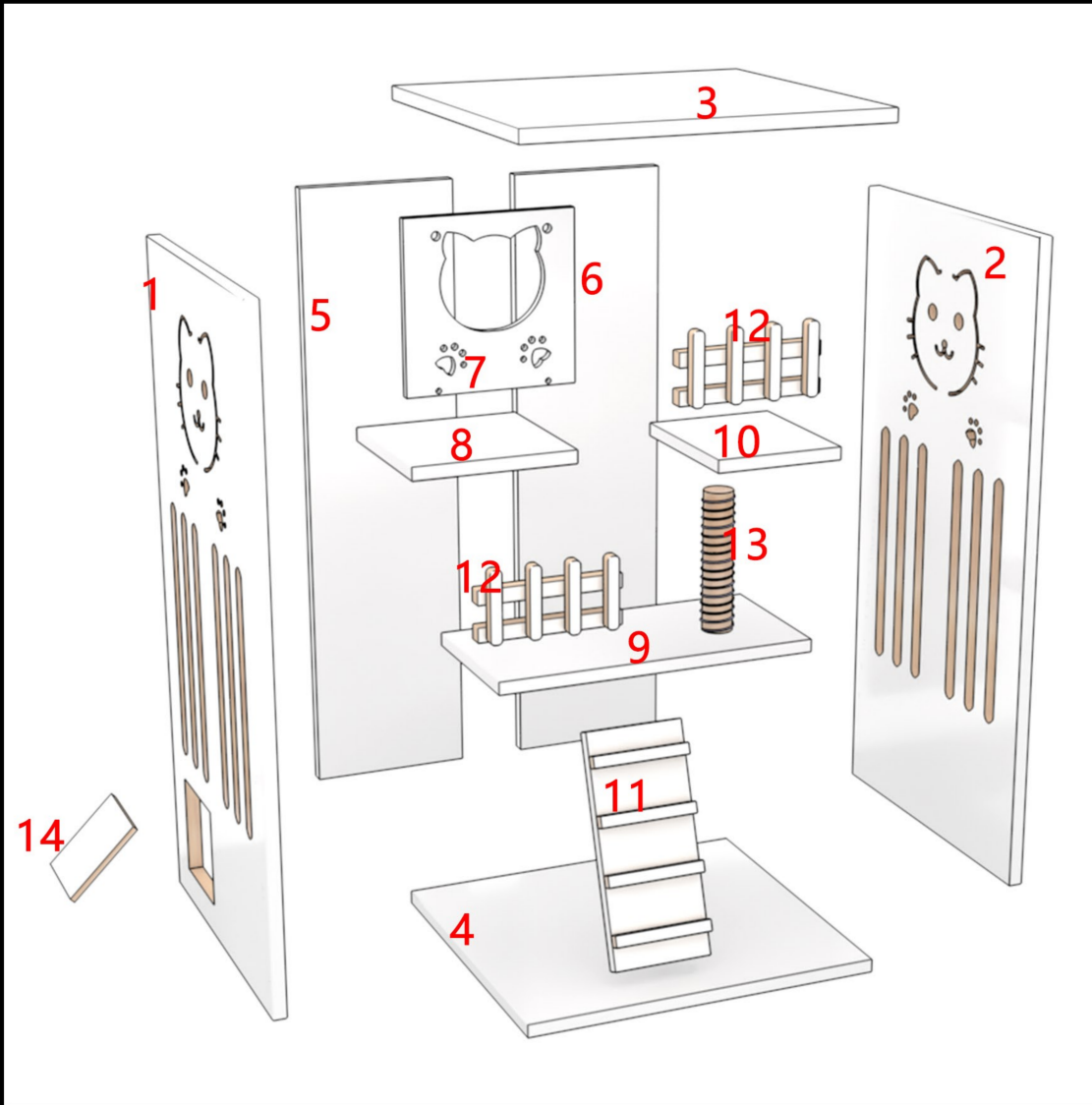
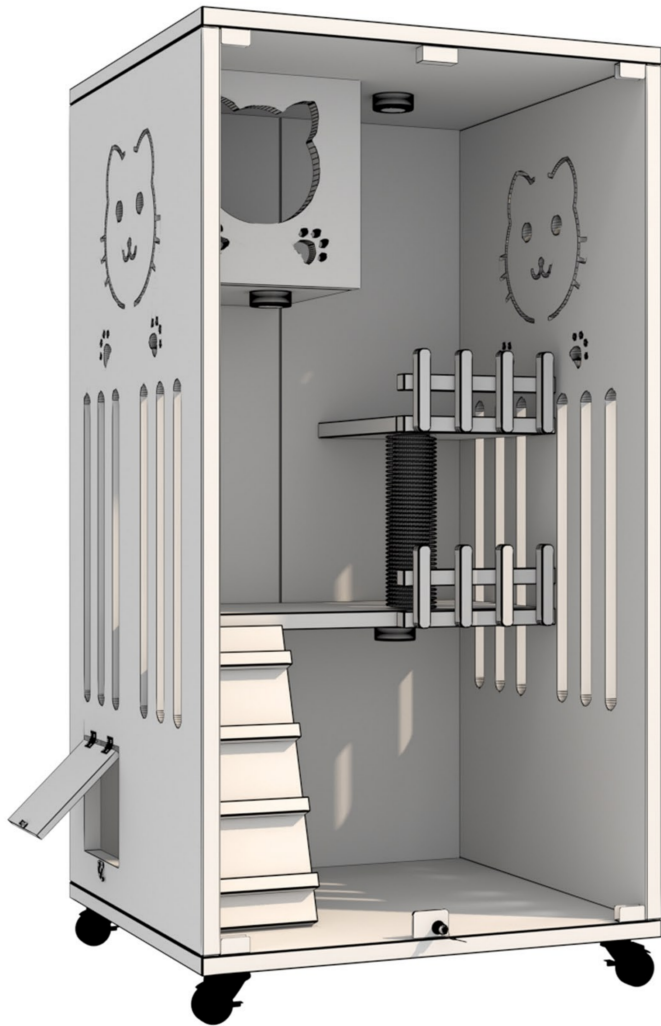
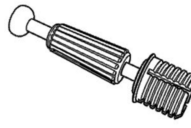

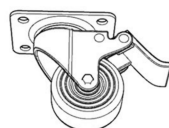
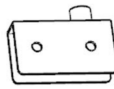


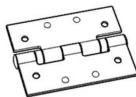
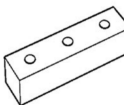
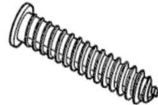




Wooden Cat House

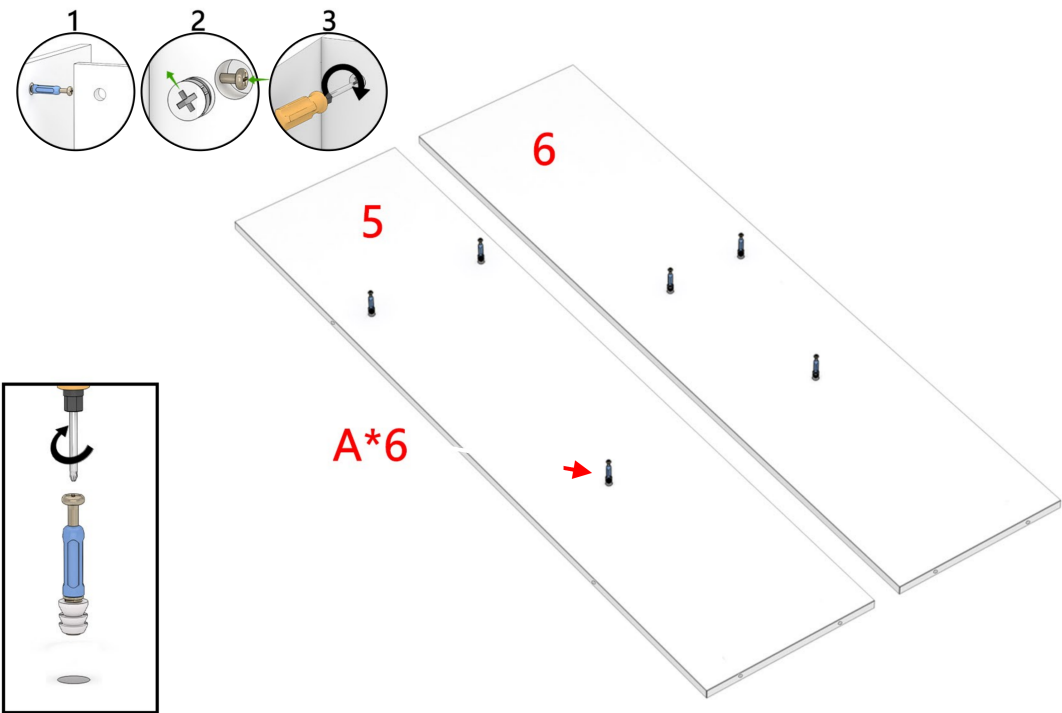
Installation instructions

Each package comes with extra screw fittings in case they are lost

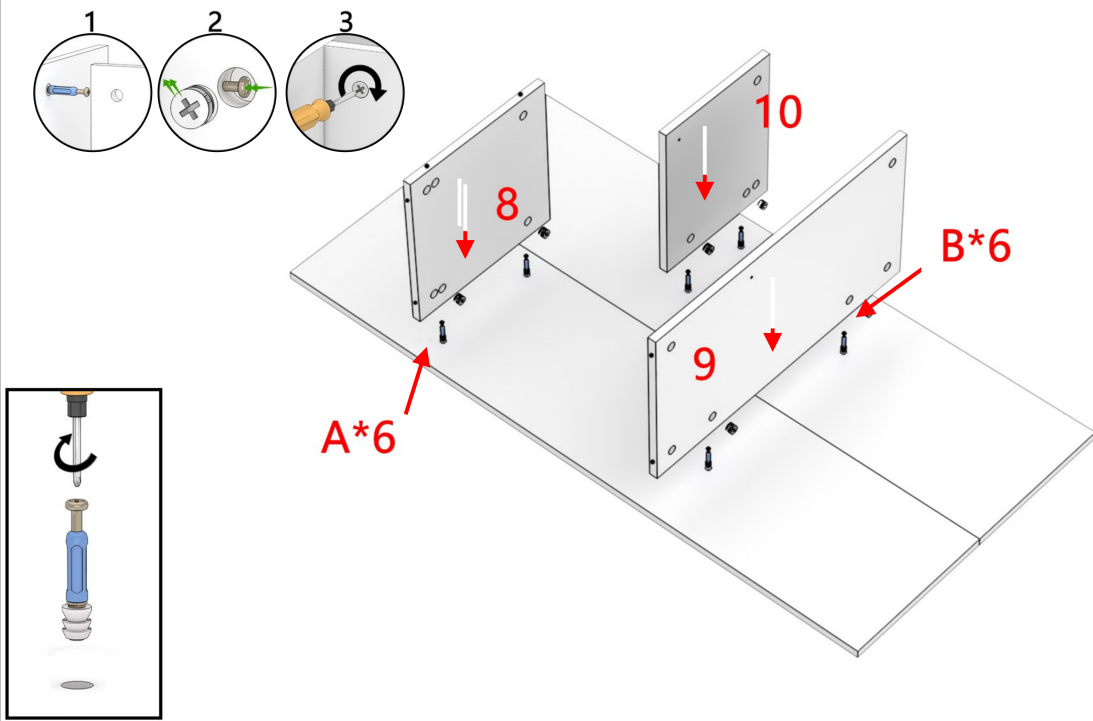


<p>A</p>  <p>x58</p>	<p>B</p>  <p>x58</p>	<p>C</p>  <p>x4</p>	<p>D</p>  <p>x4</p>	<p>E</p>  <p>x1</p>	<p>F</p>  <p>x1</p>
<p>G</p>  <p>x4</p>	<p>H</p>  <p>x2</p>	<p>J</p>  <p>x20</p>	<p>k</p>  <p>x20</p>	<p>L</p>  <p>x20</p>	

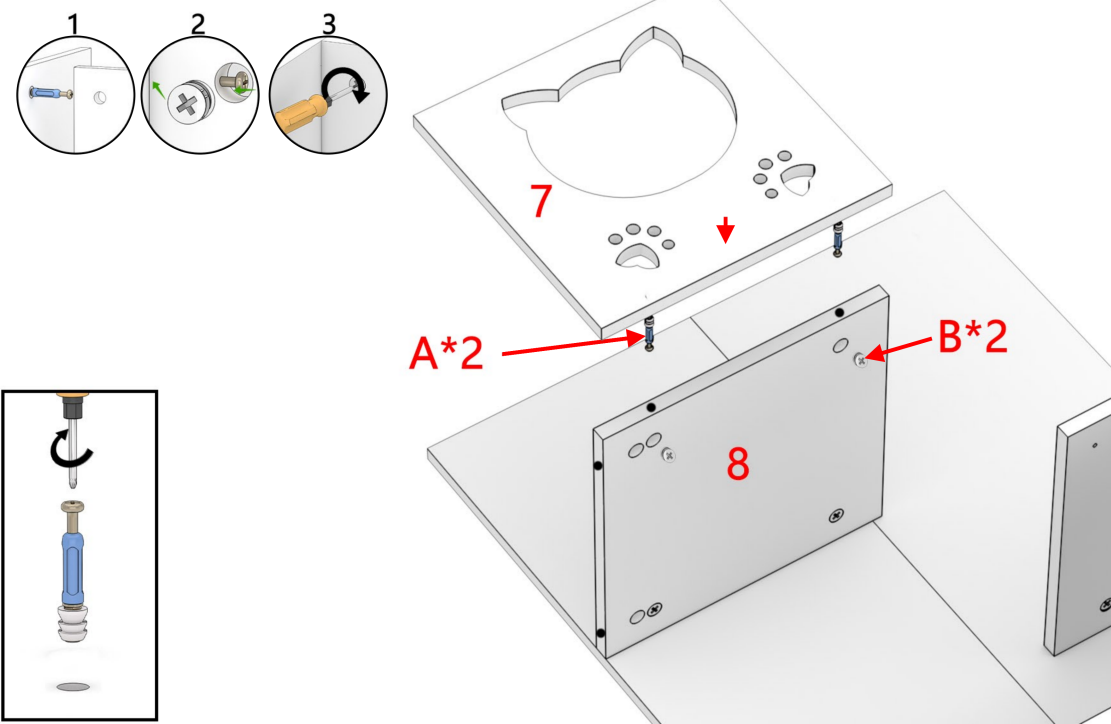
STEP 1



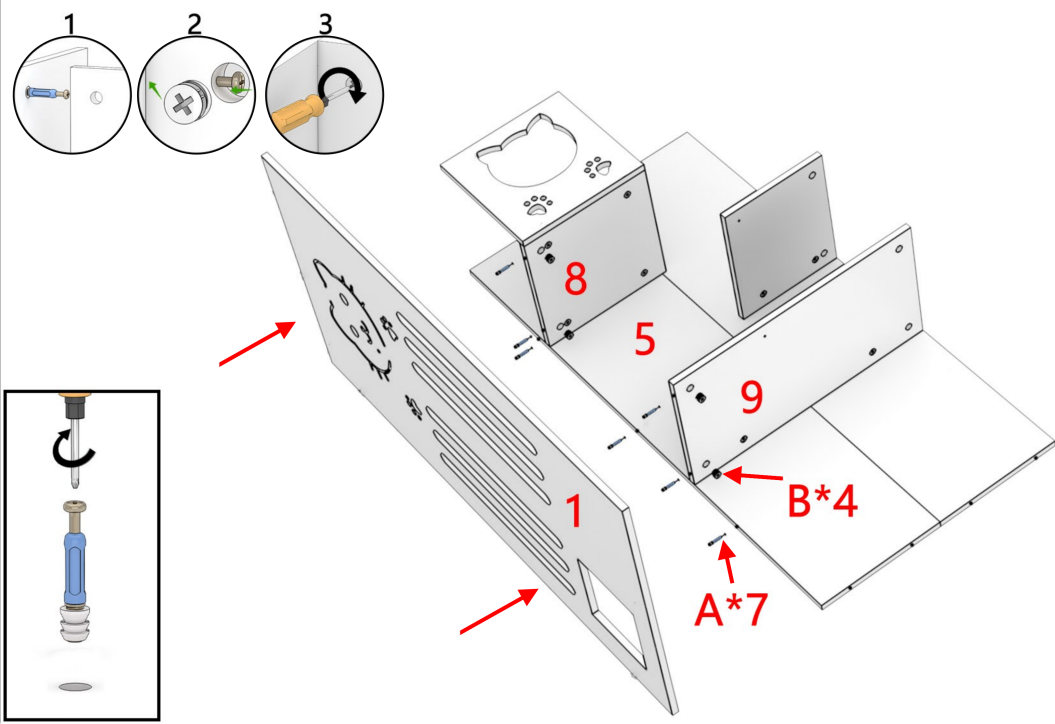
STEP 2



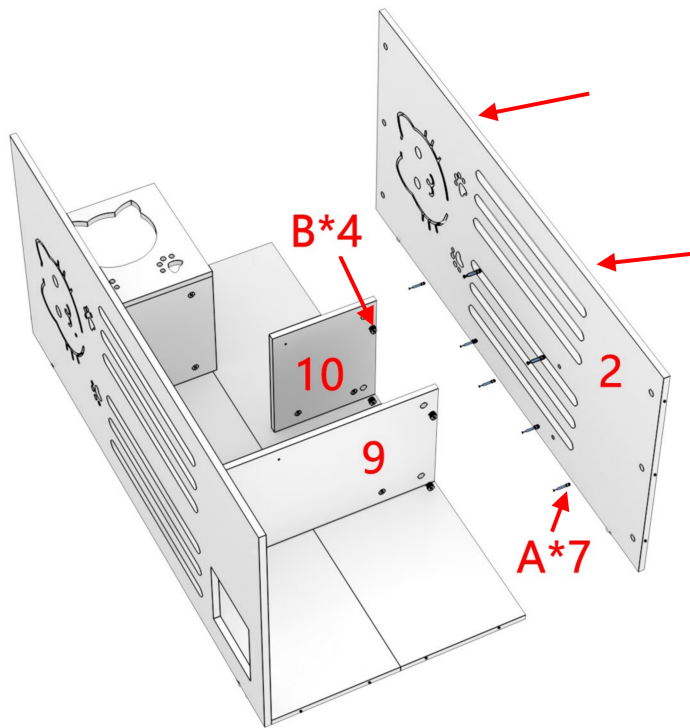
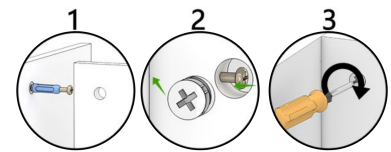
STEP 3



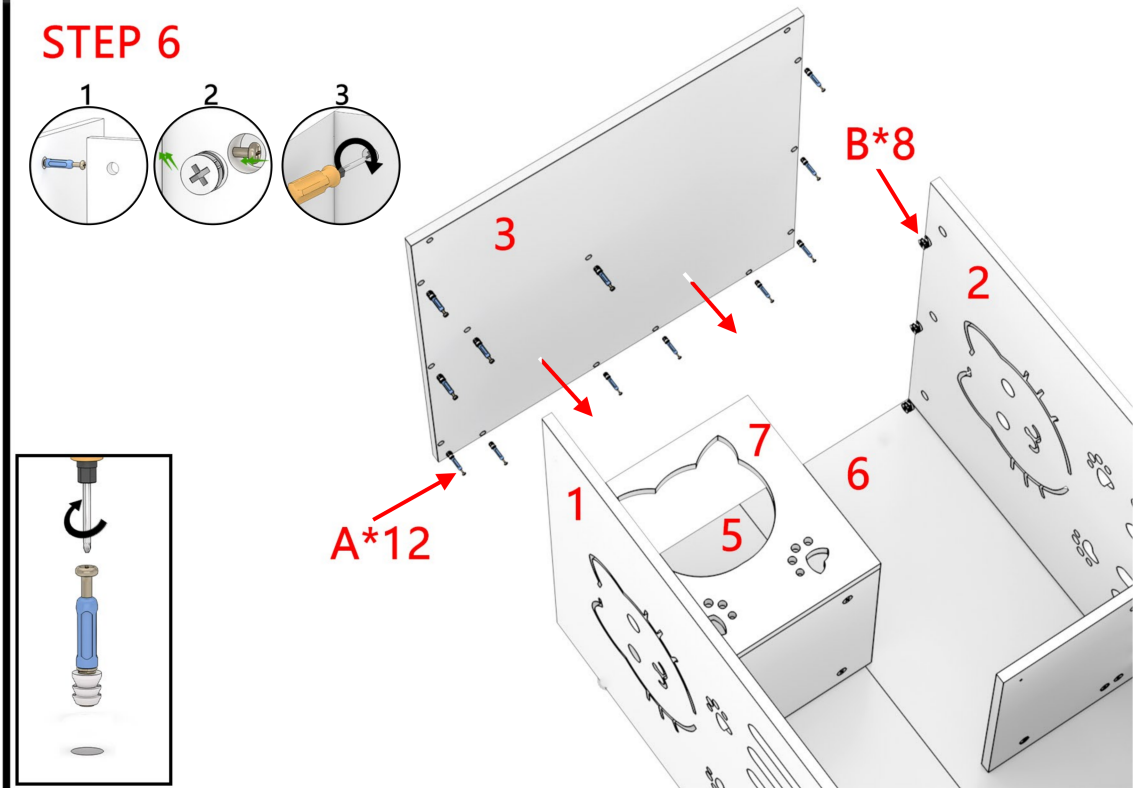
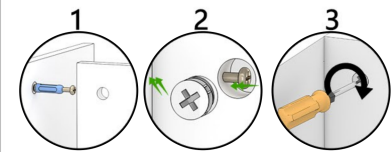
STEP 4



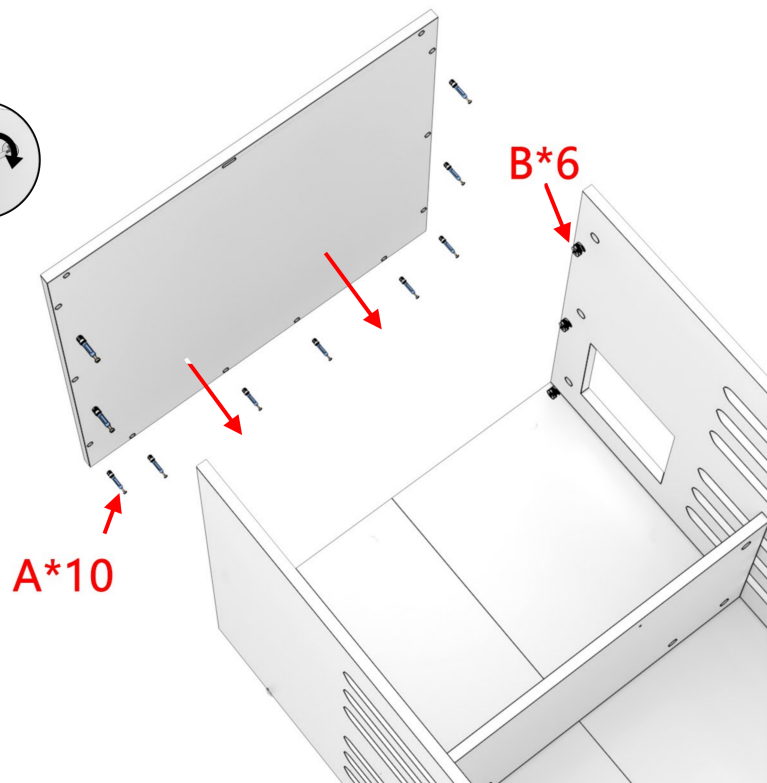
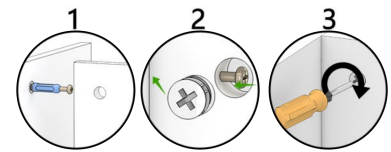
STEP 5



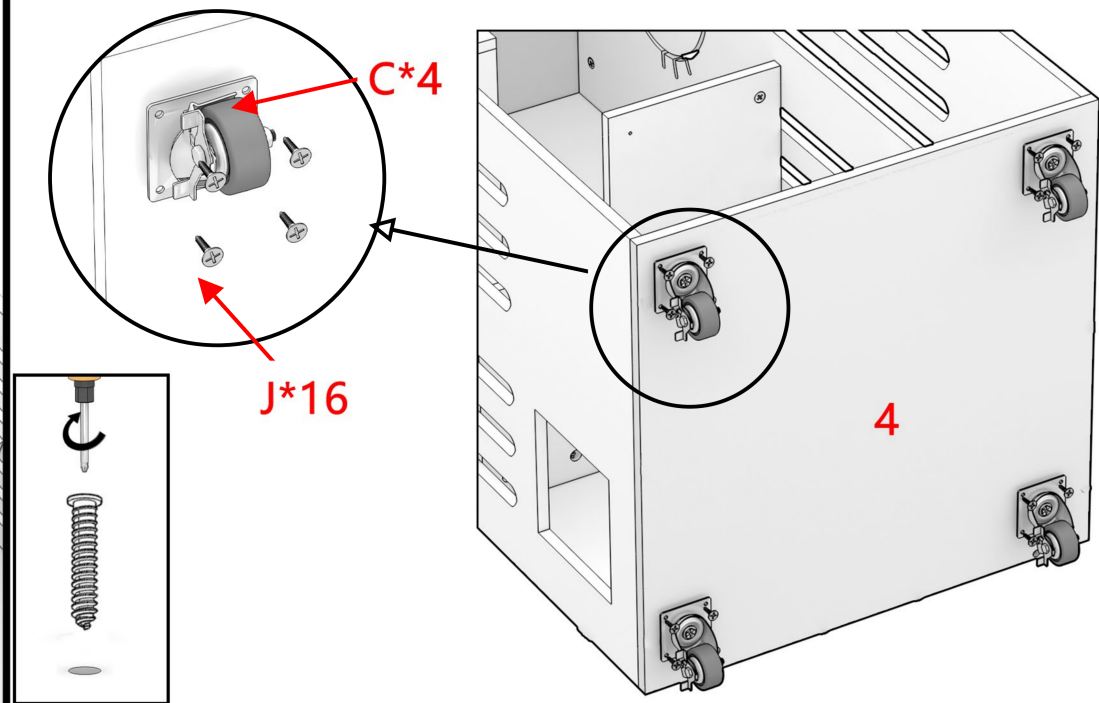
STEP 6



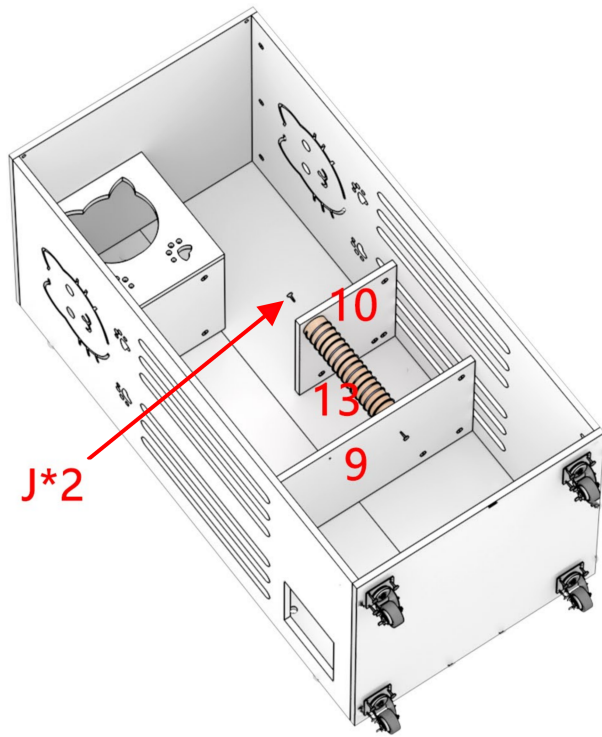
STEP 7



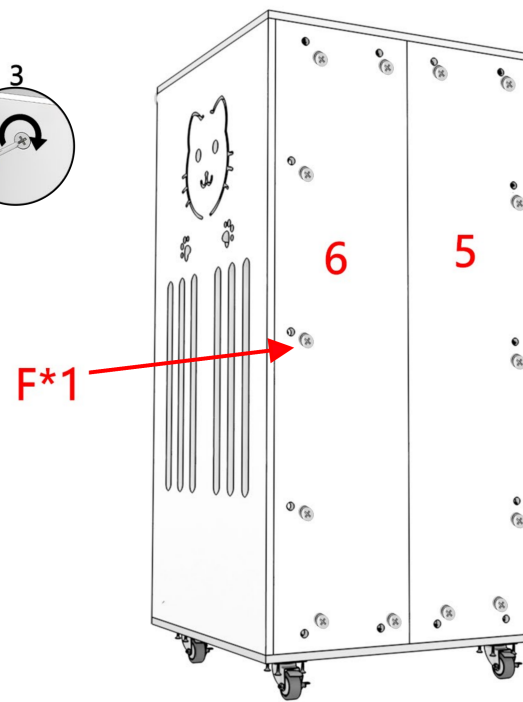
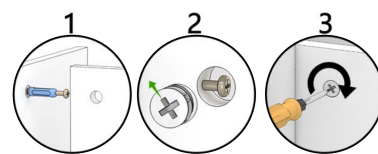
STEP 8



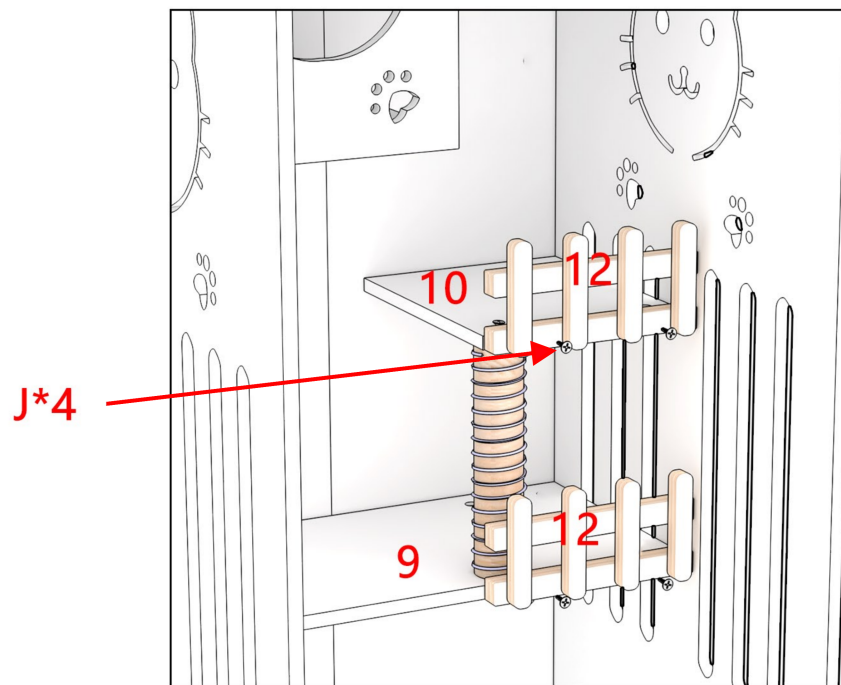
STEP 9



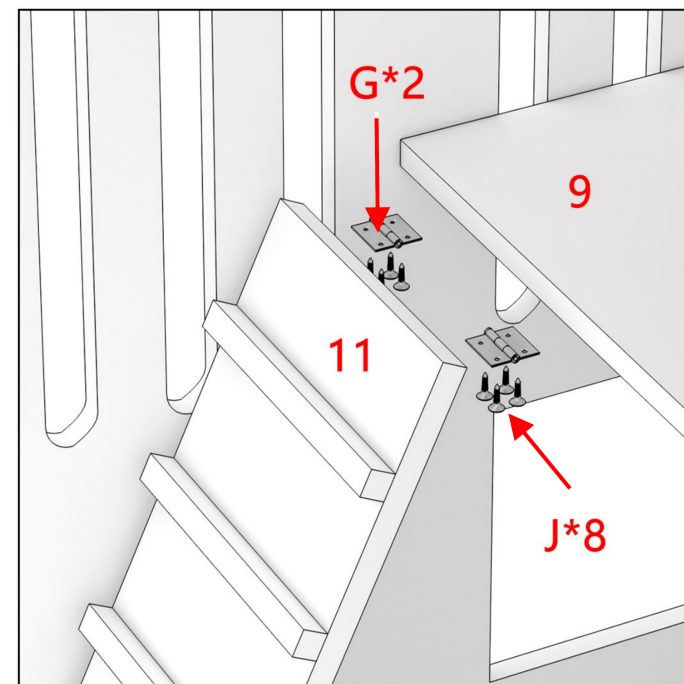
STEP 10



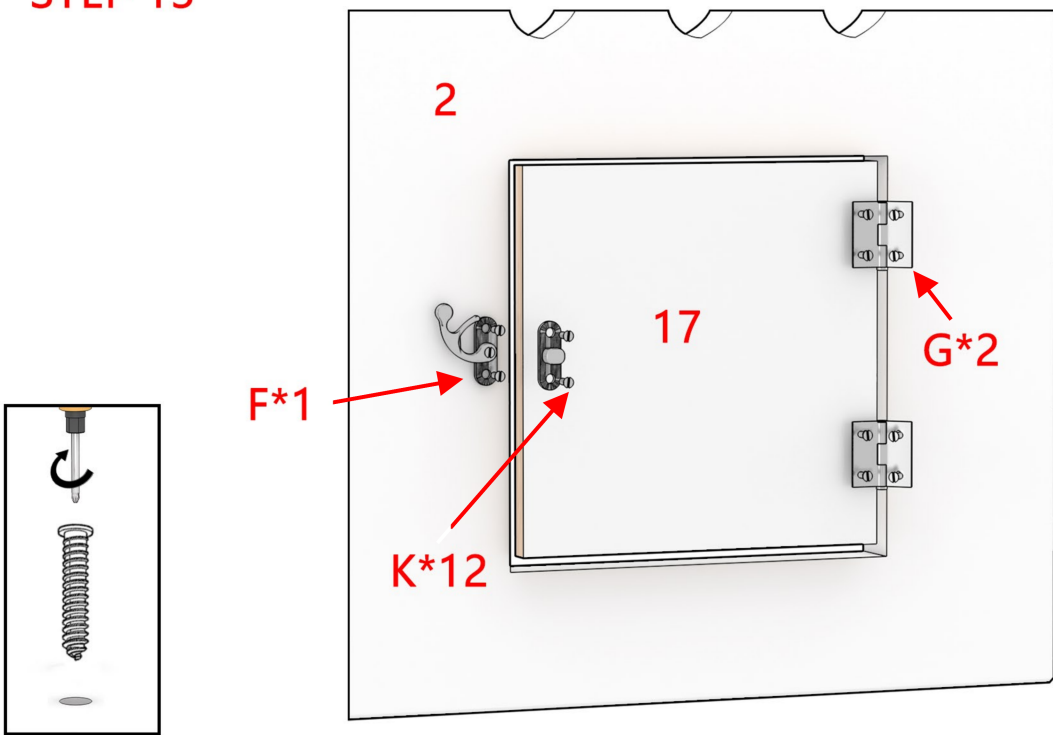
STEP 11



STEP 12

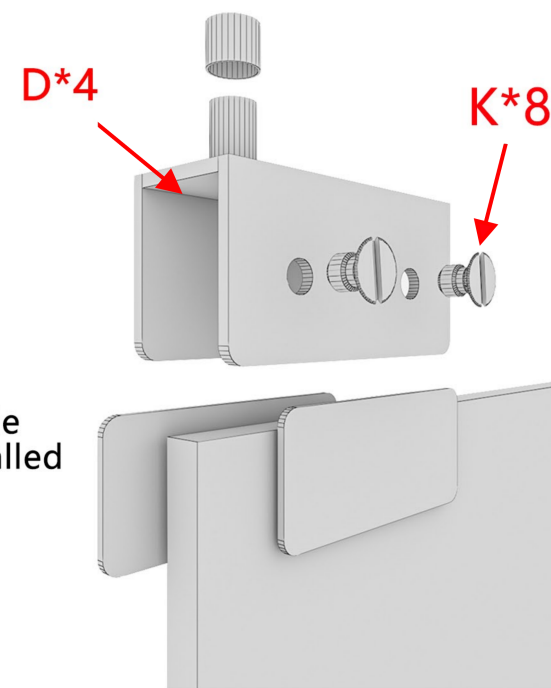


STEP 13



STEP 14

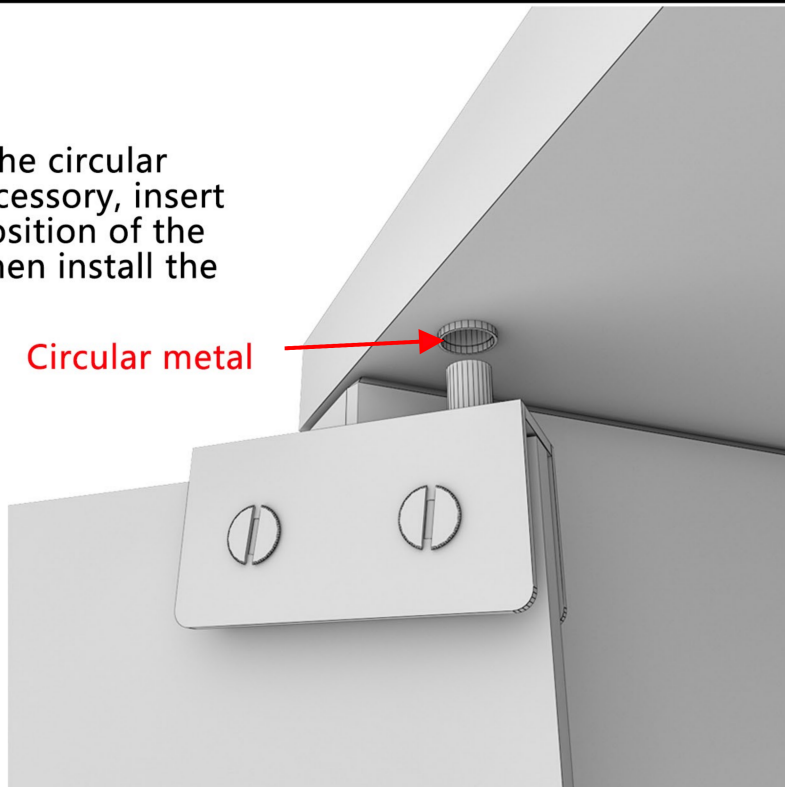
D accessories need to be installed on both the top and bottom positions of the glass



The two plastic sheets inside the accessory must be installed on both sides of the glass,

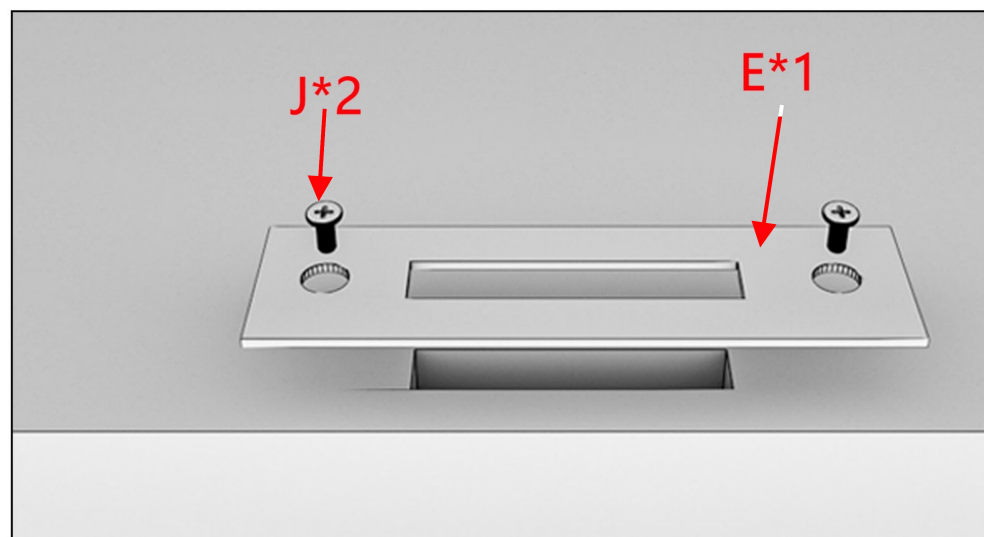
STEP 15

Pay attention to the circular metal of the D accessory, insert it into the hole position of the board first, and then install the glass



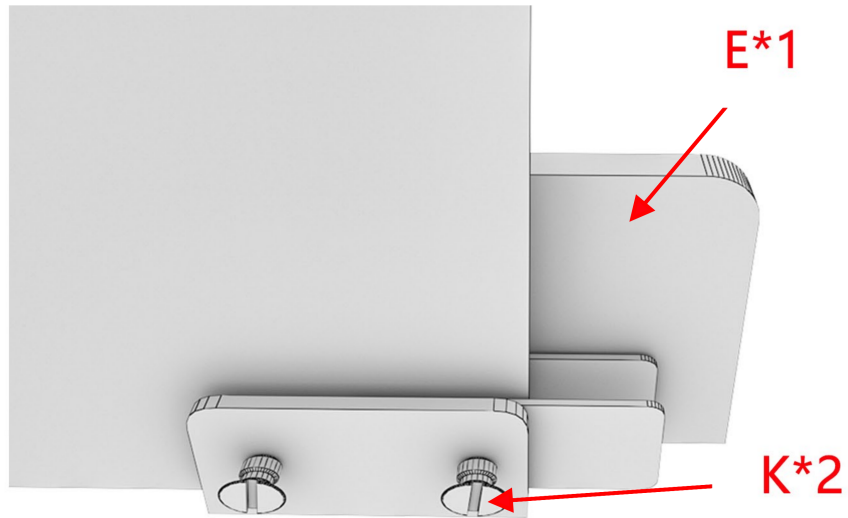
STEP 16

E accessory elongated metal sheet, fixed in the middle hole position of plate 4 with K accessory



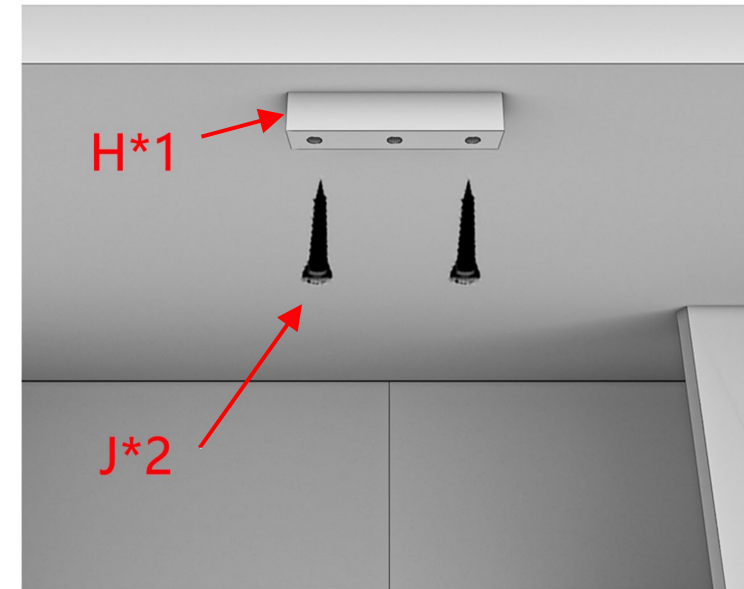
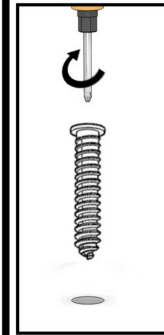
STEP 17

The E accessory must be installed below the right glass door, and two plastic sheets must be distributed on both sides of the glass



STEP 18

The H accessory is installed in the middle of the glass door



Attention:

If the glass is damaged, you can contact us for replacement. If any accessories are damaged or have problems, you can contact us.

