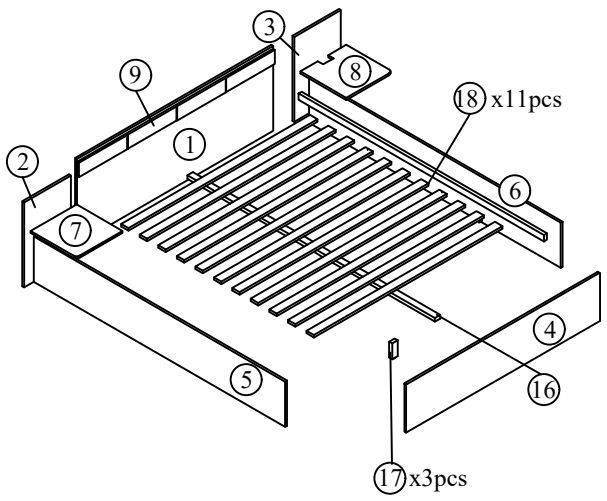
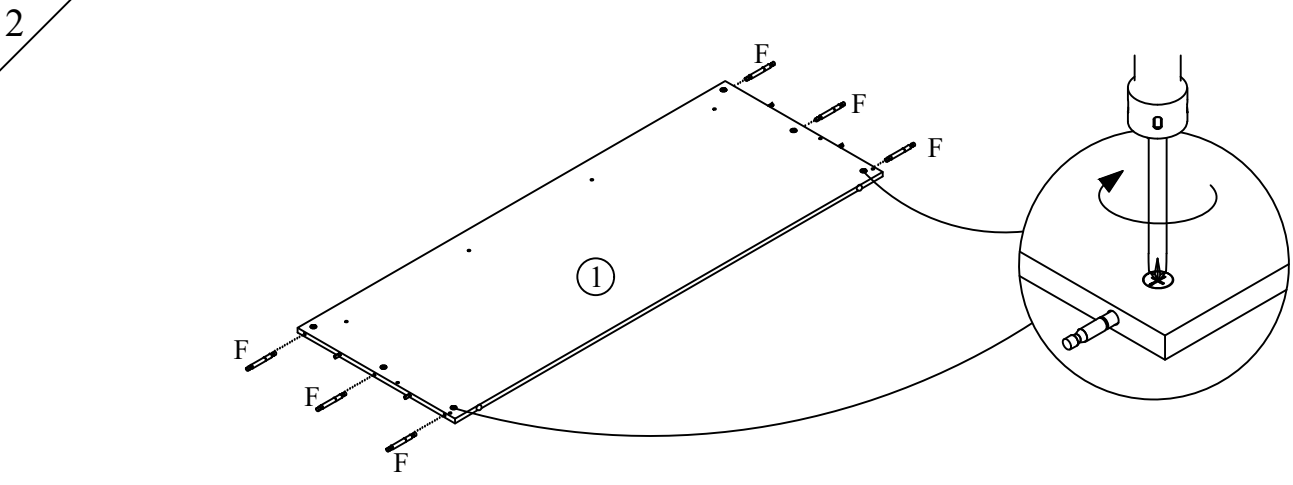
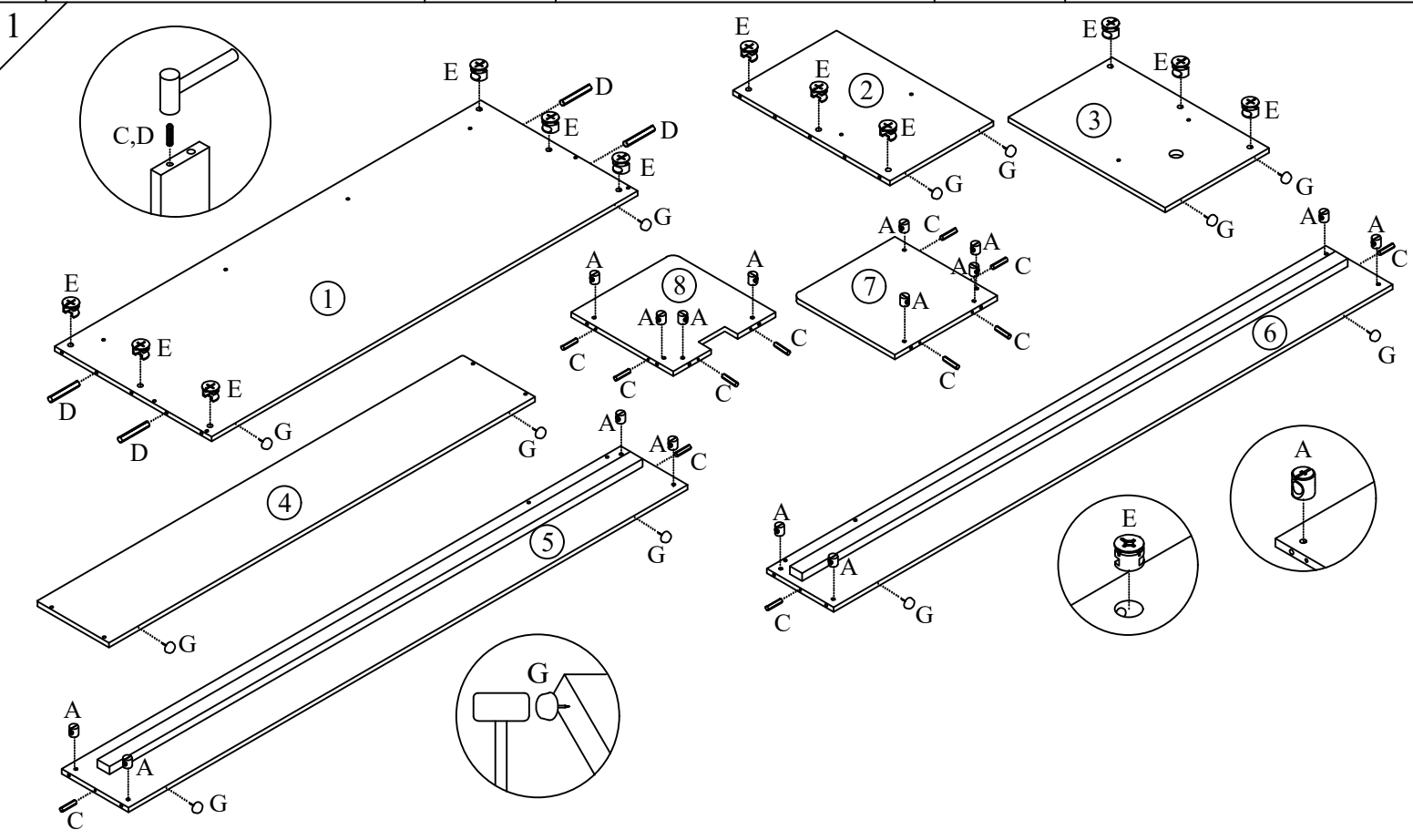


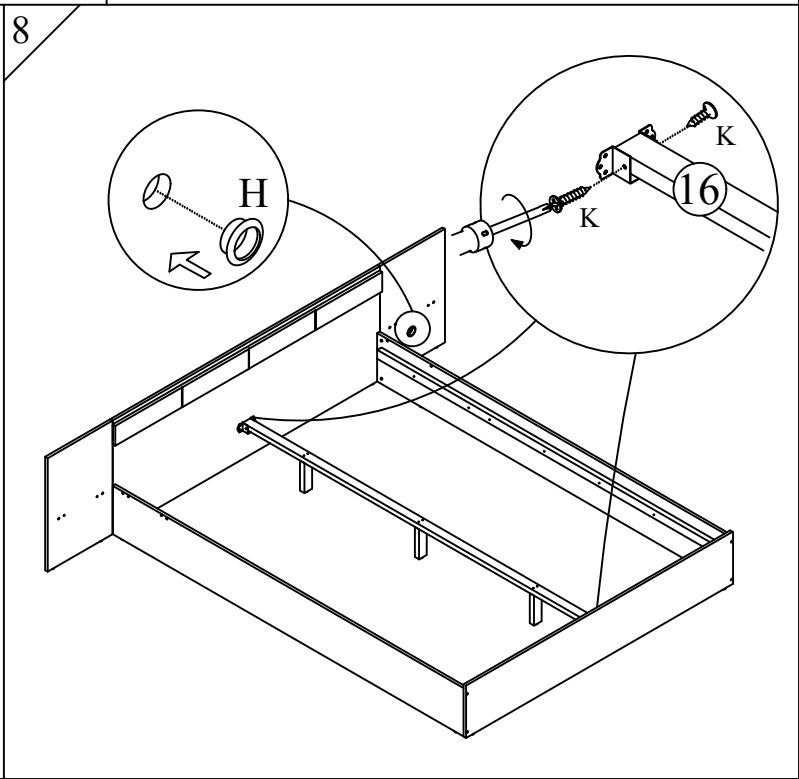
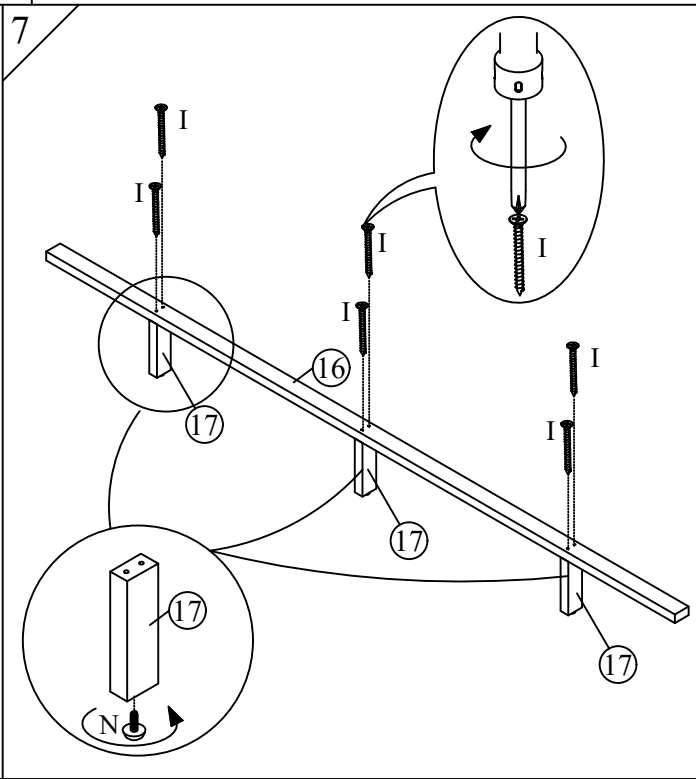
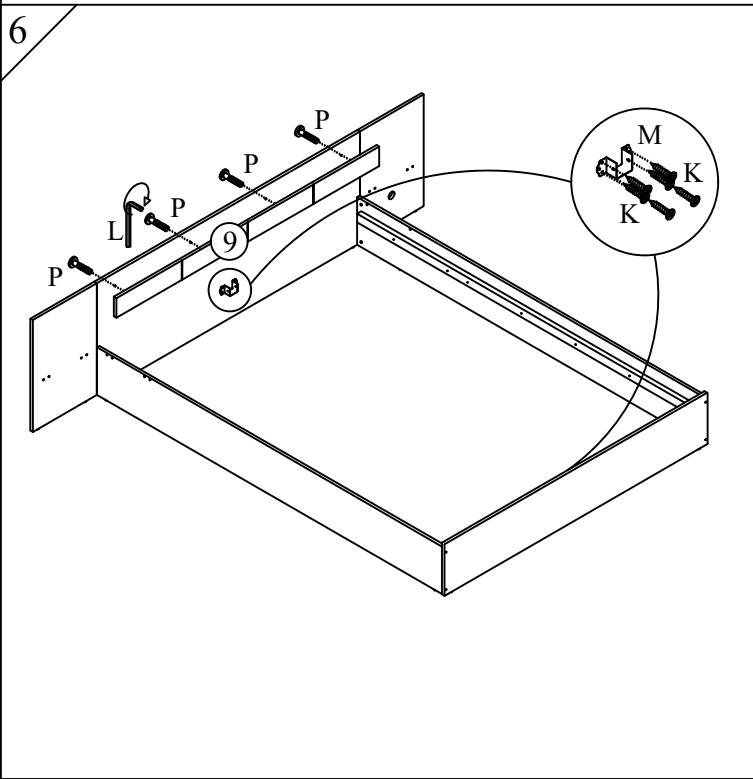
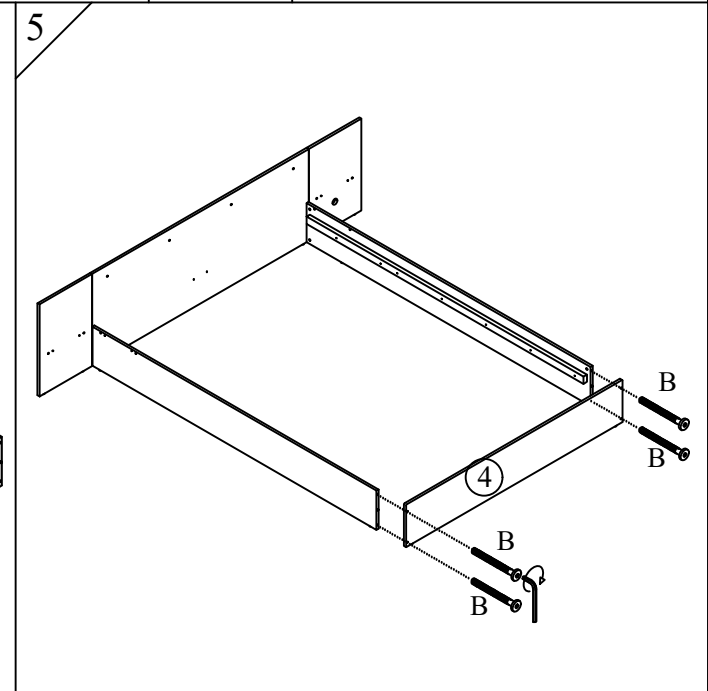
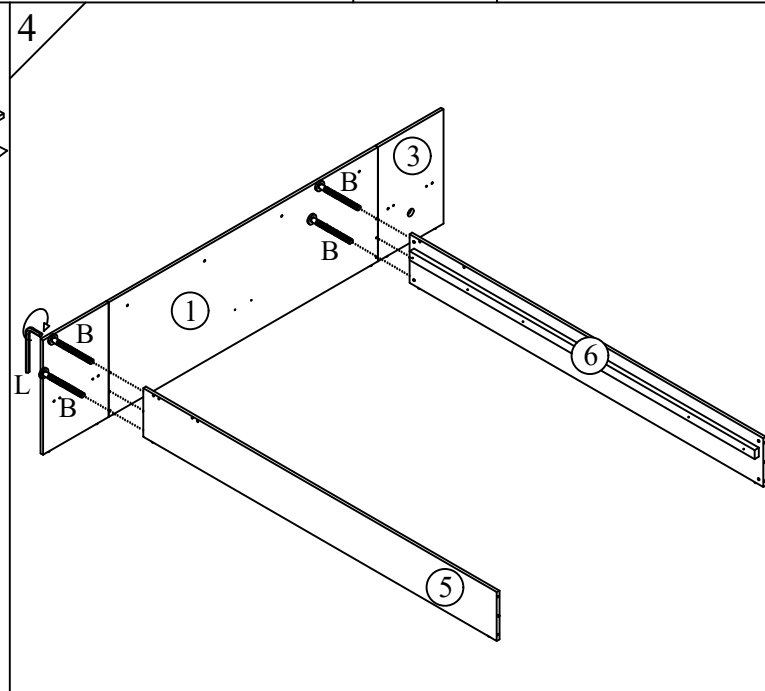
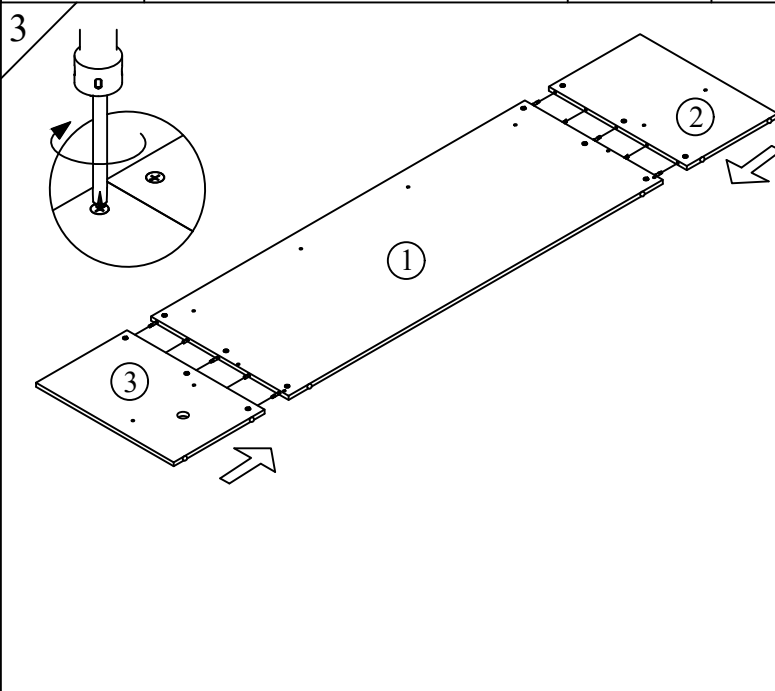
Model	DN BED 366 741 - 2 - GC	Issue Date	22 - 03 - 2023	Draw By	YN NG	Approved By / Date	
Form No	P13-RD-05-Rev01	Revision	BED 1.0	Checked By	YN NG	Sheet	01 / 03
Description	Assembly Instructions						



A		STEEL NUT M6 x 10mm	16
B		JCBC SCREW M6 x 50mm	16
C		WOOD DOWEL M6 x 25mm	12
D		WOOD DOWEL M8 x 50mm	4
E		CAM NUT 15mm	12
F		DOUBLE END BOLT	6
G		PVC NAIL 5/8"	12
H		WIRE CAP 35mm	1
I		CSK SCREW M4 x 65mm	6
J		CSK SCREW M4 x 38mm	22
K		CSK SCREW M3.5 x 16mm	18
L		ALLEN KEY	1
M		SLAT BRACKET HC 021	2
N		M6 x 20mm GLIDER	3
O		USA SOCKET	1
P		JCBC SCREW M6 x 25mm	4



Model	DN BED 366 741 - 2 - GC	Issue Date	22 - 03 - 2023	Draw By	YN NG	Approved By / Date	
Form No	P13-RD-05-Rev01	Revision	BED 1.0	Checked By	YN NG	Sheet	02 / 03
Description	Assembly Instructions						



Model	DN BED 366 741 - 2 - GC	Issue Date	22 - 03 - 2023	Draw By	YN NG	Approved By / Date	
Form No	P13-RD-05-Rev01	Revision	BED 1.0	Checked By	YN NG	Sheet	03 / 03
Description	Assembly Instructions						

