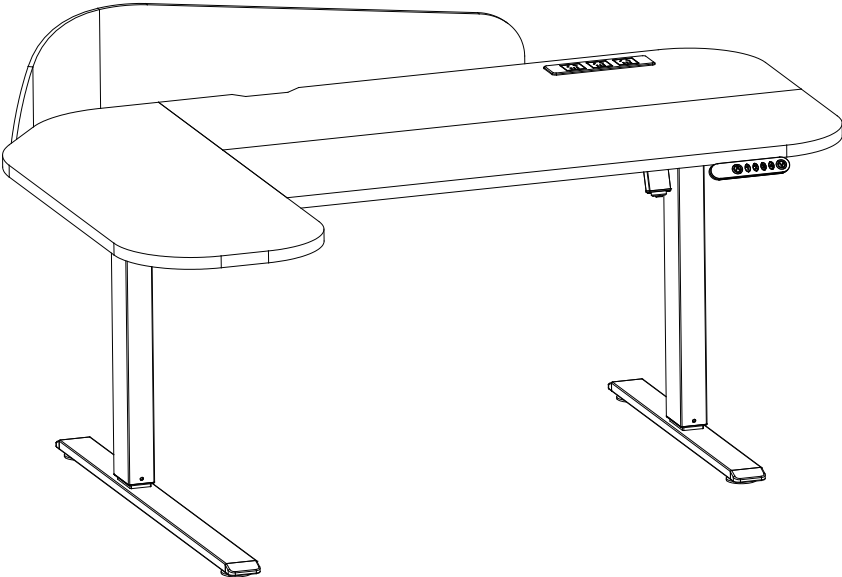


# Electric Height Adjustable Standing Desk

USER MANUAL





**IMPORTANT INFORMATION  
READ CAREFULLY.**

**KEEP THIS INFORMATION FOR FURTHER REFERENCE.**

## **GENERAL GUIDELINES**

- Please read the following instruction carefully and use the product accordingly.
- Please keep this manual and hand it over when you transfer the product.
- This summary may not include every detail of all variations and considered steps. Please **contact us** when further information and help are needed.

## **NOTES**

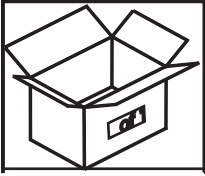
- Please follow the assembly instructions precisely and only use the product as intended.
- If an odor is present when first opening the package, please leave the unwrapped product in a shaded and ventilated area for a few days to air out.
- Prior to assembly, please check the product for defects or missing accessories. If any defects are found or accessories are missing, do not use product as damage or injury may occur;
- Please **contact us** for assistance and replacement.
- During assembly, please only slightly tighten all screws in their correct position first, then fully tighten them. A Philips screwdriver is recommended but not included.
- It is suggested you regularly check the products bolts and connections to ensure safe use.
- Assemble the item on a soft flat and clean surface to avoid scratches and damage.

## **WARNINGS**

- During assembly, keep parts and packaging materials away from children and pets as there could cause injury and are a potential choking hazard.
- Avoid sharp objects or corrosive chemicals to prevent damage to the product.
- Please open the item slowly and cautiously to avoid pinching your hands by metal joints, especially children.

# Components

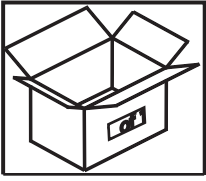
Please check you have all the pieces listed below

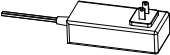
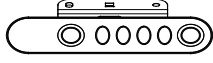



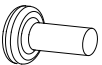
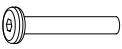
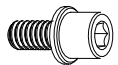

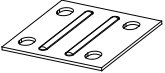
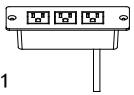

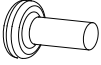

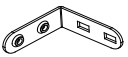





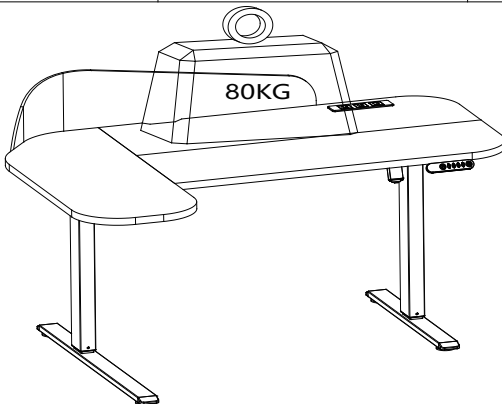
Reference	Description	Part	Quantity
①	Desktop-1		1
②	Desktop-2		1
③	Desktop-3		1
④	Left Leg		1
⑤	Right Leg		1
⑥	Support beam		2
⑦	Side Bracket-long		1
⑧	Side Bracket-short		1
⑨	Base-long		1
⑩	Base-short		1
⑪	Sync Rod		1
⑫	Screen		1

# Components

Please check you have all the pieces listed below



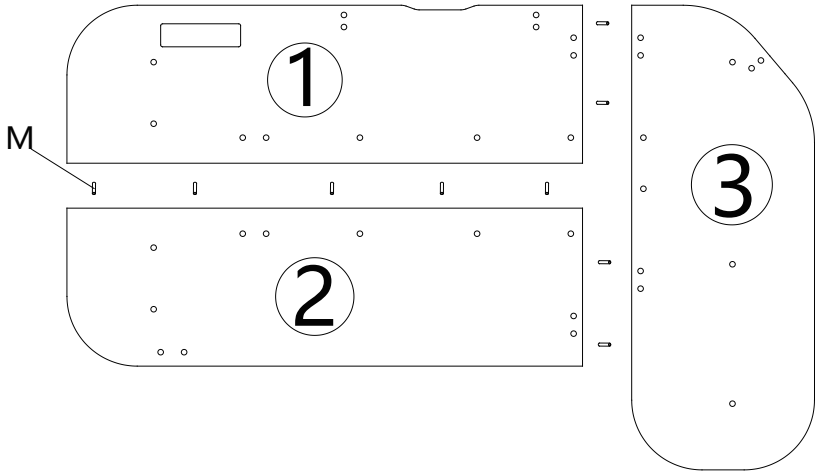
<p><b>A</b> </p> <p>Power Cable x1</p>	<p><b>B</b> </p> <p>Controller x1</p>	<p><b>C</b> </p> <p>Leveling Studs x4</p>
<p><b>D</b> </p> <p>Wire Clips x5</p>	<p><b>E</b> </p> <p>4mm Allen Key x1</p>	<p><b>F</b> </p> <p>Screws M6x12 x40</p>
<p><b>G</b> </p> <p>Screws M6x35 x10</p>	<p><b>H</b> </p> <p>Screws M5x8 x14</p>	<p><b>M</b> </p> <p>Wooden Rod x11</p>
<p><b>N</b> </p> <p>Connector x2</p>	<p><b>K</b> </p> <p>Socket x1</p>	<p><b>L</b> </p> <p>Hexagon bar x1</p>
<p><b>O</b> </p> <p>Screws M6x15 x7</p>	<p><b>Q</b> </p> <p>Shim? 6x18 x7</p>	<p><b>R</b> </p> <p>Hanging code x3</p>
<p></p> <p>screwdriver x1</p>	<p><b>S</b> </p> <p>Self tapping silk M3X12 x4</p>	<p><b>T</b> </p> <p>Lockable wheel x4</p>



**1****M** x 9

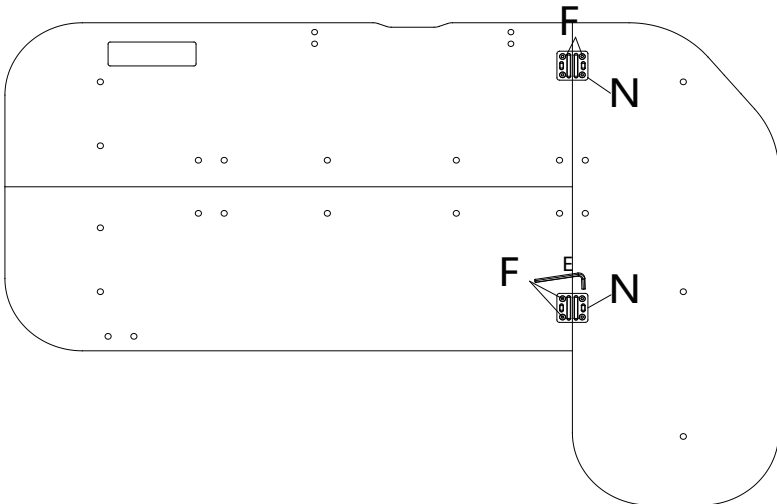
Wooden Rod

Note: Three more woden rods in the accessory bag

**2**

<b>E</b> X 1	<b>F</b> X 8	<b>N</b> X 2
4mm Allen Key	Screws M6X12	Connector

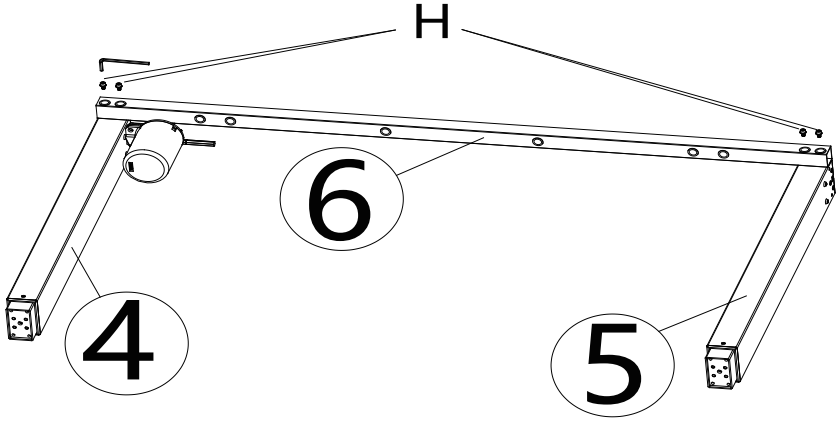
Note: The horizontal bar on the Connector should be perpendicular to the seam of the table panel splice



### 3

		<b>E</b> ×1	<b>H</b> ×4
		4mm Allen Wrench	Screws M5×8
<b>4</b> ×1	<b>5</b> ×1	<b>6</b> ×1	
Left Leg	Right Leg	Crossbars	

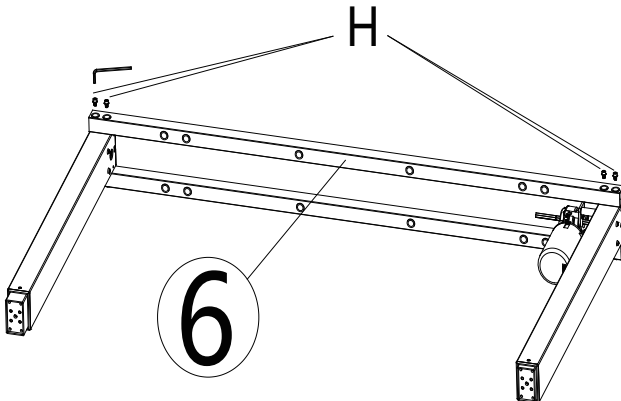
Lay down the left leg(Part 4) and right leg(Part 5), and put one crossbar(Part 6) on the legs. Insert four M5x8 screws(Part H) through the holes on the crossbar and legs by using the 4mm Allen wrench(Part E). Rotate each screw just a few turns. When all M5x8 screws are threaded, go back and tighten all remaining screws.



### 4

<b>6</b> ×1	<b>E</b> ×1	<b>H</b> ×4
Crossbars	4mm Allen Wrench	Screws M5×8

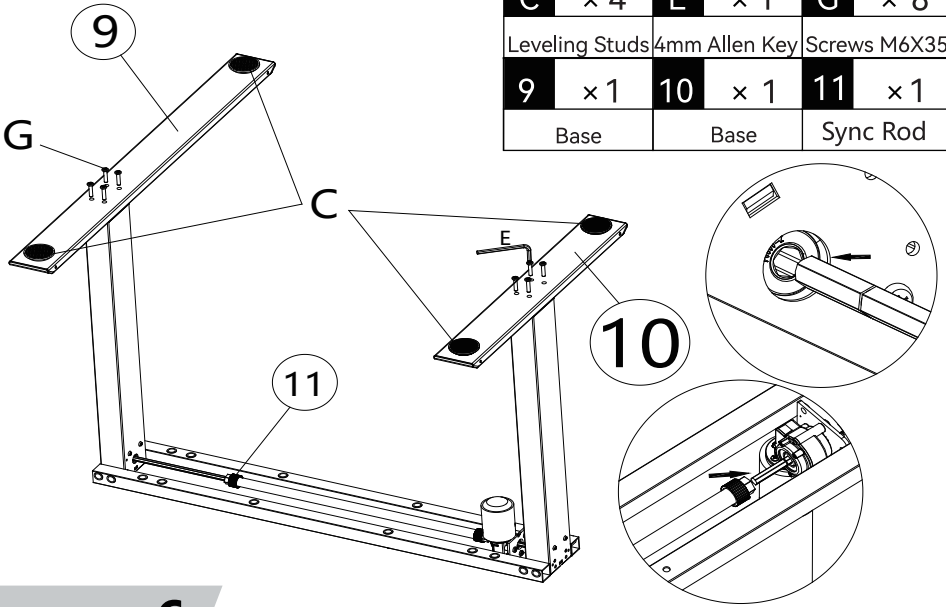
Put another crossbar(Part 6) on the other side of the legs. Tighten four M5x8 screws(Part H) on it with the 4mm Allen wrench(Part E).



# 5

First, put 4 leveling studs(Part C)on two bases(Part 9), and tighten them.Then put two table bases on the bottom of the table legs, then tighten M6X35 screws(Part G) with Allen wrench(Part E). Lastly, insert the Sync rod(Part 11) into the main shaft of the table leg without motor and then lock the plastic nut,put the other side of the Sync rod into the pre-built rod on the motor leg and then lock the plastic nut again.

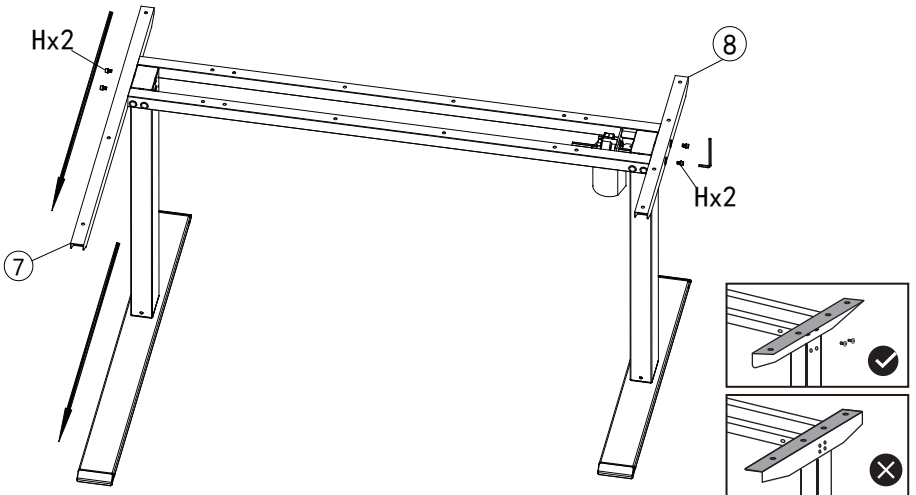
<b>C</b> × 4	<b>E</b> × 1	<b>G</b> × 8
Leveling Studs	4mm Allen Key	Screws M6X35
<b>9</b> × 1	<b>10</b> × 1	<b>11</b> × 1
Base	Base	Sync Rod



# 6

Turn the desk frame straight. Attach two side brackets(Part 7-8)to the frame, then tighten M5X8 screws(Part H) with the 4mm Allen wrench(Part E).

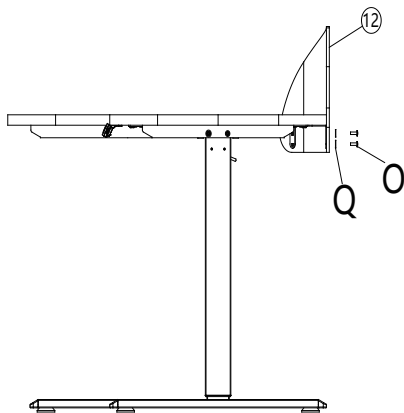
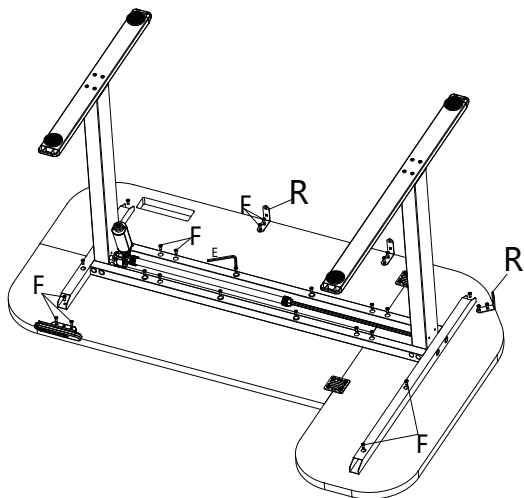
<b>E</b> × 1	<b>H</b> × 4	<b>7</b> × 1	<b>8</b> × 1
4mm Allen Key	Screws M5X8	Side Bracket	Side Bracket



# 7

Put the desk frame on the desktop, adjust the crossbars to the correct position. By using the 4mm Allen wrench(Part E), insert four M6X12 screws(Part F) through the holes in crossbar going into the desktop and eight M6X12 screws (Part F) through the holes in side brackets going into the desktop. Then tighten the screws on crossbars with 4mm Allen wrench(Part E). Use 4mm Allen Wrench(Part E)to install the Handset component(Part B) and the control box

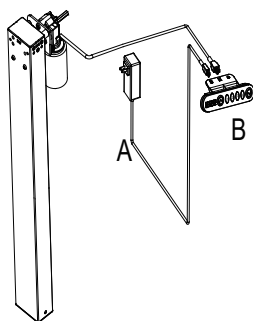
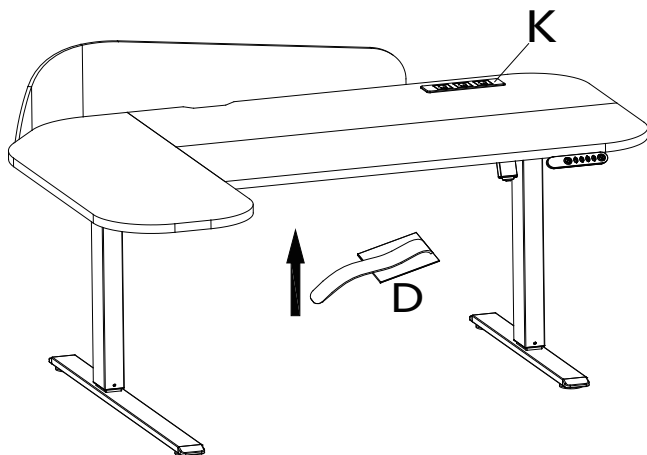
<b>B</b> × 1	<b>E</b> × 1	<b>F</b> × 27	<b>R</b> × 3
Controller	4mm Allen Key	Screws M6X12	Hanging code
		<b>Q</b> × 6	<b>O</b> × 6
		Shim	Screws M6x15



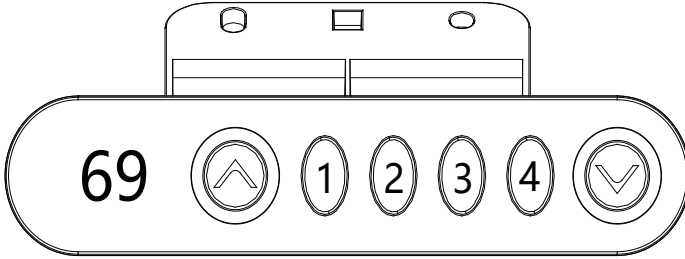
# 8

Connect the wiring with the handset, control box, motor and the power supply. Clip the wires with wire clips(Part D) pasted under the desktop. Then power on to use it.

<b>D</b> × 5
Wire Clips



## DISPLAY INSTRUCTIONS



<b>IMPORTANT</b>	You must <b>RESET</b> the desk prior to use.
RESET Setting	Method 1: Press and hold “^” and “v” buttons on the controller at the same time for seconds until you hear the beep. Release the buttons. The desk will goes automatically until it shows 69, and the reset is successful.
Height Adjustment	Up: Press Up “^” Down: Press Down “v”
Switch Display	Press 2 times“v”when the desk at the lowest position to switch cm to inch
Memory Height	Press and hold any of memory buttons (1,2,3 or 4) until you hear a beep.Release the button, and this position height will be stored in memory. When the working height of memory needs to be used, press the memory position button and the desk will automatically adjust to the memory height. Note:This standing desk has 4 different height memories. The memory positions stored are still valid after power off. You can use the up and down buttons to adjust the standing desk to the height you need to work.

### Troubleshooting Guide:

If your standing desk does not work properly, you may need to reset it. If any error codes appears, you need to reset it.

### Maintenance and Consideration:

1. During daily maintenance, use a clean soft cloth to remove surface dust. Do not use a wet cloth or hard material to wipe the surface of the table.  
Avoid contacting the surface with acid-based chemicals.
2. For slight scratches, gently wipe with a soft cloth, you can smooth out scratches.  
Avoid attaching tape directly to the outer surface of the metalfeet to prevent paint from peeling