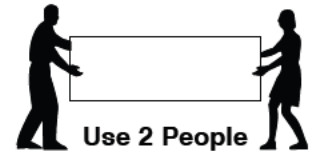
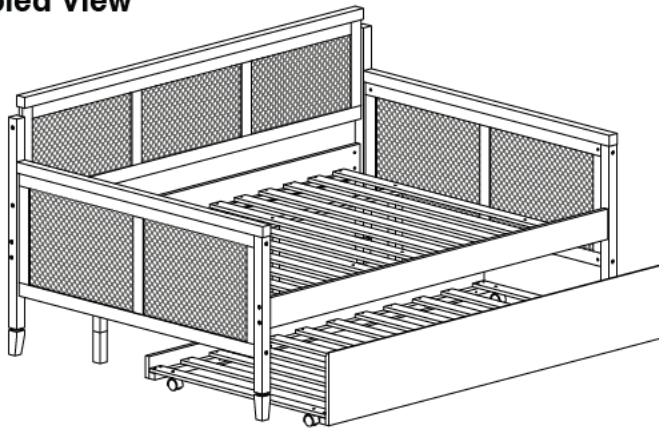


Full Daybed

Assembly Instructions

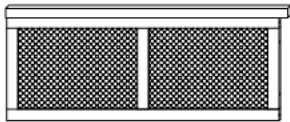
WII-0720

1 Assembled View

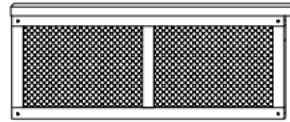


Note: Do not assemble using power tools. This can cause the bolts to be overtightened

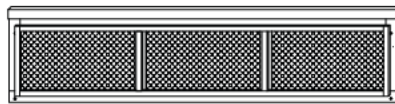
2 Parts in this Box



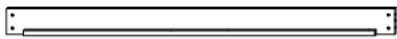
A Side Panel (Left Hand) x 1



B Side Panel (Right Hand) x 1



C Back Panel x 1



D Side Rail x 2



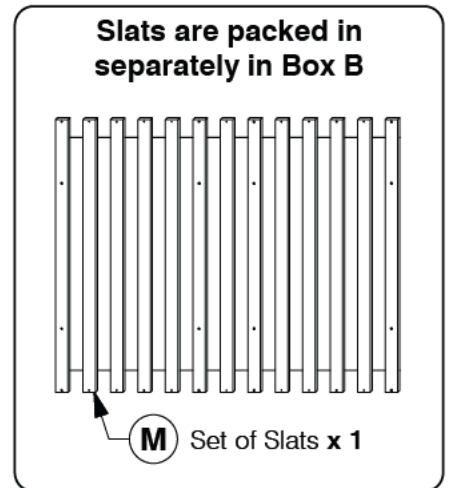
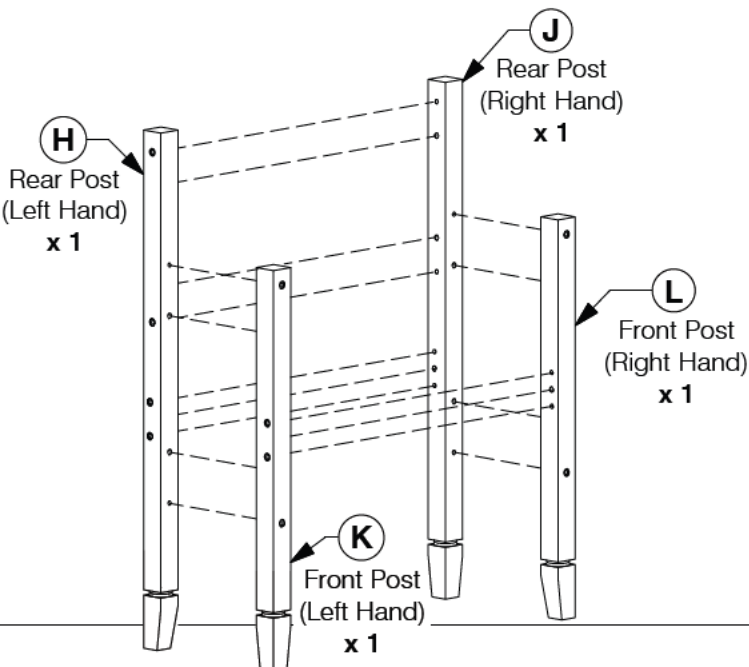
E Long Support x 1



F Support Leg x 4



G Mini Support Leg x 4



3 Hardware in this Box



1 M6 x 90mm JCB x 28



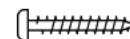
4 Barrel Nut x 24



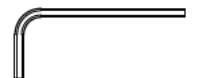
2 M6 x 40mm JCB x 8



5 Wood Dowel (10 x 40mm) x 16



3 Wood Screw (M4 x 32mm) x 18



6 Allen Key x 1

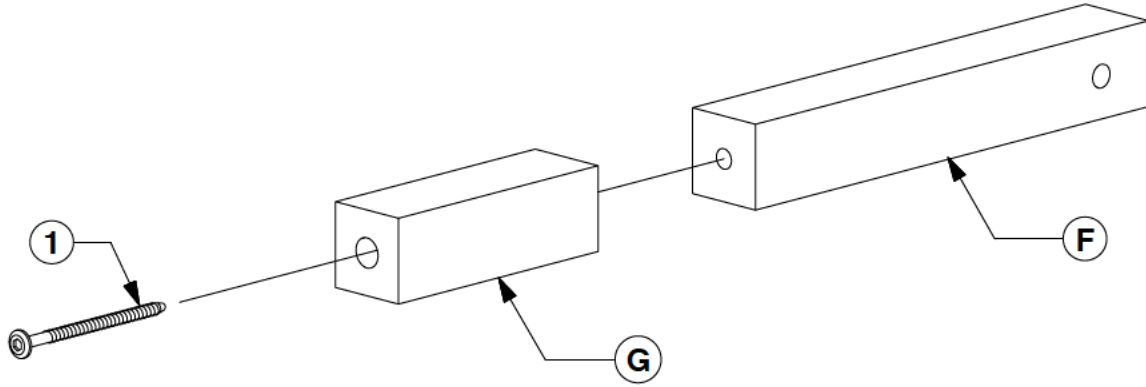
Full Daybed

Assembly Instructions

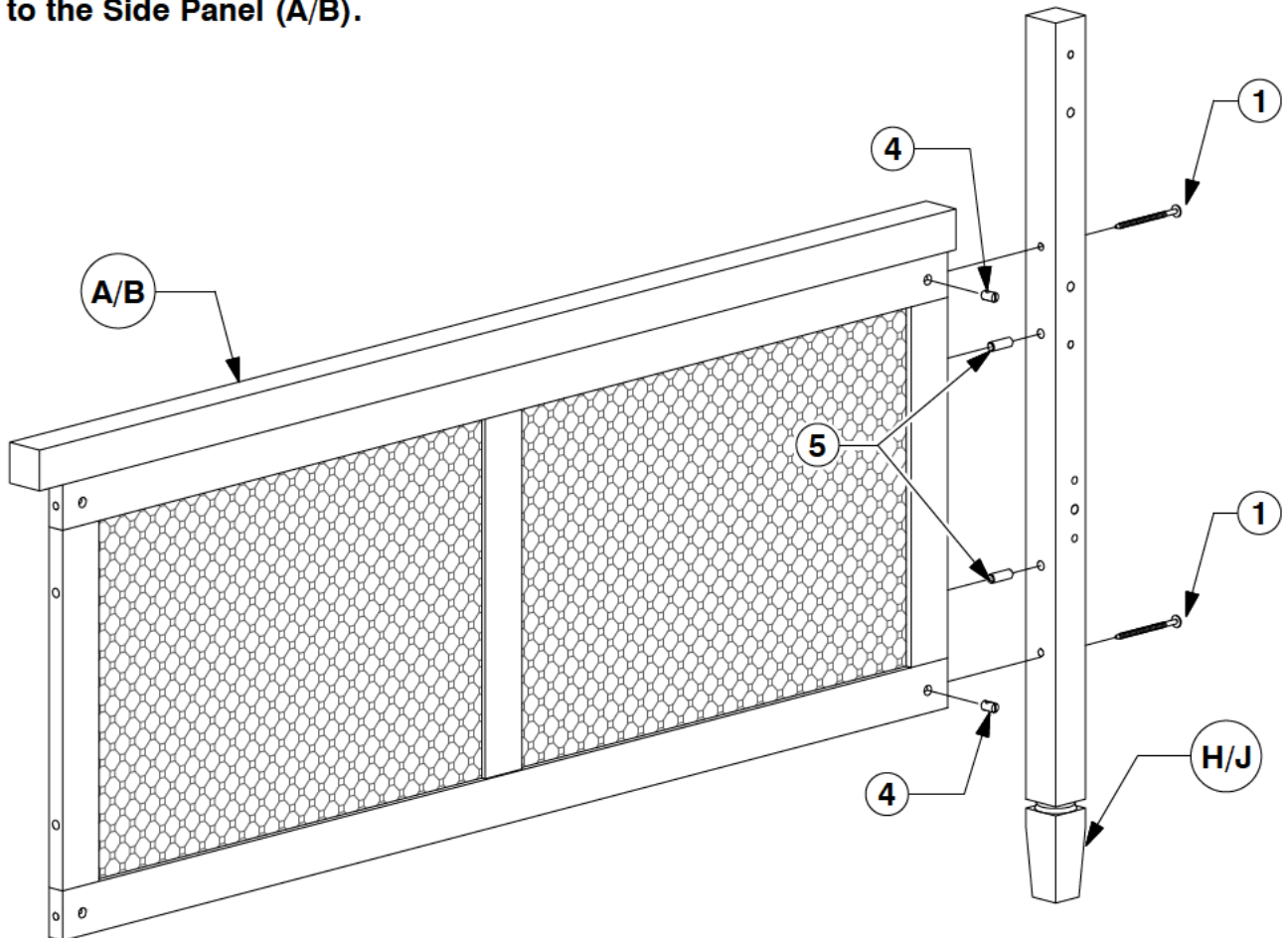
WI-0720

- 4** Fit the Mini Support Leg (G) to the Support Leg (F).

x4



- 5** Assemble the Rear Post (H/J) to the Side Panel (A/B).

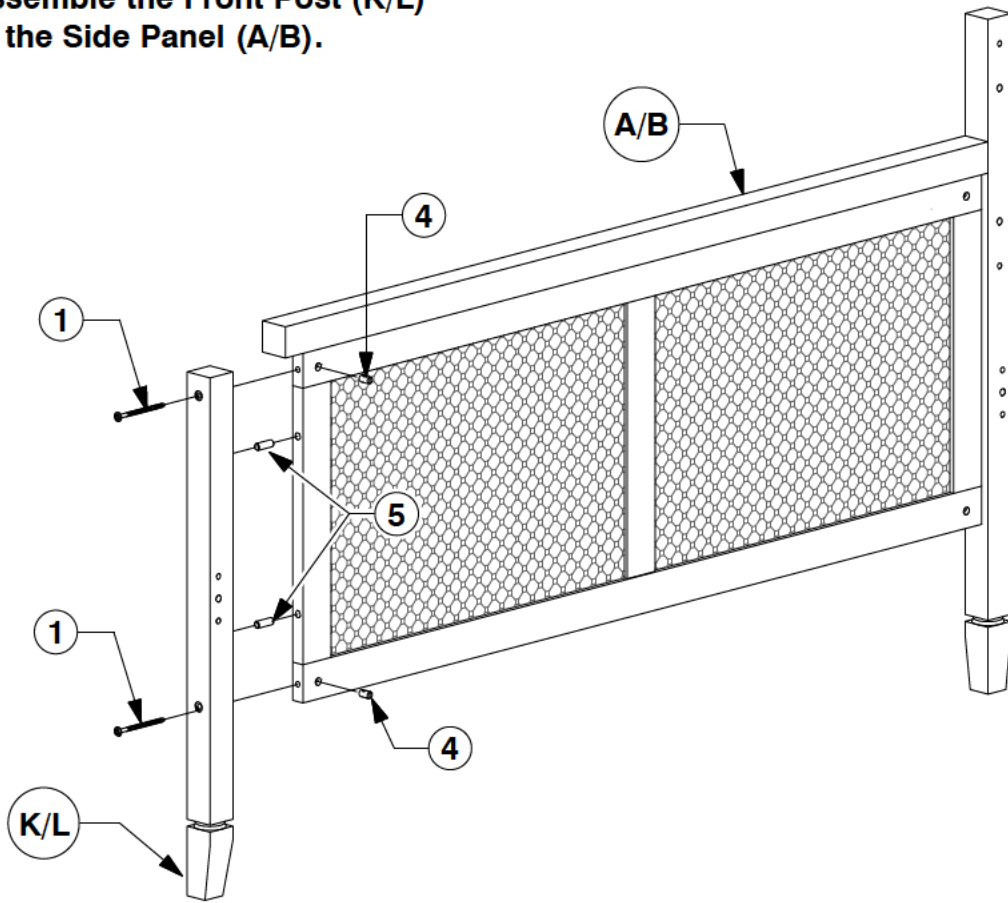


Full Daybed

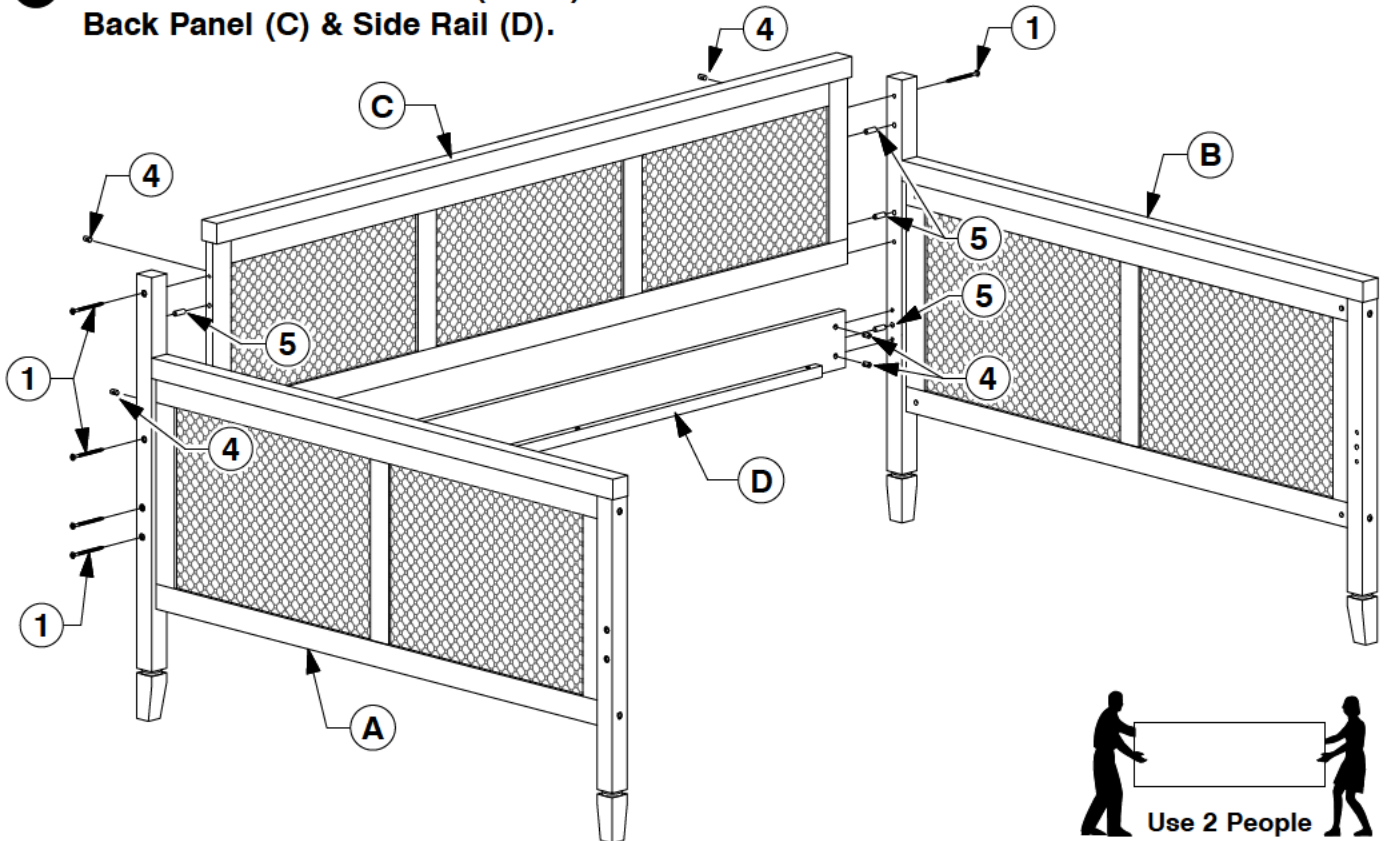
Assembly Instructions

W11-0720

- 6 Assemble the Front Post (K/L) to the Side Panel (A/B).**



- 7 Assemble the Side Panel (A & B) to the Back Panel (C) & Side Rail (D).**

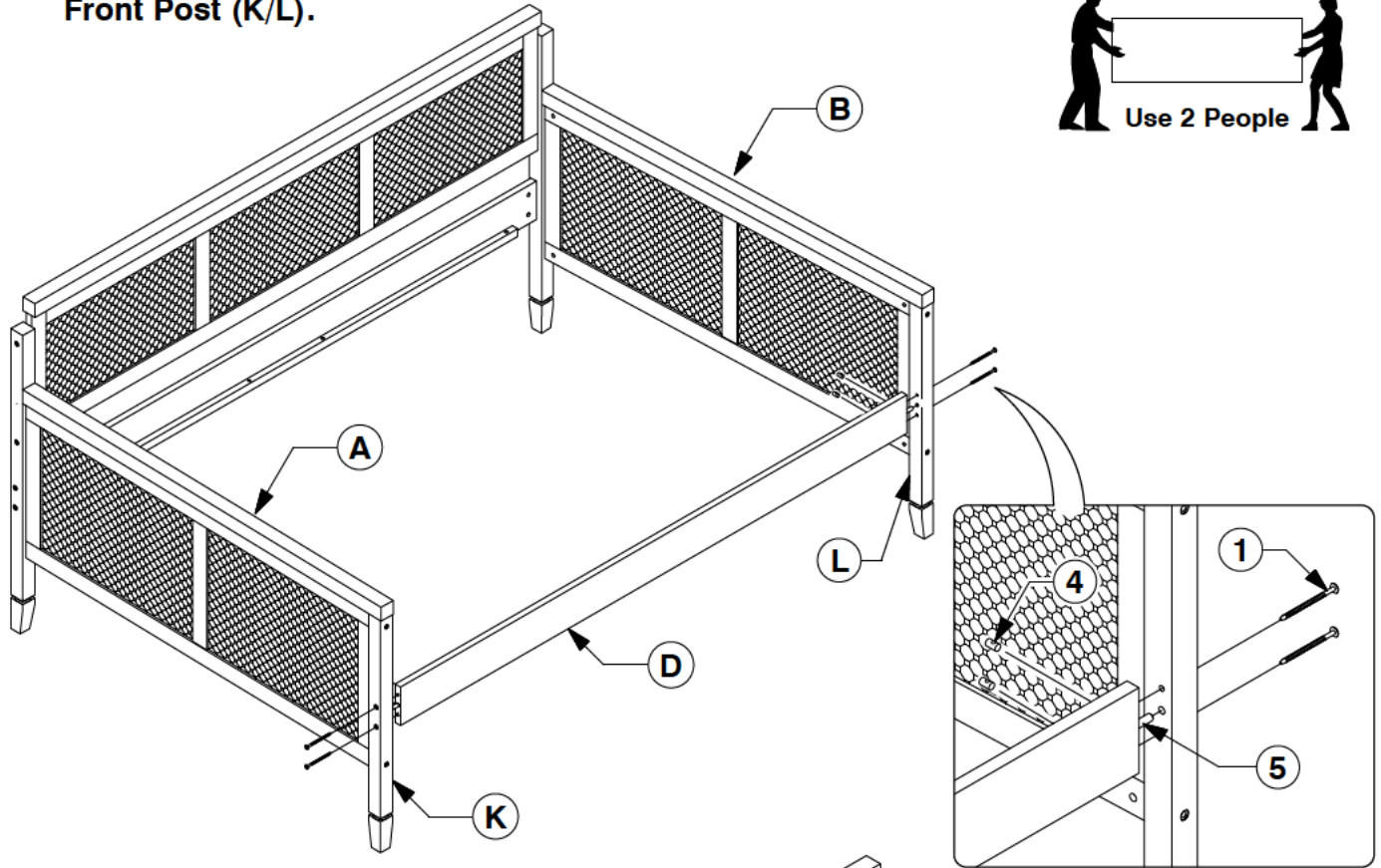


Full Daybed

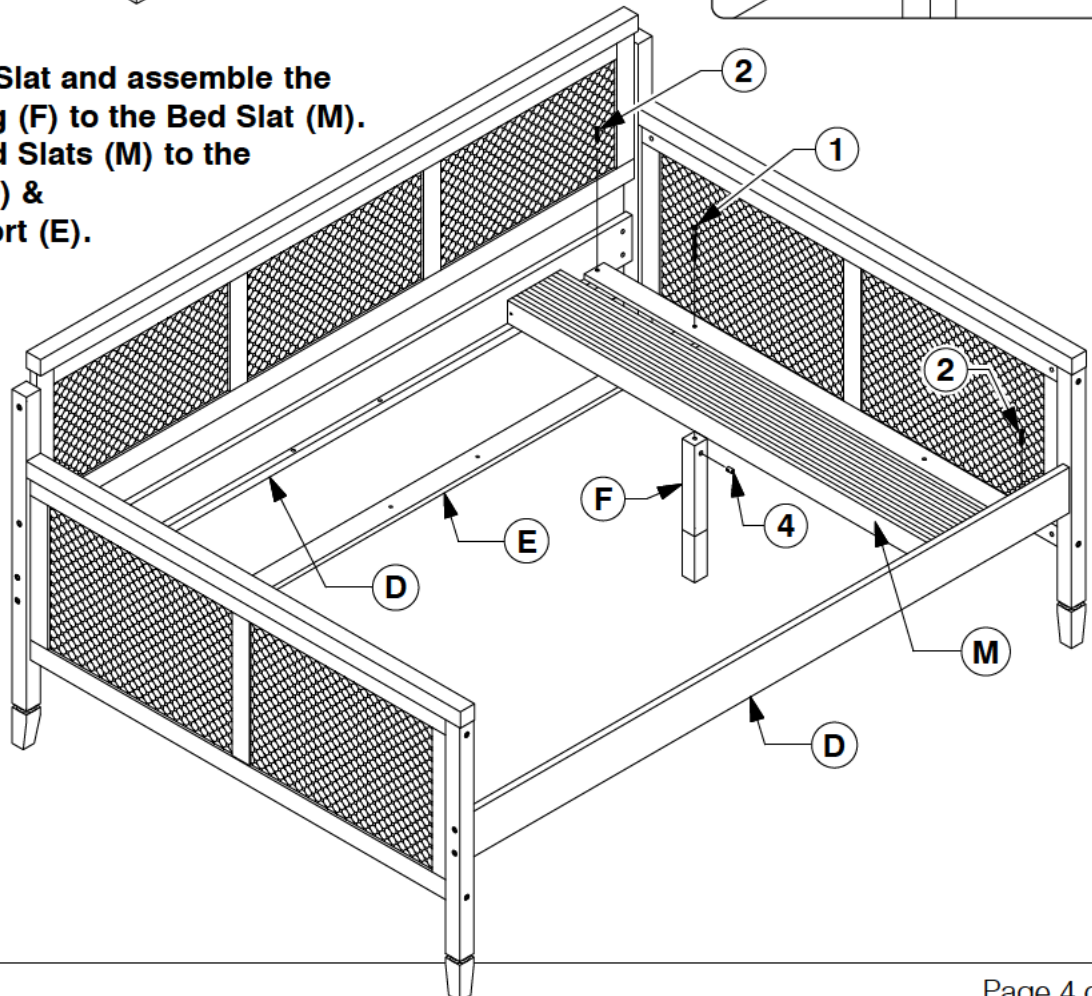
Assembly Instructions

W11-0720

- 8** Assemble the Side Rail (D) to the Front Post (K/L).



- 9** Fit the first Slat and assemble the Support Leg (F) to the Bed Slat (M). Bolt the Bed Slats (M) to the Side Rail (D) & Long Support (E).

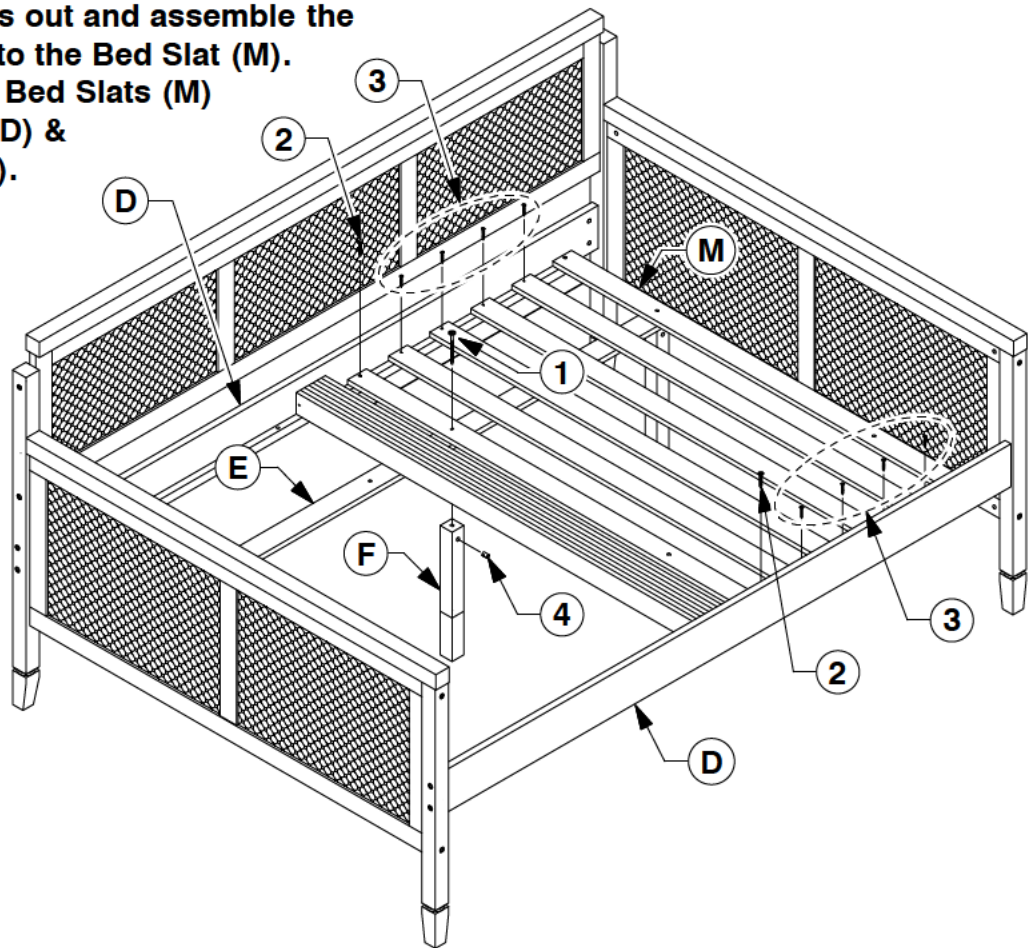


Full Daybed

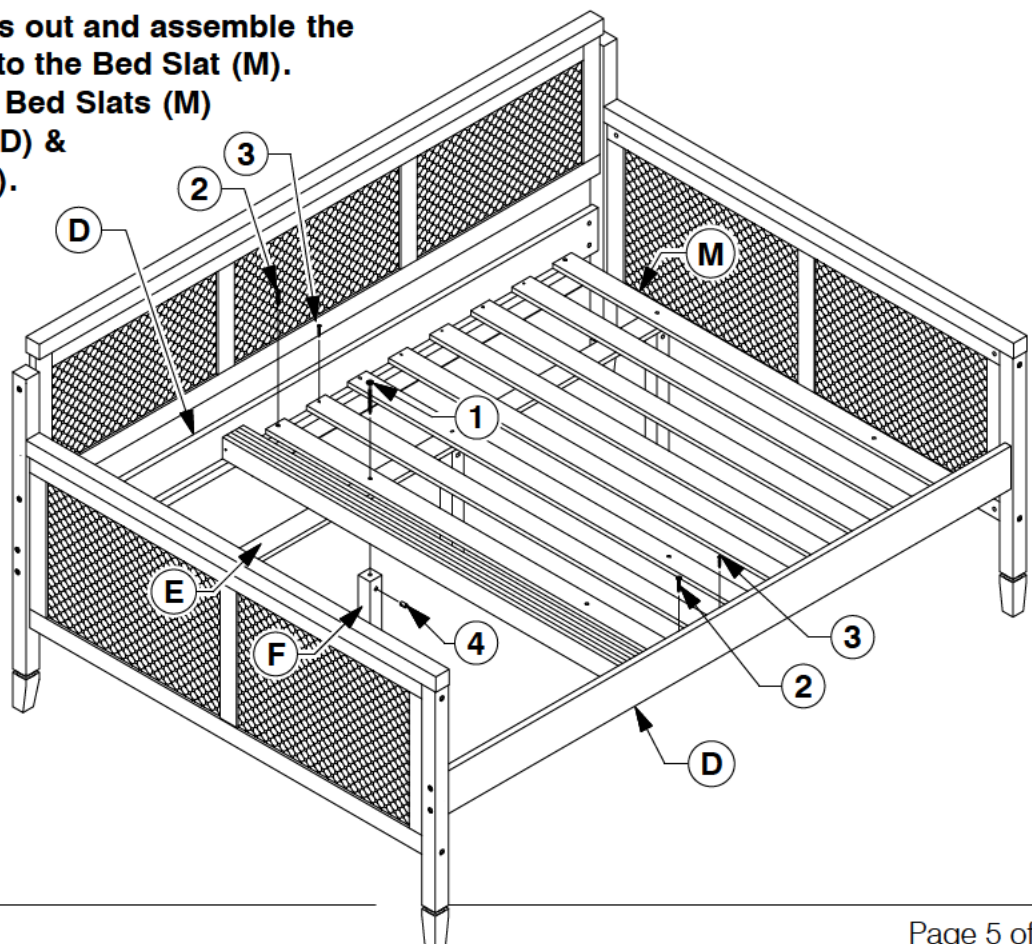
Assembly Instructions

W11-0720

- 10** Fit the other Slats out and assemble the Support Leg (F) to the Bed Slat (M). Bolt & screw the Bed Slats (M) to the Side Rail (D) & Long Support (E).



- 11** Fit the other Slats out and assemble the Support Leg (F) to the Bed Slat (M). Bolt & screw the Bed Slats (M) to the Side Rail (D) & Long Support (E).

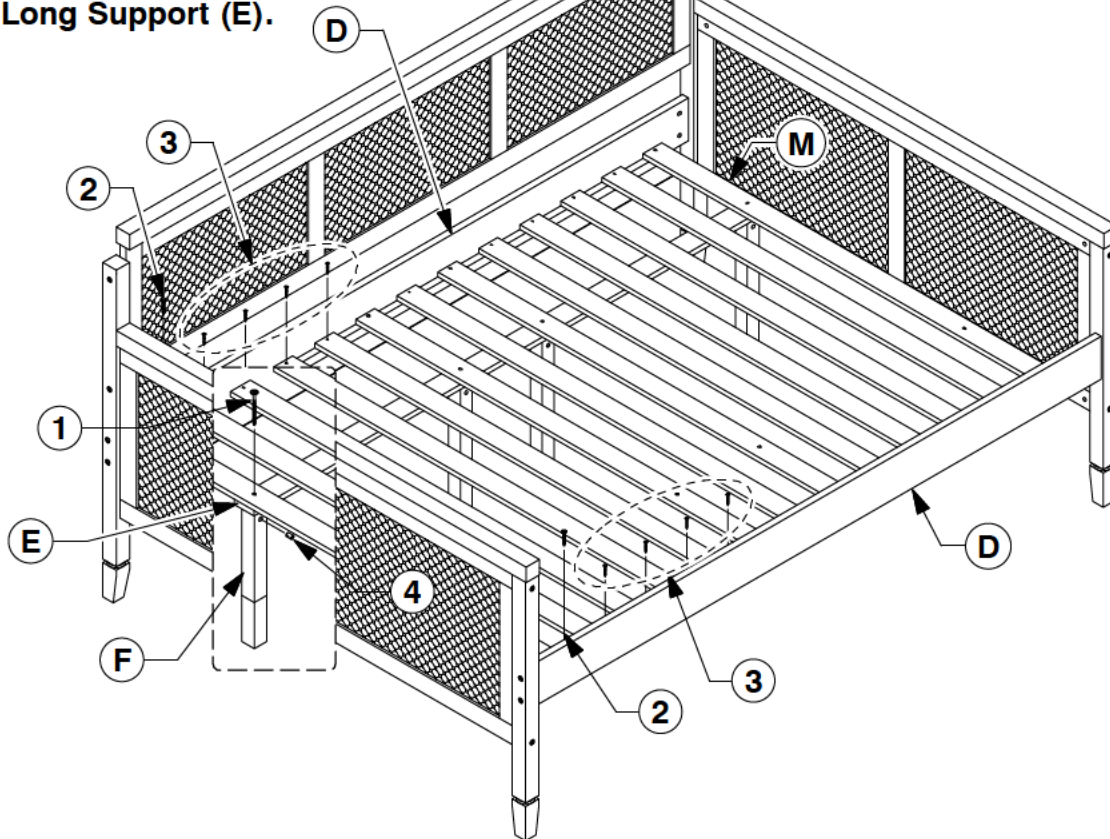


Full Daybed

Assembly Instructions

W11-0720

- 12** Assemble the Support Leg (F) and bolt & screw the remaining Bed Slats (M) to the Side Rail (D) & Long Support (E).



- 13** Finally, fit the assembled trundle.

