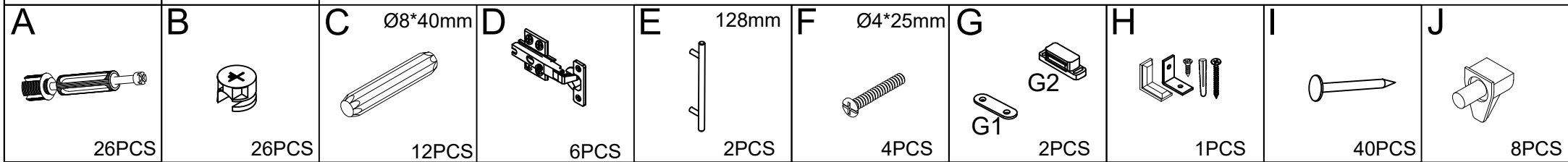
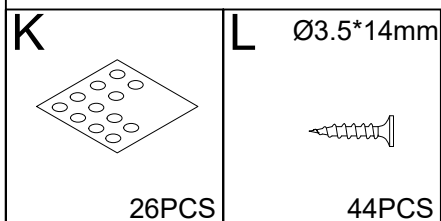
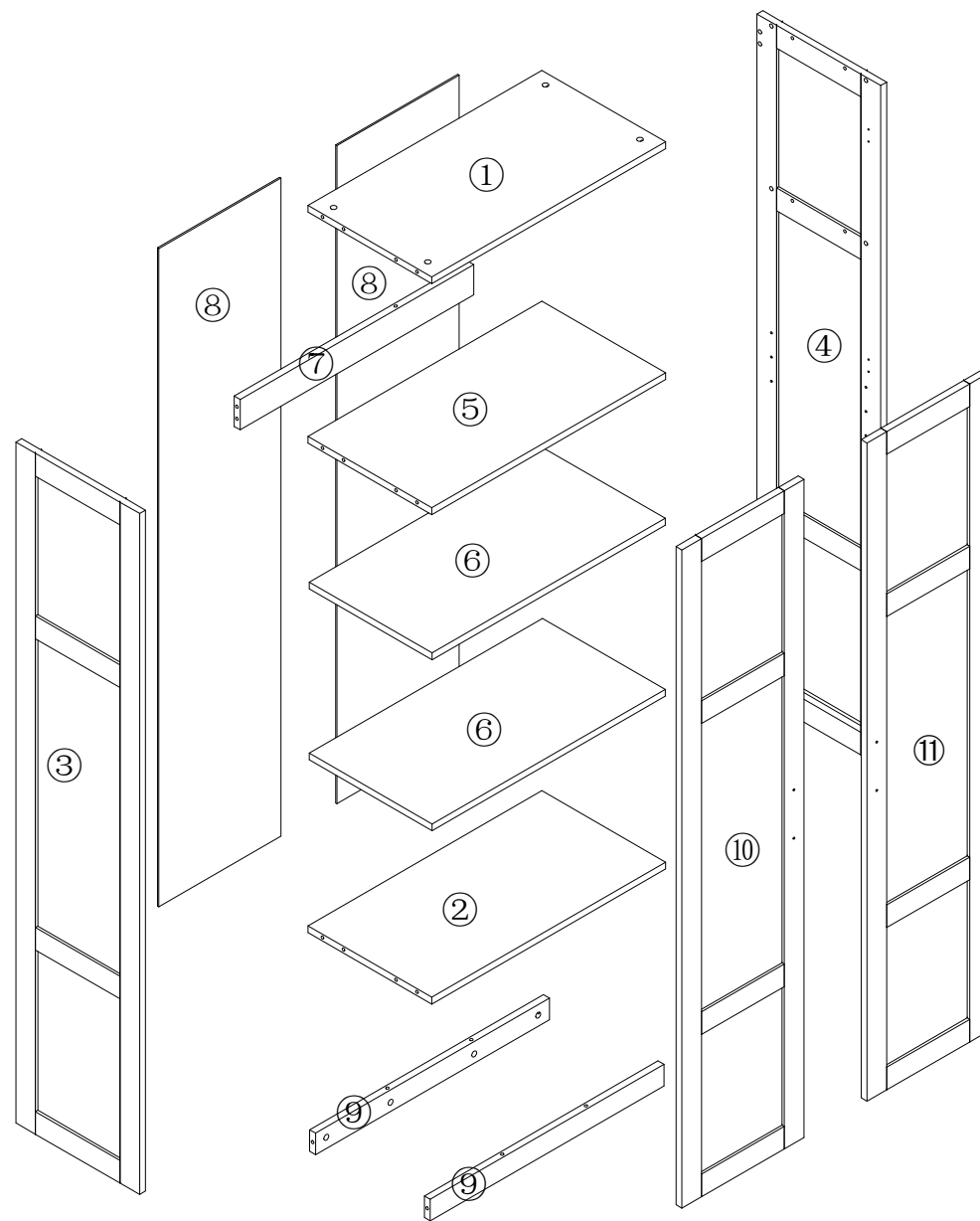
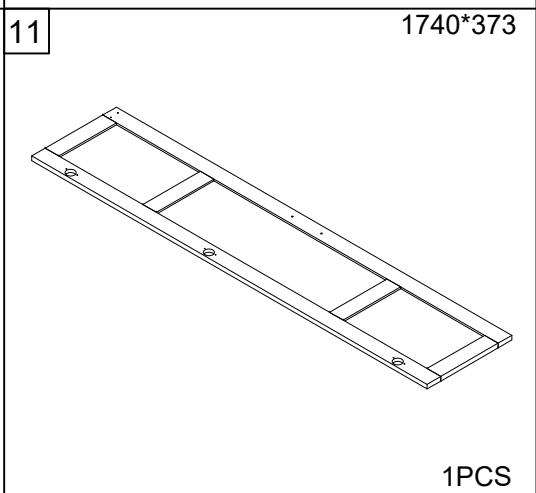
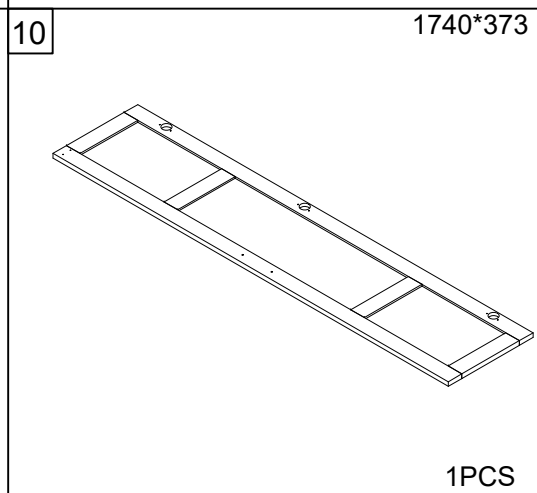
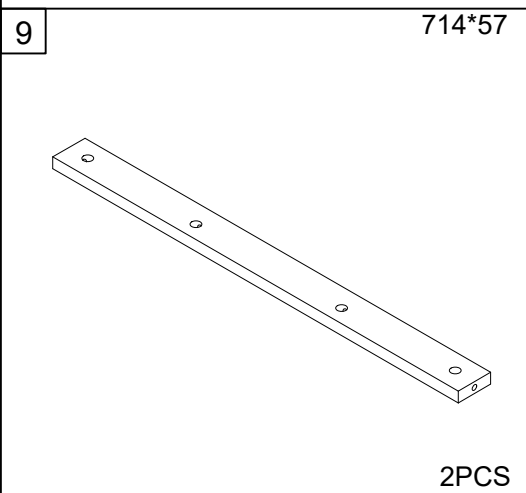
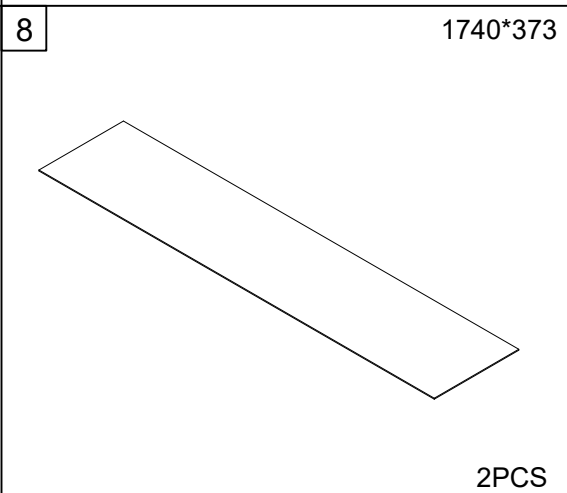
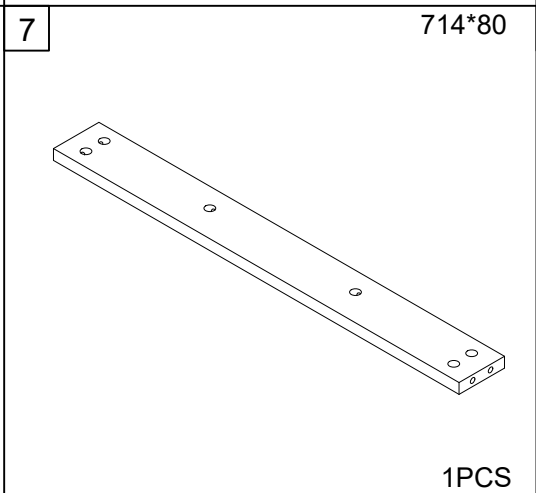
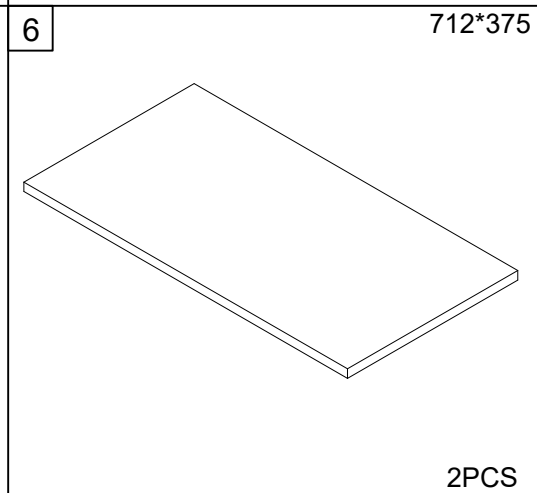
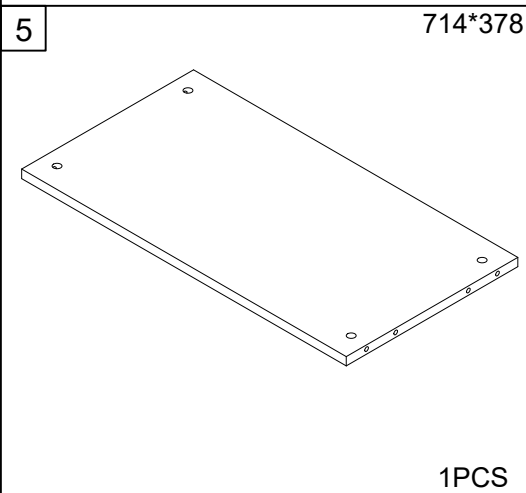
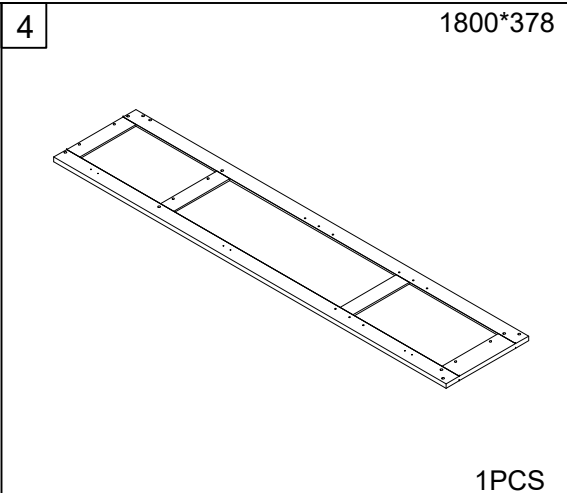
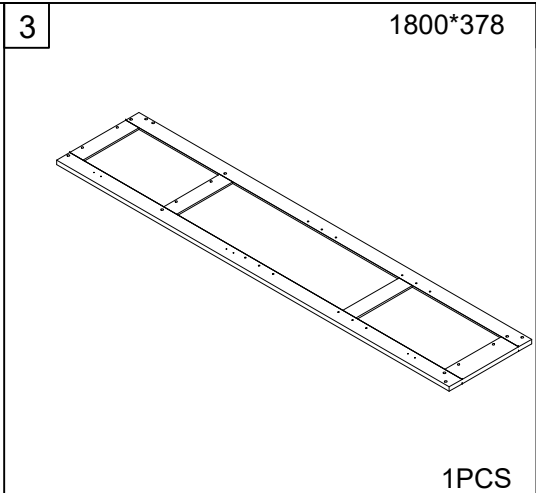
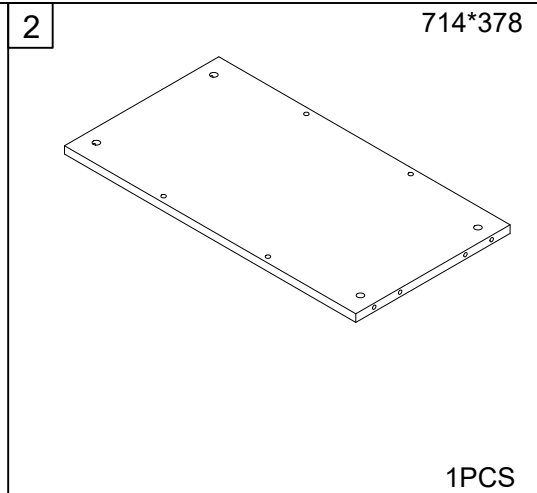
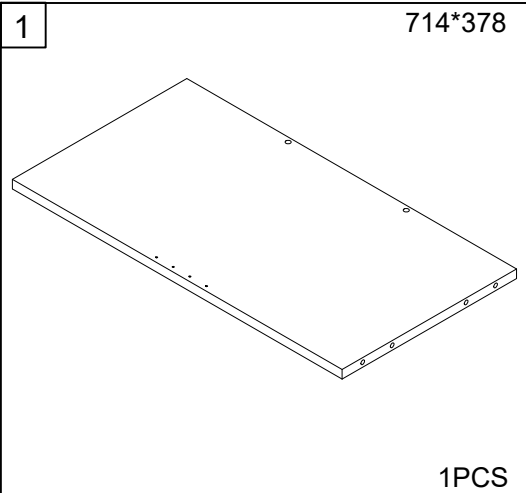


Installation & Assembly



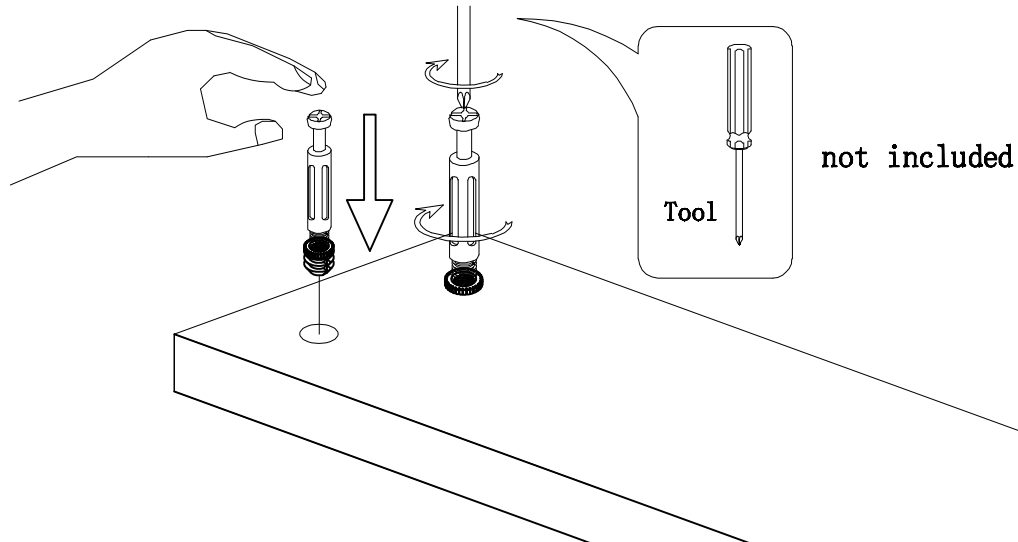




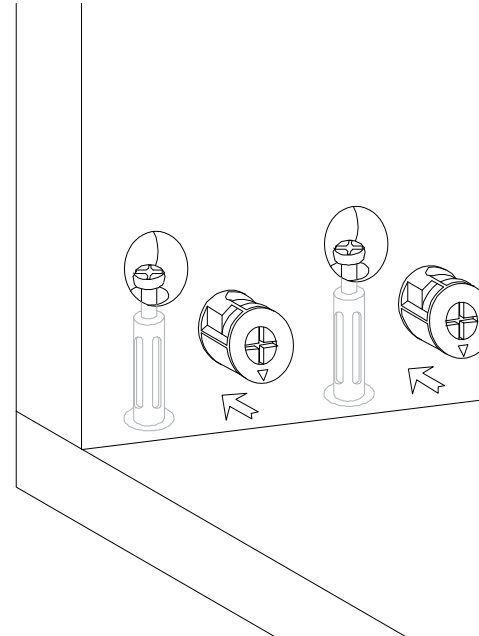
Hardware installation demonstration

NOTE: Please make sure "A" hardware tightened and can't be pulled out!

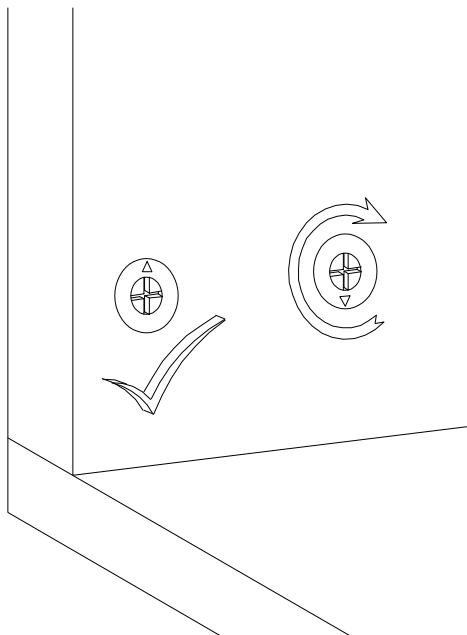
I



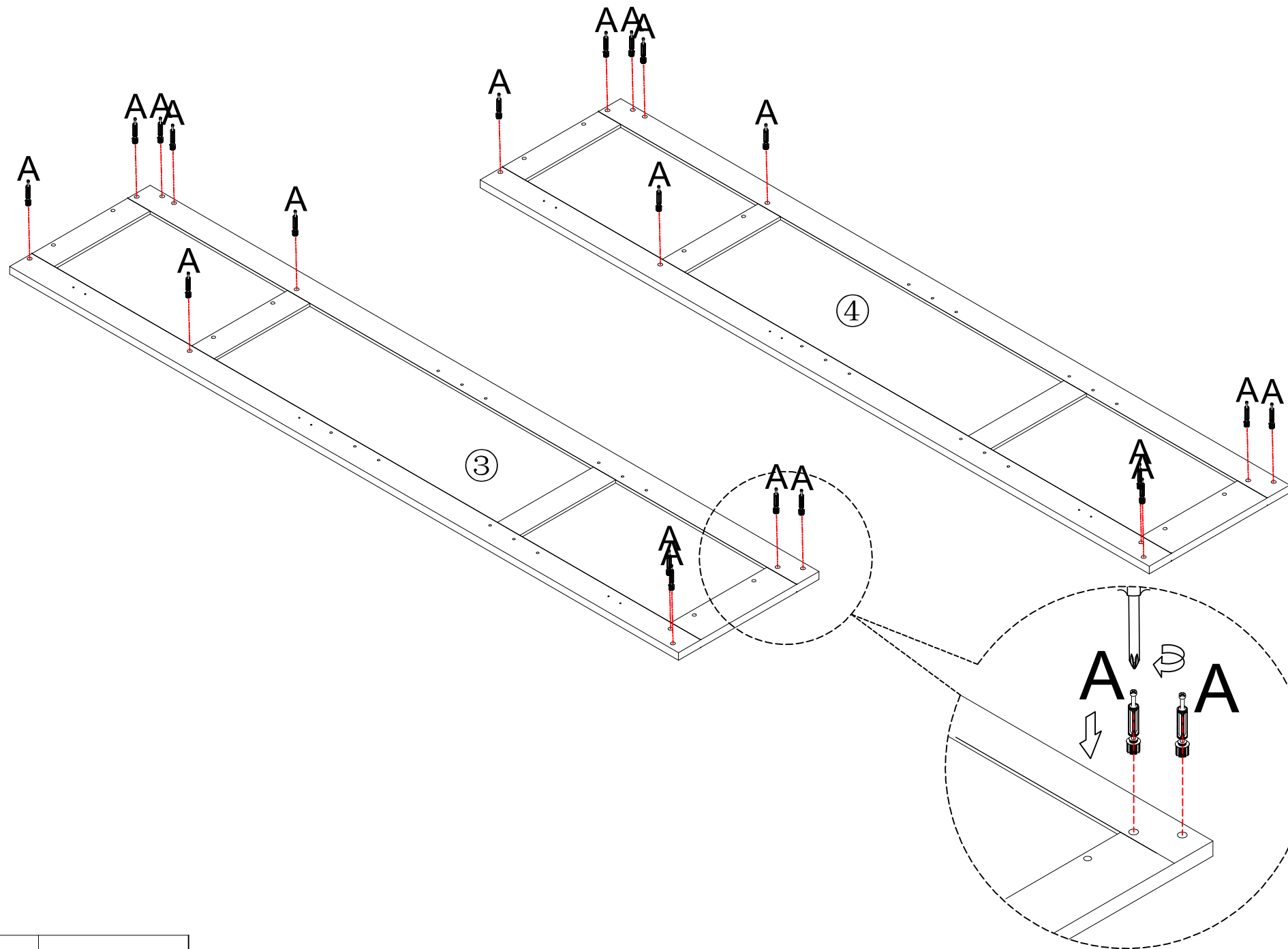
II



III



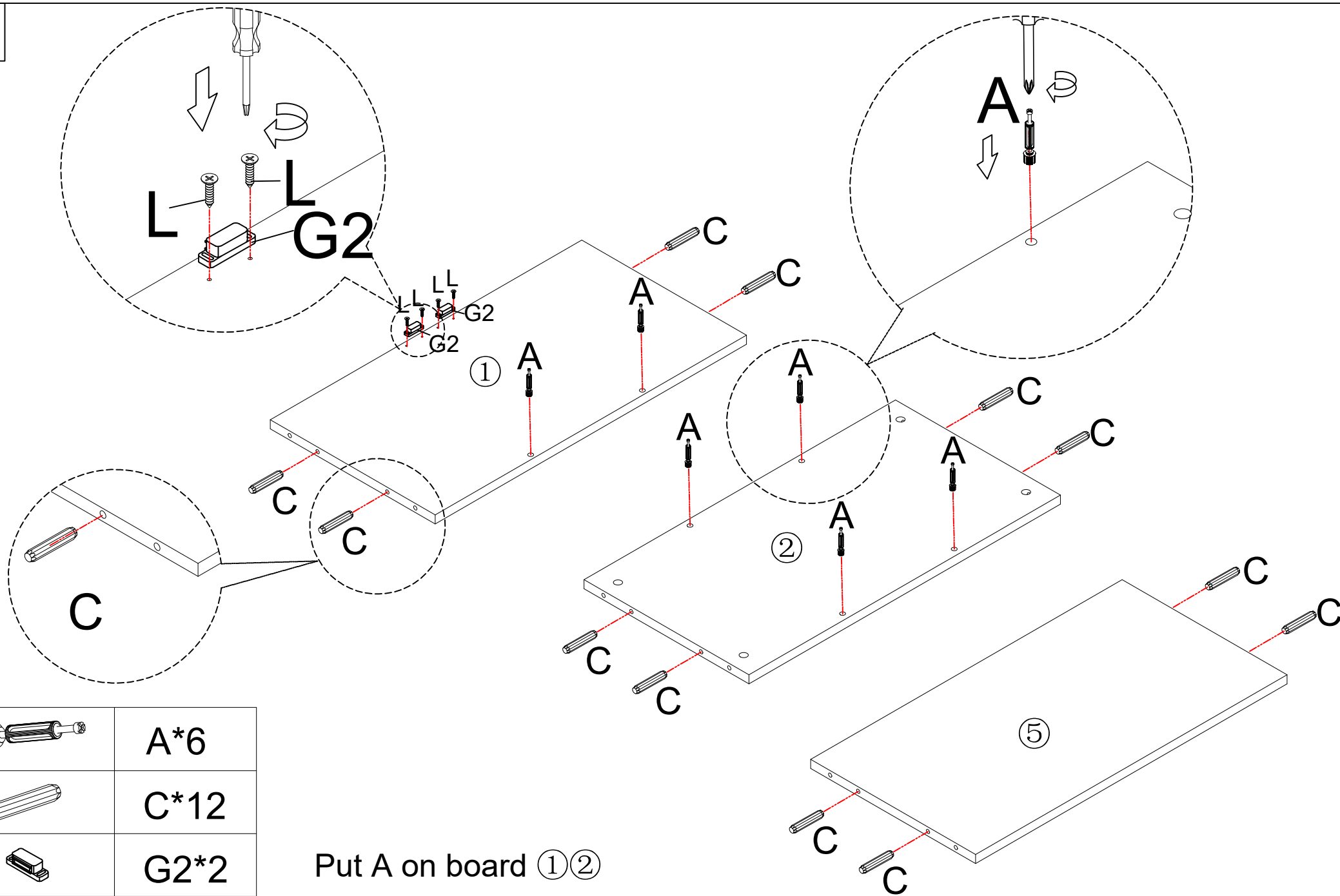
1




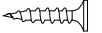


A*20

Put A on board ③④

2

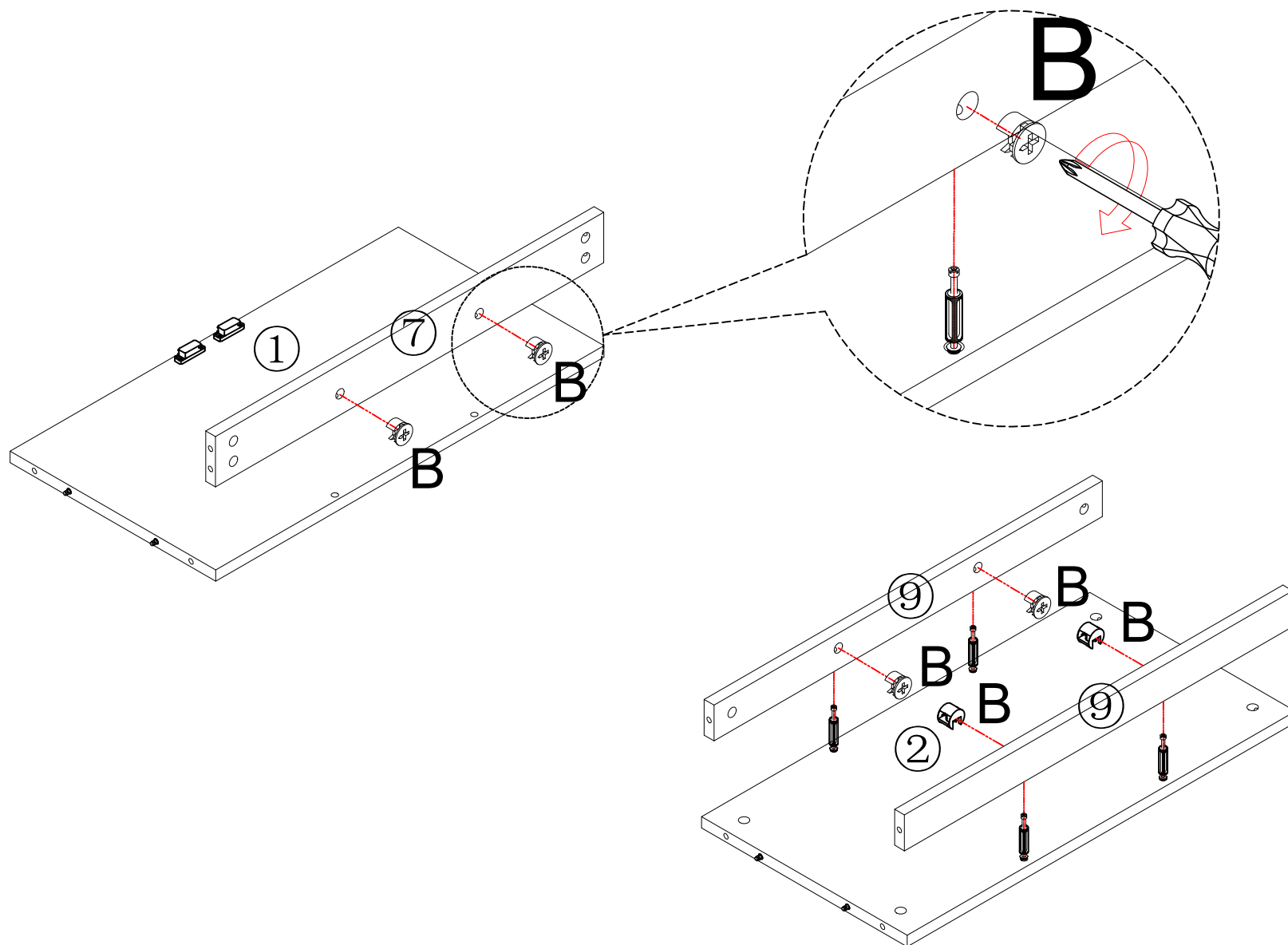


	A*6
	C*12
	G2*2
	L*4

Put A on board ①②

Put C on board ①②⑤

3 Make sure the arrow on the screw align to the hole on the side

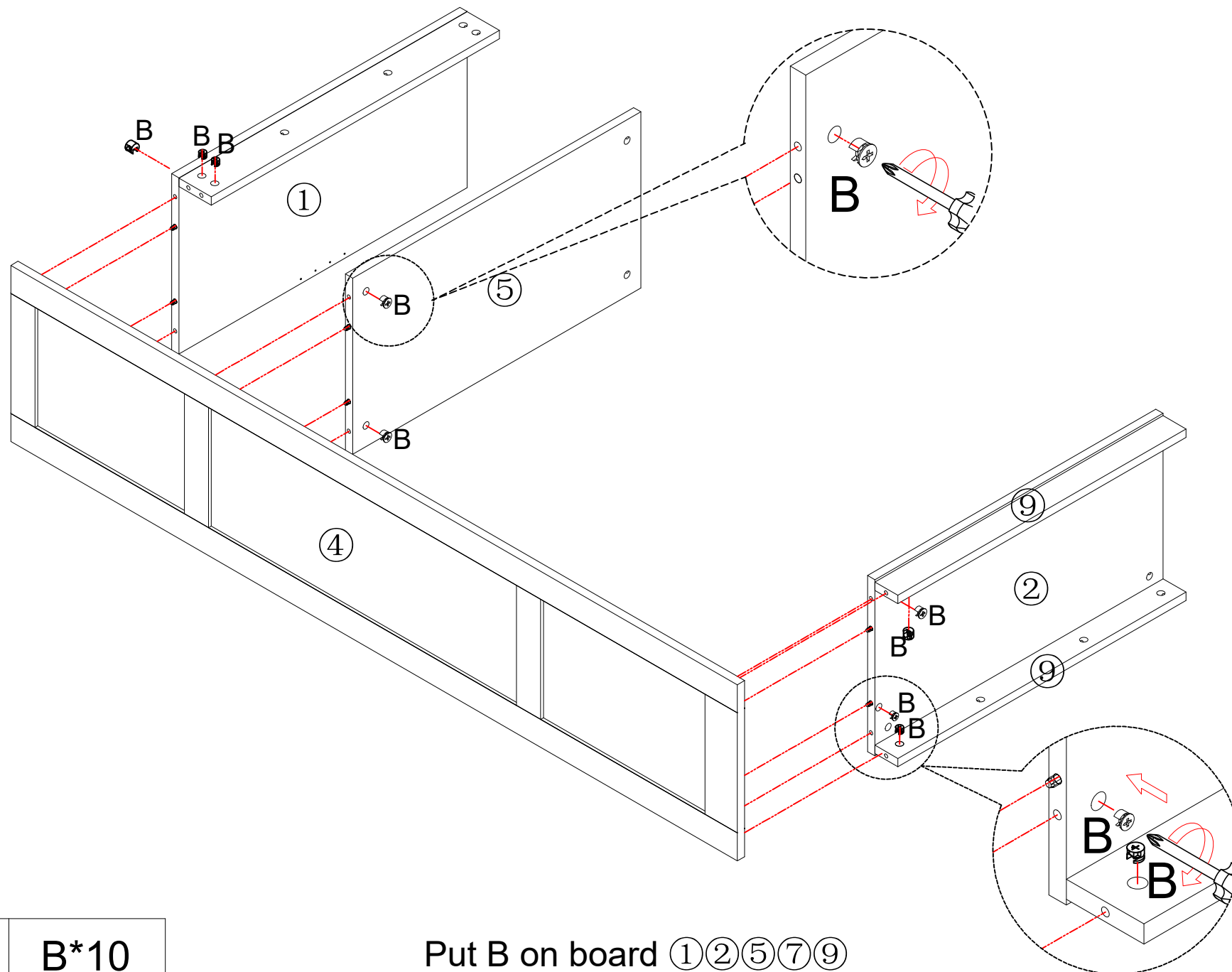


B*6

Put B on board ⑦⑨

4

Make sure the arrow on the screw align to the hole on the side

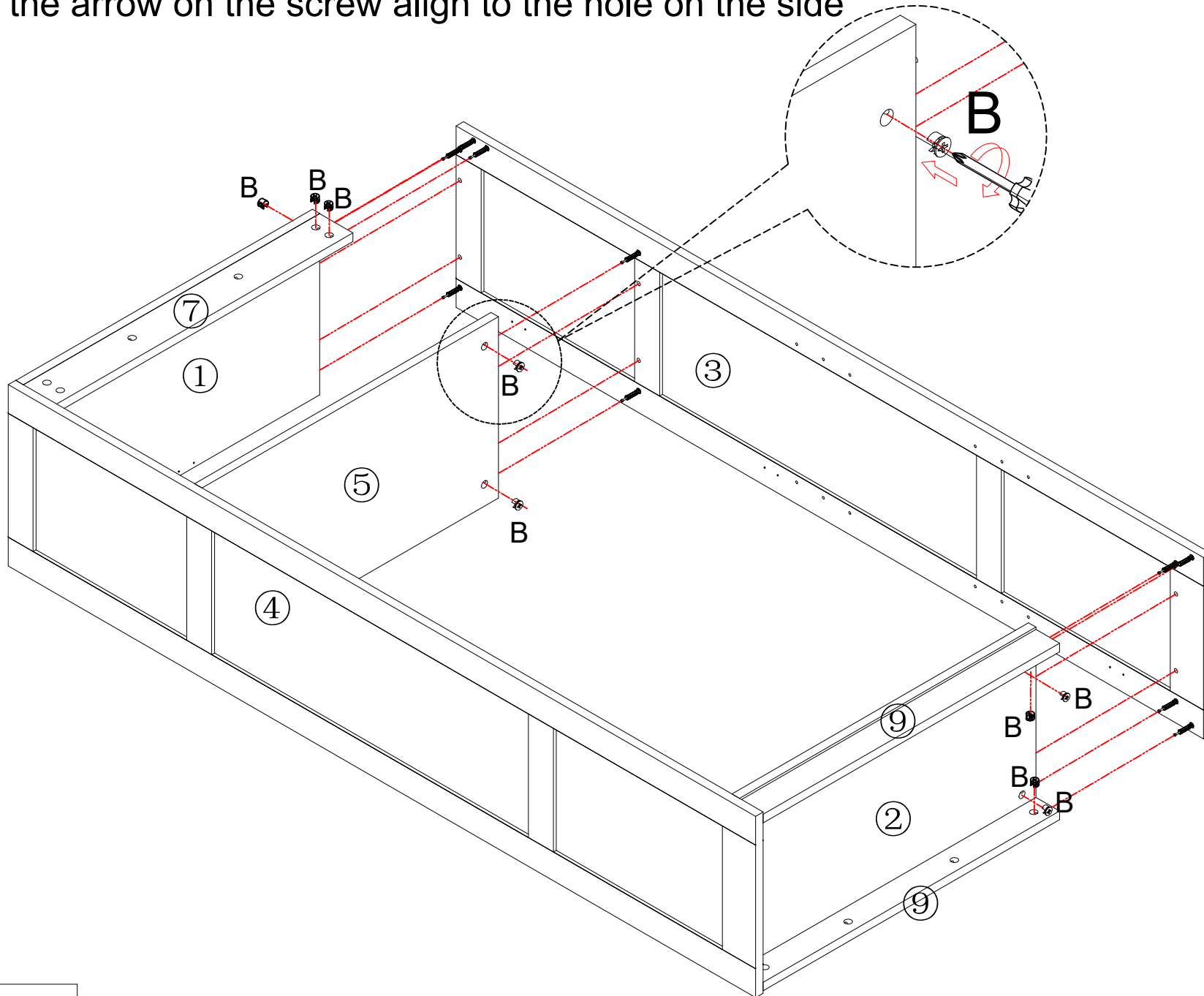


B*10

Put B on board ①②⑤⑦⑨

5

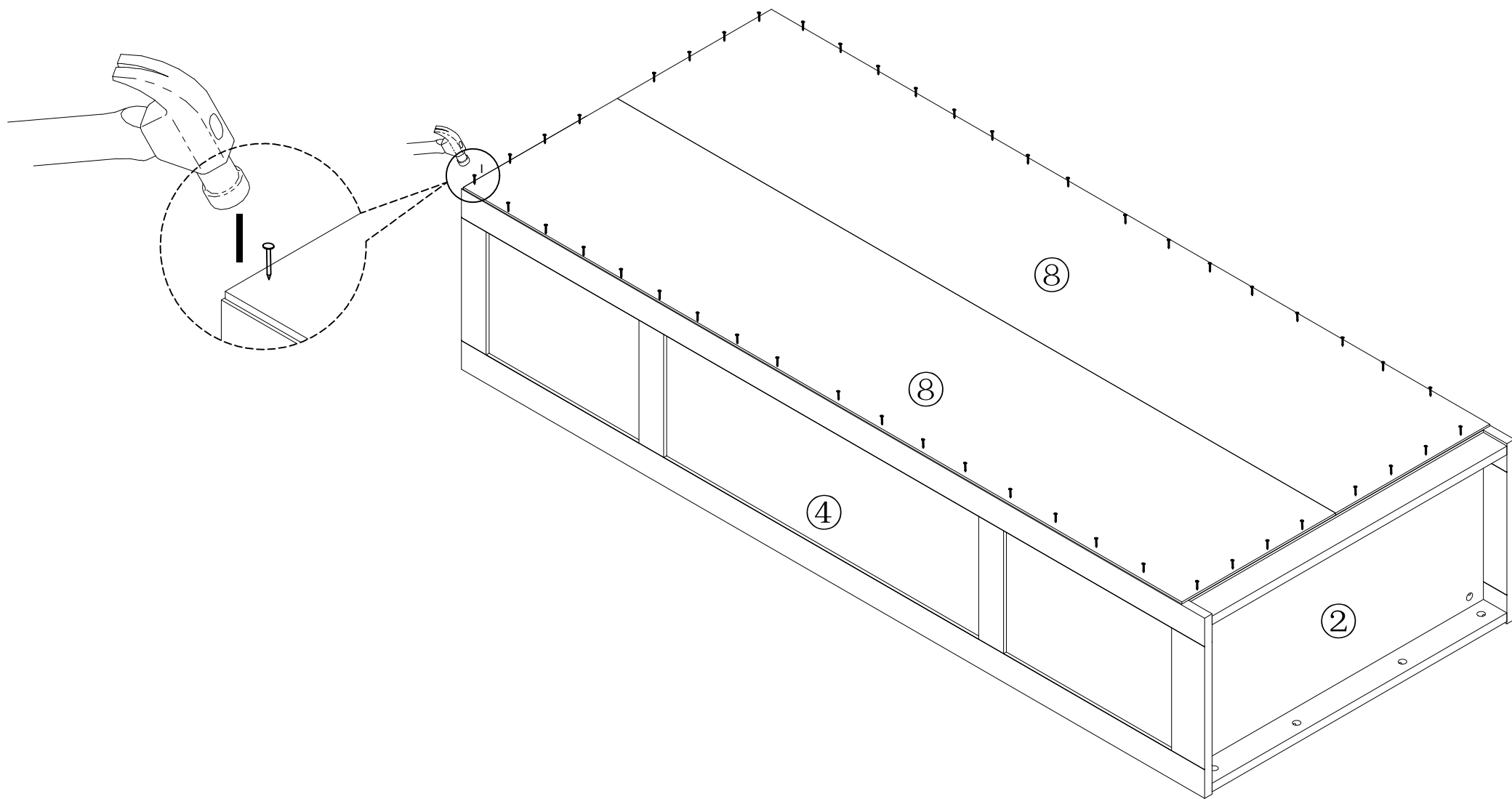
Make sure the arrow on the screw align to the hole on the side



B*10

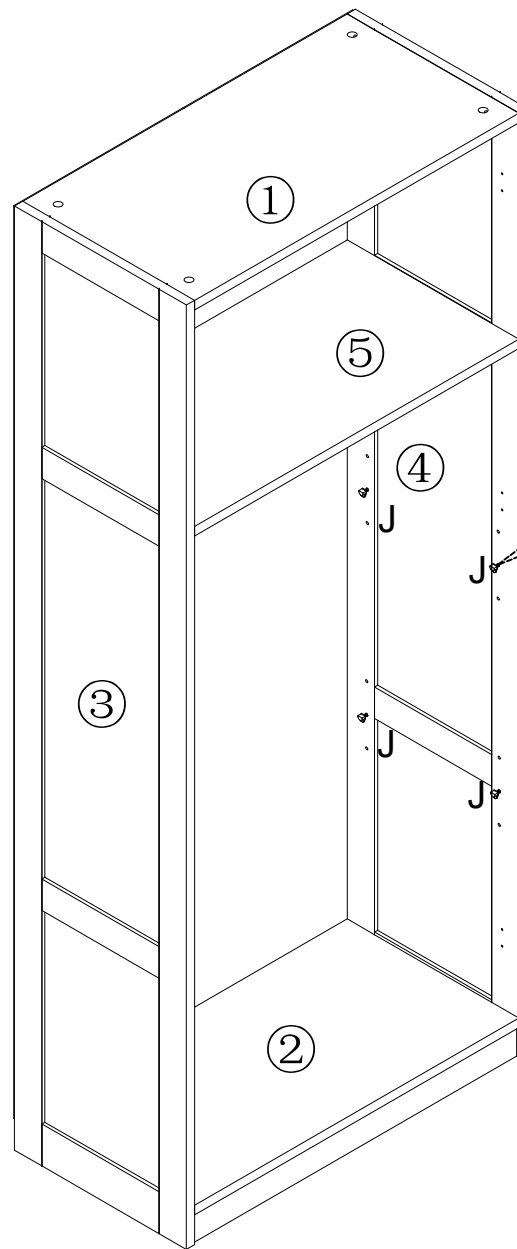
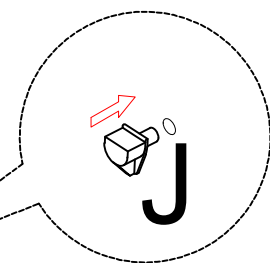
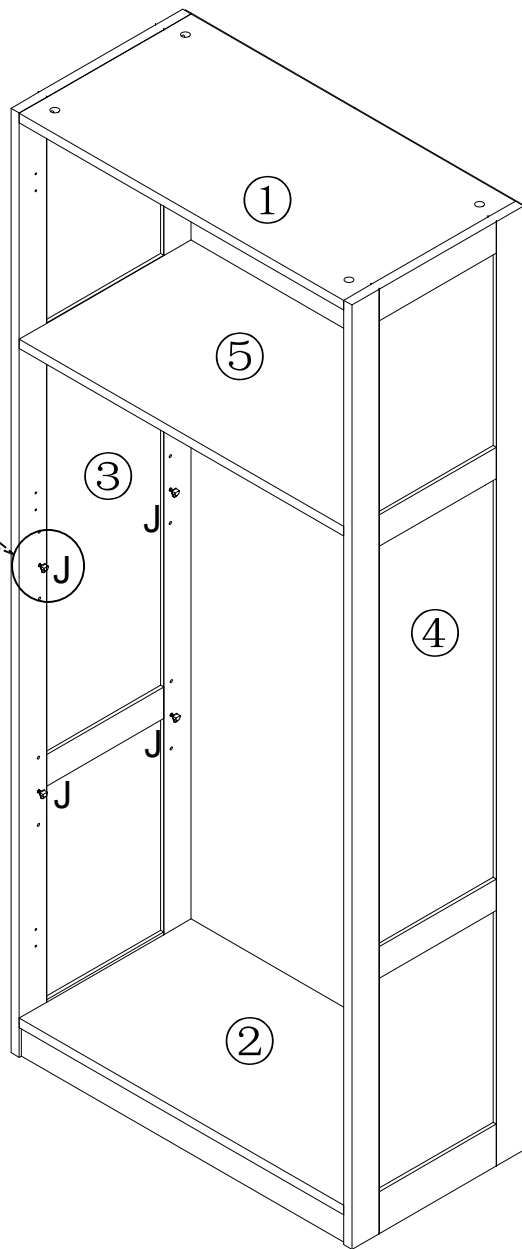
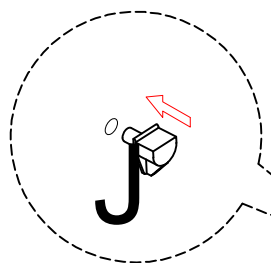
Put B on board ①②⑤⑦⑨

6



1*40

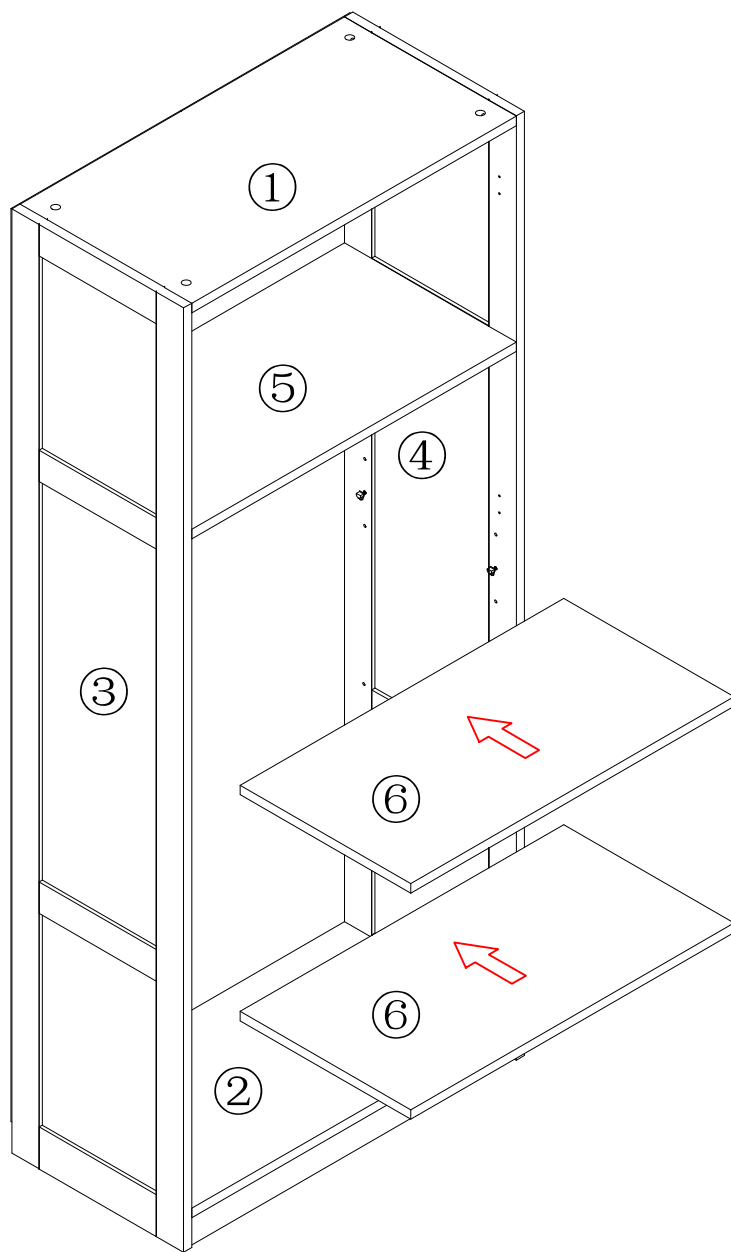
7



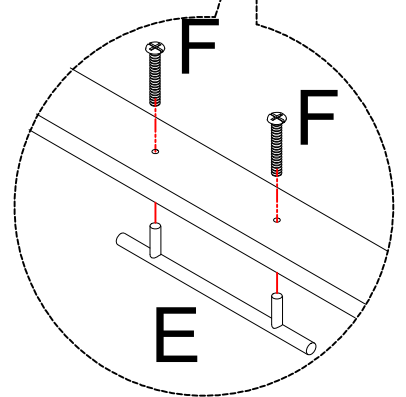
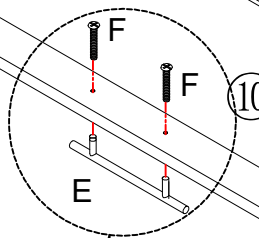
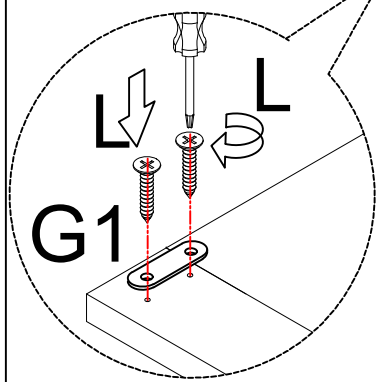
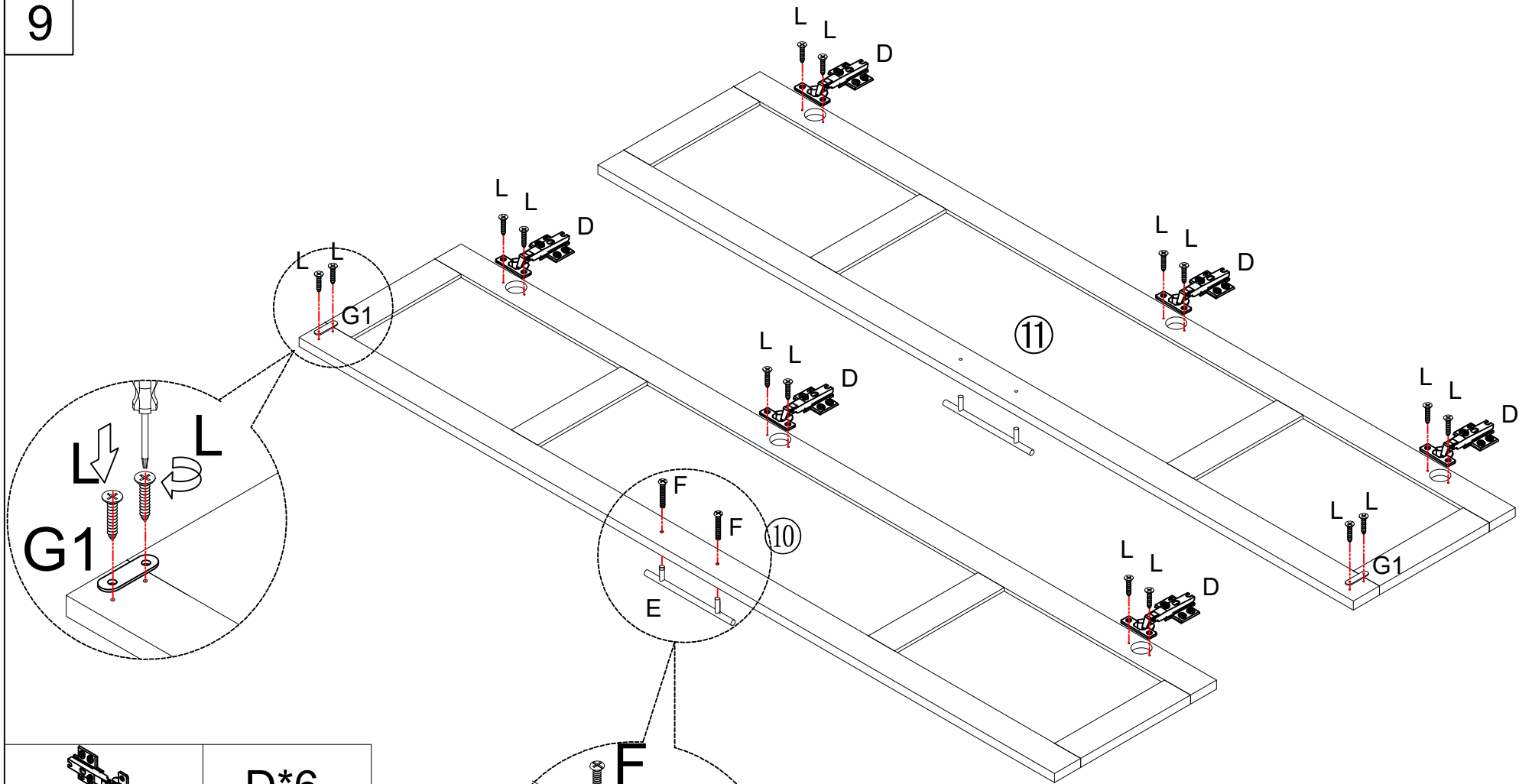
J*8


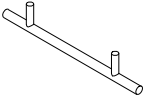


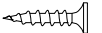
Put J on board ③④

8

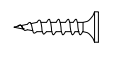
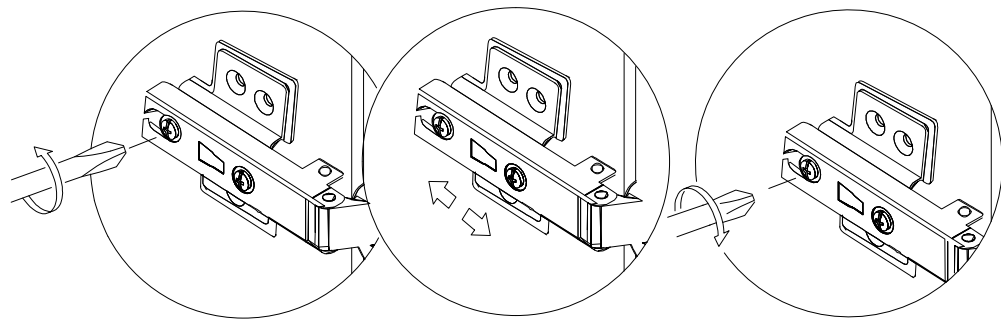
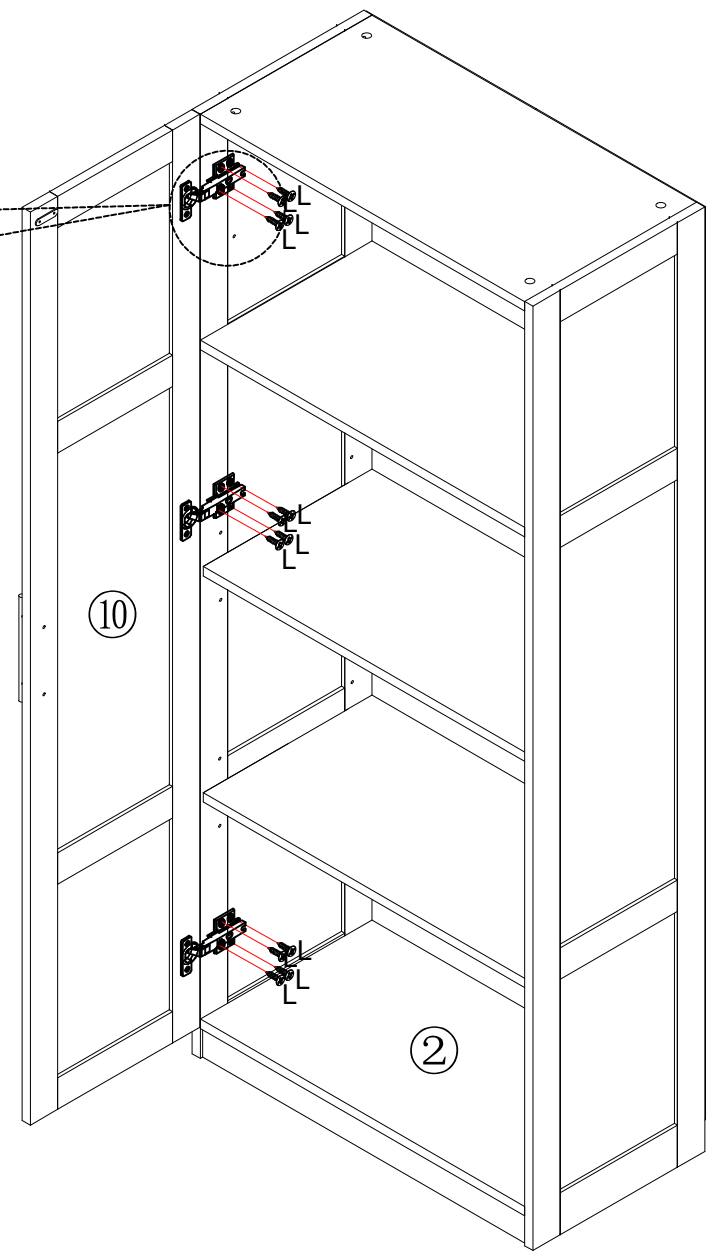
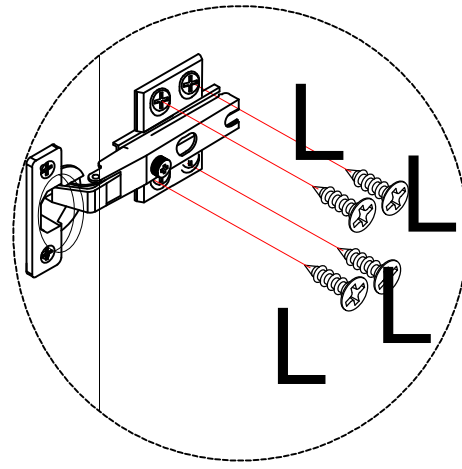


9



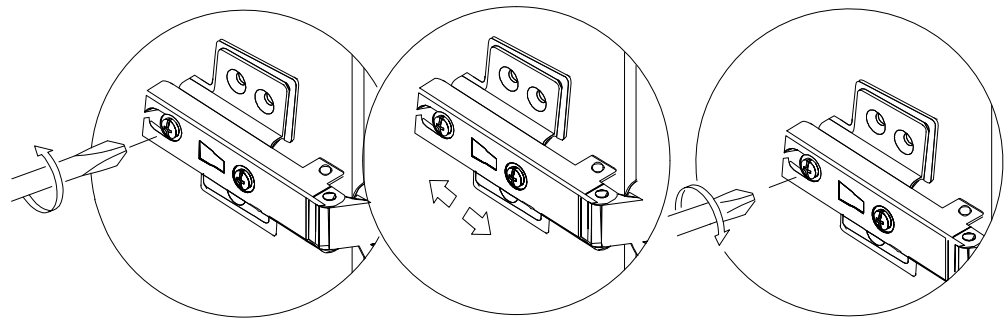
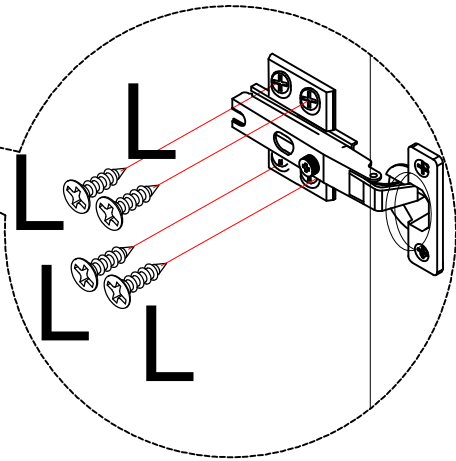
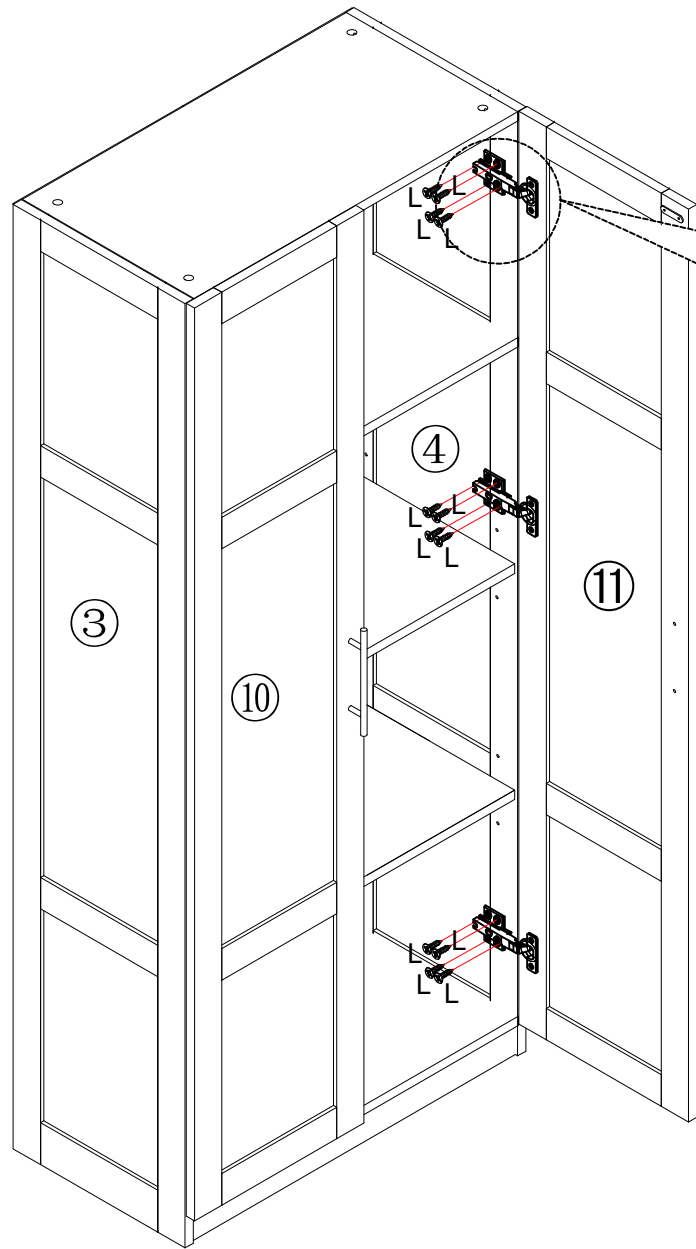
	D*6
	E*2
	F*4
	G1*2
	L*16

10



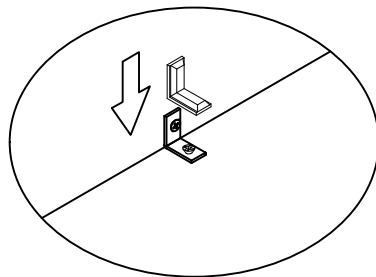
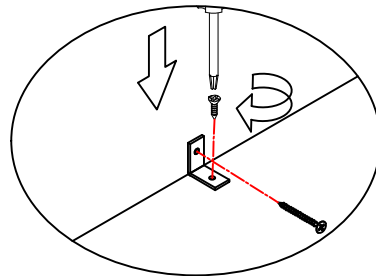
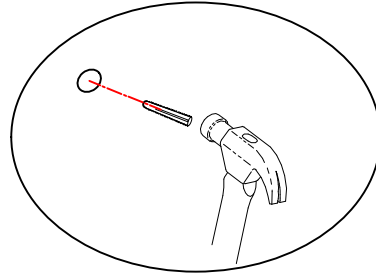
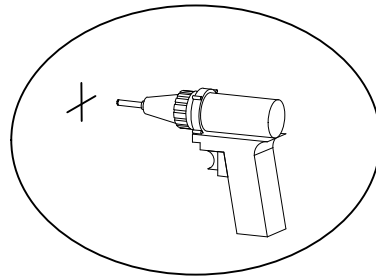
L*12

11

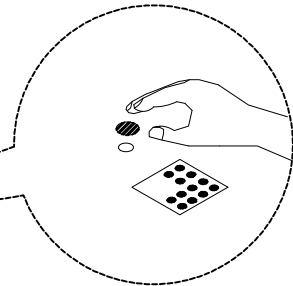
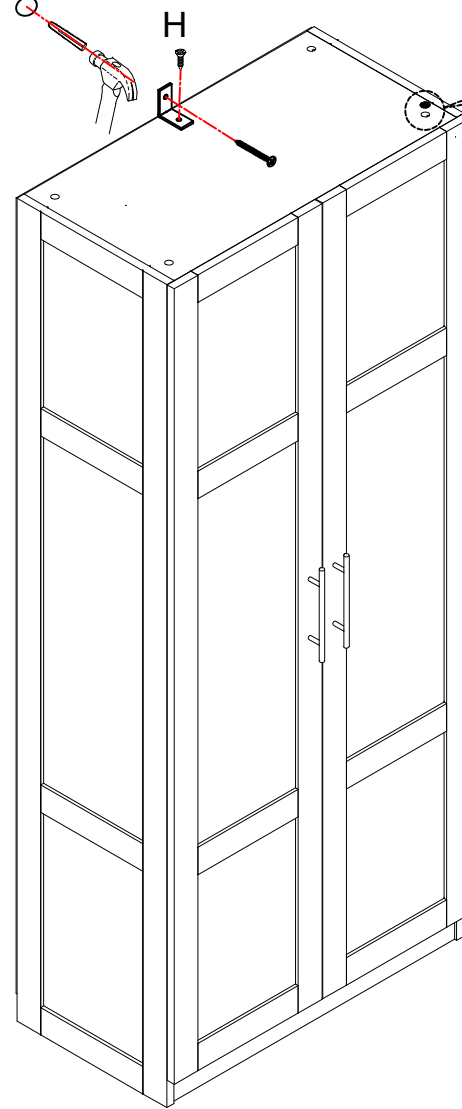


L*12

12



WALL



	H*1
	K*26

END