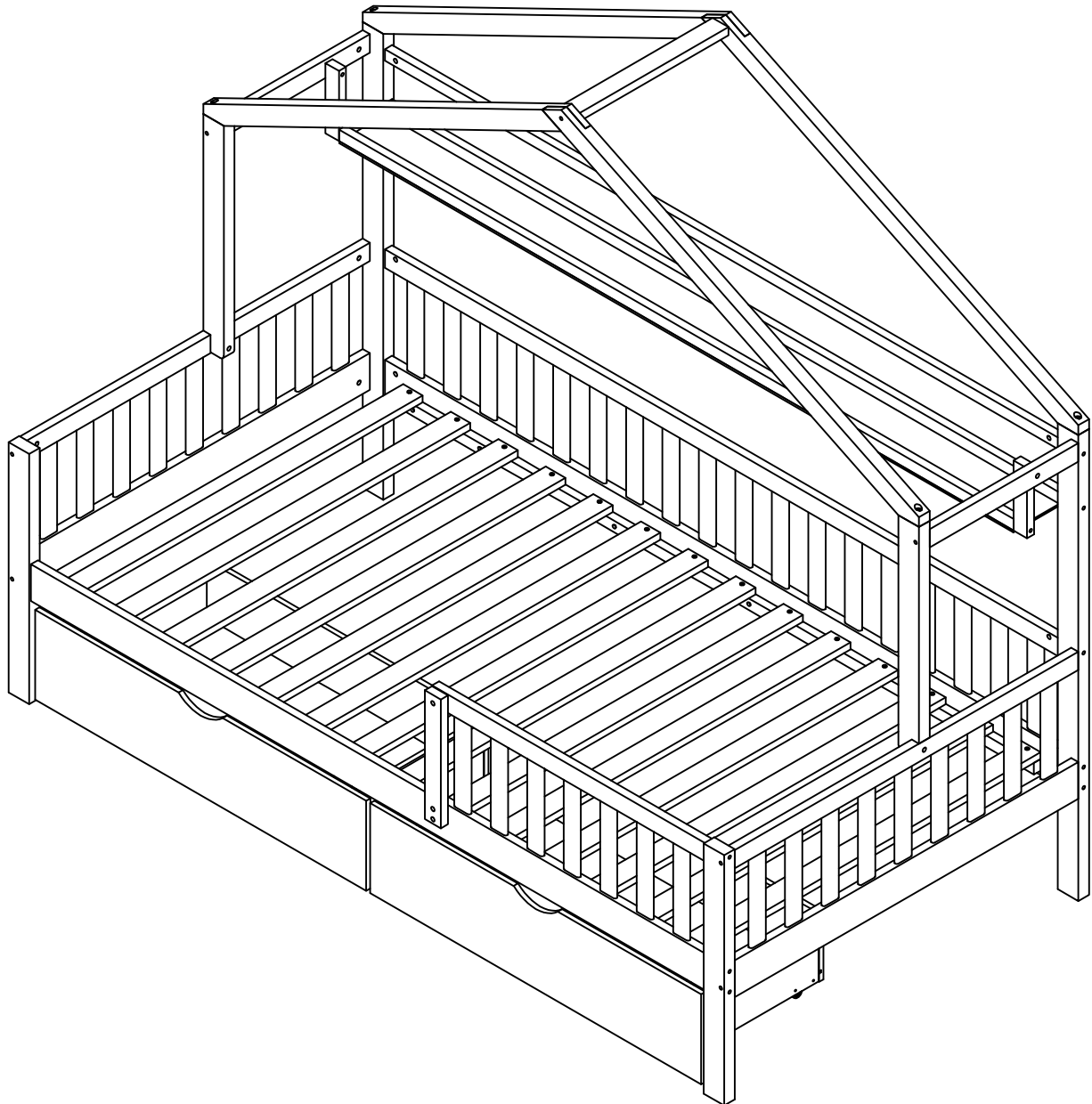


ASSEMBLY INSTRUCTIONS

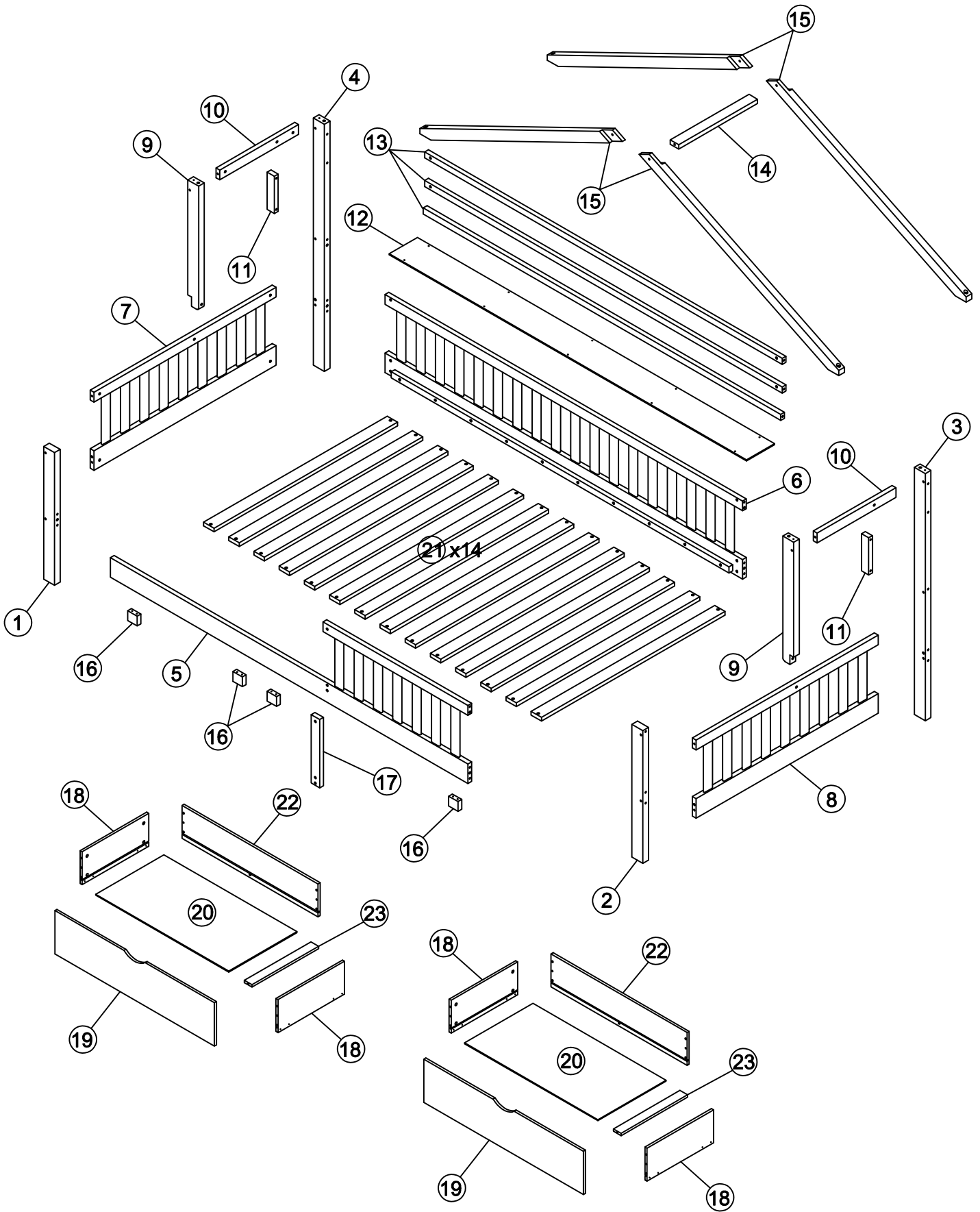
TWIN HOUSE BED WITH STORAGE DRAWER



W308P167855

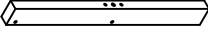

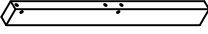

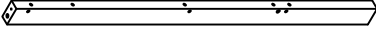
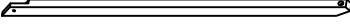
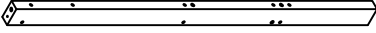

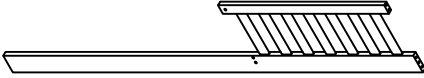
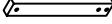
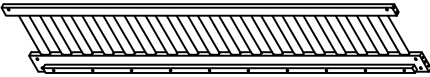
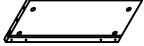
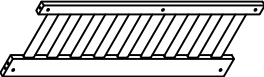

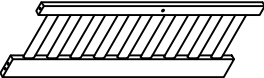

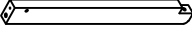

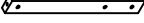

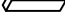
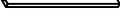
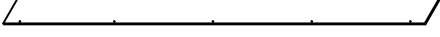
W308P167857

ASSEMBLY INSTRUCTIONS








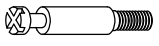



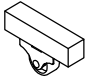



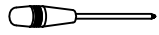
ASSEMBLY INSTRUCTIONS

W308P167855/W308P167857

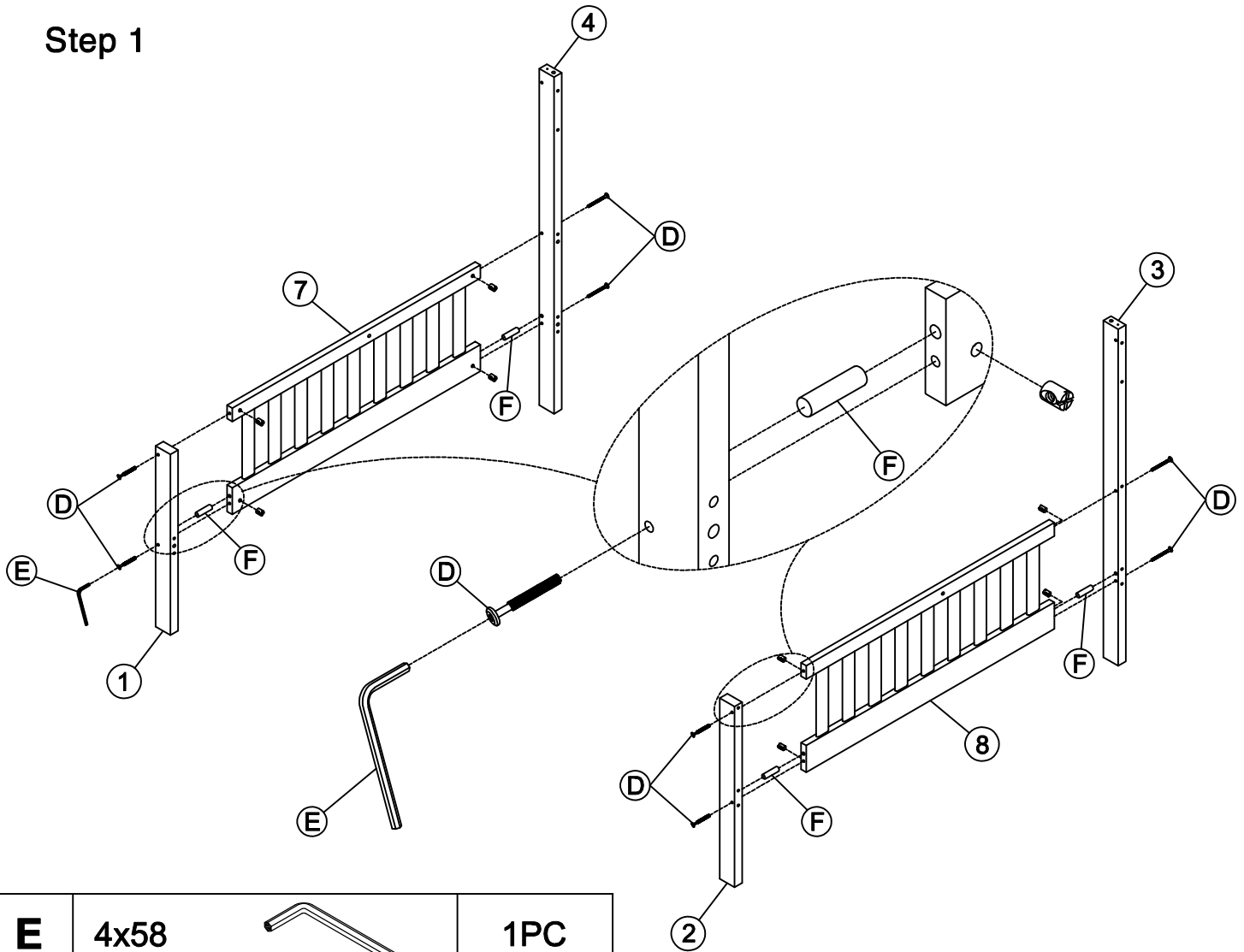
1	 Leg front left	1pc	13	 Back guard rails	3pcs
2	 Leg front right	1pc	14	 Support for roof panels	1pc
3	 Leg back right	1pc	15	 Roof top	4pcs
4	 Leg back left	1pc	16	 Support drawer	4pcs
5	 Front bed side frame	1pc	17	 Supports the front guard rails	1pc
6	 Back bed side frame	1pc	18	 Drawers panel	4pcs
7	 Bed head frame	1pc	19	 Front drawers panel	2pcs
8	 Bed head frame	1pc	20	 Bottom drawers panel	2pcs
9	 Lower support of the roof	2pcs	21	 Slats	14pcs
10	 Support for roof panels	2pcs	22	 Back drawers panel	2pcs
11	 Panel bookshelf	2pcs	23	 Support drawers panel	2pcs
12	 Bottom shelf of the bookshelf	1pc			




ASSEMBLY INSTRUCTIONS

HARDWARE-LISTE (W308P167855/W308P167857)

A	Ø4x30		52PCS	H	1/4x50		4PCS
B	Ø3.5x15		10PCS	I	1/4x30		3PCS
C	1/4x100		15PCS	J	Ø6.5x35		20PCS
D	1/4x75		16PCS	K	Ø12x10		20PCS
E	4x58		1PC	L			8PCS
F	Ø10x40		15PCS	M	6.5x50		4PCS
G	Ø8x30		8PCS		Phillip head screw Not include		

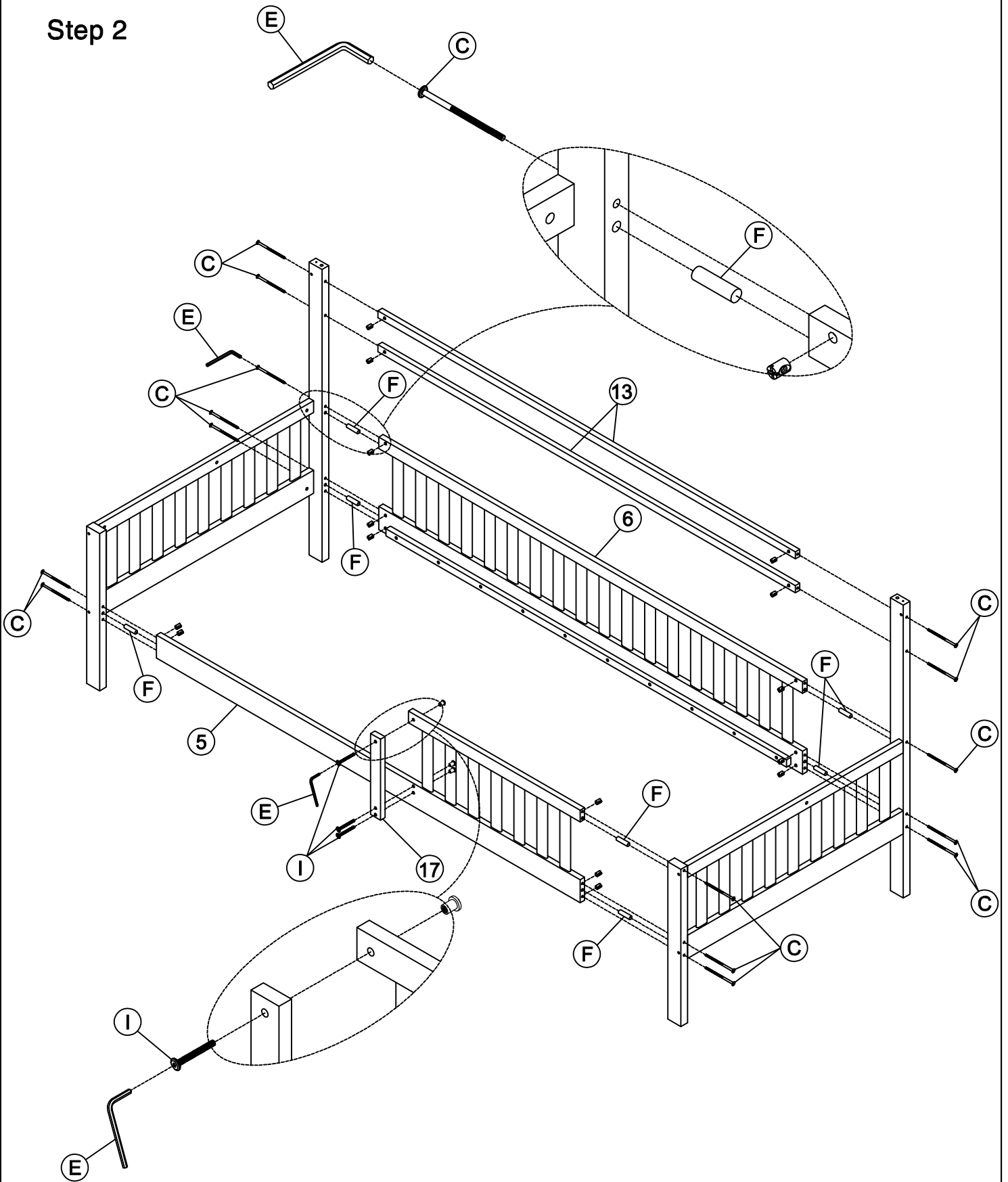
Step 1

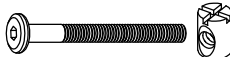
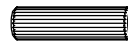




E	4x58		1PC	F	Ø10x40		4PCS
D	1/4x75		8PCS				

ASSEMBLY INSTRUCTIONS

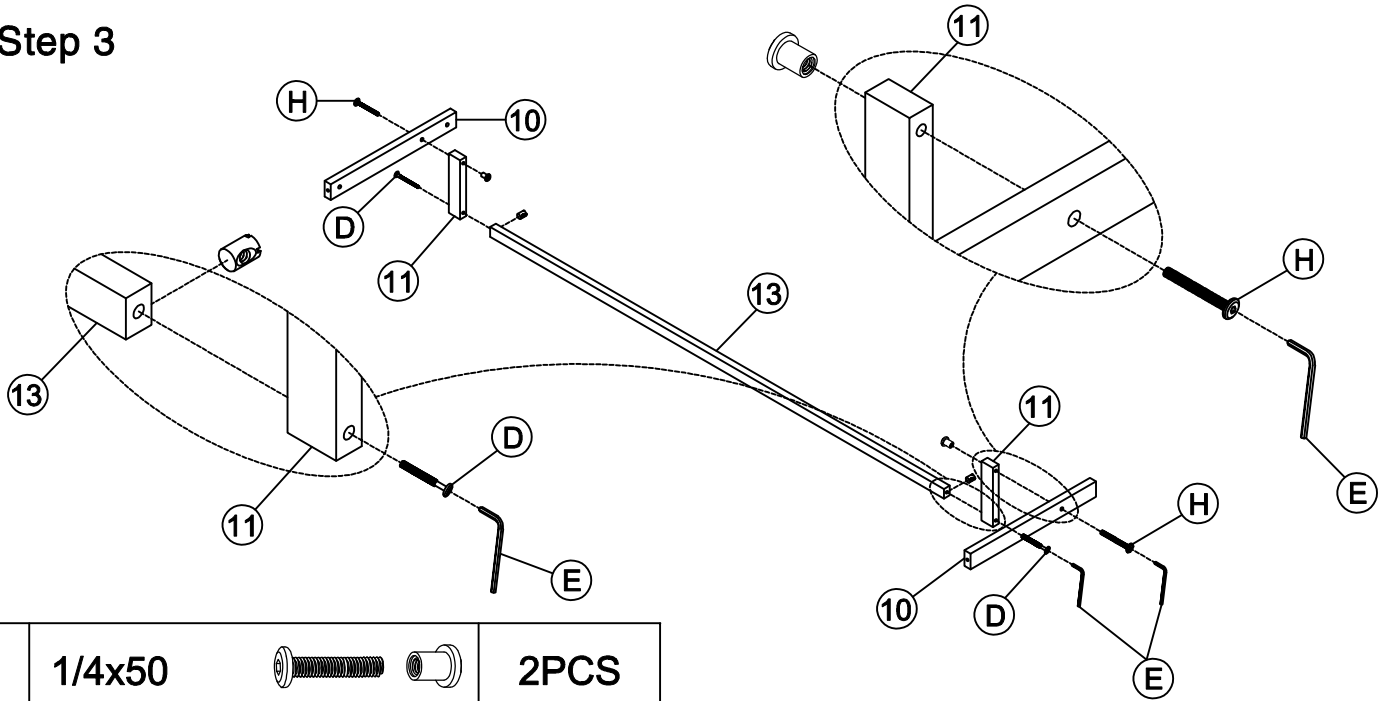
Step 2






C	1/4x100		15PCS	F	Ø10x40		7PCS
I	1/4x30		3PCS	E	4x58		1PC

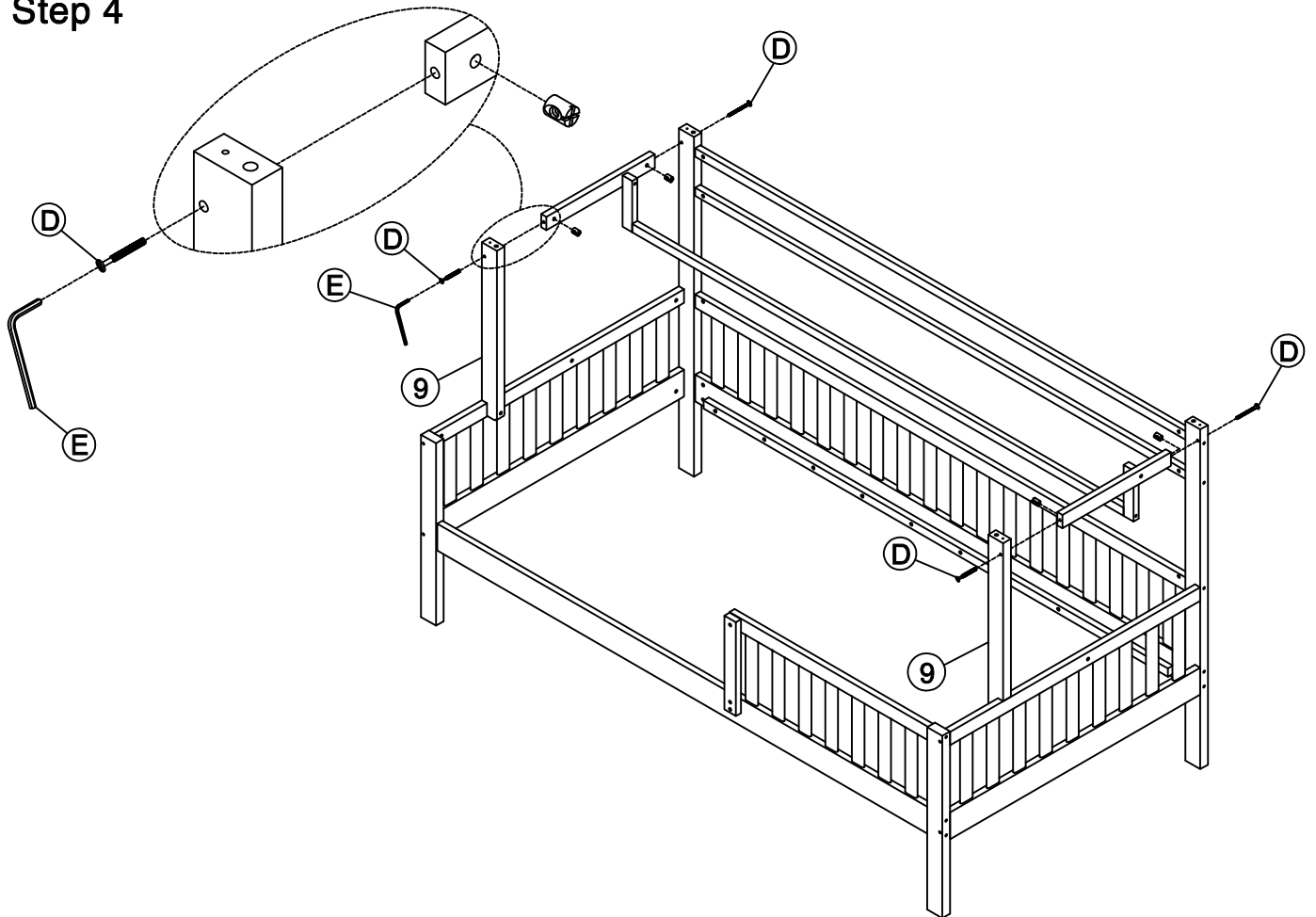
ASSEMBLY INSTRUCTIONS



Step 3



H	1/4x50		2PCS			
D	1/4x75		2PCS	E	0.4x5.8	 1PC

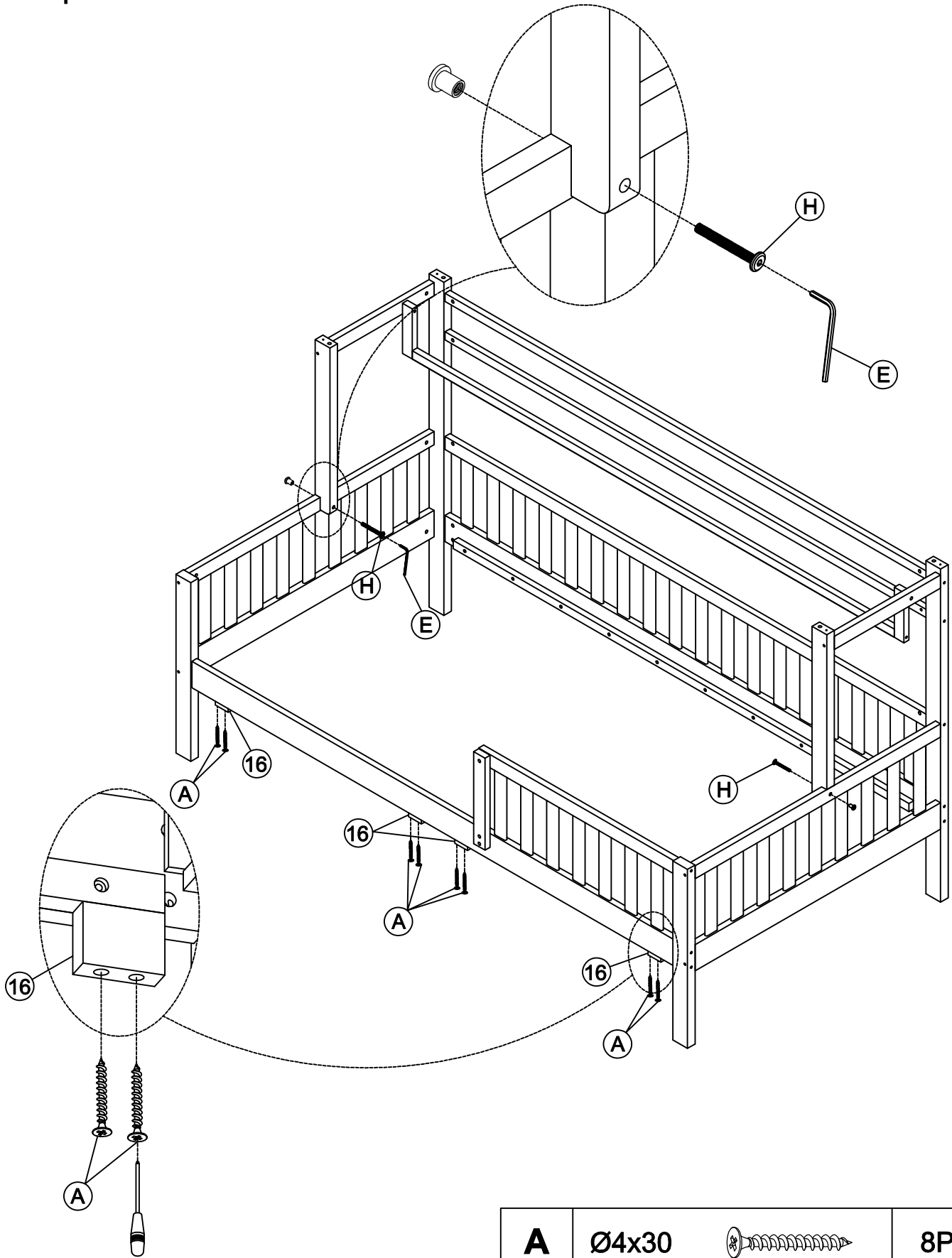
Step 4






D	1/4x75		4PCS	E	0.4x5.8	 1PC
----------	--------	---	------	----------	---------	---

ASSEMBLY INSTRUCTIONS

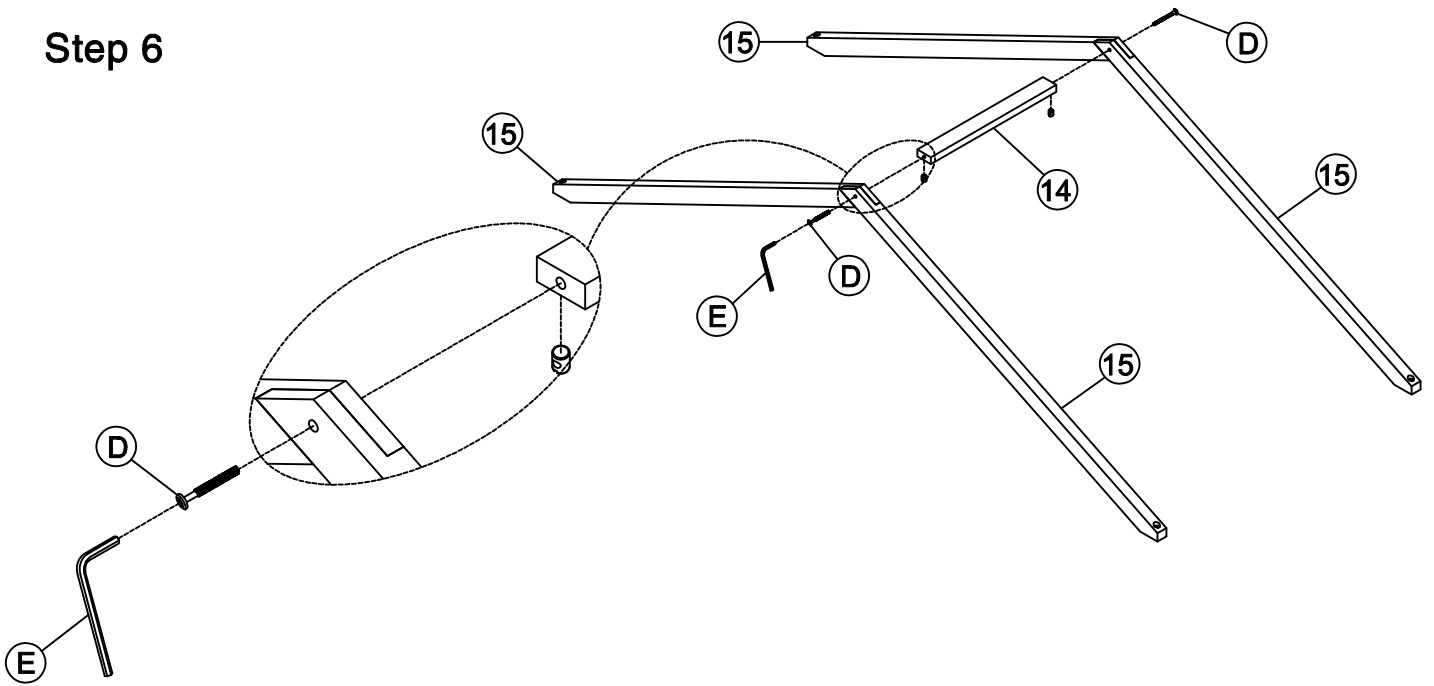
Step 5





			A	Ø4x30	 8PCS
H	1/4x50	 2PCS	E	0.4x5.8	 1PC

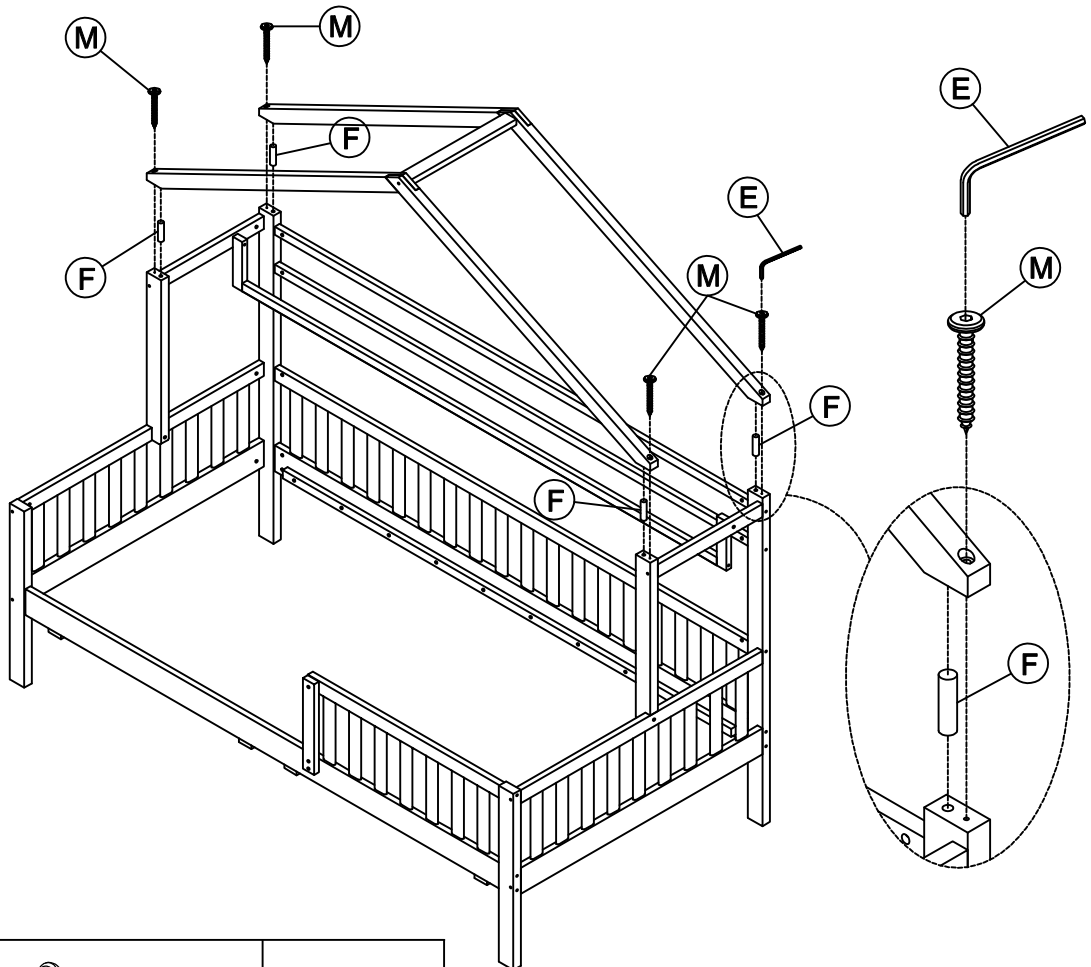
ASSEMBLY INSTRUCTIONS




Step 6



D	1/4x75		2PCS	E	4x58		1PC
----------	--------	---	------	----------	------	---	-----

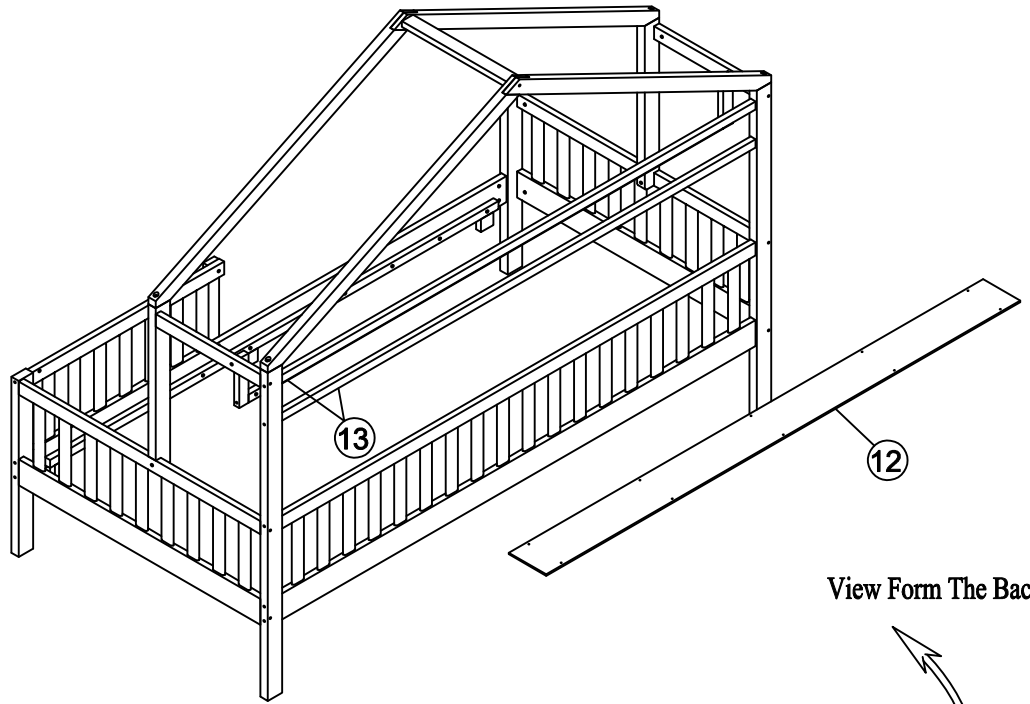
Step 7



M	6.5x50		4PCS	F	Ø10x40		4PCS	E	4x58		1PC
----------	--------	---	------	----------	--------	---	------	----------	------	---	-----

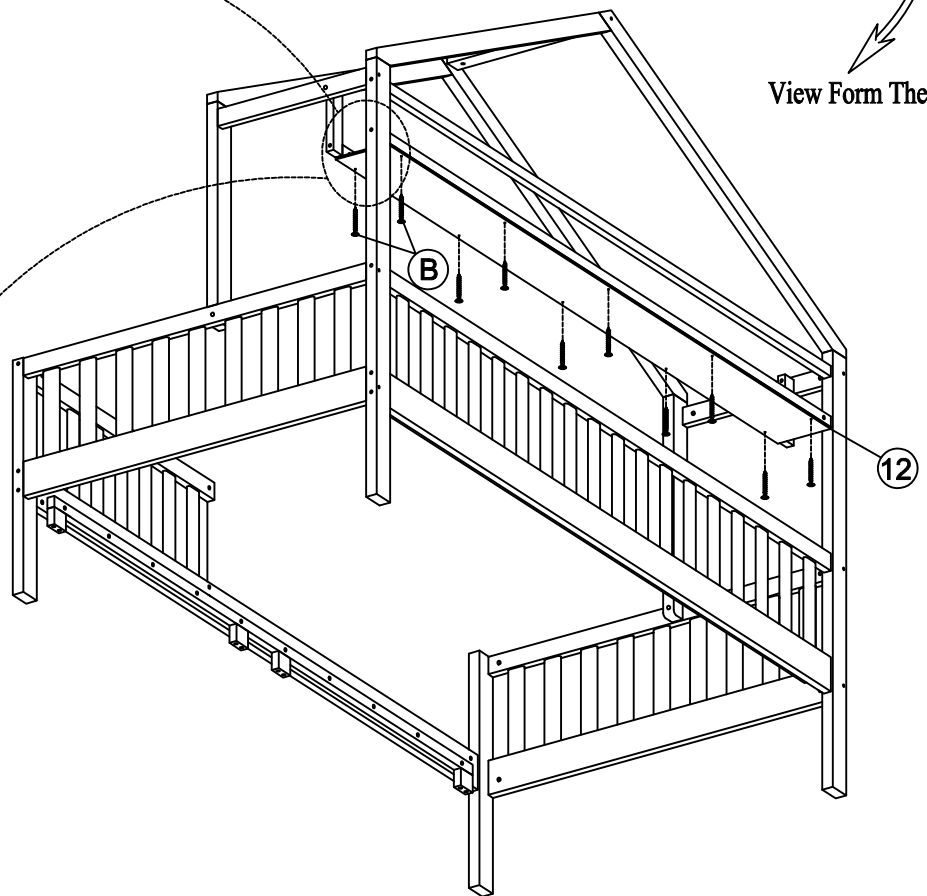
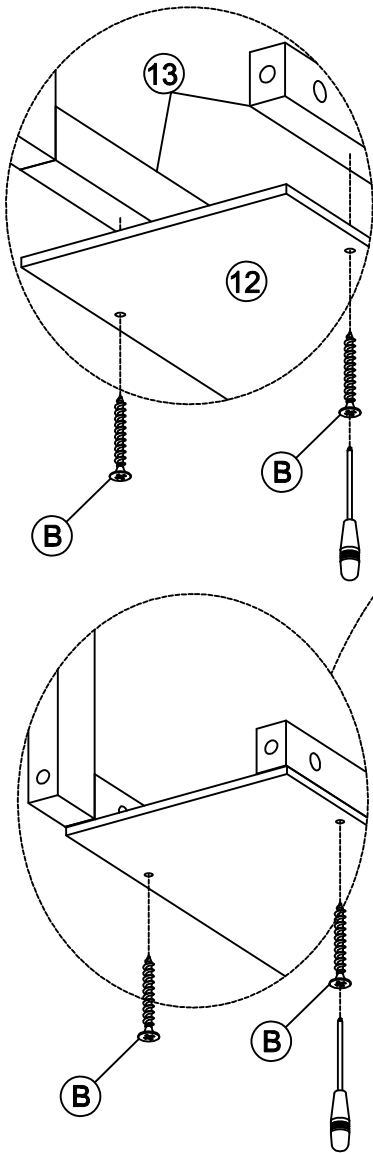
ASSEMBLY INSTRUCTIONS


Step 8



View From The Back

View From The Below

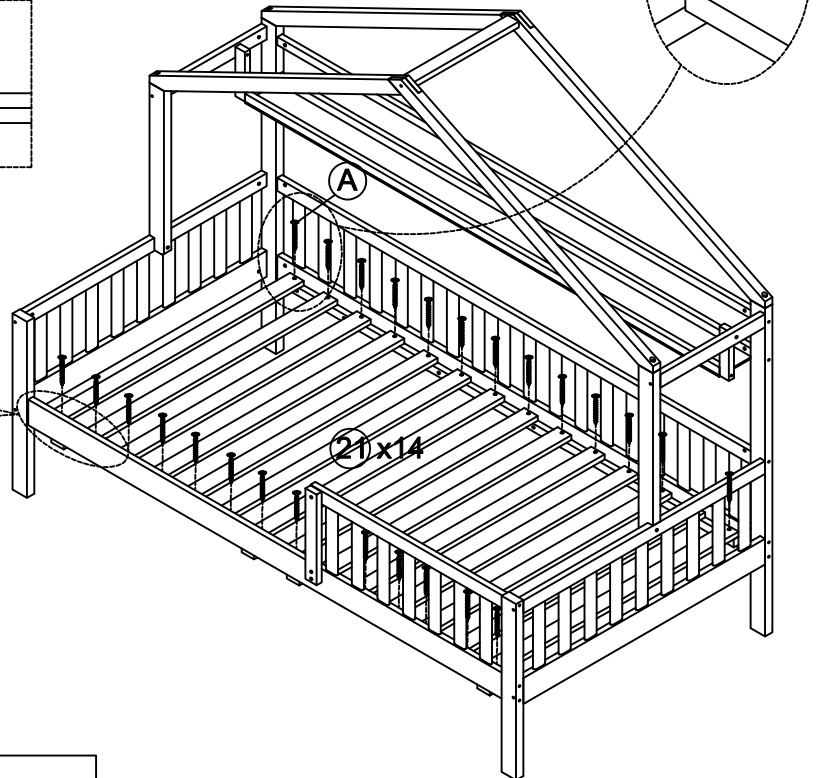
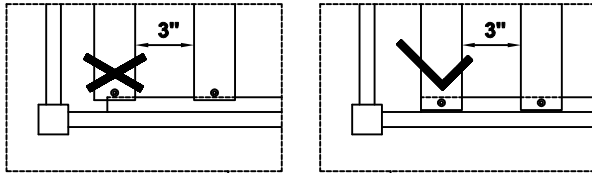


B	Ø3.5x15		10PCS
----------	---------	---	--------------

ASSEMBLY INSTRUCTIONS

Step 9

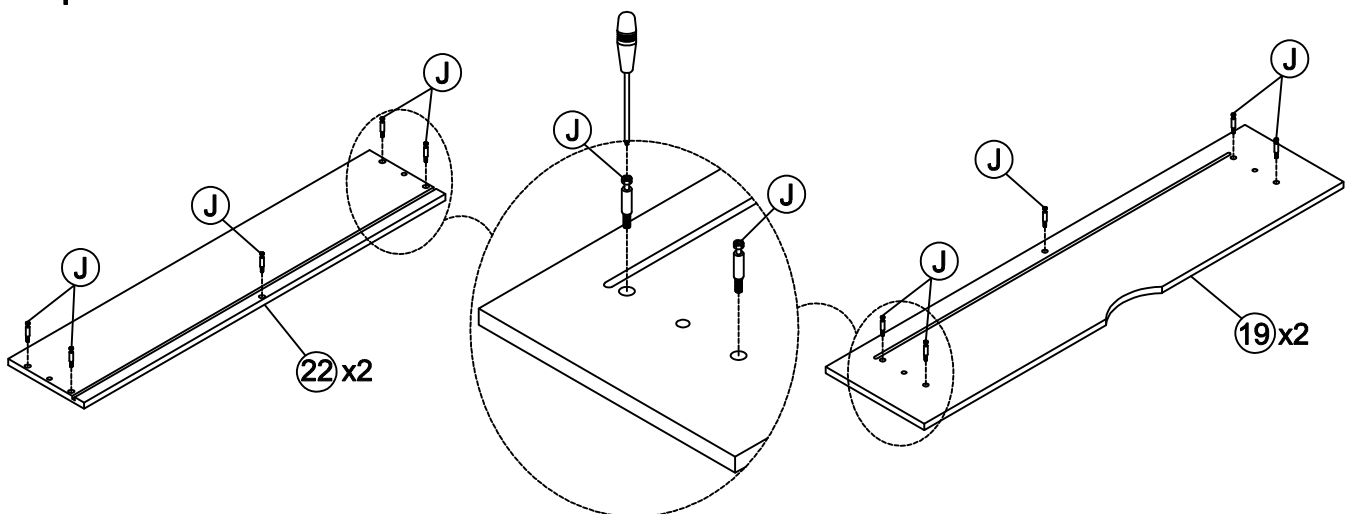
First attach 2 pcs part 21 to the front and end of the frame between headboard. Then attach the remaining part 21 equidistantly between headboard

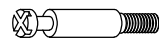


A	Ø4x30		28PCS
----------	-------	---	-------

Step 10

Assemble Drawer

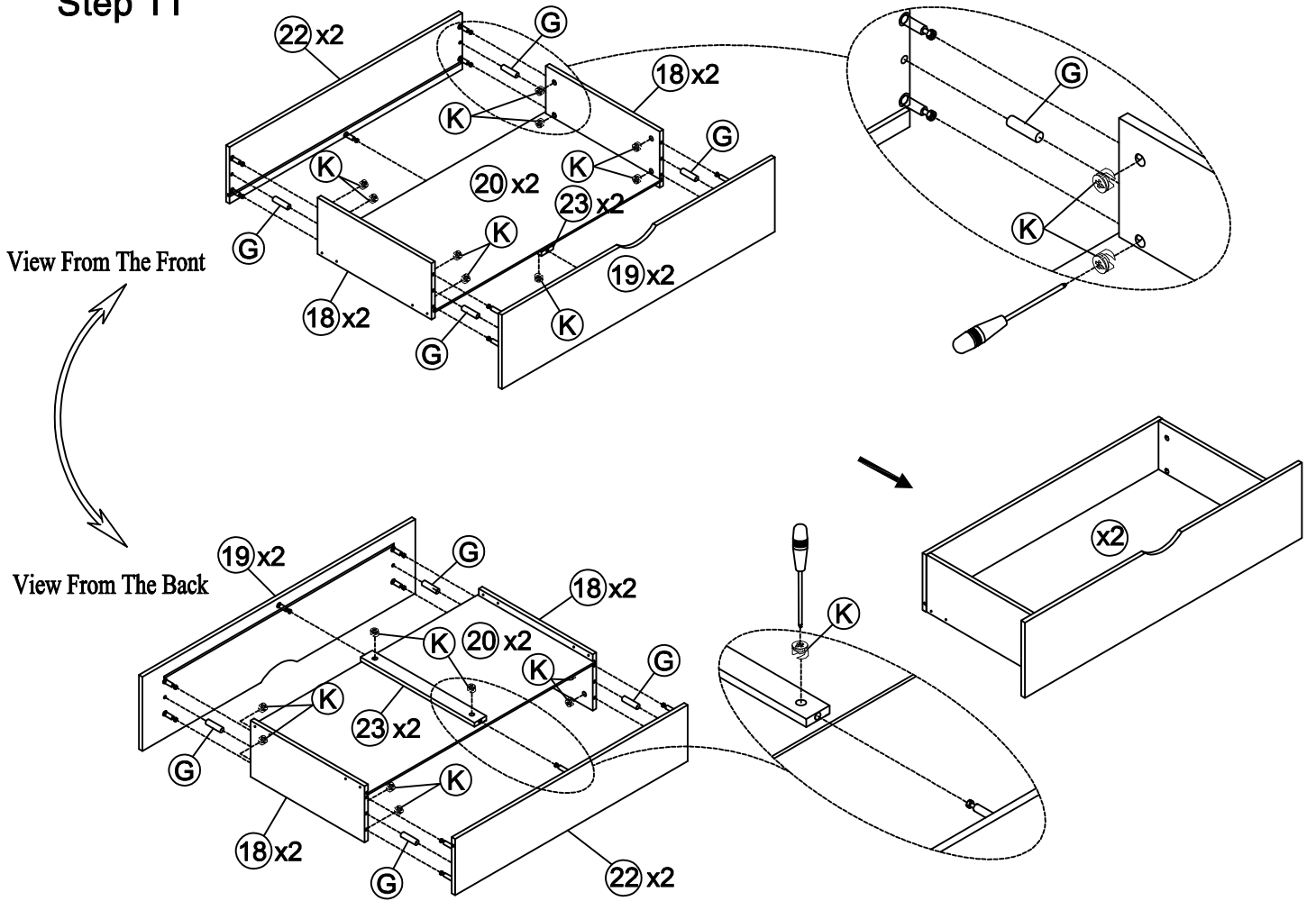




J	Ø6.5x35		20PCS
----------	---------	---	-------

ASSEMBLY INSTRUCTIONS

Step 11

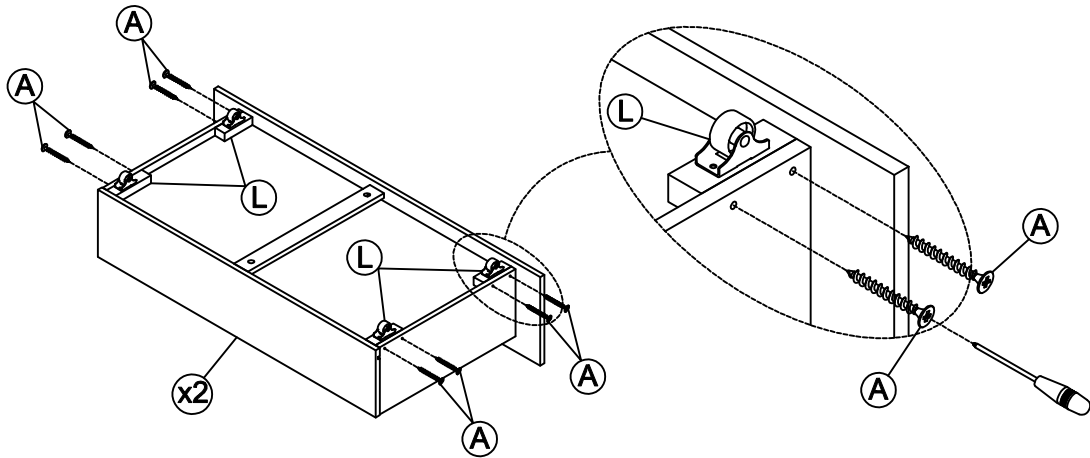
Assemble Drawer


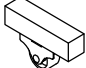


G	Ø8x30		8PCS	K	Ø12x10		20PCS
----------	-------	---	------	----------	--------	---	-------

Step 12

Assemble Drawer



A	Ø4x30		16PCS	L		8PCS
----------	-------	---	-------	----------	---	------

ASSEMBLY INSTRUCTIONS

Step 13

