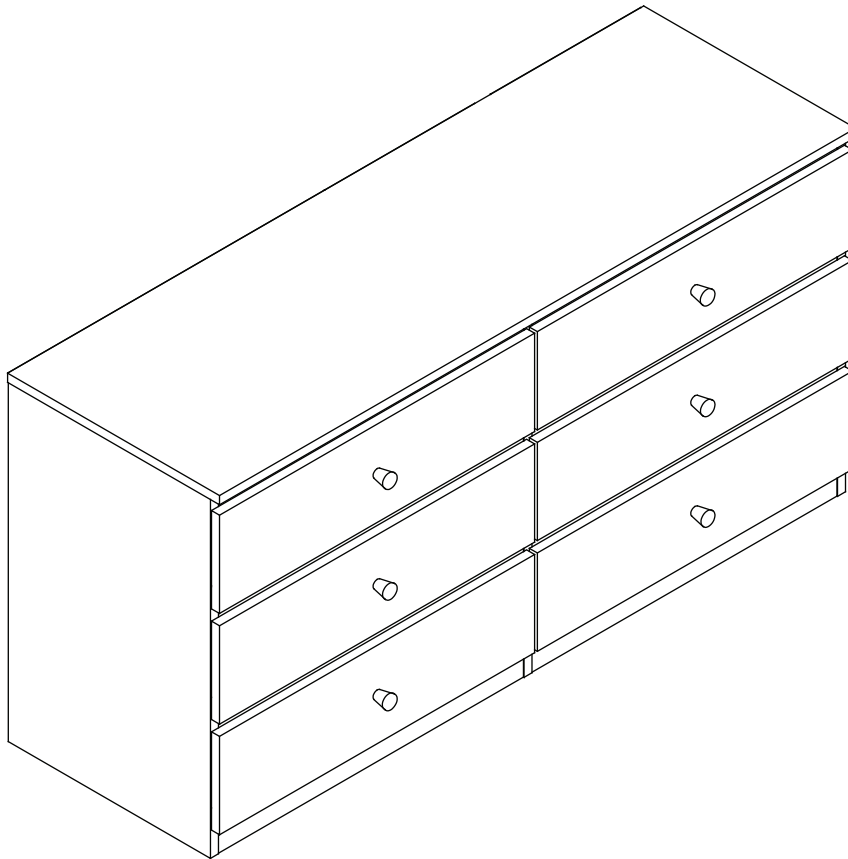


# Assembly Instructions

PWS-CD1100-WH

3 + 3 DRAWER CHEST



THIS INSTRUCTION BOOKLET CONTAINS **IMPORTANT** SAFETY INFORMATION. PLEASE READ AND KEEP FOR FUTURE REFERENCE.

## Do Not Return This Product!

Contact our customer service team for help first.

Monday-Friday 9am - 5pm CST

Visit: [support@cenports.com](mailto:support@cenports.com)



## **WARNING**

- Unit can tip over causing severe injury or death.
- Anchor unit to stud in wall (if instructed to).
- Do Not allow children to climb on unit.
- Put heavy items on lower shelves or drawers.



Assembly Difficulty Meter

# Contact Us!

## Do NOT return this product!

Contact our friendly customer service team first for help



Visit [support@cenports.com](mailto:support@cenports.com)

# Helpful Hints

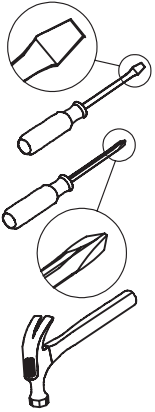
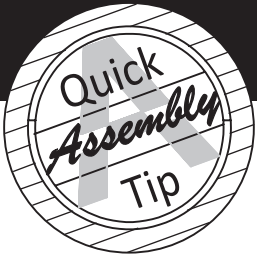
PEOPLE NEEDED FOR ASSEMBLY: **1-2**

ESTIMATED ASSEMBLY TIME: **30 MINUTE**

- Open your item in the area you plan to keep it to avoid excessive heavy lifting.
- Identify, sort and count the parts before attempting assembly.
- Compression dowels are lightly tapped in with a hammer.
- Slides are labeled with a **R** (right) and **L** (left) for proper placement.
- Make sure to always face the point on the top of the Cam Lock towards the outer edge.
- Use all the nails provided for the back panel and spread them out equally.
- Back panel must be used to make sure your unit is sturdy.
- Do NOT use harsh chemicals or abrasive cleaners on this item.
- Never push, pull, or drag your furniture.



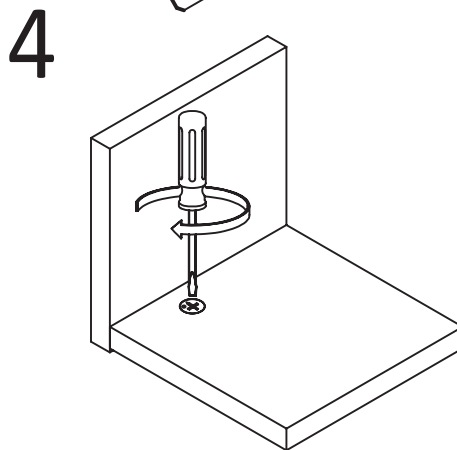
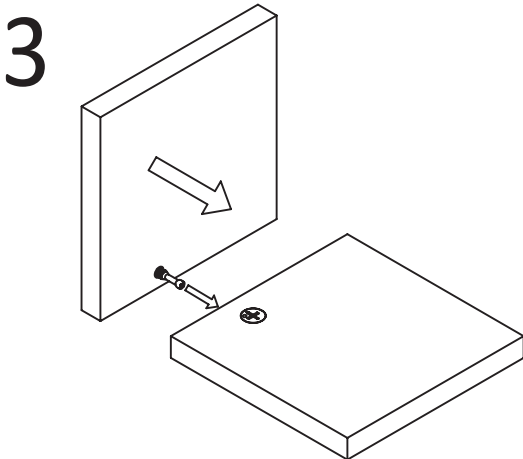
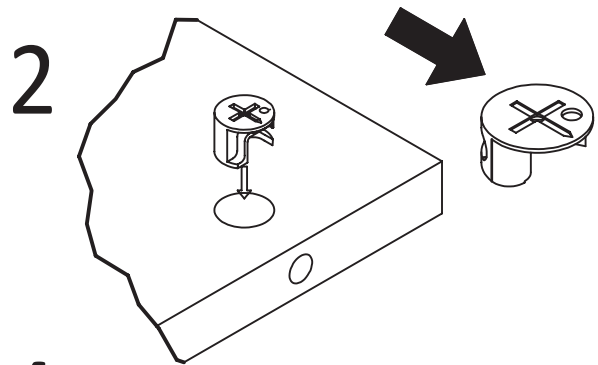
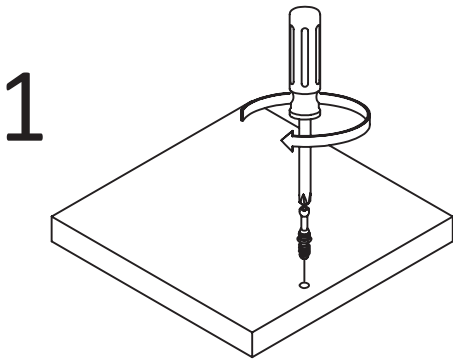
# Before You Start



- ✓ Read through each step carefully and follow the proper order
- ✓ Separate and count all your parts and hardware
- ✓ Give yourself enough room for the assembly process
- ✓ Have the following tools: Flat Head Screwdriver, #2 Phillips Head Screwdriver and Hammer
- ✓ Caution: If using a power drill or power screwdriver for screwing, please be aware to slow down and stop when screw is tight. Failure to do so may result in stripping the screw.

# Cam Lock Fastening System

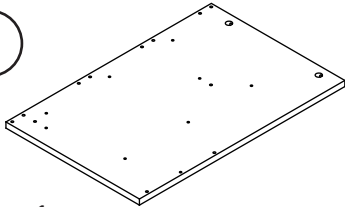
This Cam Lock Fastening System will be used throughout the assembly process.



# Board Identification

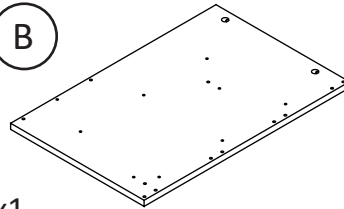
Not actual size

A



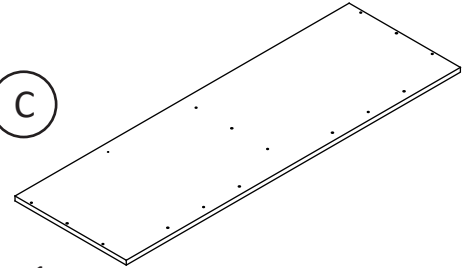
x1  
SIDE PANEL LEFT

B



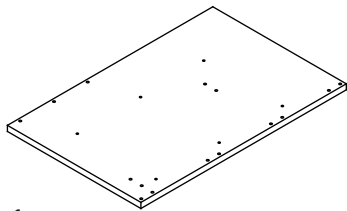
x1  
SIDE PANEL RIGHT

C



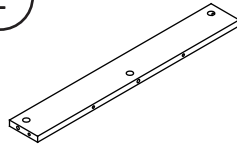
x1  
TOP PANEL

D



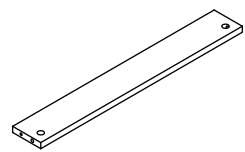
x1  
CENTER PANEL

E



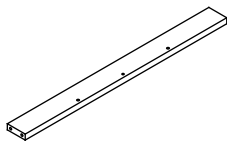
x2  
BOTTOM SUPPORT PANEL

F



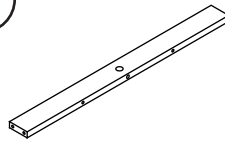
x2  
BACK SUPPORT PANEL

G



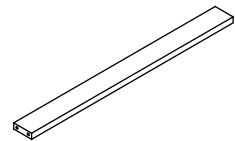
x2  
BOTTOM LEG PANEL

H



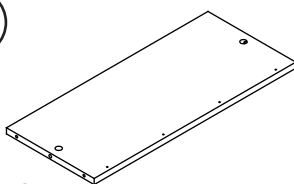
x2  
TOP SUPPORT PANEL LEFT

I



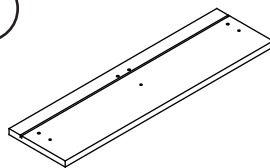
x2  
FRONT SUPPORT PANEL

J



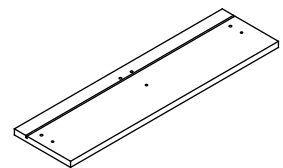
x2  
BACK REAR SUPPORT  
PANEL

K



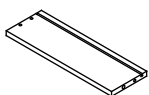
x3  
DRAWER FRONT PANEL LEFT

L



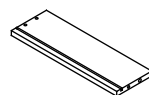
x3  
DRAWER FRONT PANEL RIGHT

M



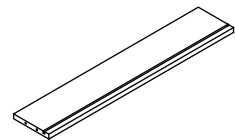
x6  
DRAWER SIDE LEFT  
PANEL

N



x6  
DRAWER SIDE RIGHT  
PANEL

O

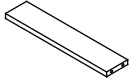


x6  
DRAWER BACK PANEL

# Board Identification

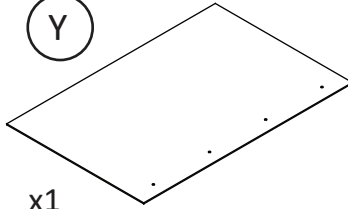
Not actual size

P



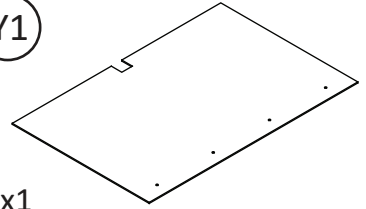
x6  
DRAWER SUPPORT  
PANEL

Y



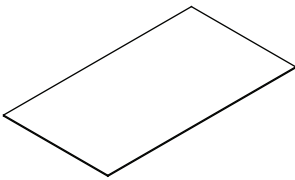
x1  
BACKPLY PANEL

Y1



x1  
BACKPLY PANEL

Z



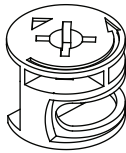
x6  
DRAWER BOTTOM  
PANEL

# Part List

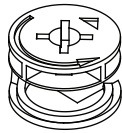
Not Actual Size



x28  
Minifix Bolt



x16  
Cam Lock  
12-15



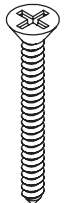
x12  
Cam Lock  
9-15



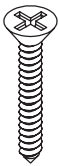
x87  
Wood Dowel  
6 X 30



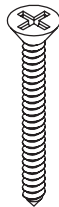
x33  
Csk Screw  
3.5 X 15



x24  
Csk Screw  
4.7 X 38



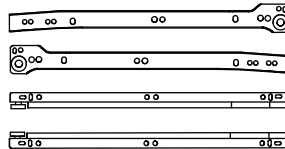
x6  
Csk Screw  
4 X 25



x1  
Csk Screw  
4 X 38



x24  
Euro Screw  
6 X 9 300mm



x6 Set  
Drawer Slide



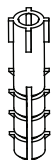
x6  
Havana Black  
Knob



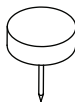
x3  
Double End  
Minifix



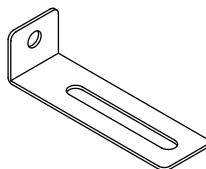
x20  
Nail Pin



x1  
Wall Plug



x7  
Nail Leg

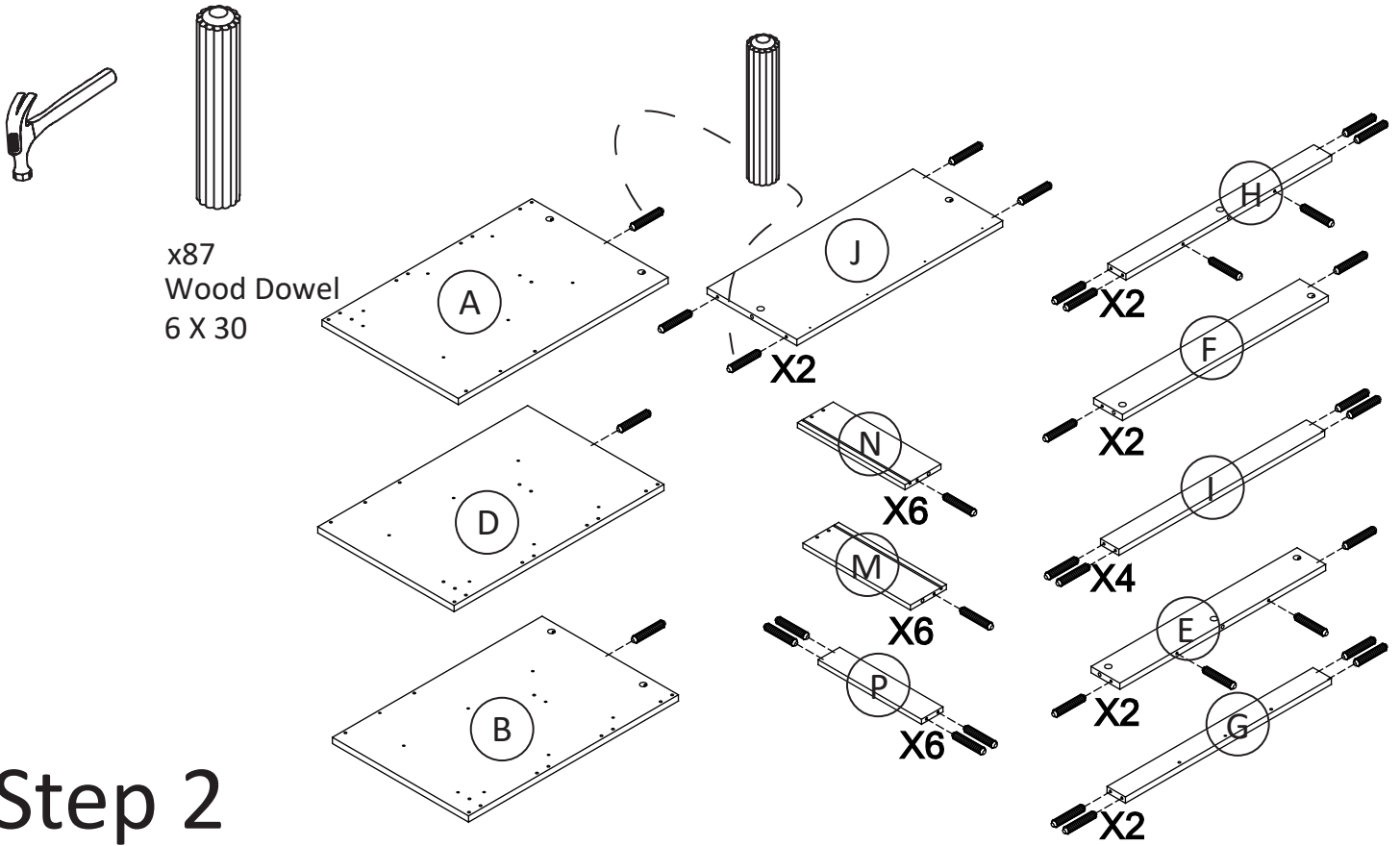


x1  
L-mounting  
Bracket

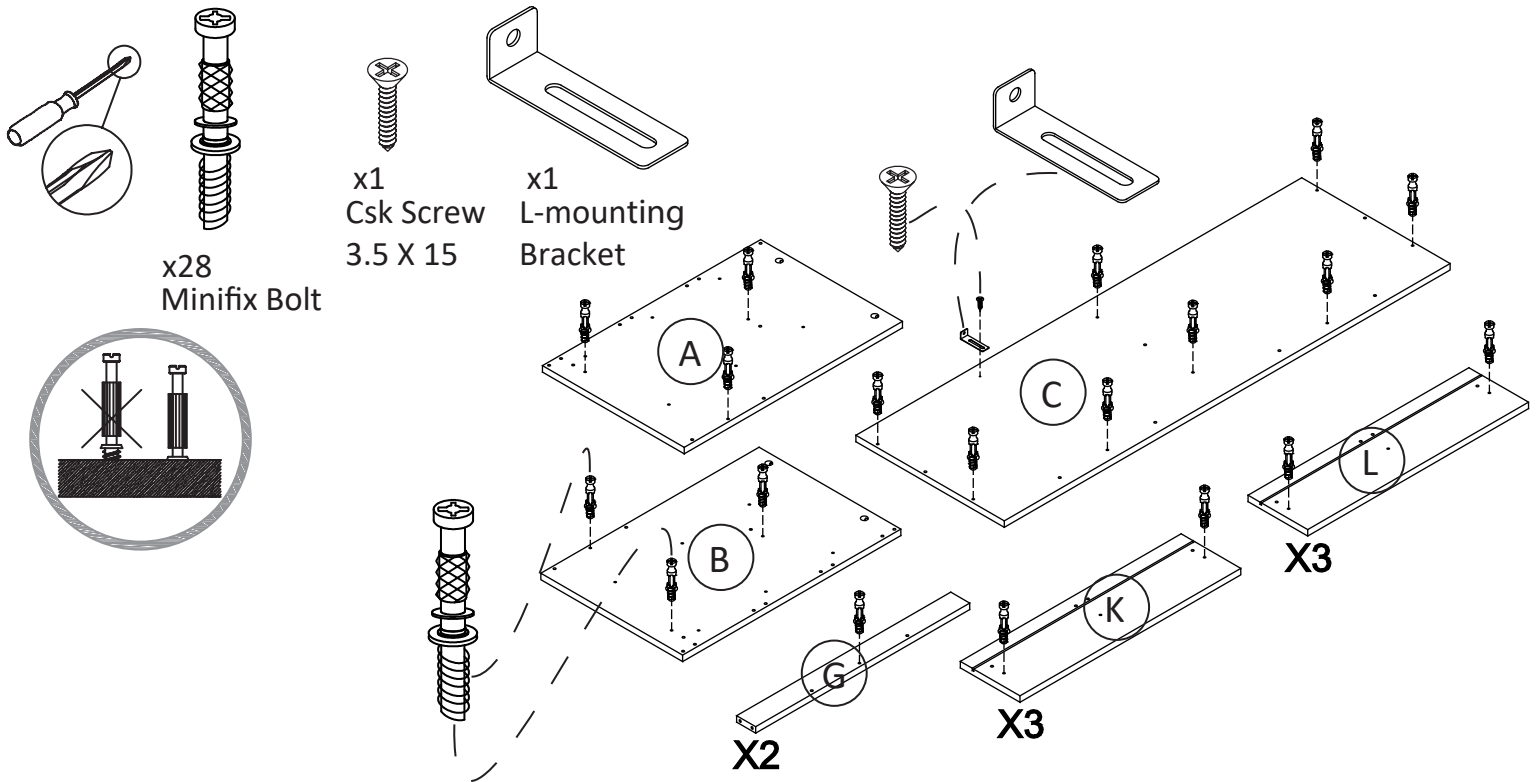


x1  
Allen Key M4

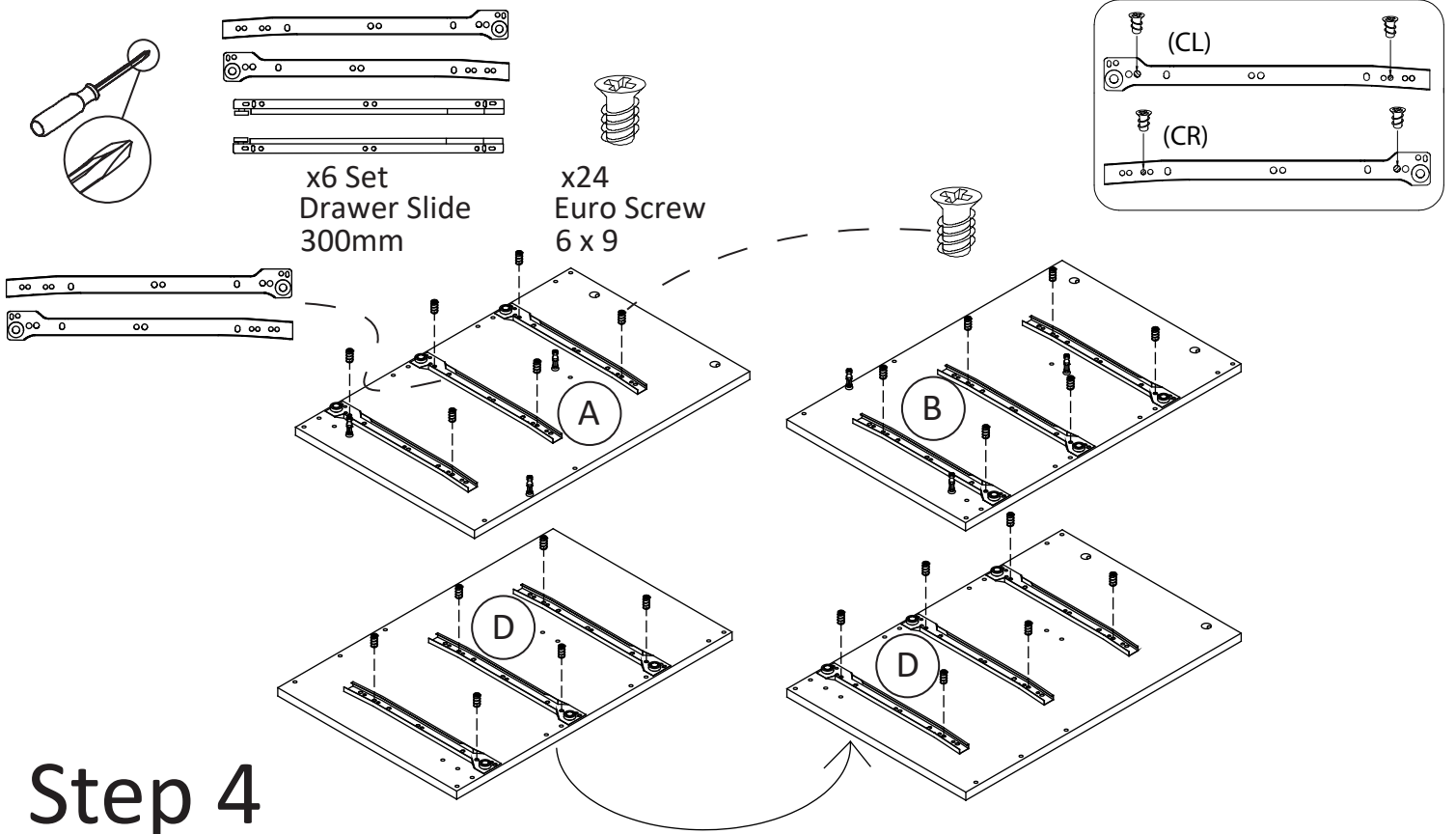
# Step 1



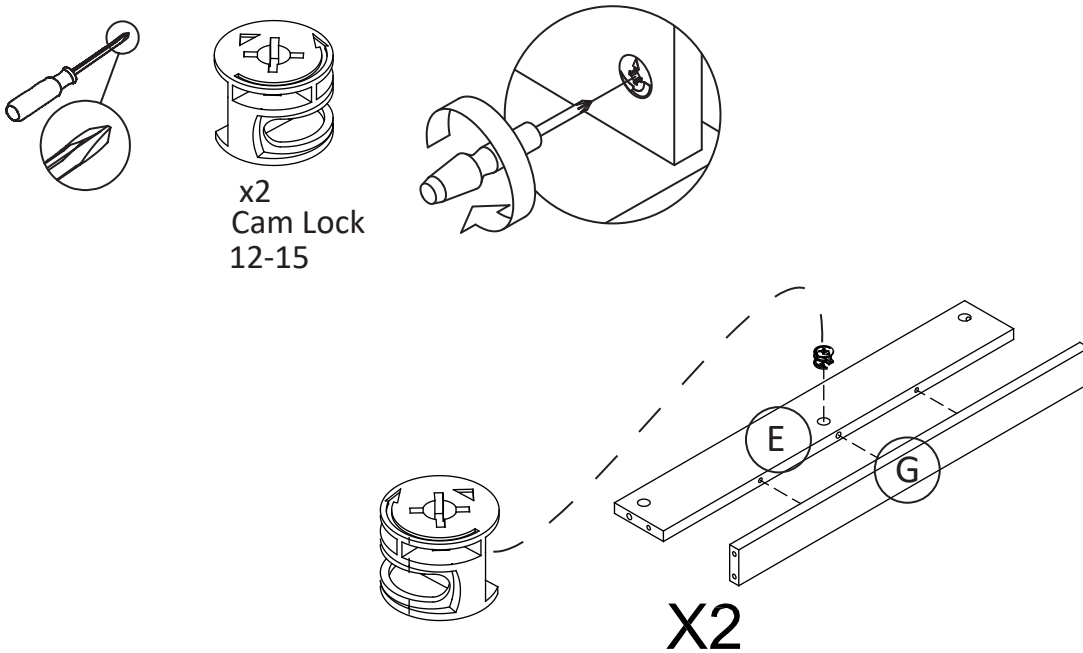
# Step 2



# Step 3

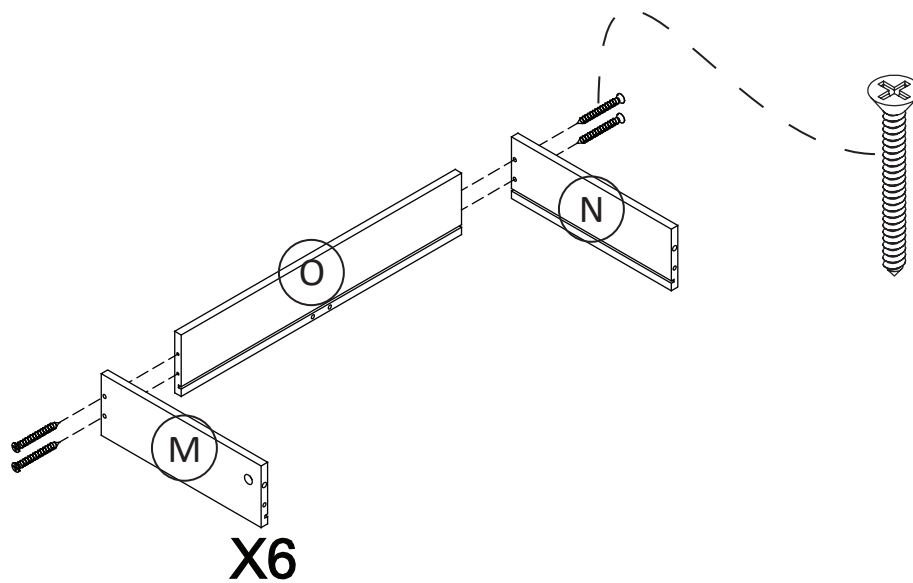
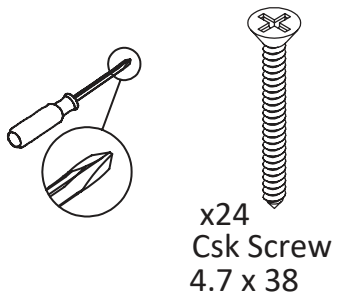


# Step 4



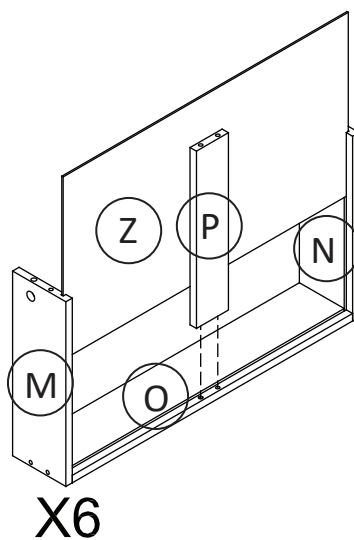
# Step 5

---

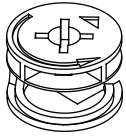
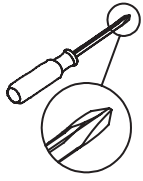


# Step 6

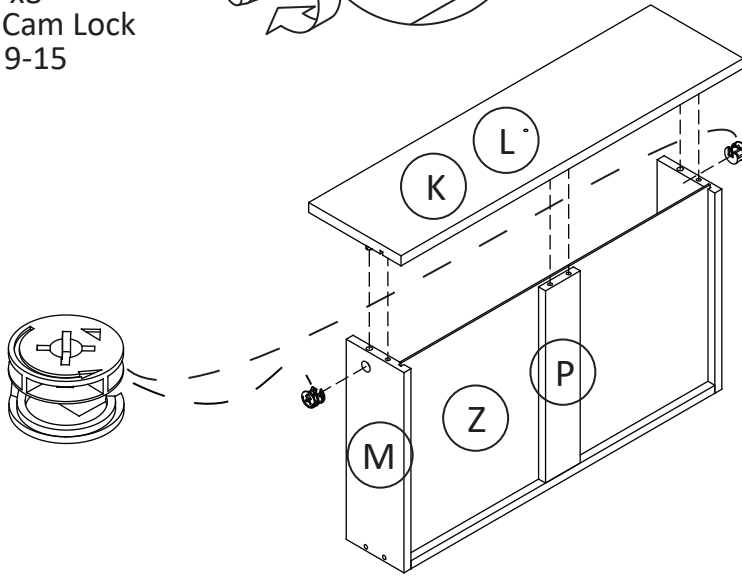
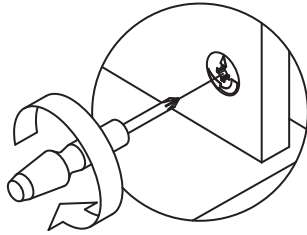
---



# Step 7

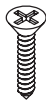


x8  
Cam Lock  
9-15

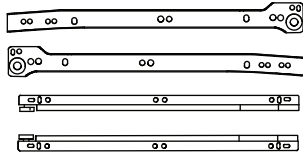


X6

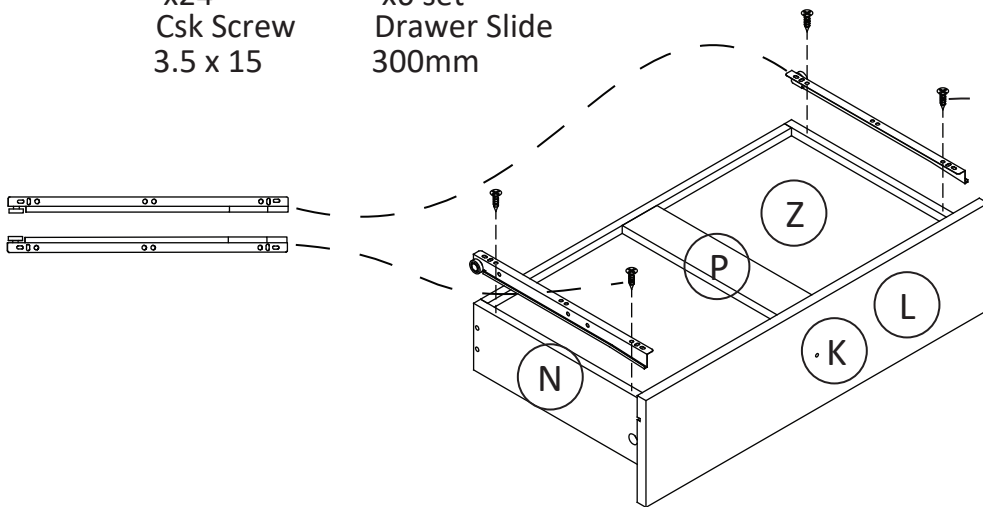
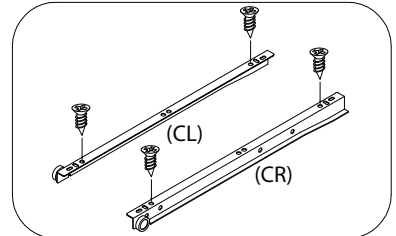
# Step 8



x24  
Csk Screw  
3.5 x 15



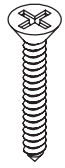
x6 set  
Drawer Slide  
300mm



X6

# Step 9

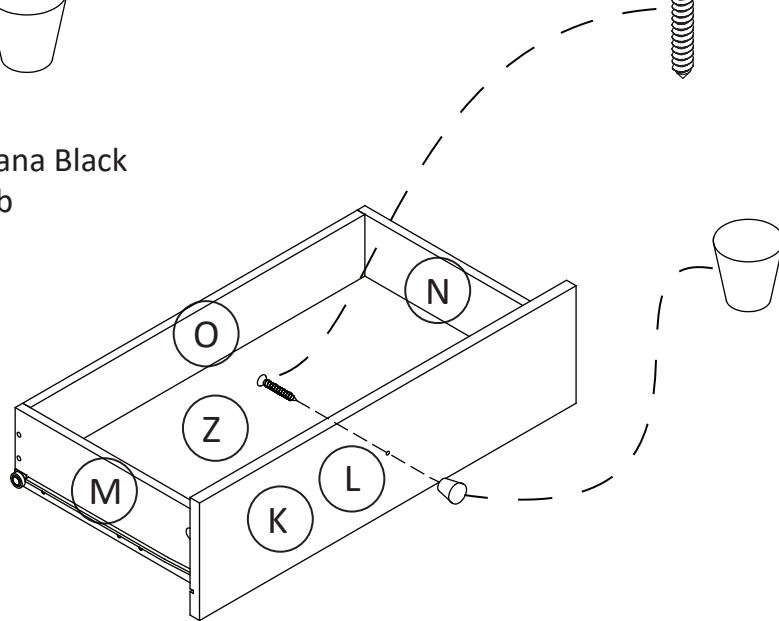
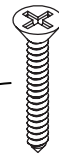
---



x6  
Csk Screw  
4 X 25



x6  
Havana Black  
Knob



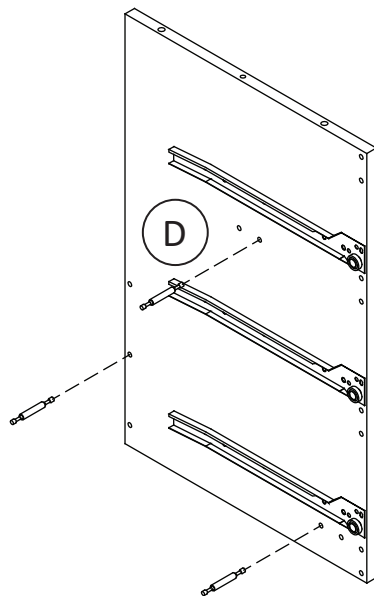
**X6**

# Step 10

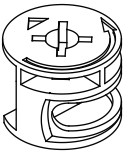
---



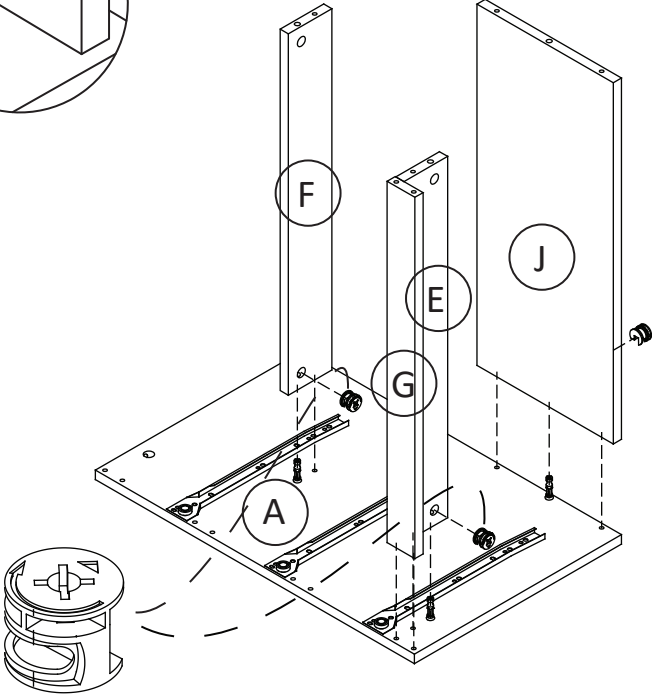
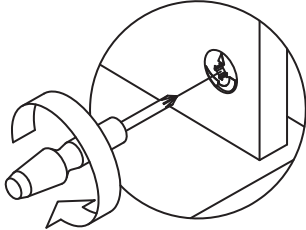
x3  
Double End Minifix



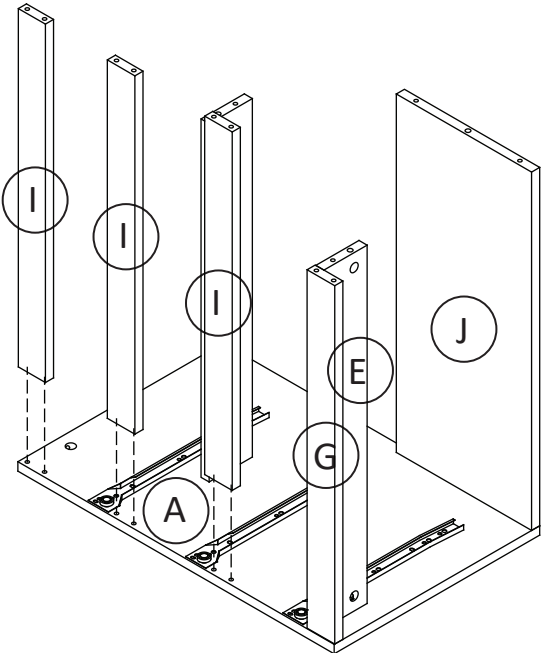
# Step 11



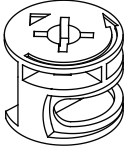
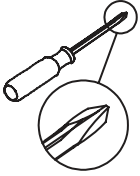
x3  
Cam Lock  
12-15



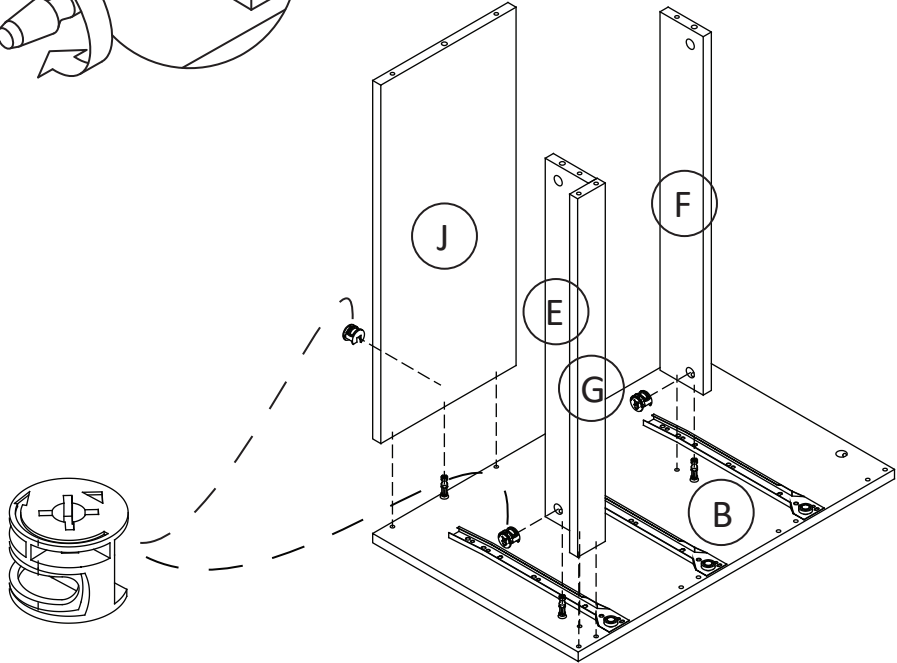
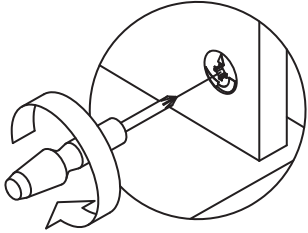
# Step 12



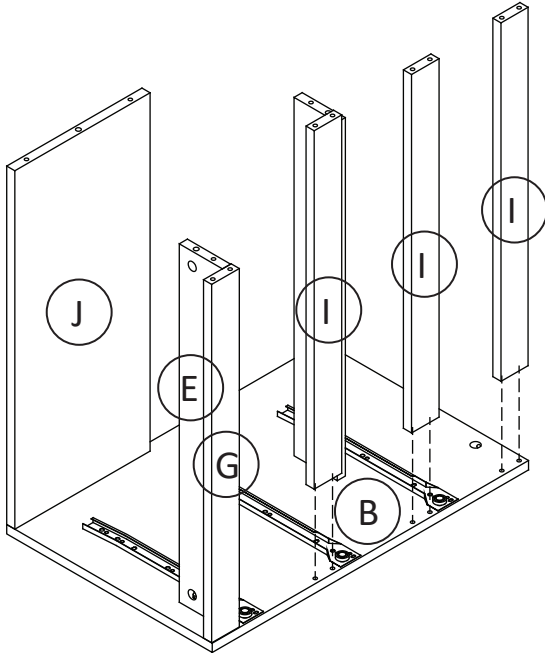
# Step 13



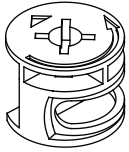
x3  
Cam Lock  
12-15



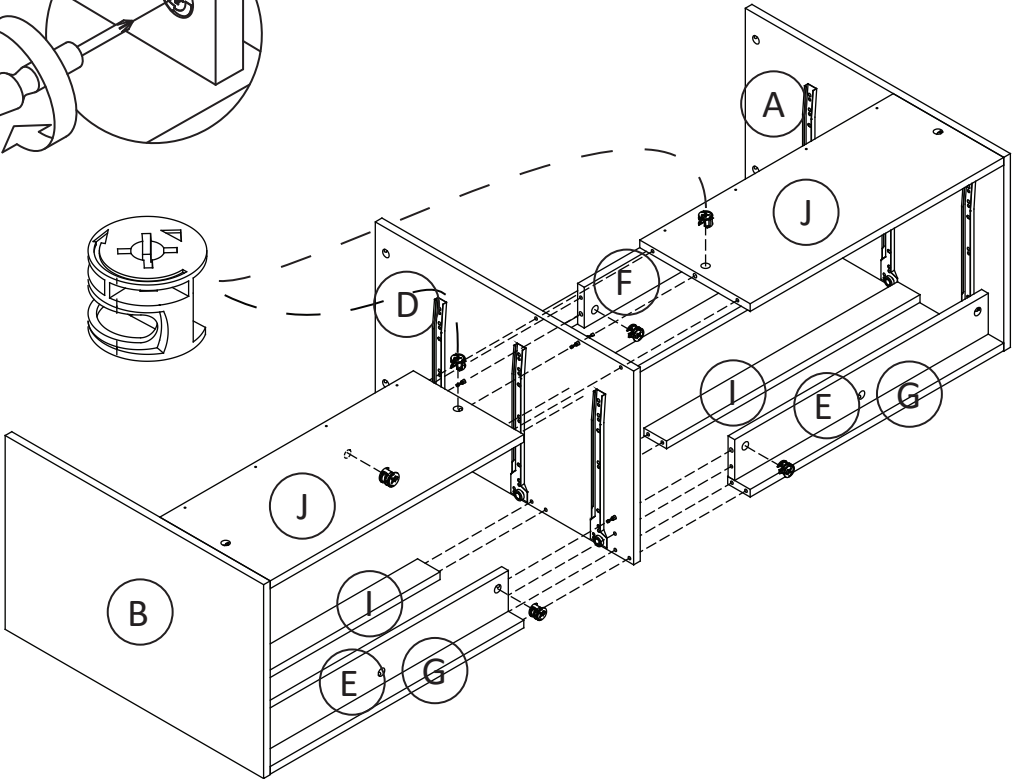
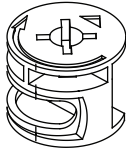
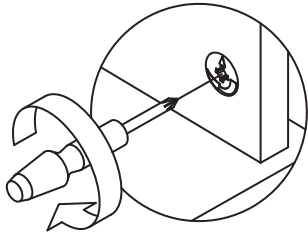
# Step 14



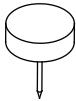
# Step 15



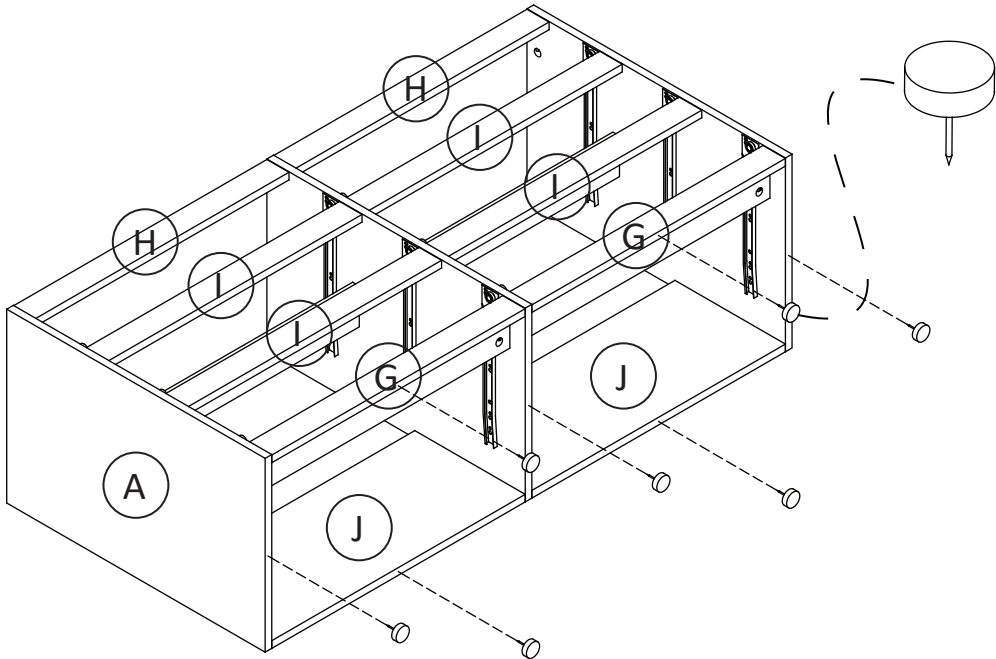
x6  
Cam Lock  
12-15



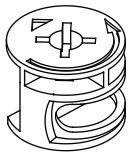
# Step 16



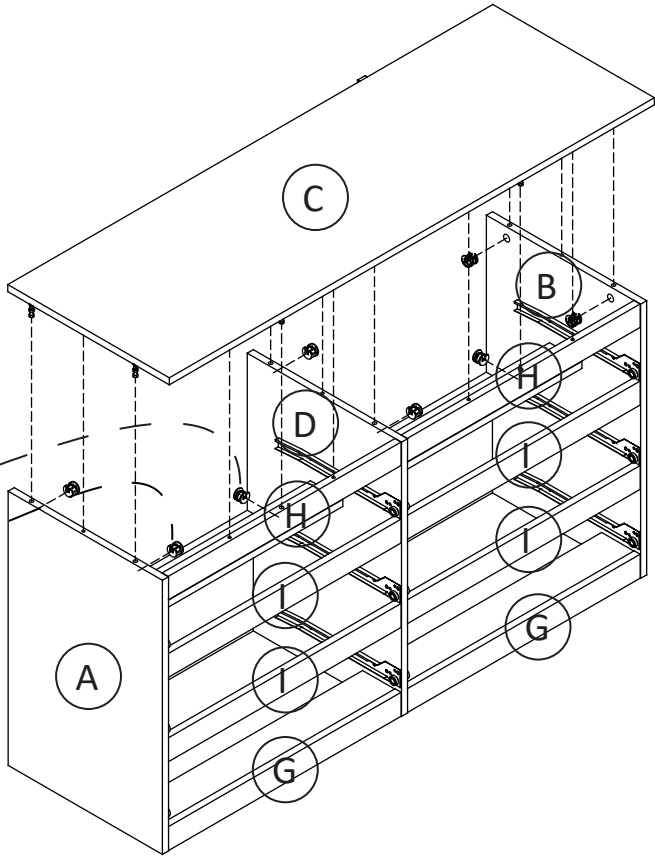
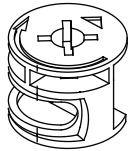
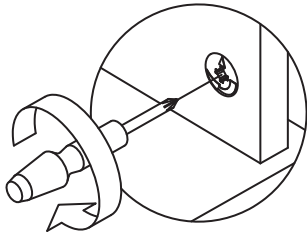
x7  
Nail Leg



# Step 17



x8  
Cam Lock  
12-15



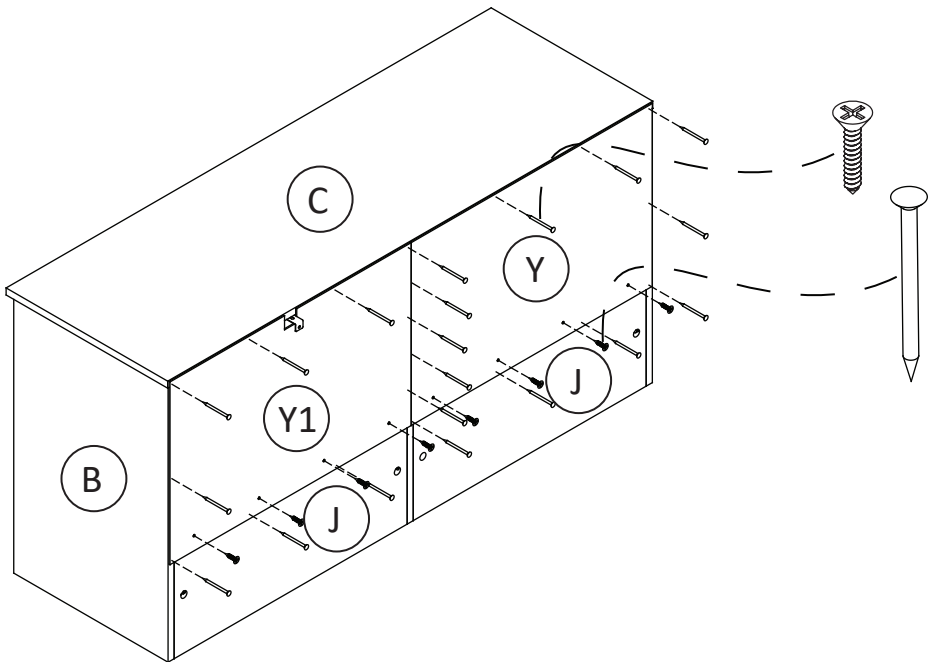
# Step 18



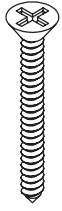
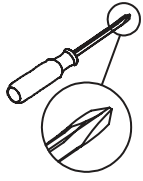
x8  
Csk Screw  
3.5 X 15



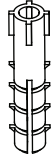
x20  
Nail Pin



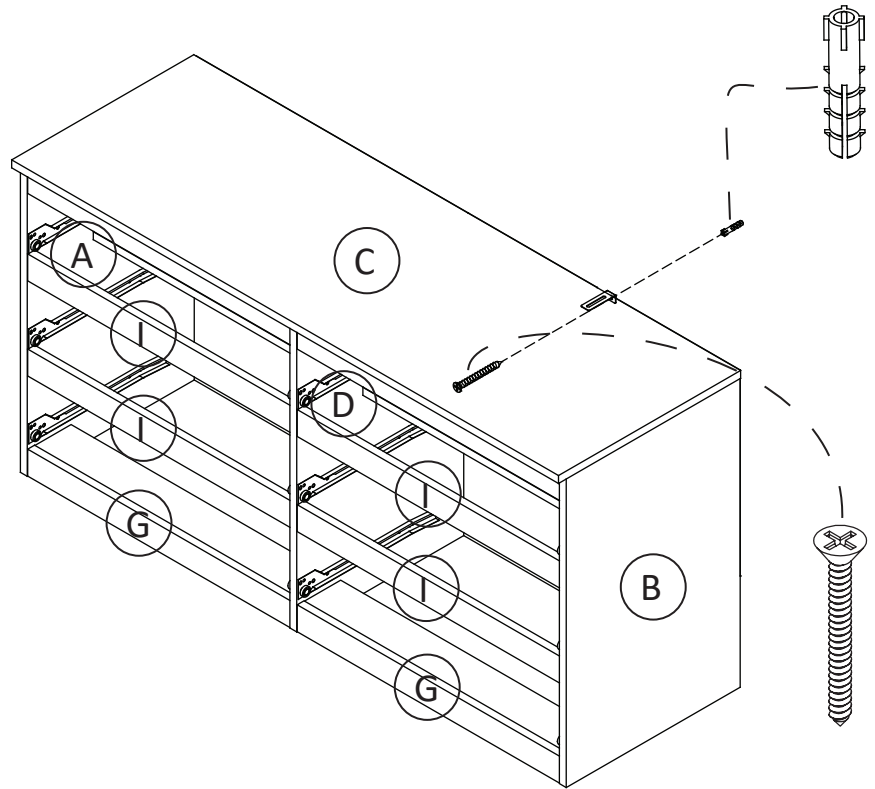
# Step 19



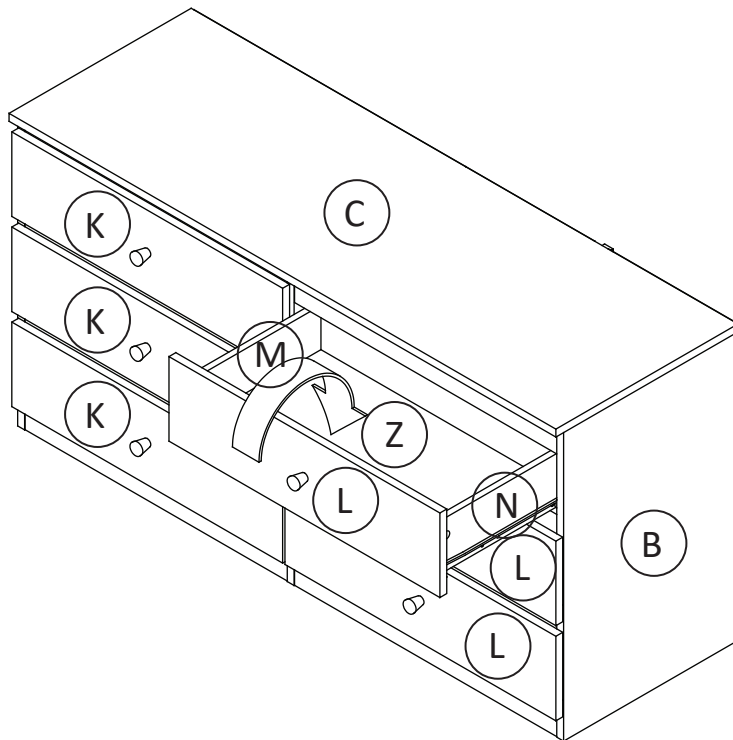
x1  
Csk Screw  
4 X 38



x1  
Wall Plug

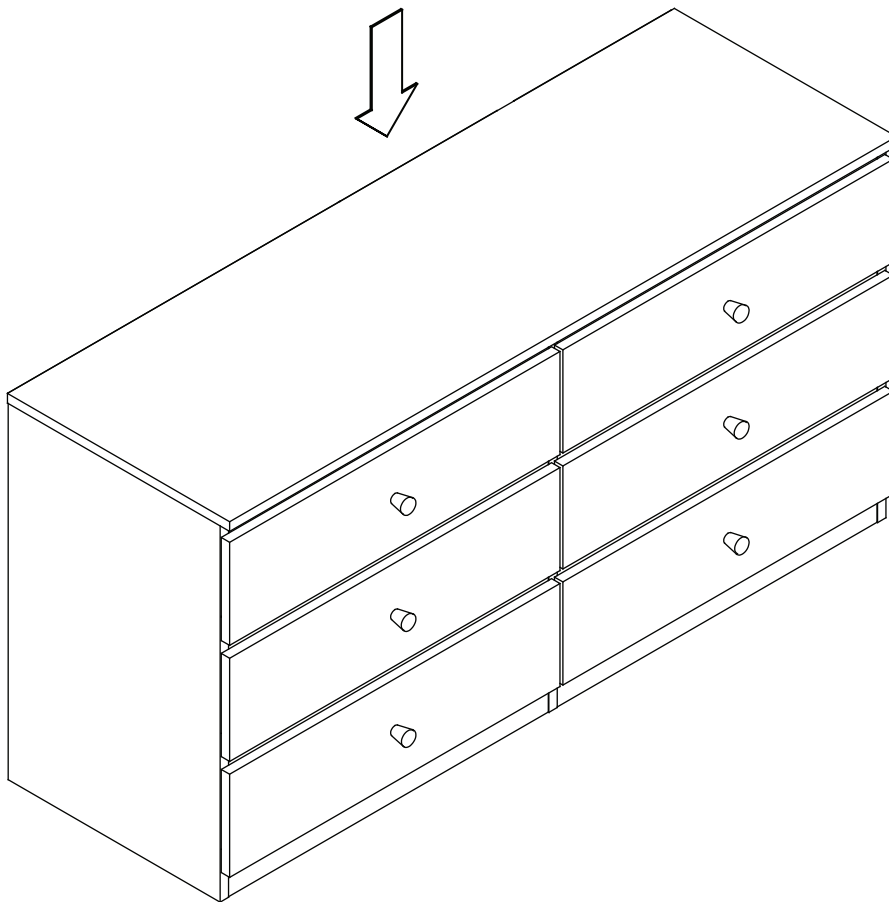


# Step 20



---

MAX WEIGHT LOAD: 22.04 LBS



## Tips for Proper Care and Maintenance of Particle Board Furniture

### Understanding Particle Board

#### Particle Board Composition:

Particle board is composed of wood particles, such as sawdust and wood chips, bonded together with adhesive under high pressure. The surface of particle board is typically covered with a laminate or veneer to enhance its appearance.

#### Sensitivity to Moisture:

One of the primary vulnerabilities of particle board is its sensitivity to moisture. Excessive exposure to water or high humidity can cause swelling, warping, or delamination.

### Cleaning and Maintenance Guidelines

#### 1. Dust Regularly:

Regular dusting is crucial to prevent the accumulation of dirt and grime on particle board surfaces. Use a soft, dry cloth or a duster to gently remove dust.

#### 2. Avoid Excess Water:

Particle board should not be cleaned with excessive water or harsh cleaning agents. Use a slightly damp (not wet) cloth with a mild cleaner specifically designed for wood surfaces.

#### 3. Protect from Direct Sunlight:

Prolonged exposure to direct sunlight can cause discoloration or fading of the particle board surface. Position furniture away from direct sunlight or use window coverings to reduce exposure.

#### 4. Use Coasters and Mats:

Protect particle board surfaces from hot items, spills, and scratches by using coasters, placemats, or felt pads under objects. This precaution prevents damage and preserves the furniture's appearance.

#### 5. Repair Minor Damage Promptly:

Address minor damage such as scratches or small chips promptly. You can use touch-up markers or putty to fill in and conceal minor imperfections. Ensure that the repair materials match the furniture's colour and finish.