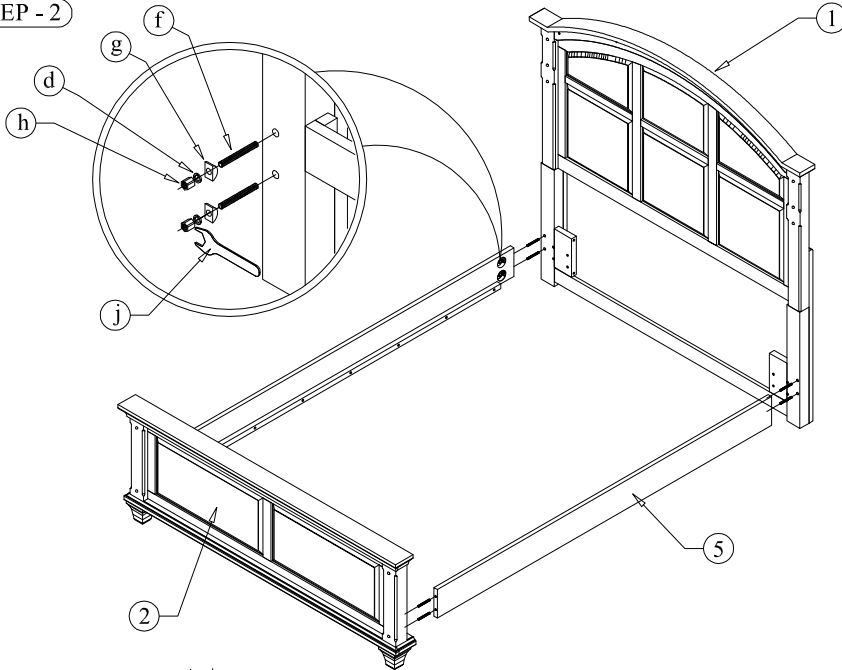


POSTER HEADBOARD POSTER FOOTBOARD

Assembly Instruction

STEP - 2



STEP - 3

