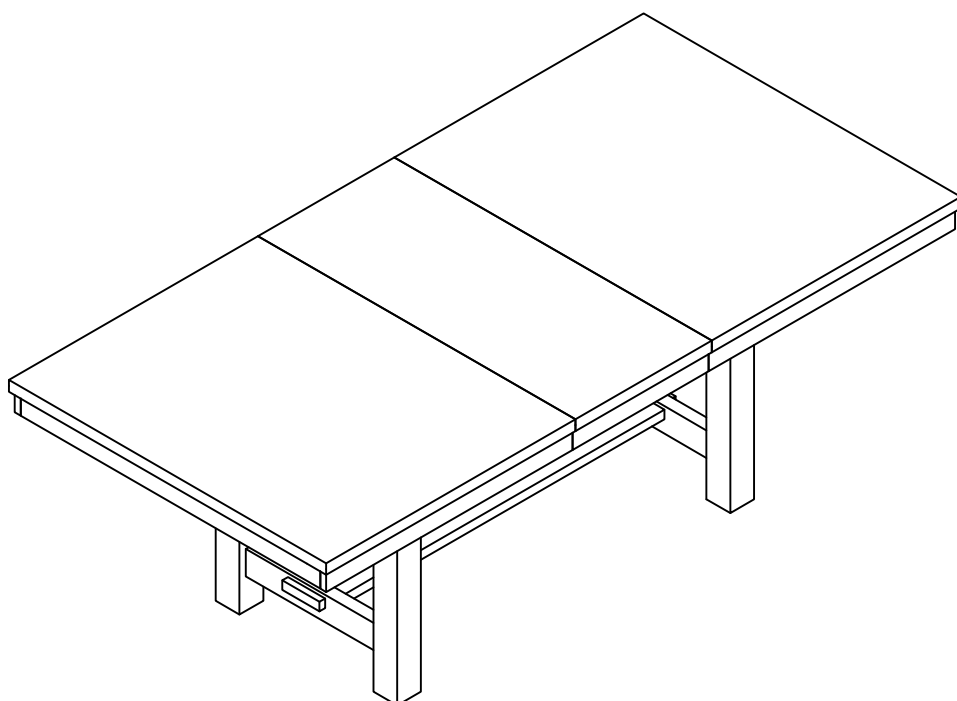


# ASSEMBLY INSTRUCTIONS

---



## TOOLS REQUIRED



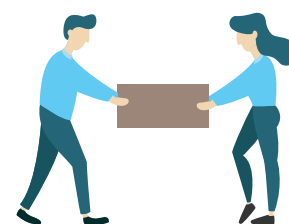
Allen Wrench

(Included)



Phillips  
Screwdriver

(Not Included)



**2 - People  
Recommended**

## ASSEMBLY RATING



EASY —————> DIFFICULT

The Assembly Rating is a 5-point system showing the level of effort needed to assemble a specific product.



## **CHECK BEFORE STARTING**

### **Are you missing anything?**

Double-check all parts, hardware and accessories listed are all accounted for.

### **Should we send any replacements?**

Are there any irregularities or flaws in the parts? We can send replacements!

### **Check out our Quick Tips!**

We recommend reviewing the pre-assembly handouts. Even experts need a refresher now and then!

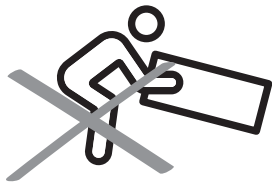
### **Prep Time!**

Please review the assembly instructions and all diagrams prior to assembling.

---

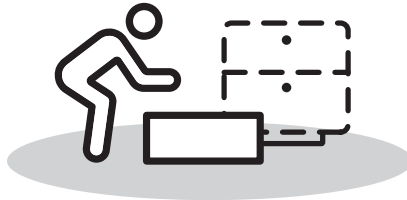
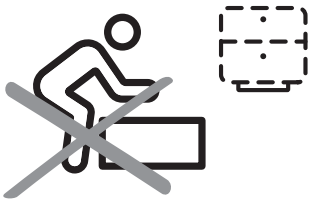
# PRE ASSEMBLY INTRODUCTION

We understand building ready-to-assemble furniture can be a challenging experience for some. To help avoid confusion, we have provided some helpful tips that may speed up the process.



## Teamwork

ALWAYS have at least two people to help with transporting and assembling the product to avoid potential injury and/or damage.



## Suitable Location

Assembling near the area of the intended location is highly recommended.



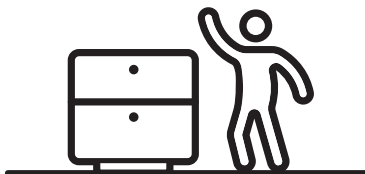
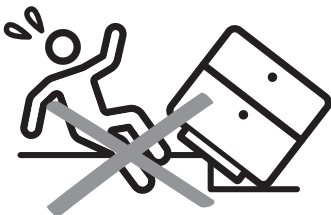
## Sufficient Space

Make sure you have enough space to move around during the assembly.



## Avoid Scratches

Use cardboard, blankets or a carpeted area while assembling furniture to prevent to prevent scratches and damages.



## Flat Surface

Make sure the furniture rests on a flat and level surface with each leg evenly touching the floor.

# ASSEMBLY AND CARE ADVICE



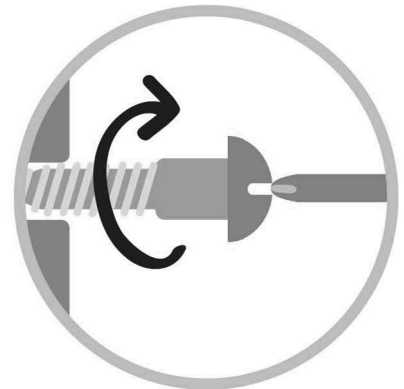
**FAILURE TO FOLLOW THE GUIDELINES BELOW MAY RESULT IN INJURY AND/OR PROPERTY DAMAGE.**



Position each part correctly and insert screws or bolts into their respective holes.



Use the appropriate hand tools or power tools for assembly. Select steps, such as tightening screws and/or bolts, may require hand tools to avoid causing damage during assembly.



Turn clockwise to tighten and only tighten when step is completed or when instructed to do so.



Save the instructions and store any supplied tools for later maintenance.



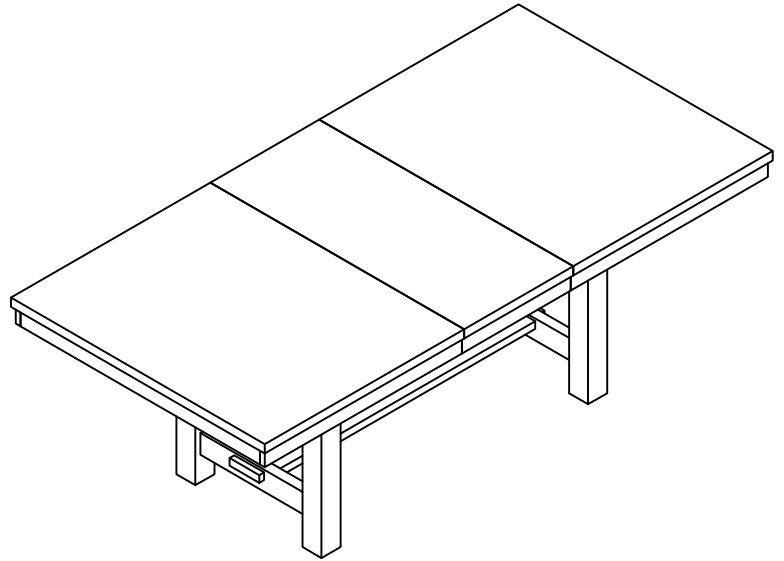
After two weeks, check and tighten any loose hardware and repeat again every six months thereafter.

**IT IS THE USER'S RESPONSIBILITY TO MAINTAIN THE FURNITURE. THE HARDWARE MAY LOOSEN OVER TIME AND MAY CAUSE THE FURNITURE TO BE WOBBLY AND UNABLE TO SUPPORT ITS INTENDED WEIGHT CAPACITY. THIS MAY LEAD TO COLLAPSE AND MAY CAUSE SERIOUS INJURY.**

# TABLE



- Please keep instructions for future reference.
- Check the quantity and irregularity of parts and hardware before you start.



## PARTS

#1 1pc

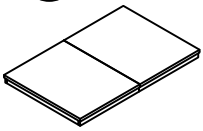


Table Top

#2 1pc

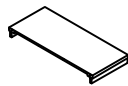


Table Leaf

#3 4pcs

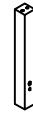


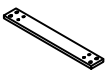
Table Leg

#4 2pcs



Short Stretcher

#5 2pcs



Support Top

#6 1pc



Long Stretcher

#7 2pcs



Patching Wood

## HARDWARE

#A 16pcs



Bolt Ø5/16" x 1-3/4"

#B 6pcs



Bolt Ø5/16" x 2-3/8"

#C 22pcs



Lock Washer Ø5/16"

#D 22pcs



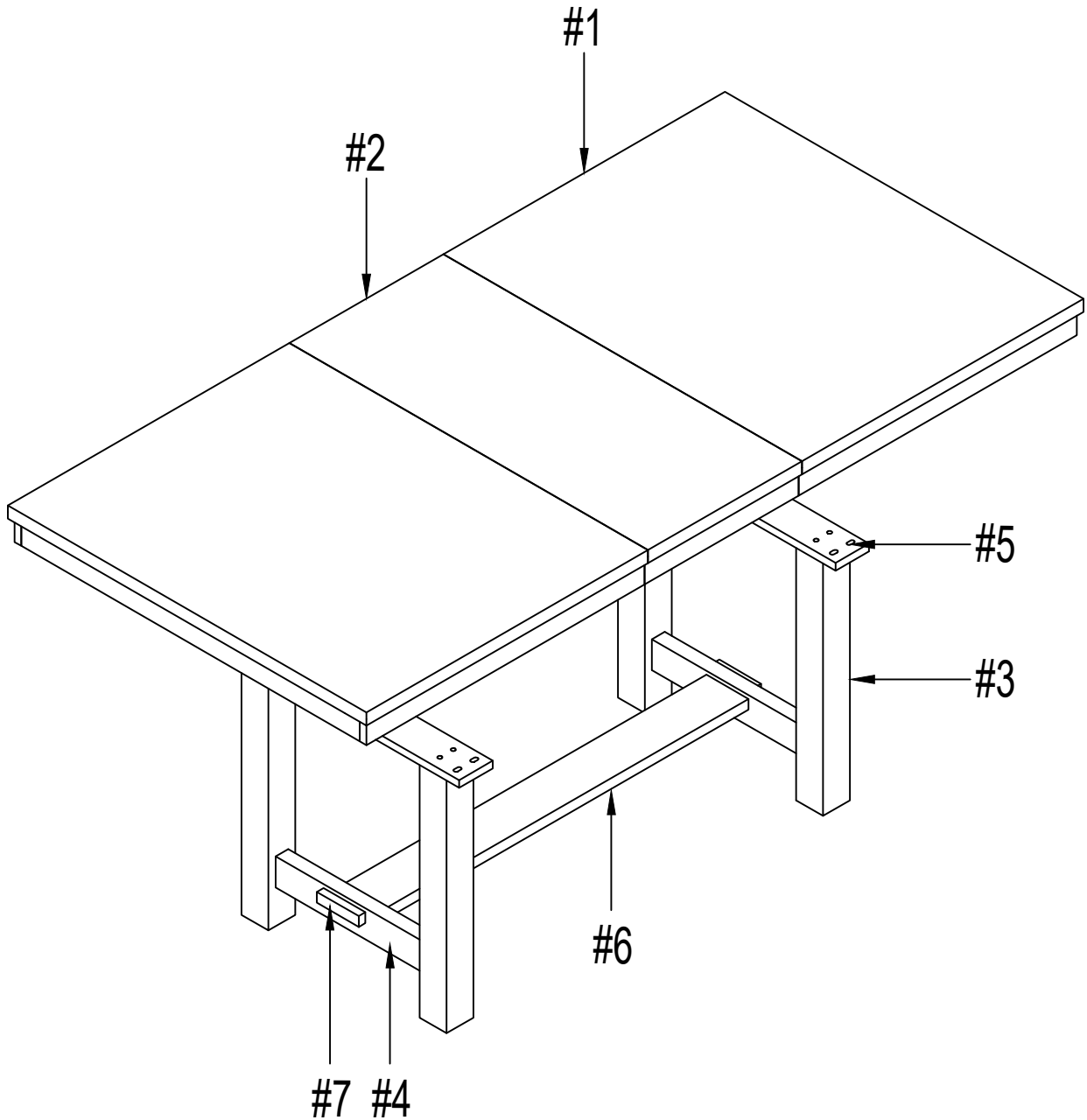
Flat Washer Ø5/16"x19mm

#E 1pc



Allen Wrench 4mm

# Exploded View



# ASSEMBLY INSTRUCTIONS

1

Part #3 x4pcs

Part #4 x2pcs

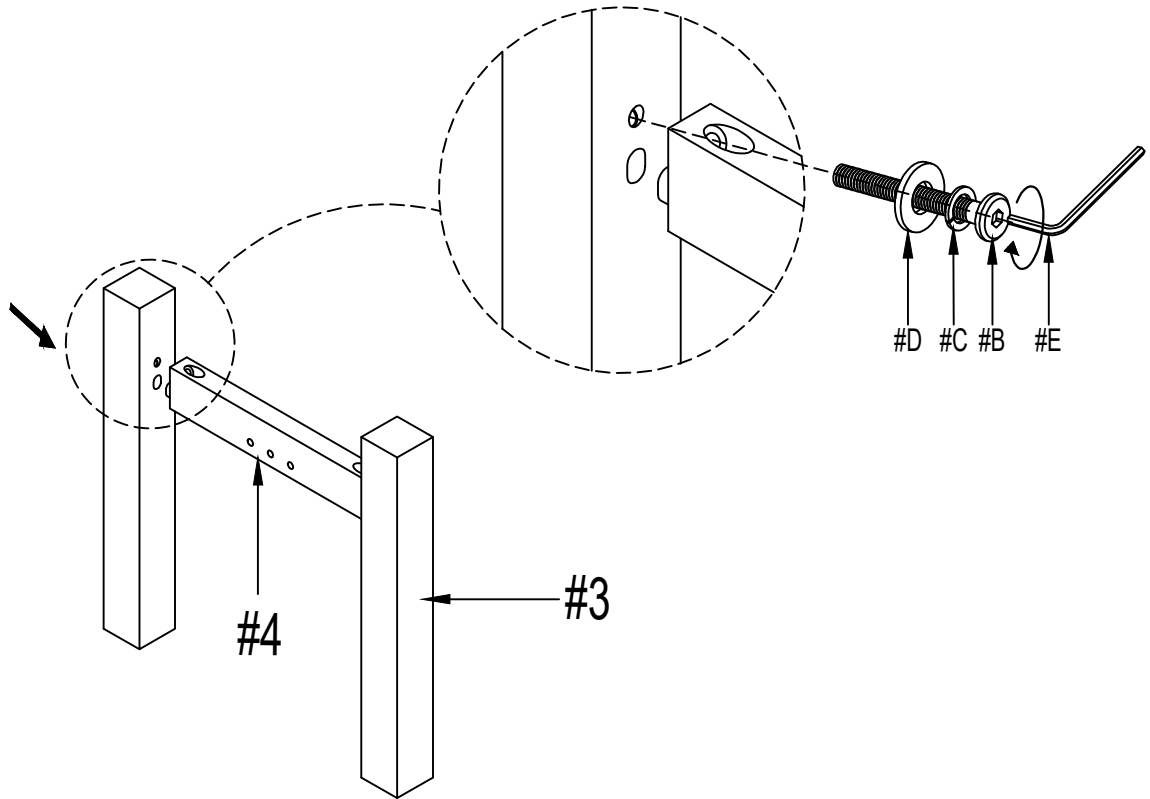
Hardware #B x4pcs

Hardware #C x4pcs

Hardware #D x4pcs

Hardware #E x1pc

Align the Table leg (#3) to the Short stretcher (#4). Secure by using Bolt (#B) with Lock washer (#C) and Flat washer (#D).



2

Part #5 x2pcs

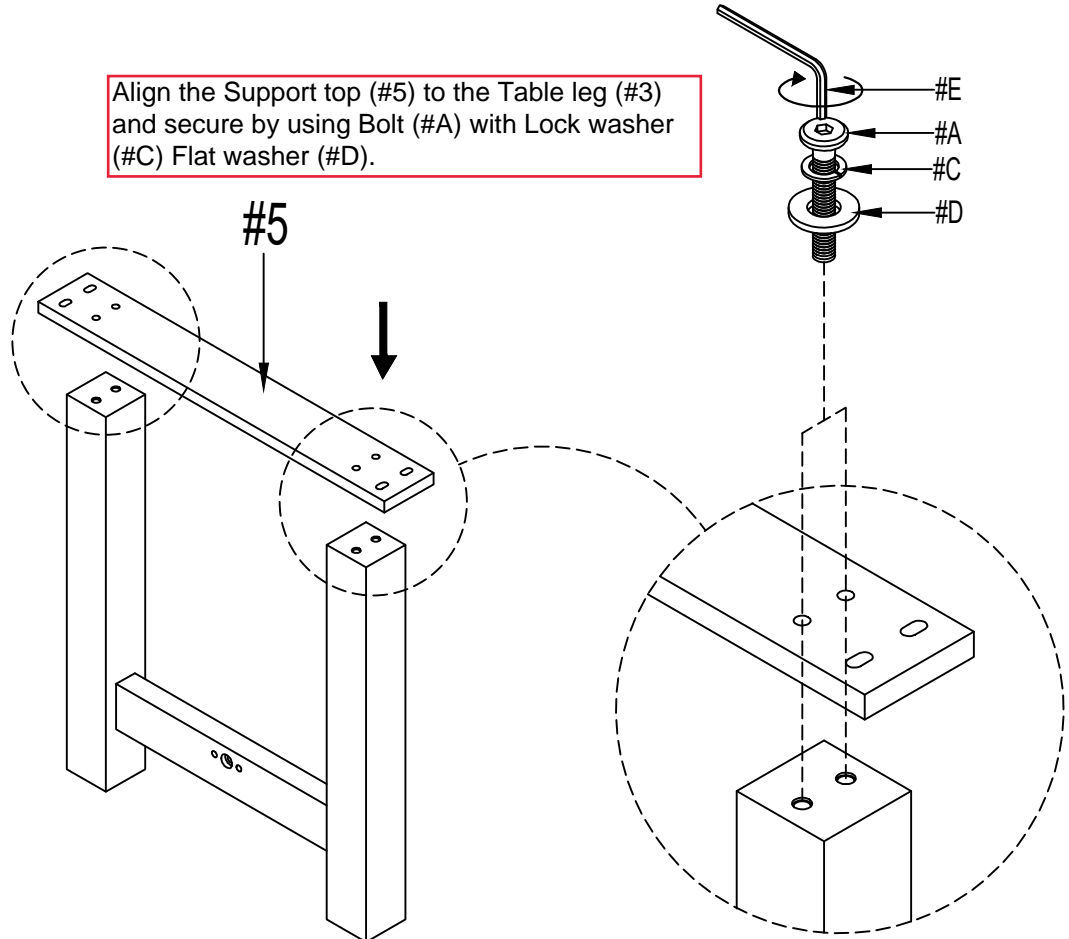
Hardware #A x8pcs

Hardware #C x8pcs

Hardware #D x8pcs

Hardware #E x1pc

Align the Support top (#5) to the Table leg (#3) and secure by using Bolt (#A) with Lock washer (#C) Flat washer (#D).

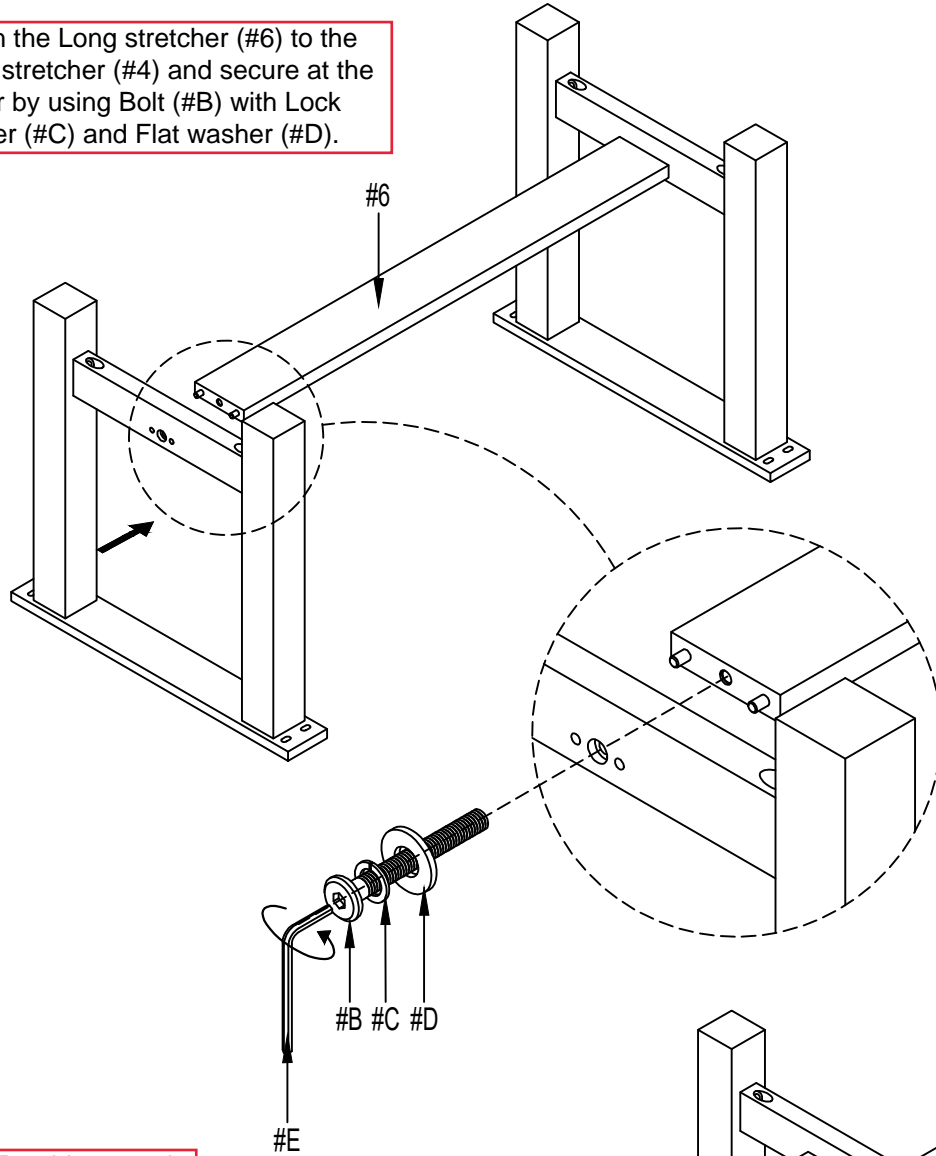


# ASSEMBLY INSTRUCTIONS

3

- Part #6 x1pc
- Hardware #B x2pcs
- Hardware #C x2pcs
- Hardware #D x2pcs
- Hardware #E x1pc

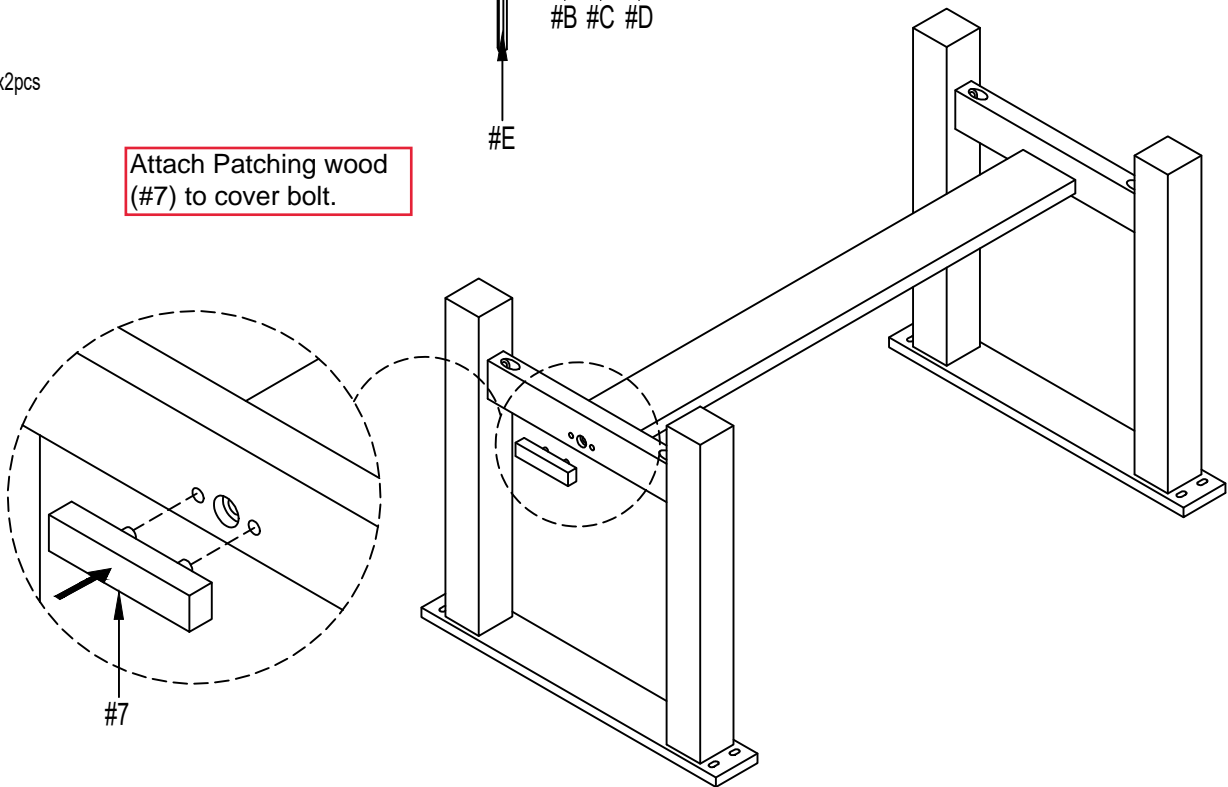
Attach the Long stretcher (#6) to the Short stretcher (#4) and secure at the center by using Bolt (#B) with Lock washer (#C) and Flat washer (#D).



4

- Part #7 x2pcs

Attach Patching wood (#7) to cover bolt.



# ASSEMBLY INSTRUCTIONS

5

Part #1 x1pc

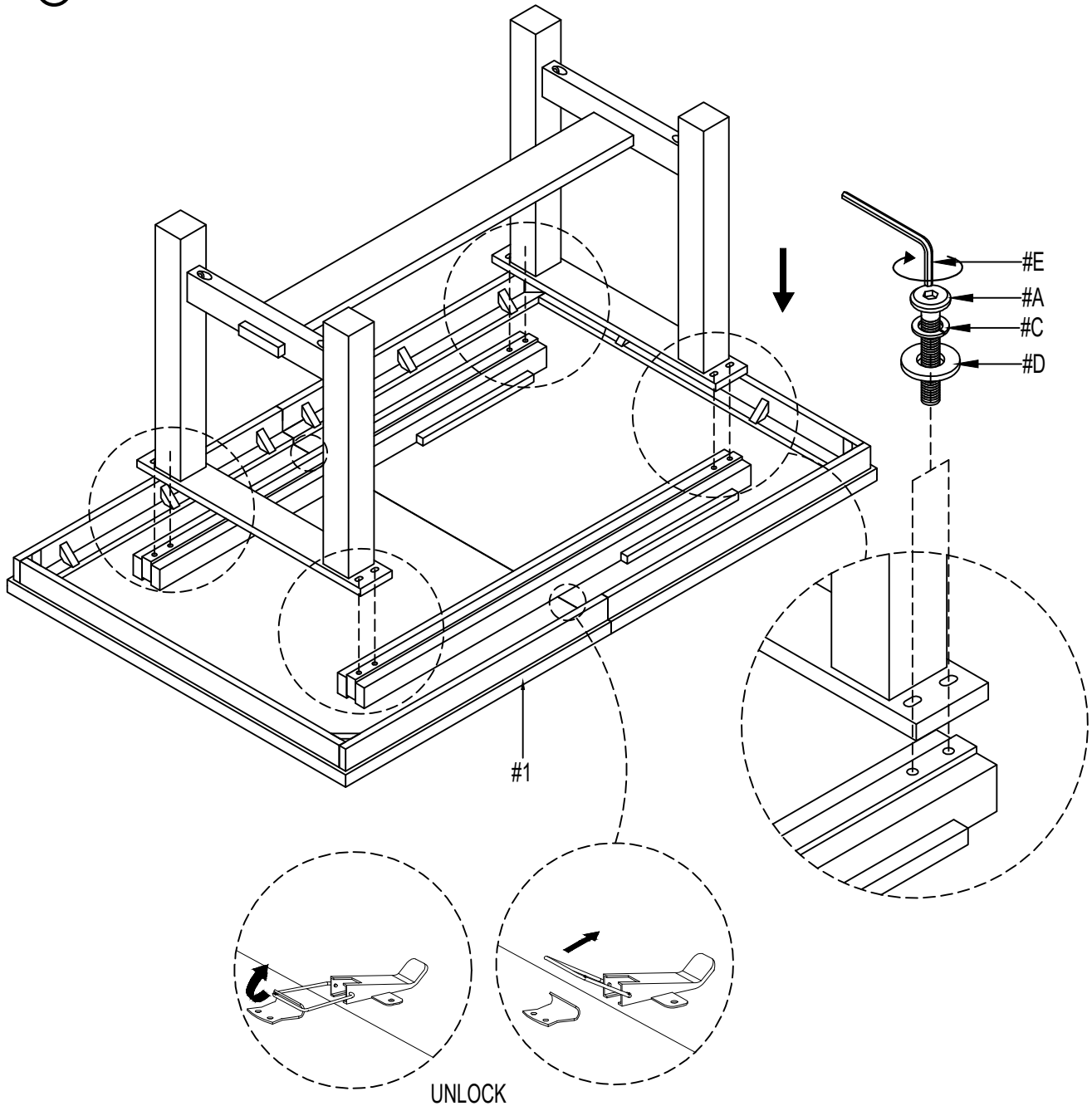
Hardware #A x8pcs

Hardware #C x8pcs

Hardware #D x8pcs

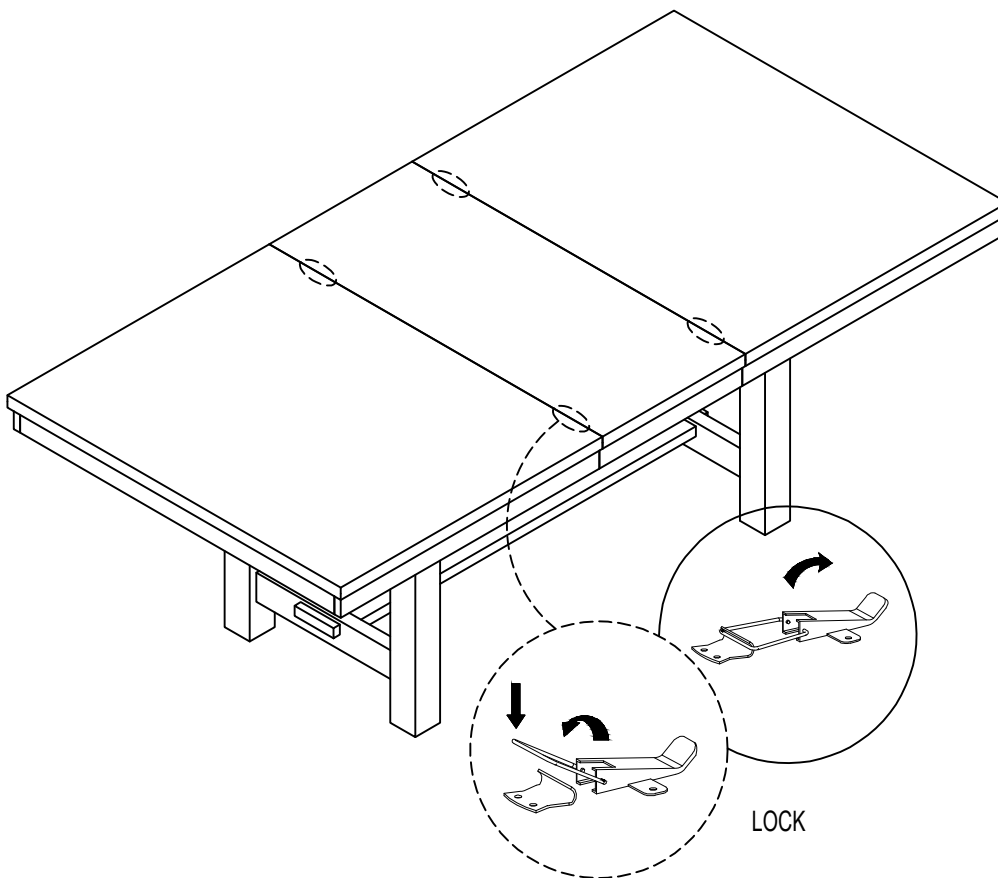
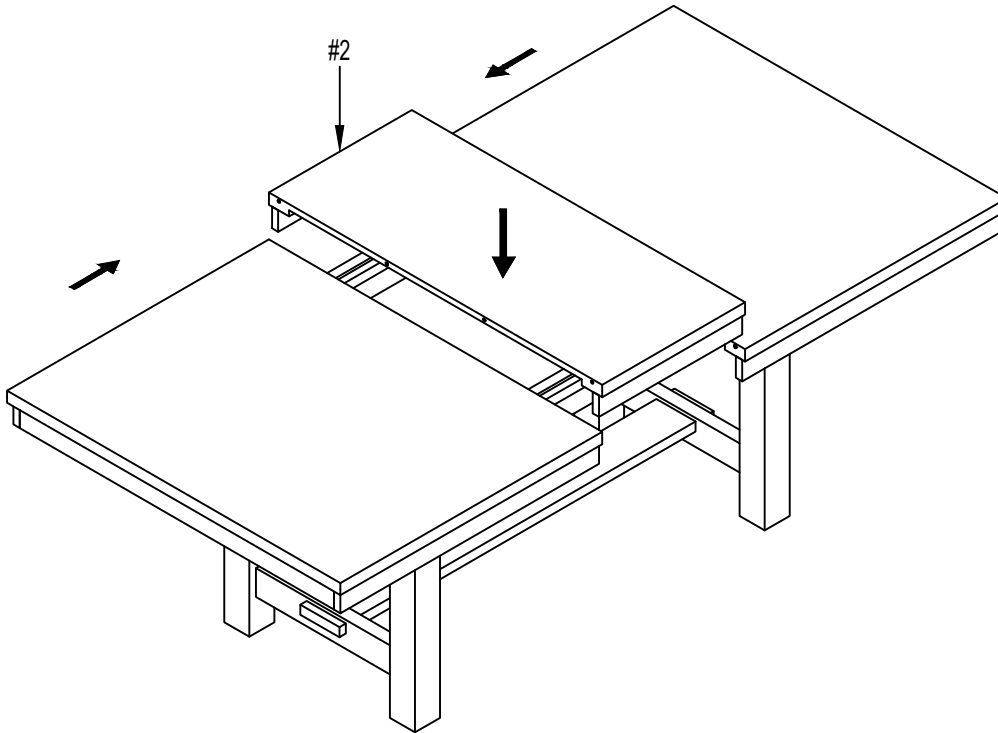
Hardware #E x1pc

Align and attach the base assembly to the Table top (#1) with Bolt (#A) and Lock washer (#C) and Flat washer (#D).



# ASSEMBLY INSTRUCTIONS

6



ASSEMBLY IS COMPLETED

## ASSEMBLY COMPLETED



Please ensure the furniture rests on an even and flat surface. If the product wobbles or feels loose, double-check all bolts and/or screws are properly tightened and secured.



### Keep this handy!

Please retain this instruction manual and any order-related information for future reference.

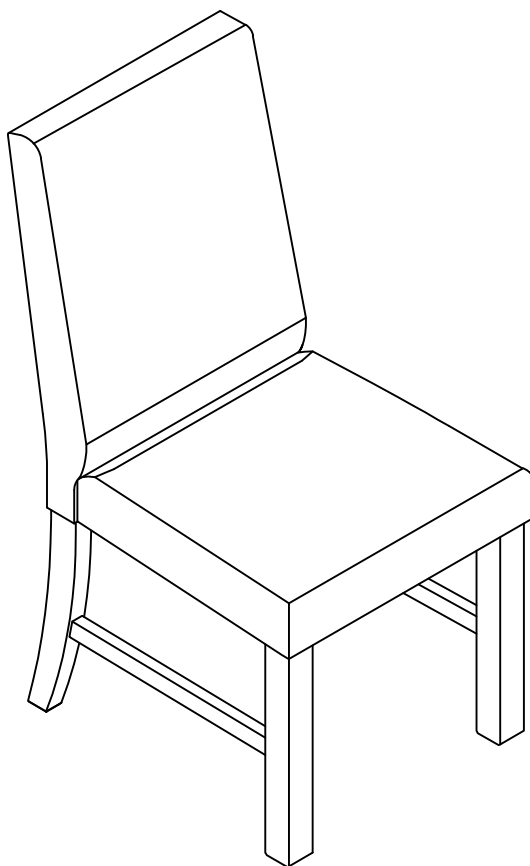


### Lift, don't drag!

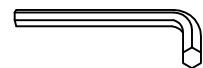
To avoid damage to product please always LIFT the product when transporting or adjusting the placement.

# ASSEMBLY INSTRUCTIONS

---



## TOOLS REQUIRED



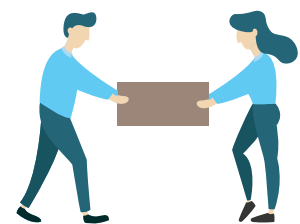
**Allen Wrench**

(Included)



**Phillips  
Screwdriver**

(Not Included)



**2 - People  
Recommended**

## ASSEMBLY RATING



EASY —————> DIFFICULT

The Assembly Rating is a 5-point system showing the level of effort needed to assemble a specific product.



## **CHECK BEFORE STARTING**

### **Are you missing anything?**

Double-check all parts, hardware and accessories listed are all accounted for.

### **Should we send any replacements?**

Are there any irregularities or flaws in the parts? We can send replacements!

### **Check out our Quick Tips!**

We recommend reviewing the pre-assembly handouts. Even experts need a refresher now and then!

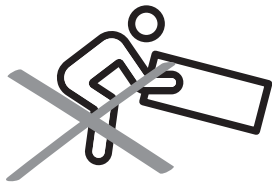
### **Prep Time!**

Please review the assembly instructions and all diagrams prior to assembling.

---

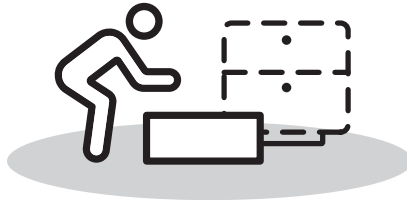
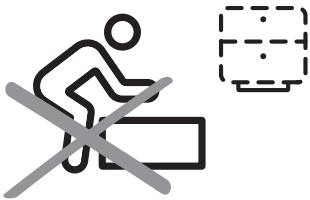
# PRE ASSEMBLY INTRODUCTION

We understand building ready-to-assemble furniture can be a challenging experience for some. To help avoid confusion, we have provided some helpful tips that may speed up the process.



## Teamwork

ALWAYS have at least two people to help with transporting and assembling the product to avoid potential injury and/or damage.



## Suitable Location

Assembling near the area of the intended location is highly recommended.



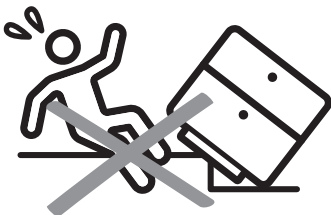
## Sufficient Space

Make sure you have enough space to move around during the assembly.



## Avoid Scratches

Use cardboard, blankets or a carpeted area while assembling furniture to prevent to prevent scratches and damages.



## Flat Surface

Make sure the furniture rests on a flat and level surface with each leg evenly touching the floor.

# ASSEMBLY AND CARE ADVICE



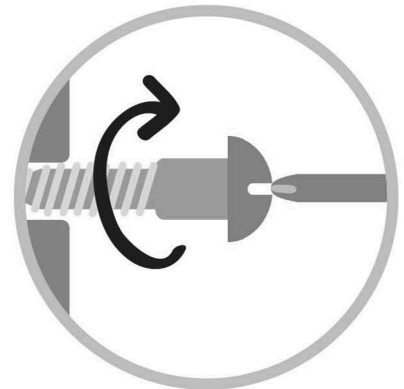
**FAILURE TO FOLLOW THE GUIDELINES BELOW MAY RESULT IN INJURY AND/OR PROPERTY DAMAGE.**



Position each part correctly and insert screws or bolts into their respective holes.



Use the appropriate hand tools or power tools for assembly. Select steps, such as tightening screws and/or bolts, may require hand tools to avoid causing damage during assembly.



Turn clockwise to tighten and only tighten when step is completed or when instructed to do so.



Save the instructions and store any supplied tools for later maintenance.



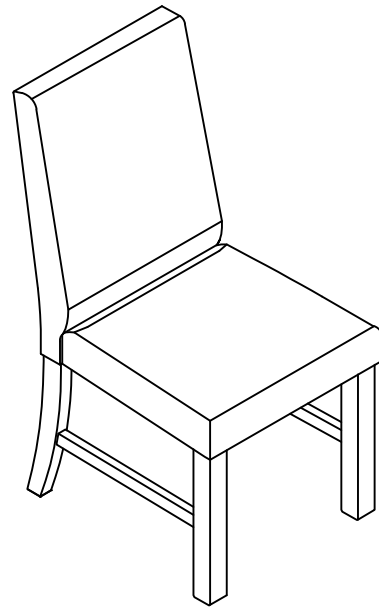
After two weeks, check and tighten any loose hardware and repeat again every six months thereafter.

**IT IS THE USER'S RESPONSIBILITY TO MAINTAIN THE FURNITURE. THE HARDWARE MAY LOOSEN OVER TIME AND MAY CAUSE THE FURNITURE TO BE WOBBLY AND UNABLE TO SUPPORT ITS INTENDED WEIGHT CAPACITY. THIS MAY LEAD TO COLLAPSE AND MAY CAUSE SERIOUS INJURY.**

# CHAIR

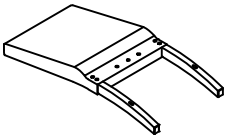


- Please keep instructions for future reference.
- Check the quantity and irregularity of parts and hardware before you start.



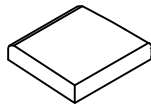
## PARTS

#1 1pc x 2



Chair Back

#2 1pc x 2



Cushion Seat

#3 2pcs x 2



L&R Front Leg

#4 2pcs x 2



L&R Side Stretcher

## HARDWARE

#A 6pcs x 2



Bolt  $\text{\O}5/16'' \times 2-1/8''$

#B 4pcs x 2



Bolt  $\text{\O}5/16'' \times 3-1/8''$

#C 10pcs x 2



Lock Washer  $\text{\O}5/16''$

#D 10pcs x 2



Flat Washer  $\text{\O}5/16'' \times 19\text{mm}$

#E 1pc x 2



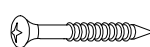
Allen Wrench 4mm

#F 2pcs x 2



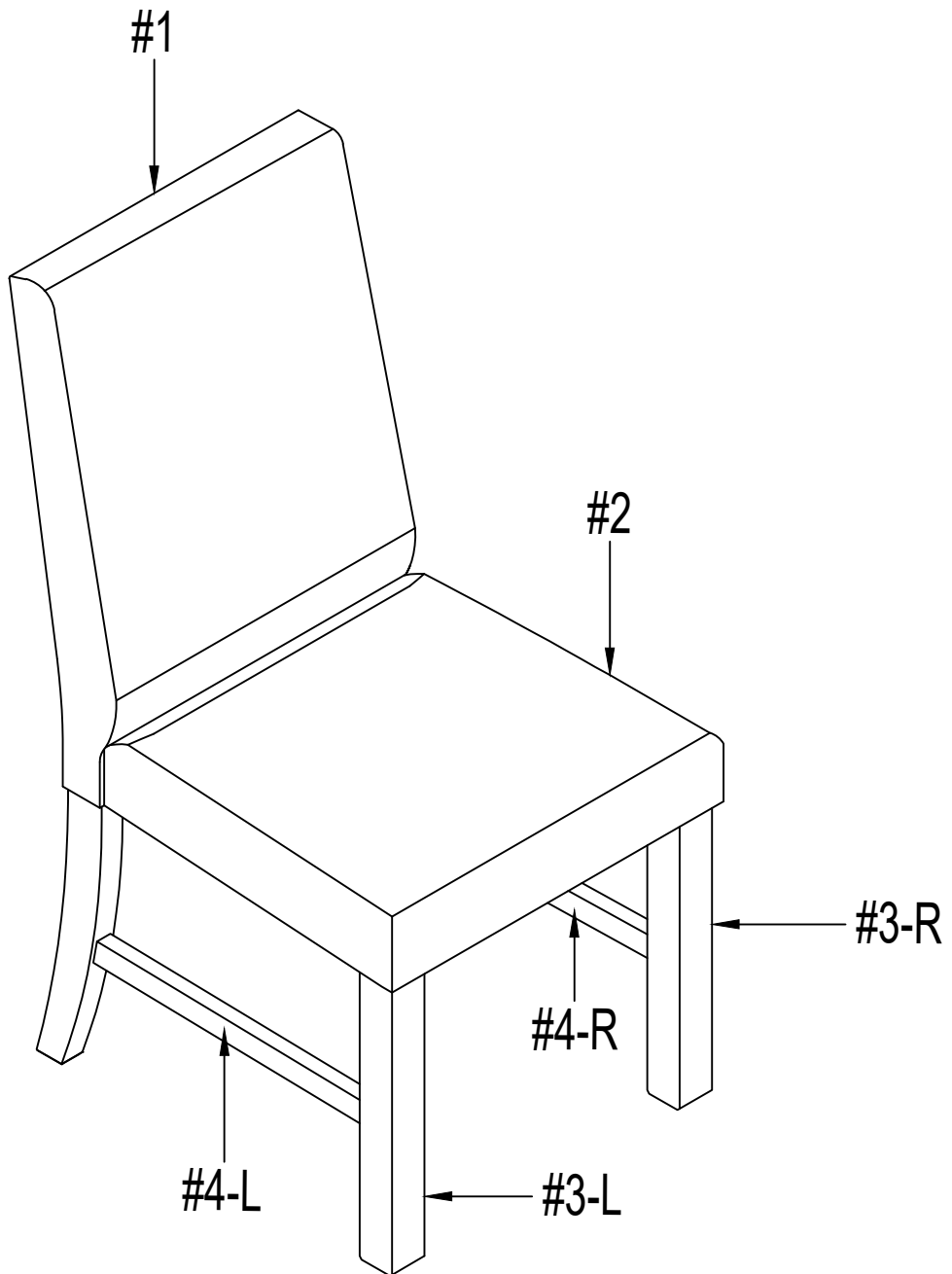
Wooden Dowel  
( $\text{\O}10 \times 30\text{mm}$ )

#G 4pcs x 2



Screw #4x45mm

# Exploded View

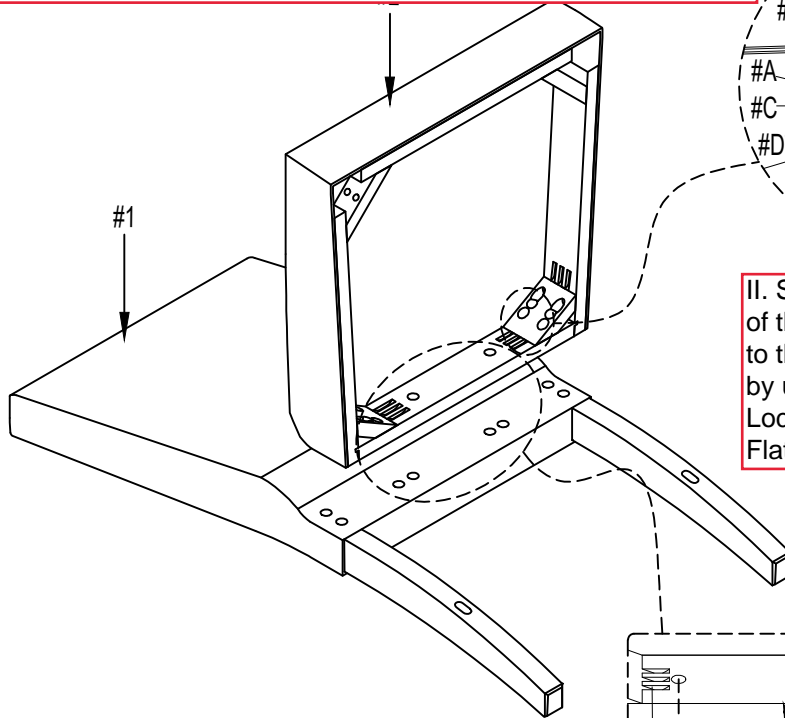


# ASSEMBLY INSTRUCTIONS

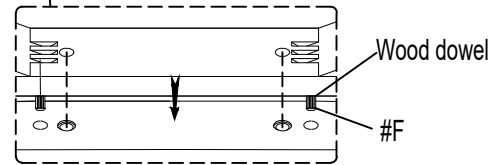
1

I. Attach wood dowel to the Cushion seat (#2) as shown in the diagram. Then align the Cushion set (#2) to the Chair back (#1) and secure at the center by using Bolt (#A) with Lock washer (#C) and Flat washer (#D).

- Part #1 x1pc
- Part #2 x1pc
- Hardware #A x4pcs
- Hardware #B x4pcs
- Hardware #C x6pcs
- Hardware #D x6pcs
- Hardware #E x2pcs
- Hardware #F x2pcs



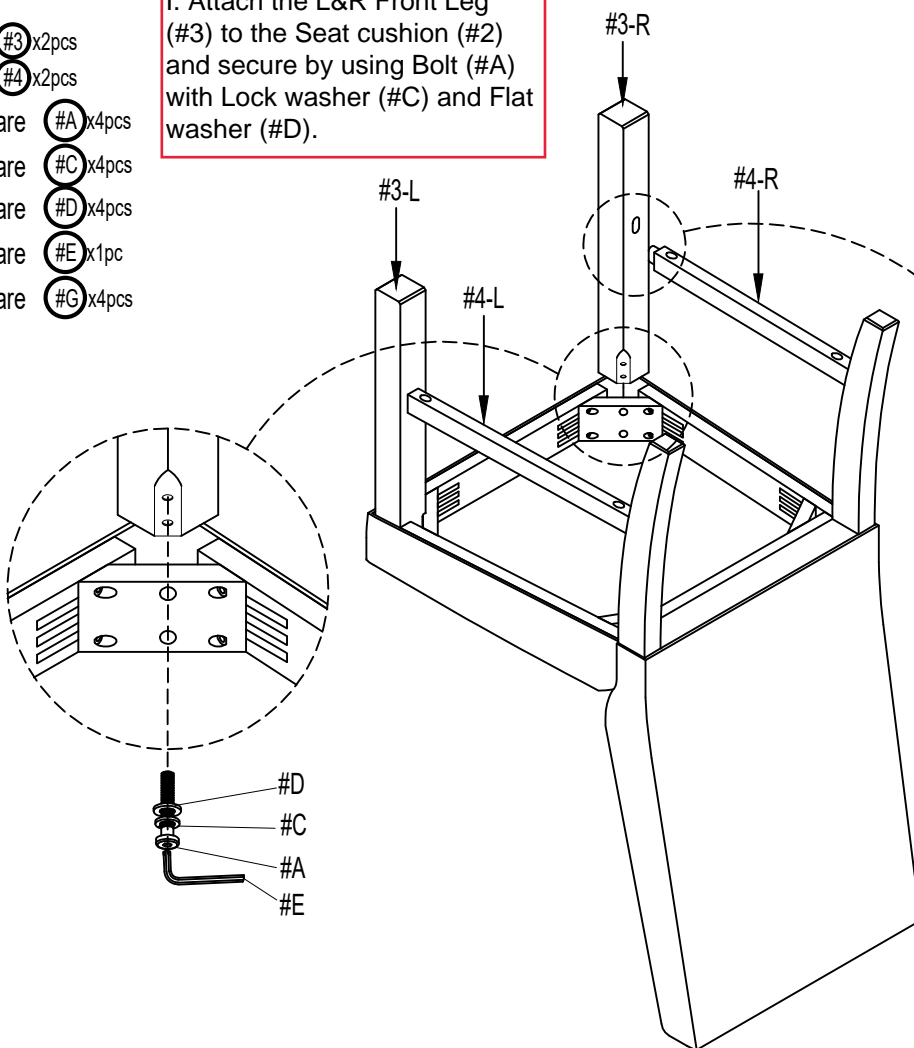
II. Secure the corners of the Chair seat (#2) to the Chair back (#1) by using Bolt (#B) with Lock washer (#C) and Flat washer (#D).



2

I. Attach the L&R Front Leg (#3) to the Seat cushion (#2) and secure by using Bolt (#A) with Lock washer (#C) and Flat washer (#D).

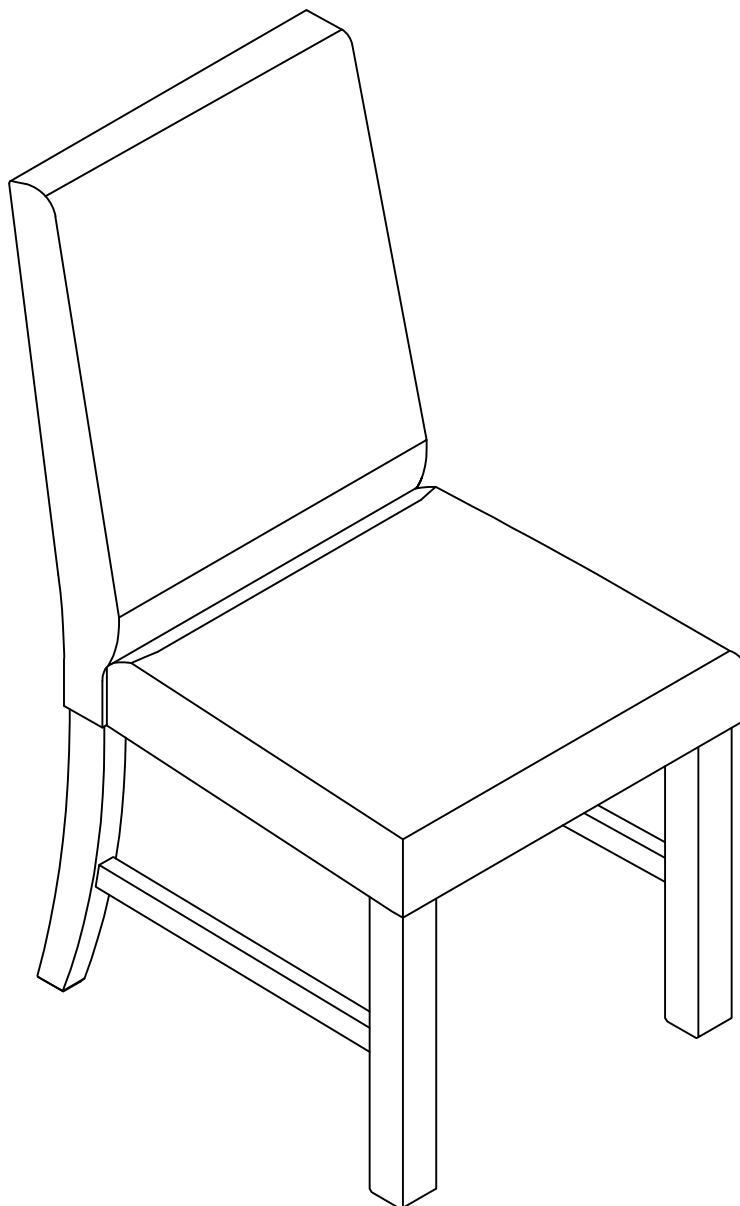
- Part #3 x2pcs
- Part #4 x2pcs
- Hardware #A x4pcs
- Hardware #C x4pcs
- Hardware #D x4pcs
- Hardware #E x1pc
- Hardware #G x4pcs



II. Align the L&R Side Stretcher between the legs and secure by using Screw (#G).

# ASSEMBLY INSTRUCTIONS

3



## ASSEMBLY COMPLETED



Please ensure the furniture rests on an even and flat surface. If the product wobbles or feels loose, double-check all bolts and/or screws are properly tightened and secured.



### **Keep this handy!**

Please retain this instruction manual and any order-related information for future reference.



### **Lift, don't drag!**

To avoid damage to product please always LIFT the product when transporting or adjusting the placement.