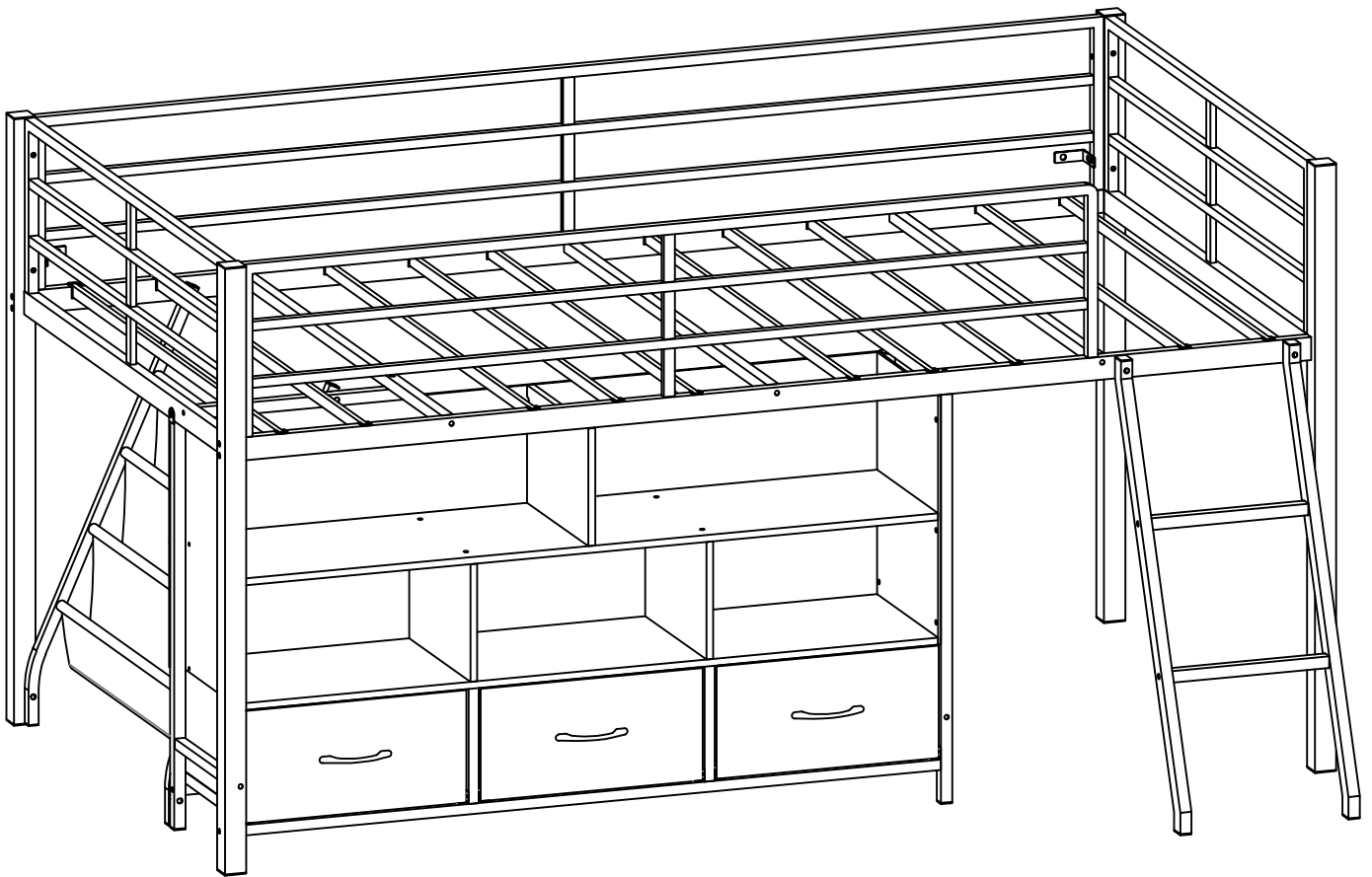


# Loft Bed

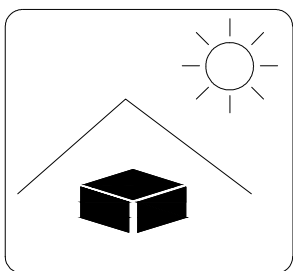


Please install the anti-tipping device  
correctly according to the instructions

# Package Contents

Plates and iron components	Assembly tool kit	Instruction manual
----------------------------	-------------------	--------------------

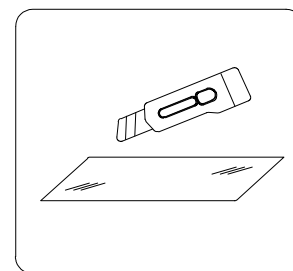
## Precautions



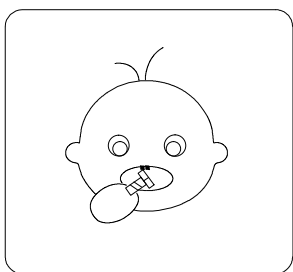
1. Avoid long-term direct sunlight exposure



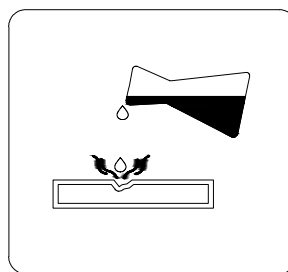
2. Stay away from fire



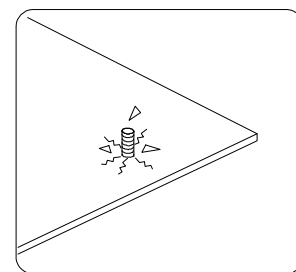
3. Keep away from sharp objects



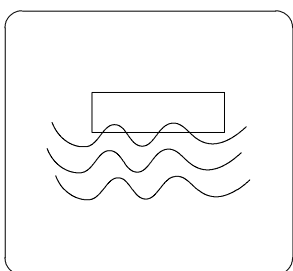
4. Keep infants/children away from assembly parts to avoid choking and suffocation.



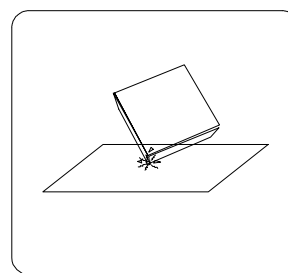
5. Keep away from corrosive substances



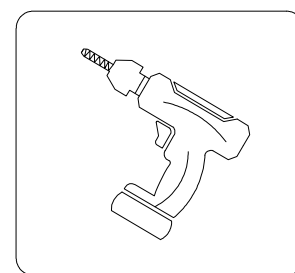
6. Please use the correct screws, otherwise the plate will be damaged.



7. Prevent objects from being damaged by immersion in water



8. Prevent object collision and damage



9. An electric drill is recommended for installation

# Problems You May Encounter

PART	PROBLEM	SOLUTION
Whole Product	Parts are missing, defective or having wrong parts in package.	You can contact us and we will get back to you within 24 hours
	Having issue(s) while reading the instruction or completing the assembly.	Feel free to contact us and we will get back to you within 24 hours.
	Encountering non-human caused damage during usage.	If the product is damaged due to non-human causes, please keep the product and send us photos of it. We will ascertain the cause of the product damage within 48 hours and provide you with a satisfactory solution.
Product Surface	Board Surface is broken, scratched or lack of some screw holes.	Feel free to contact us and we will get back to you within 24 hours.
	The screw holes on the wooden board and other wooden boards are not aligned.	1.Please tighten the screws on the board by 70 %, do not tighten completely. 2. Adjust the wooden board and board. Until the holes are arranged neatly, then tighten all screws
	Desktop misalignment and unevenness	1.Please tighten the screws connecting the table board to the elevator by 70%, do not tighten them completely. 2.Adjust to a flat and aligned desktop, then tighten the screws. 3.If your problem still can't be solved, please feel free to contact us.
Metal accessories	Metal accessories are damaged, rusted, bent, and broken.	Feel free to contact us and we will get back to you within 24 hours.
	unstable after being assembled.	1.Check if the screws are tightened. 2.Read throughout the manual, check if there are any parts installed incorrectly or some parts are missed to be installed. 3.If the problem still can't be solved, please feel free to contact us.
	Encountering non-human caused damage during usage.	If the product is damaged due to non-human causes, please keep the product and send us photos of it. We will ascertain the cause of the product damage within 48 hours and provide you with a satisfactory solution.

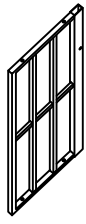
# PARTS LIST



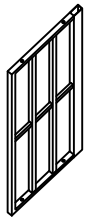
1  
x1



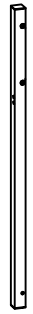
2  
x1



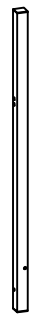
3  
x1



4  
x1



5  
x1



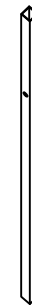
6  
x1



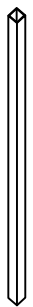
7  
x1



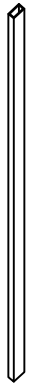
8  
x1



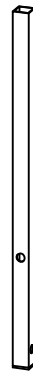
9  
x1



10  
x2



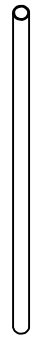
11  
x10



12  
x1



13  
x2



14  
x4



15  
x1



16  
x2



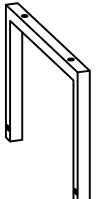
17  
x1



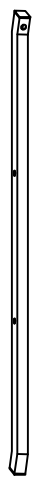
18  
x1



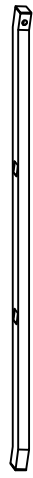
19  
x2



20  
x2



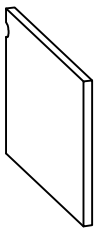
21  
x1



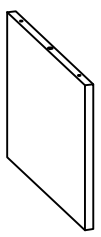
22  
x1



23  
x2



24  
x1



25  
x2



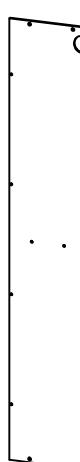
26  
x1



27  
x1



28  
x2



29  
x1



30  
x1

# HARDWARE LIST



**A**

Ø6\*30  
x5



**B**

x3



**C**

4\*12  
x6



**D**

x3



**E**

x3



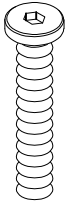
**F**

Ø18\*8  
x8



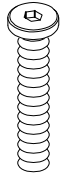
**G**

Ø5\*37  
x30+3



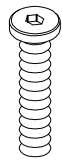
**H**

M8\*60  
x8



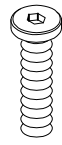
**I**

M6\*60  
x3



**J**

M6\*48  
x1



**K**

M6\*40  
x35+3



**L**

M6\*30  
x10+1



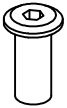
**M**

M6\*25  
x8



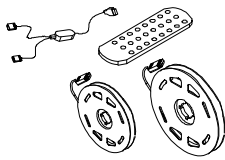
**N**

M6\*15  
x20+2



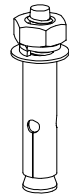
**O**

M6\*17  
x7



**P**

x1



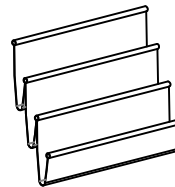
**Q**

x2



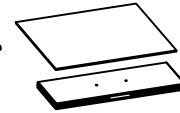
**R**

x4



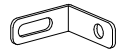
**S**

x1



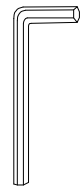
**T**

x3



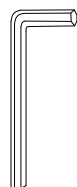
**U**

x2



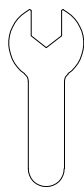
**V**

M3  
x1



**W**

M4  
x2



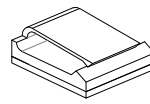
**X**

x1



**Y**

x2



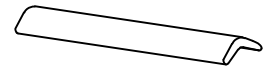
**Z**

x7



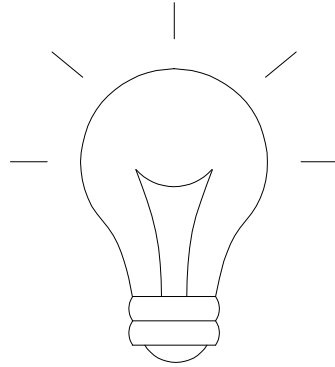
**AA**

x1



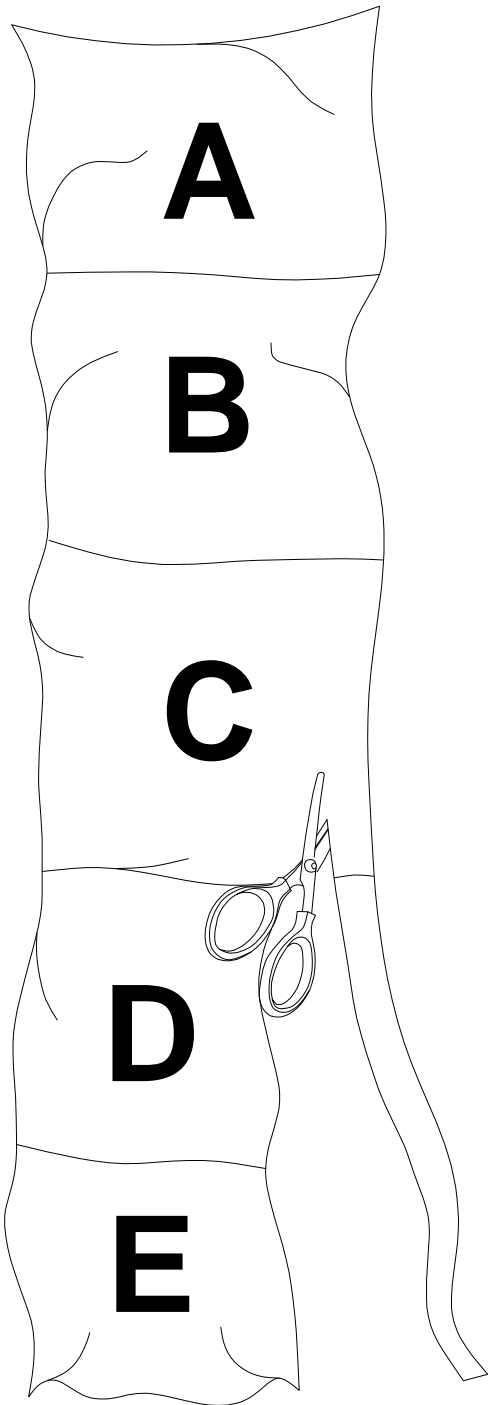
**AB**

x2



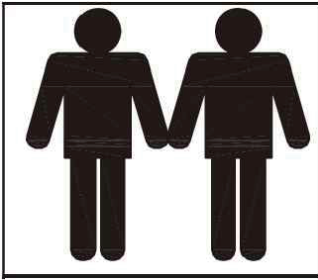
## friendly reminder

To avoid errors and confusion during the installation of accessories, use the type and quantity of hardware accessories according to the installation procedure described in the instructions. First, unroll the accessories bag and lay out the hardware accessories, cut holes in the side, and take out the hardware accessories



**Note:**

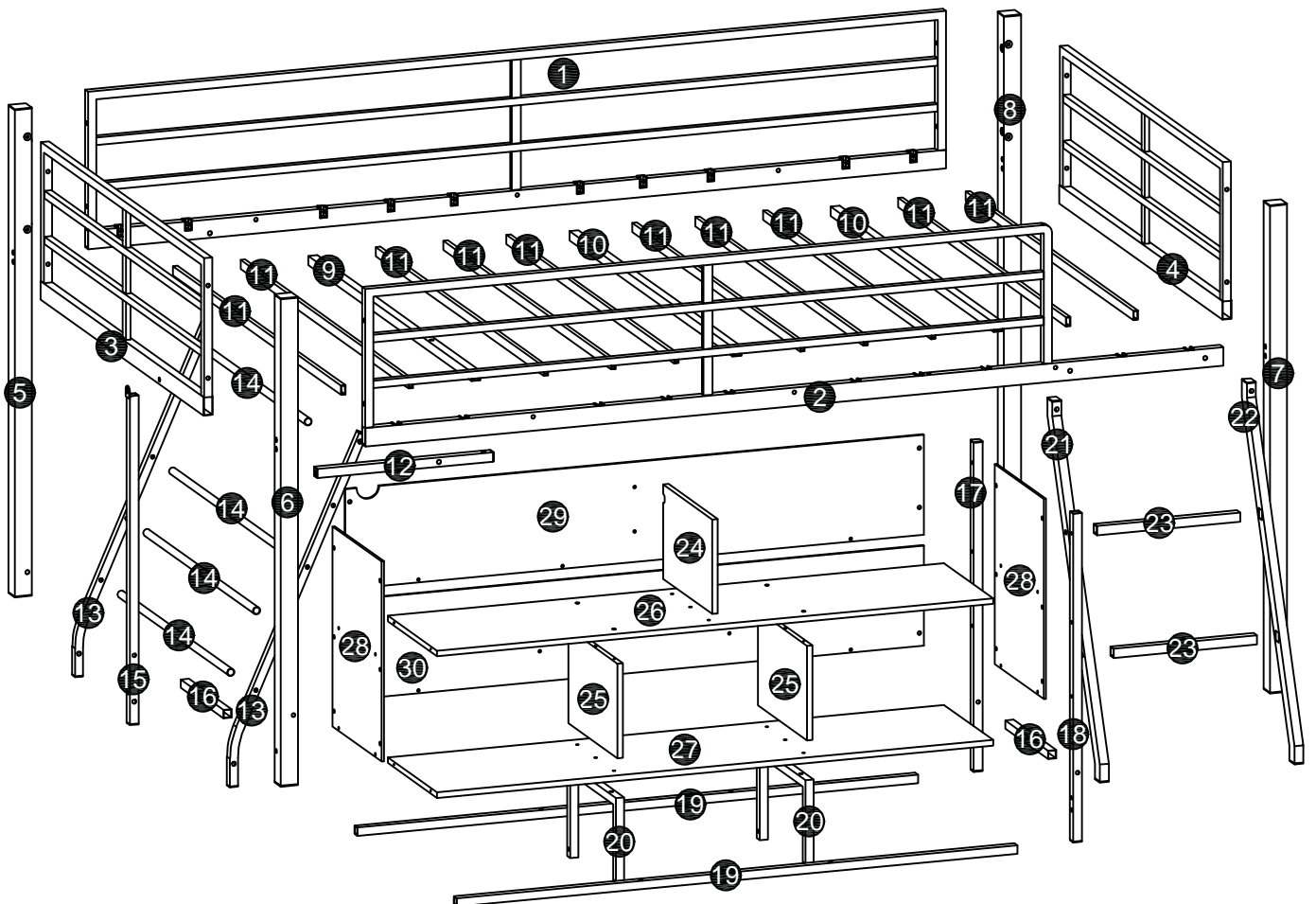
1. Should be assembled on flat ground to keep balance.
2. Before completing the installation, do not tighten the screws.



**It needs at least two people to install.**



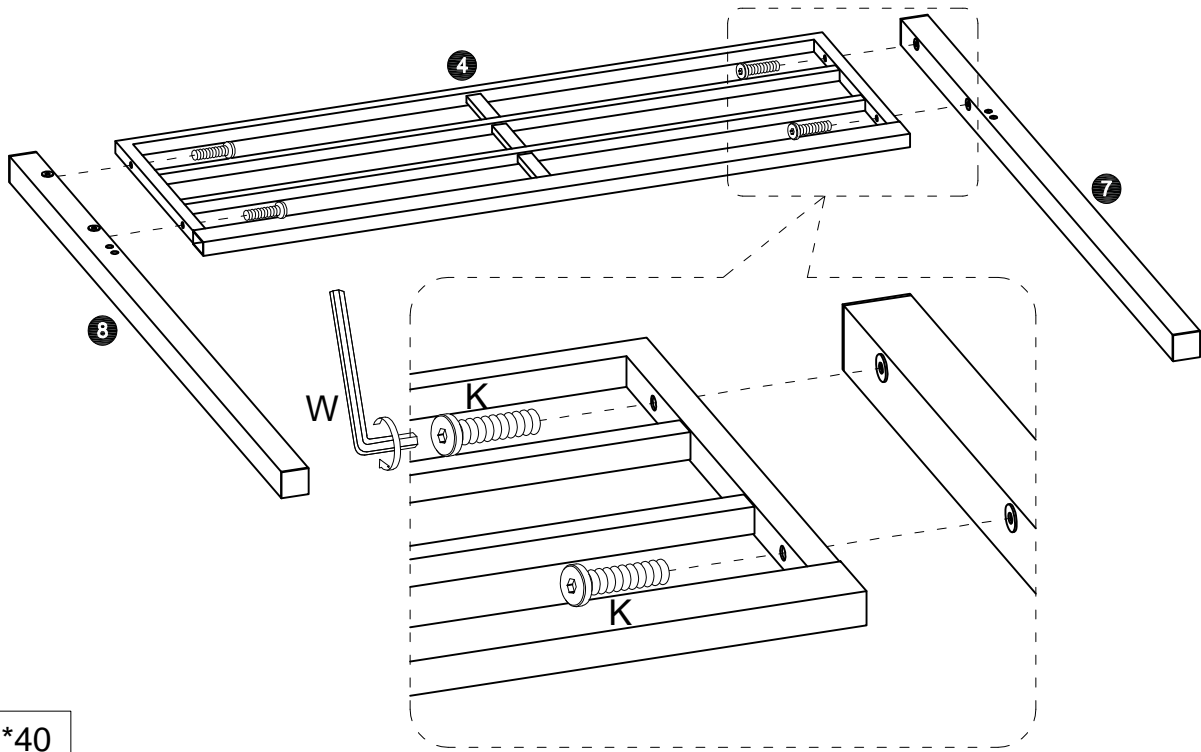
**Before starting the assembly, you must read the whole manual and follow the instructions**

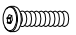


1



Be careful not to overtighten the screws.

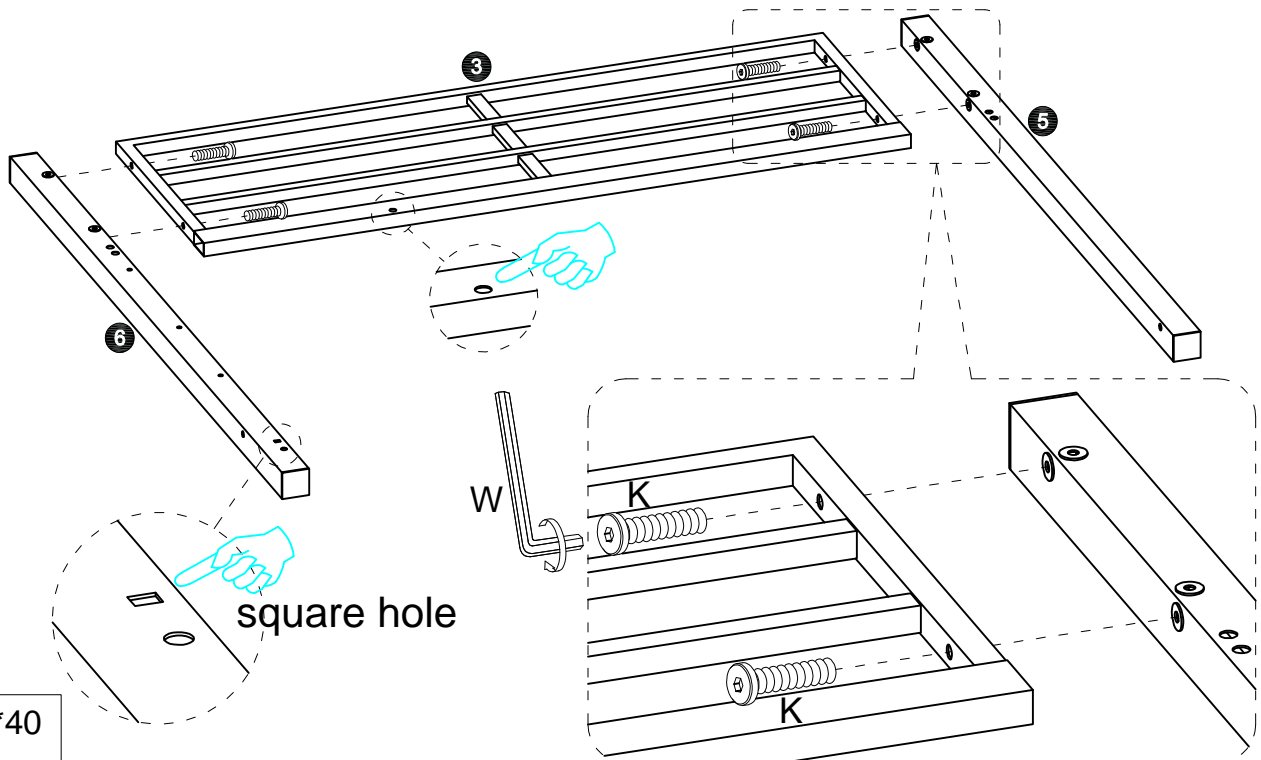


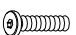
K M6\*40  
 x4

2



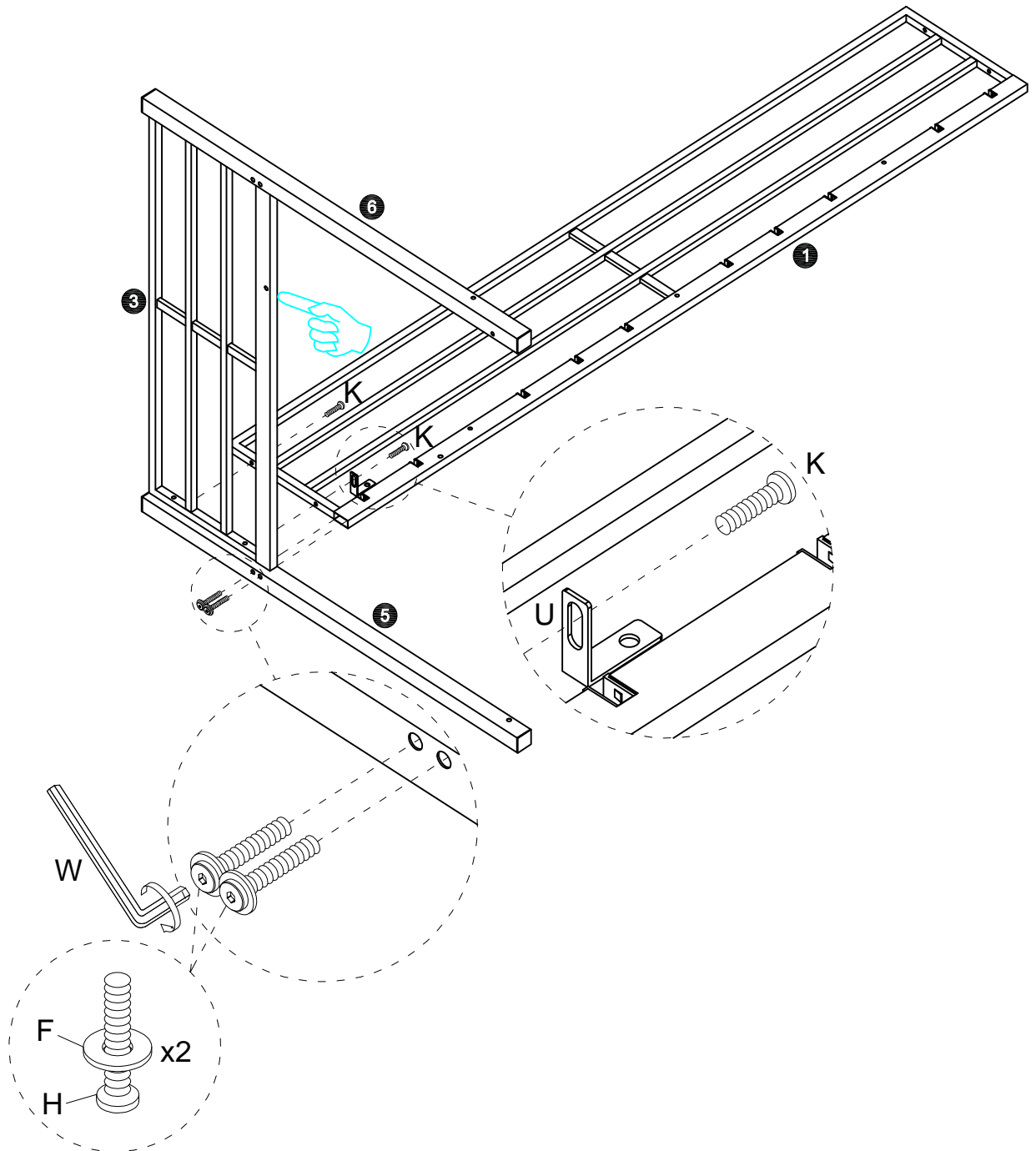
Be careful not to overtighten the screws.

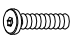
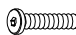
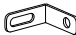



K M6\*40  
 x4



Be careful not to overtighten the screws.

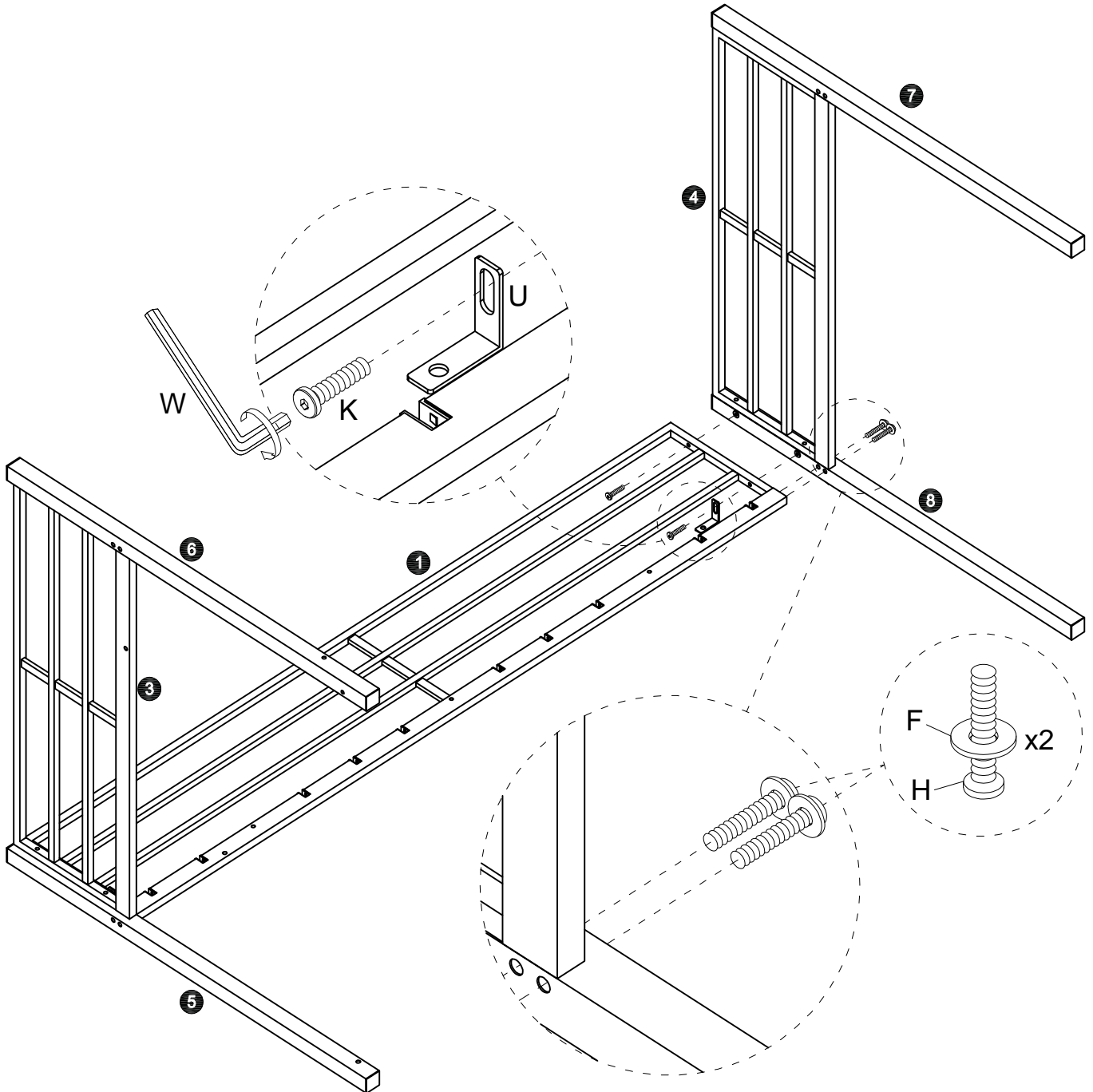


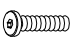
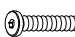


K M6*40	H M8*60	U	F Ø18*8
 x2	 x2	 x1	 x2

4



Be careful not to overtighten the screws.

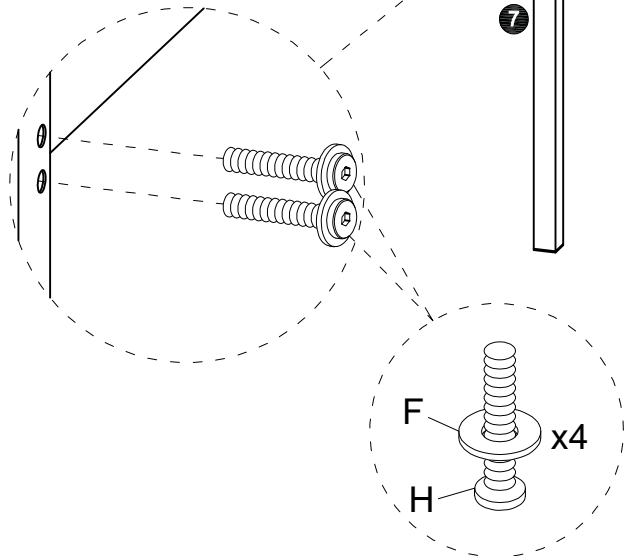
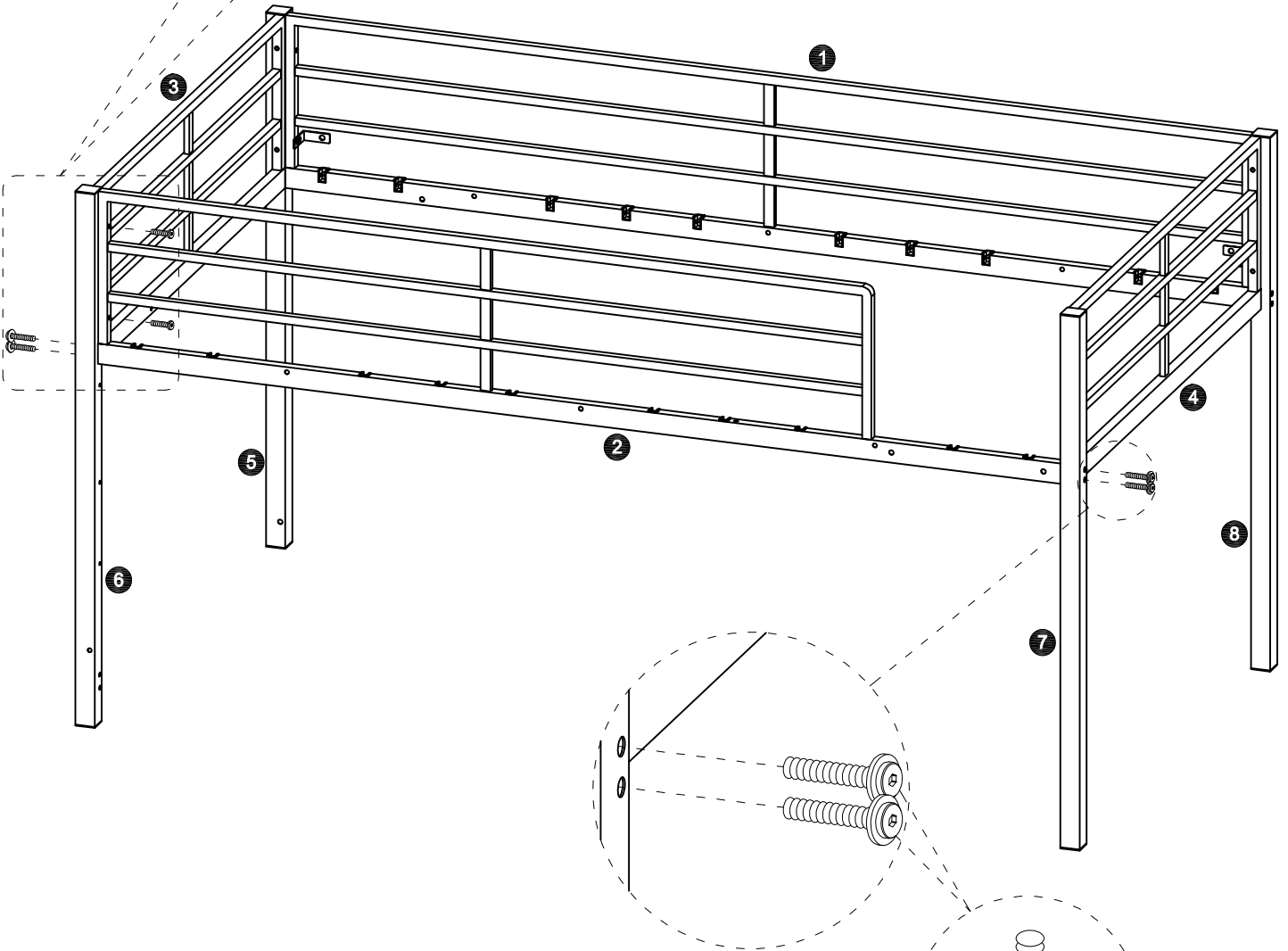
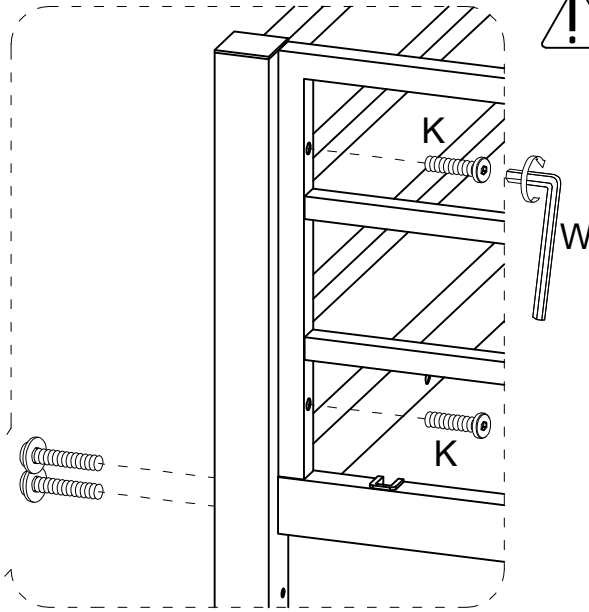


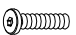
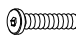

K M6*40	H M8*60	U	F Ø18*8
 x2	 x2	 x1	 x2

5



Be careful not to overtighten the screws.

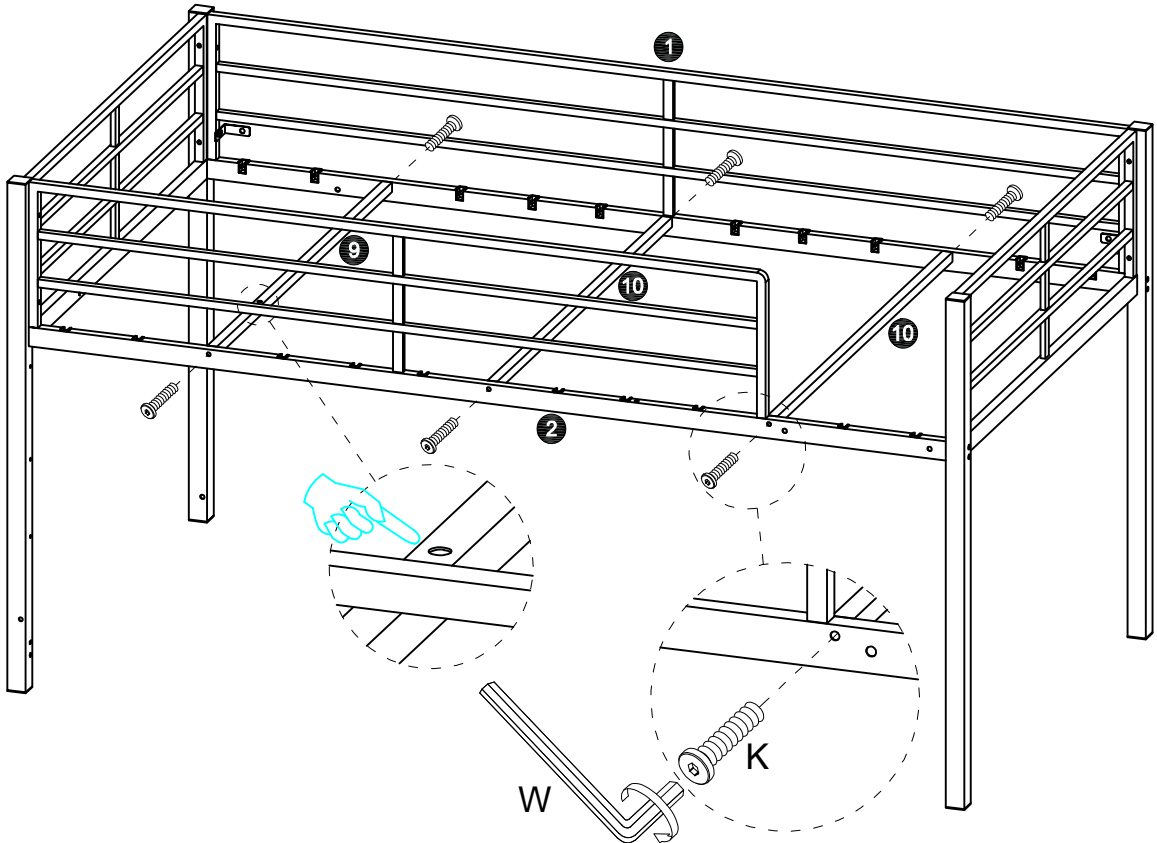


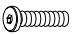
K M6*40	H M8*60	F Ø18*8
 x2	 x4	 x4

6



Be careful not to overtighten the screws.

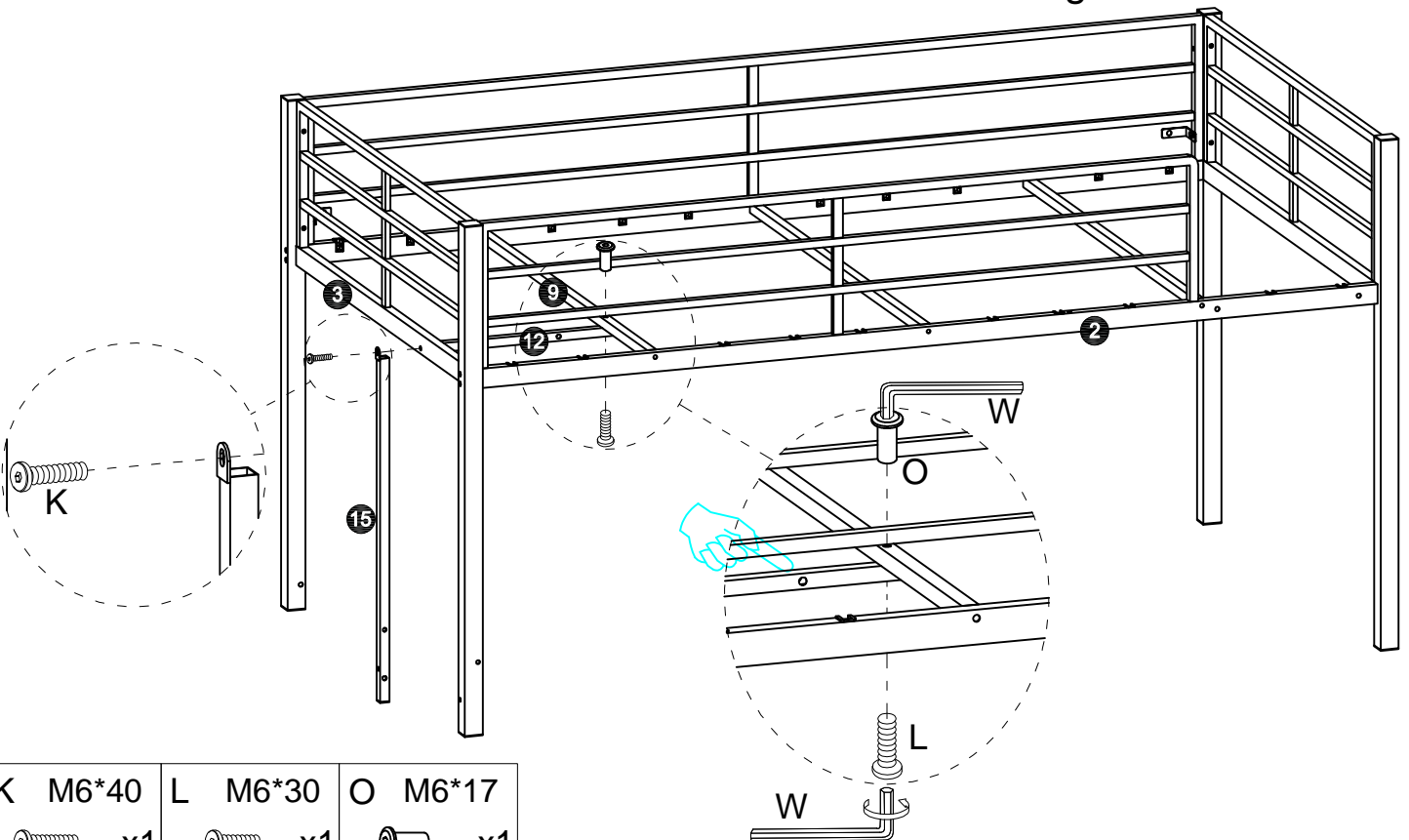


K M6\*40  
 x6

7



Be careful not to overtighten the screws.

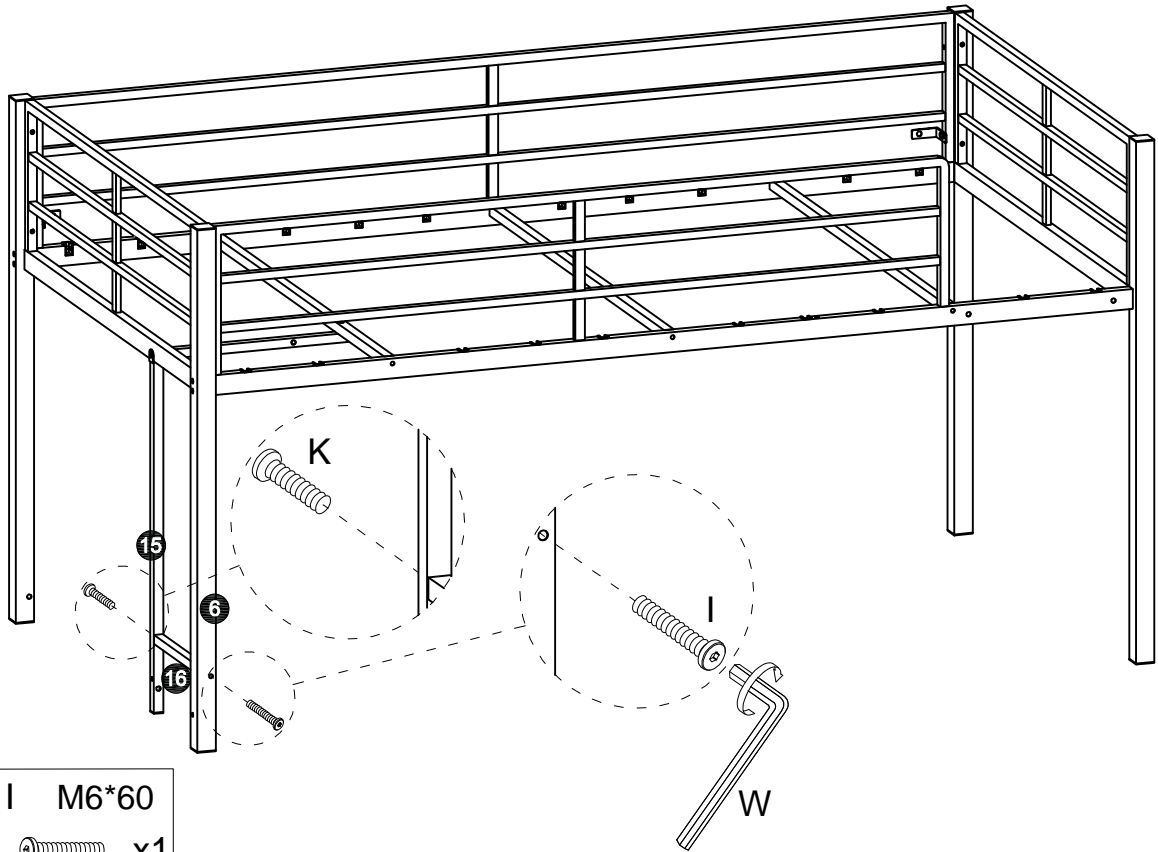


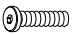
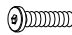
K M6*40  x1	L M6*30  x1	O M6*17  x1
--	---	---

8



Be careful not to overtighten the screws.

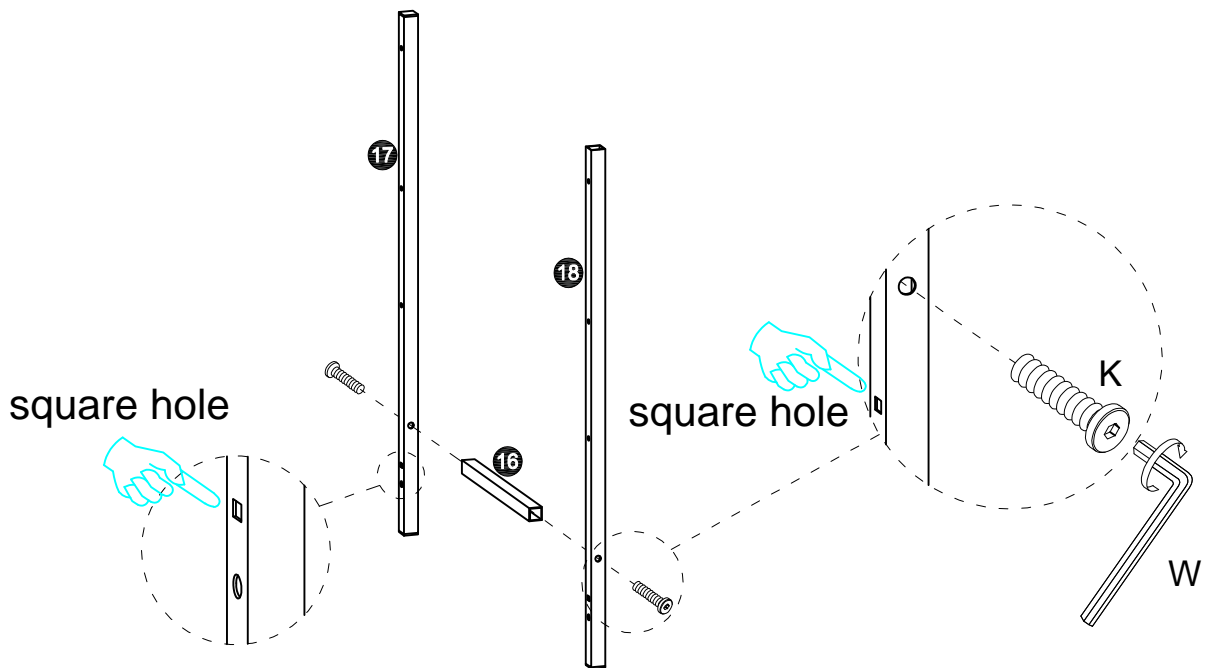


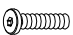
K	M6*40	I	M6*60
	x1		x1

9



Be careful not to overtighten the screws.



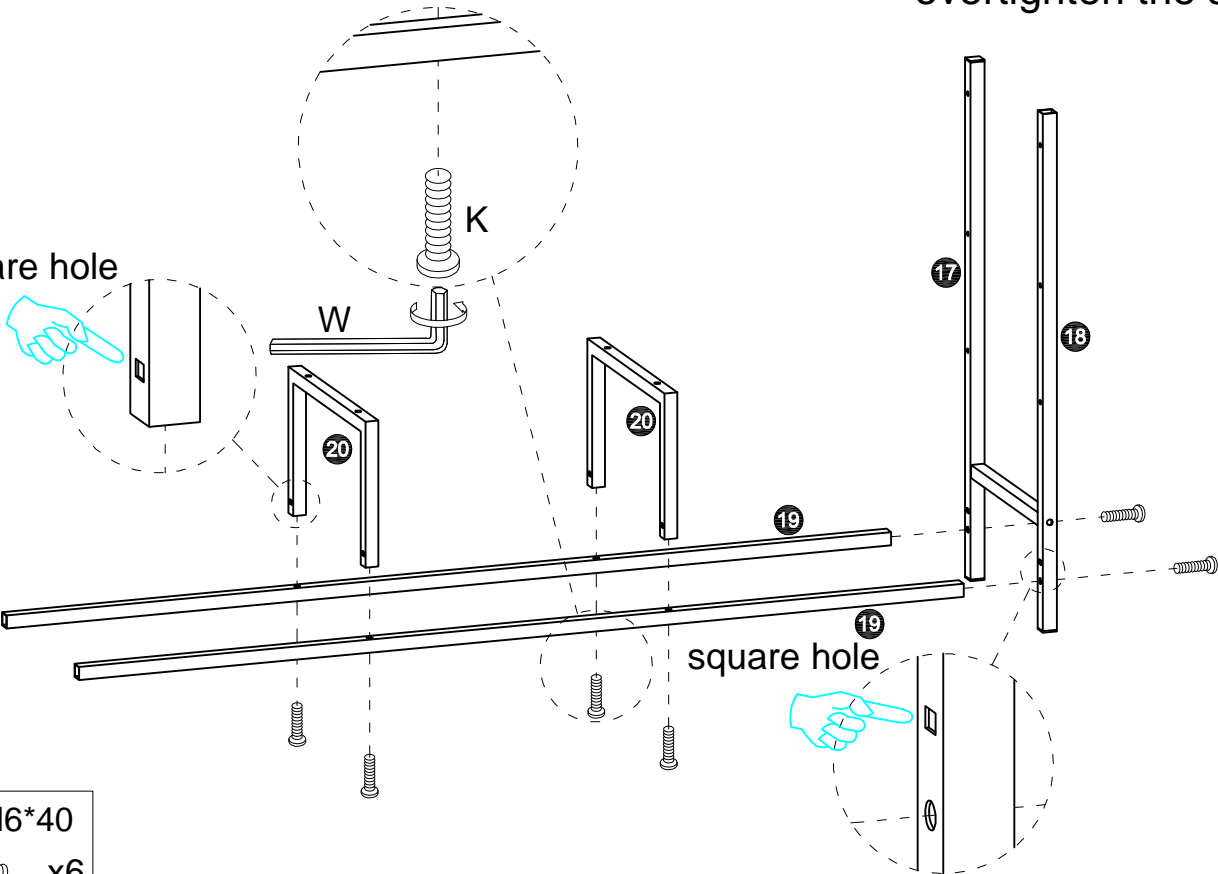
K	M6*40
	x2

10



Be careful not to overtighten the screws.

square hole



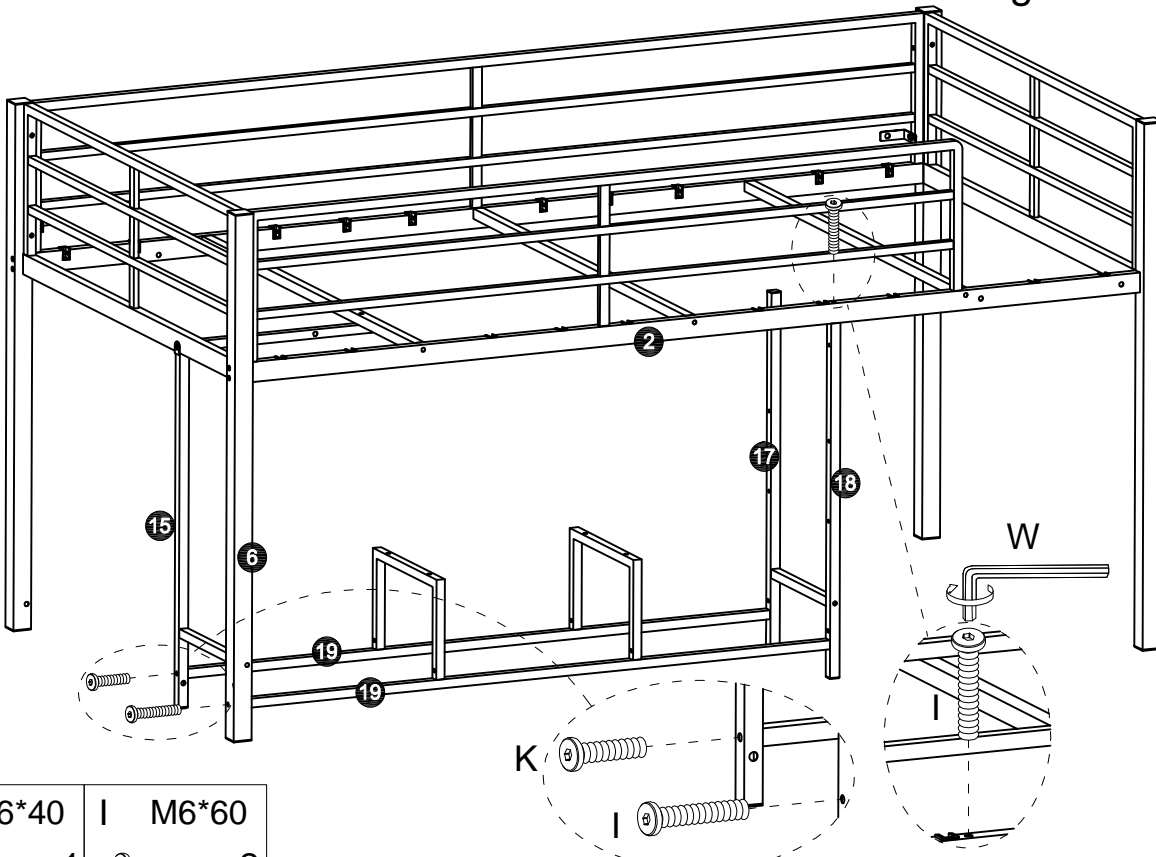
K M6\*40

 x6

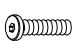
11




Be careful not to overtighten the screws.



K M6\*40 | I M6\*60

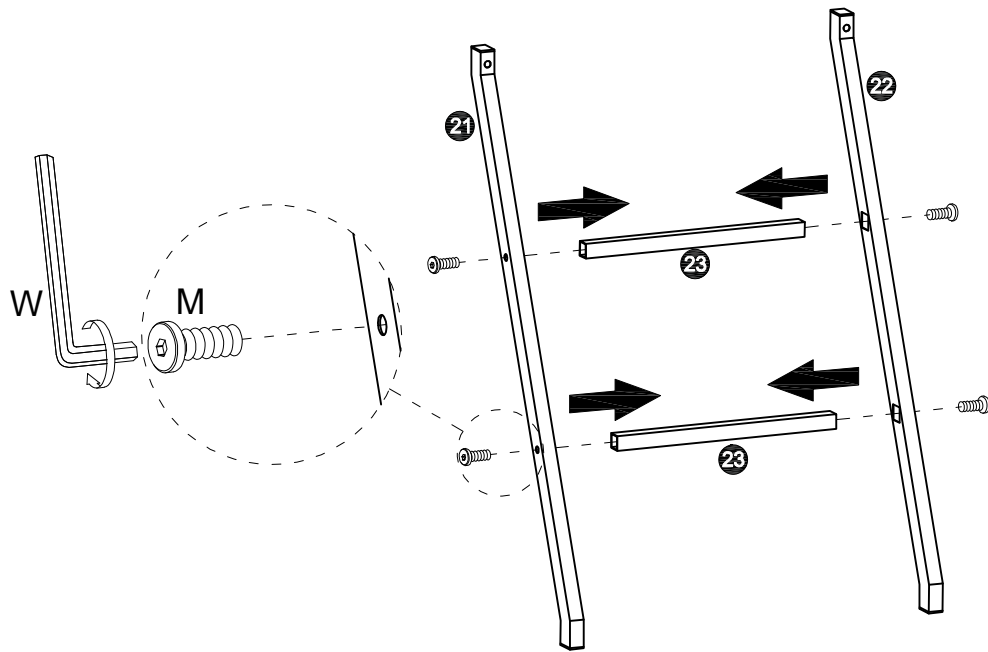
 x1

 x2

12



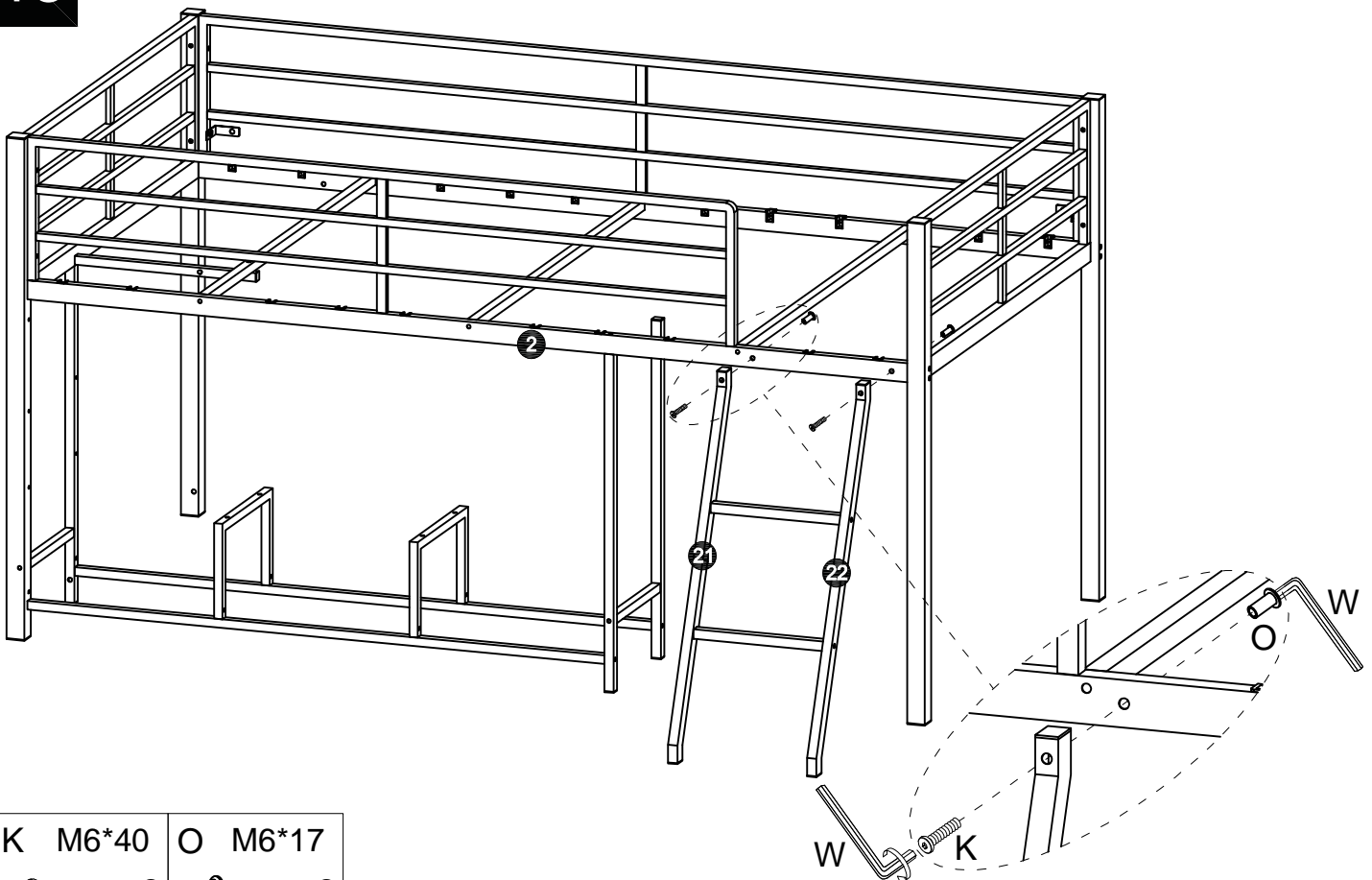
Be careful not to overtighten the screws.



M M6\*25


 x4

13



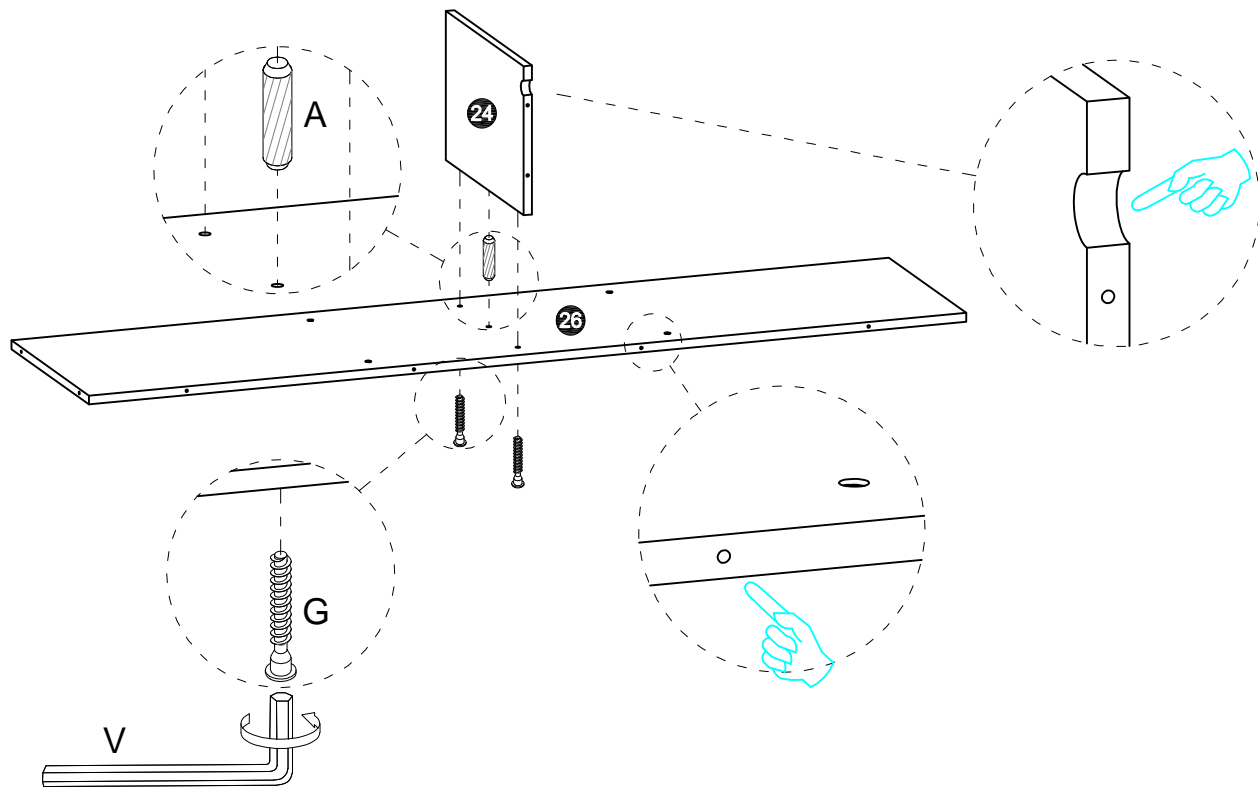
K M6\*40


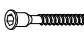
O M6\*17

 x2

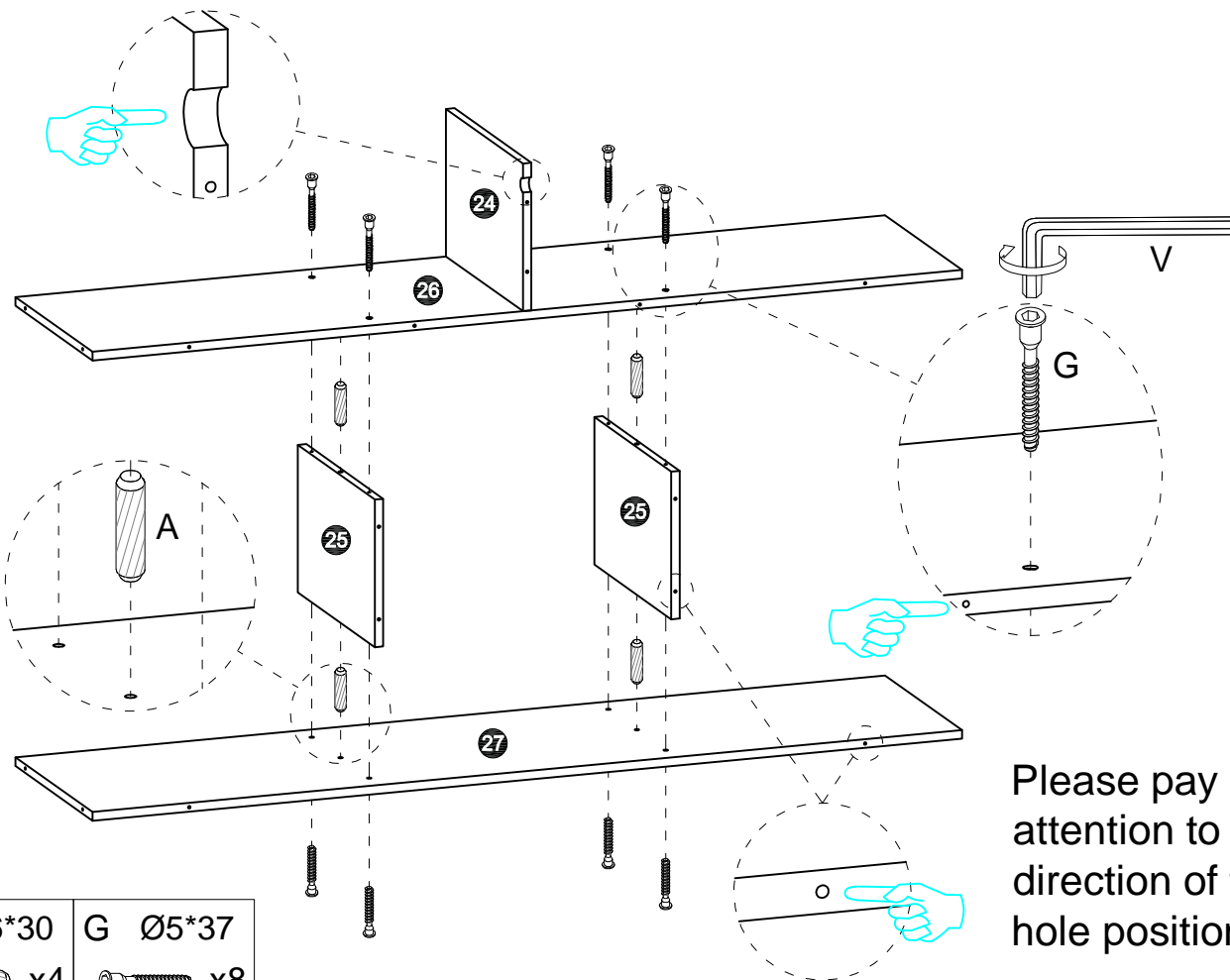
 x2


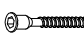
14



A Ø6*30	G Ø5*37
 x1	 x2

15

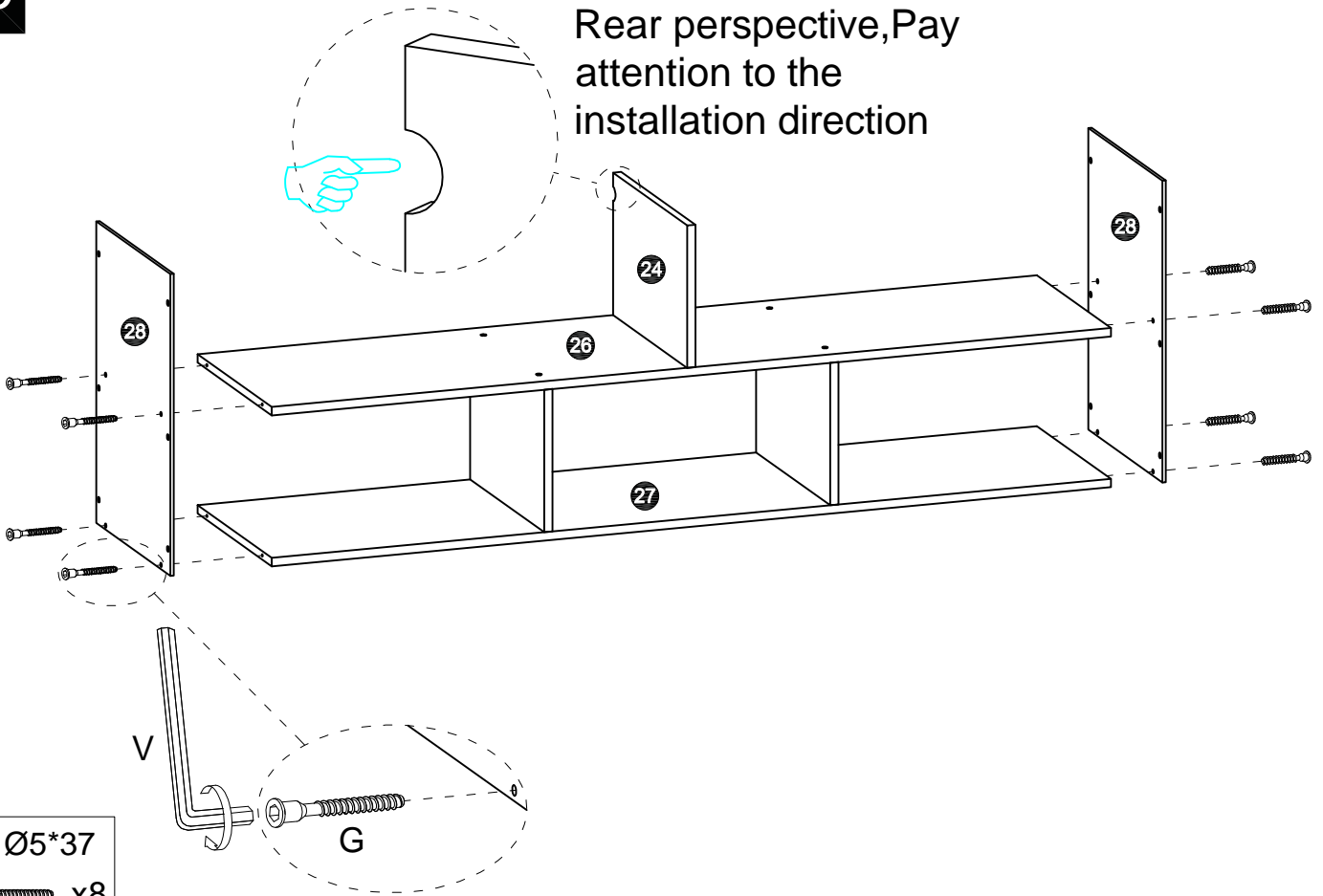


A Ø6*30	G Ø5*37
 x4	 x8

Please pay attention to the direction of the hole position.

16

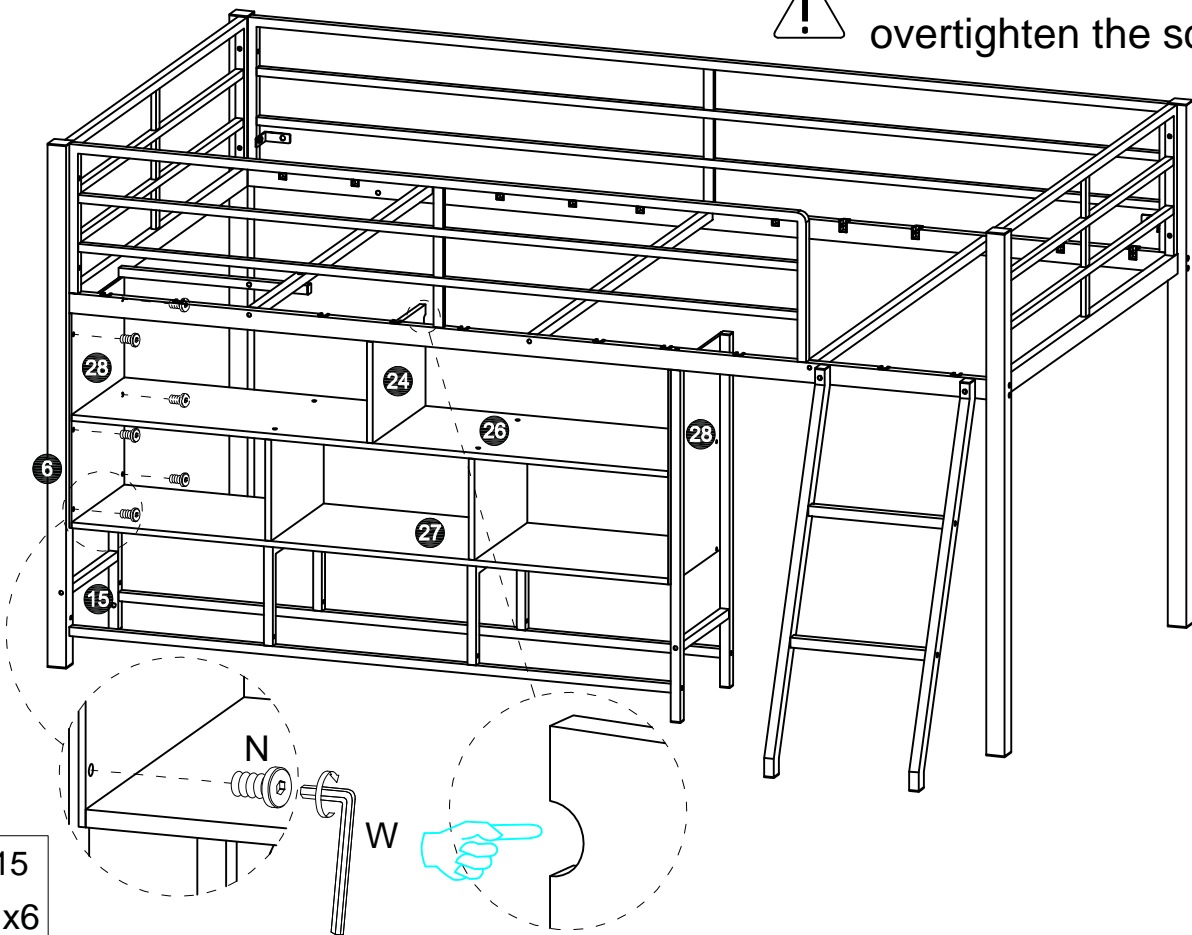
Rear perspective, Pay attention to the installation direction



G Ø5\*37  
x8

17

! Be careful not to overtighten the screws.

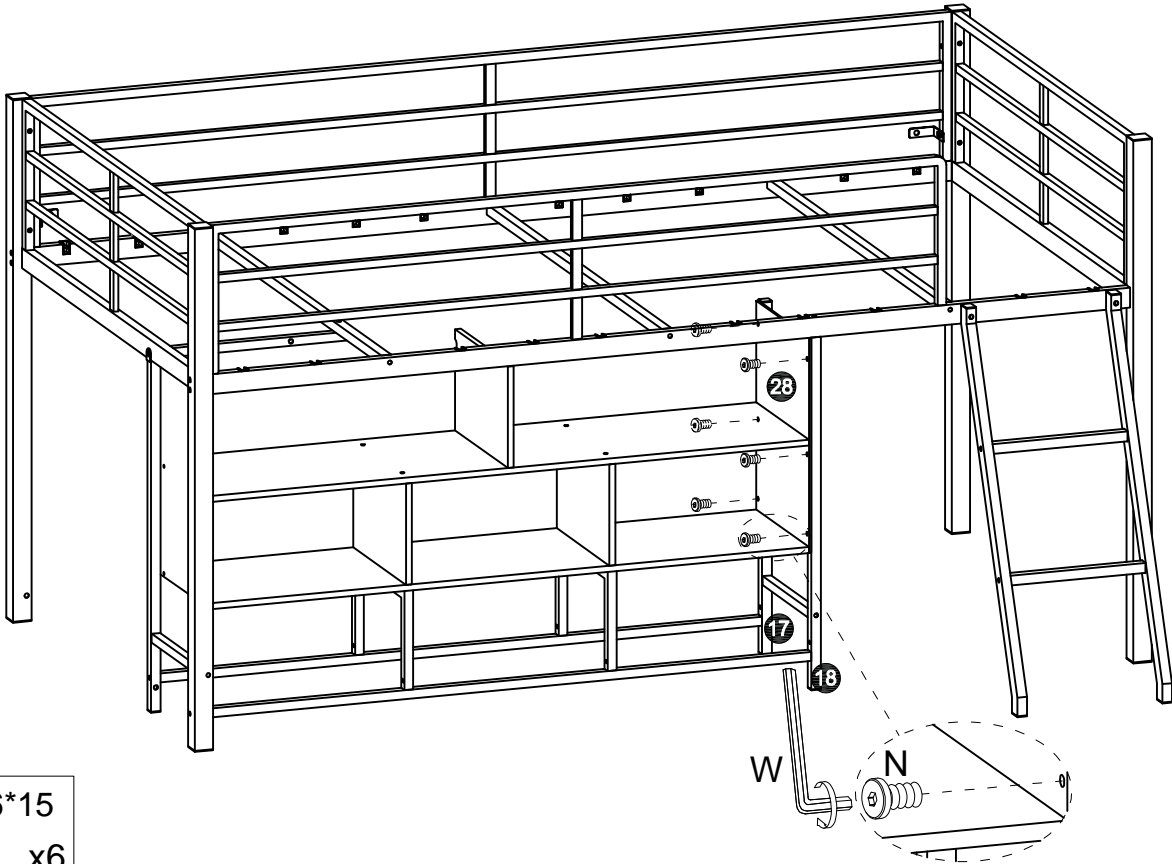


N M6\*15  
x6

18

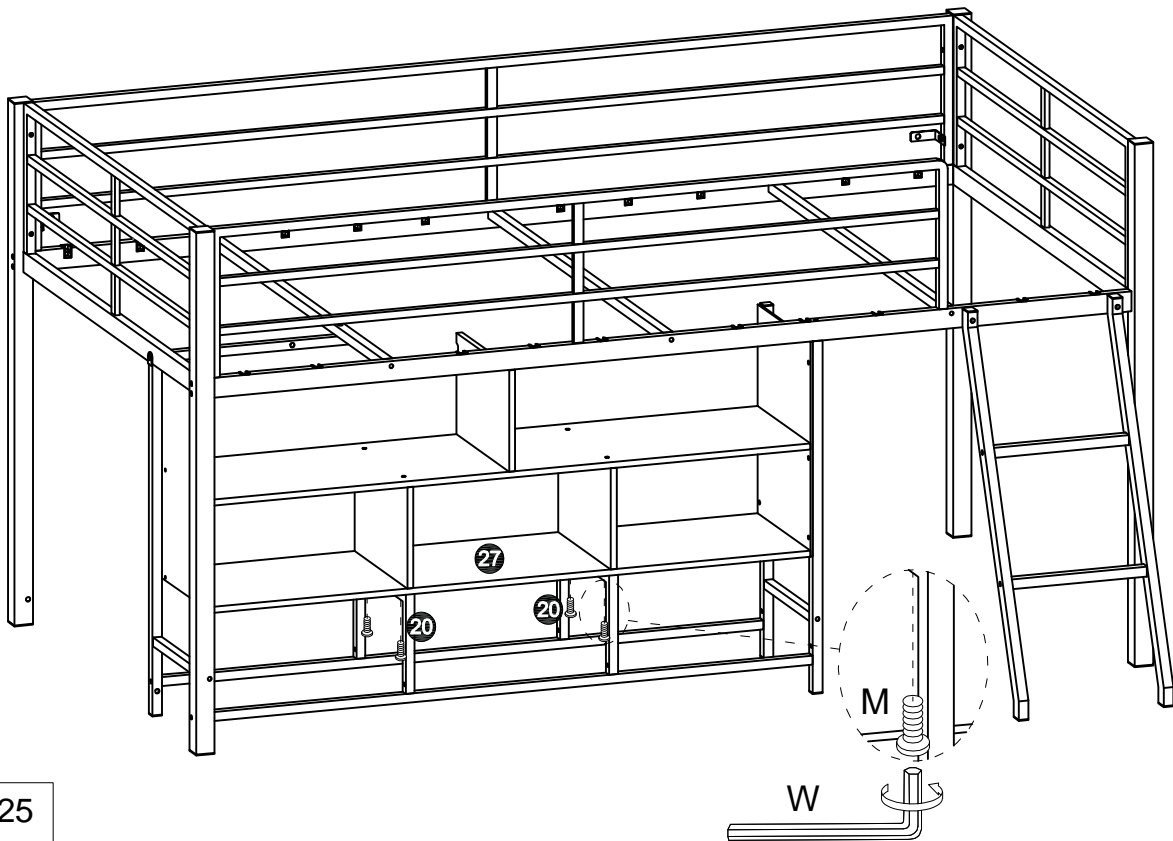


Be careful not to overtighten the screws.



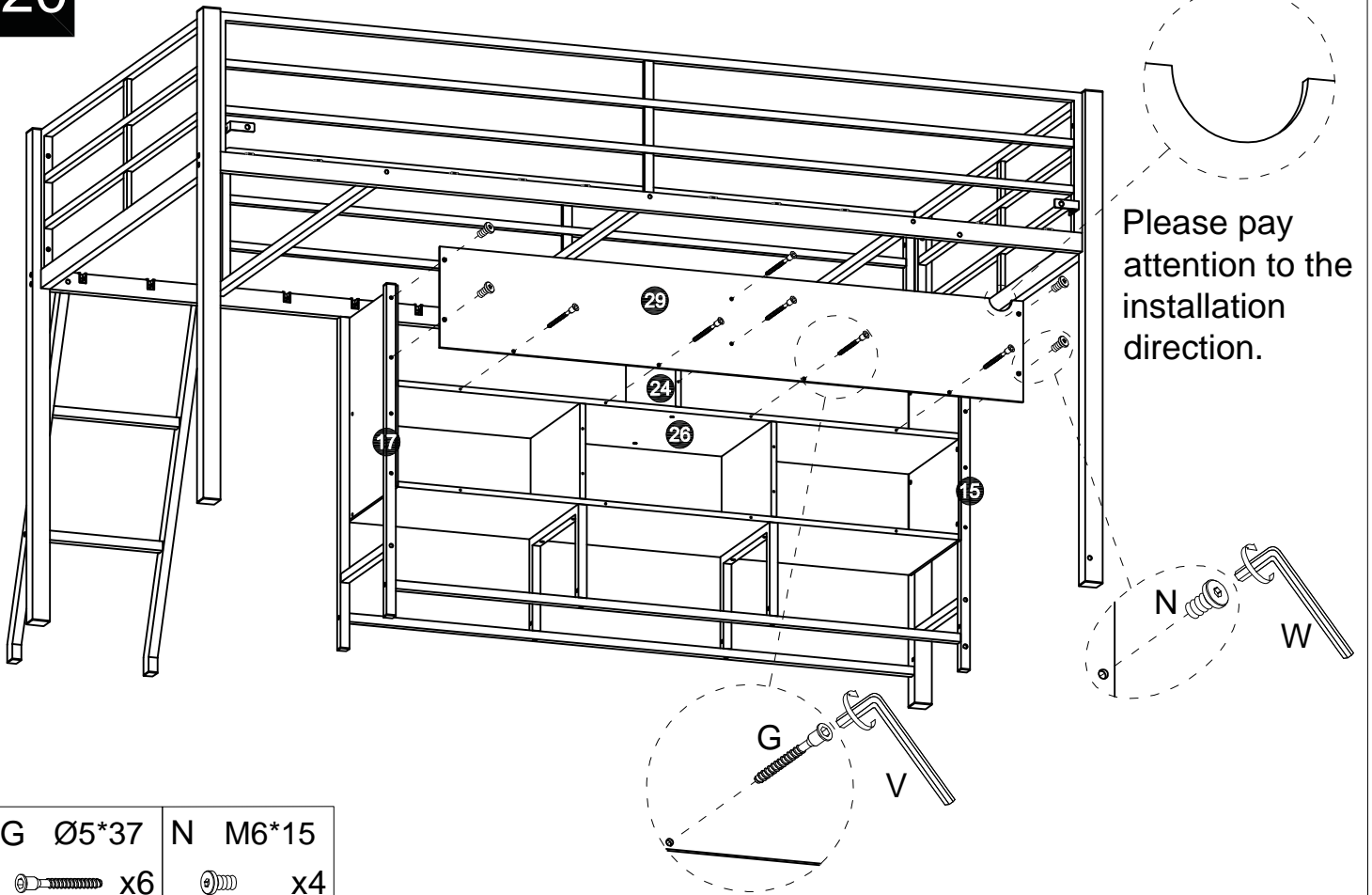
N M6\*15  
x6


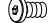
19



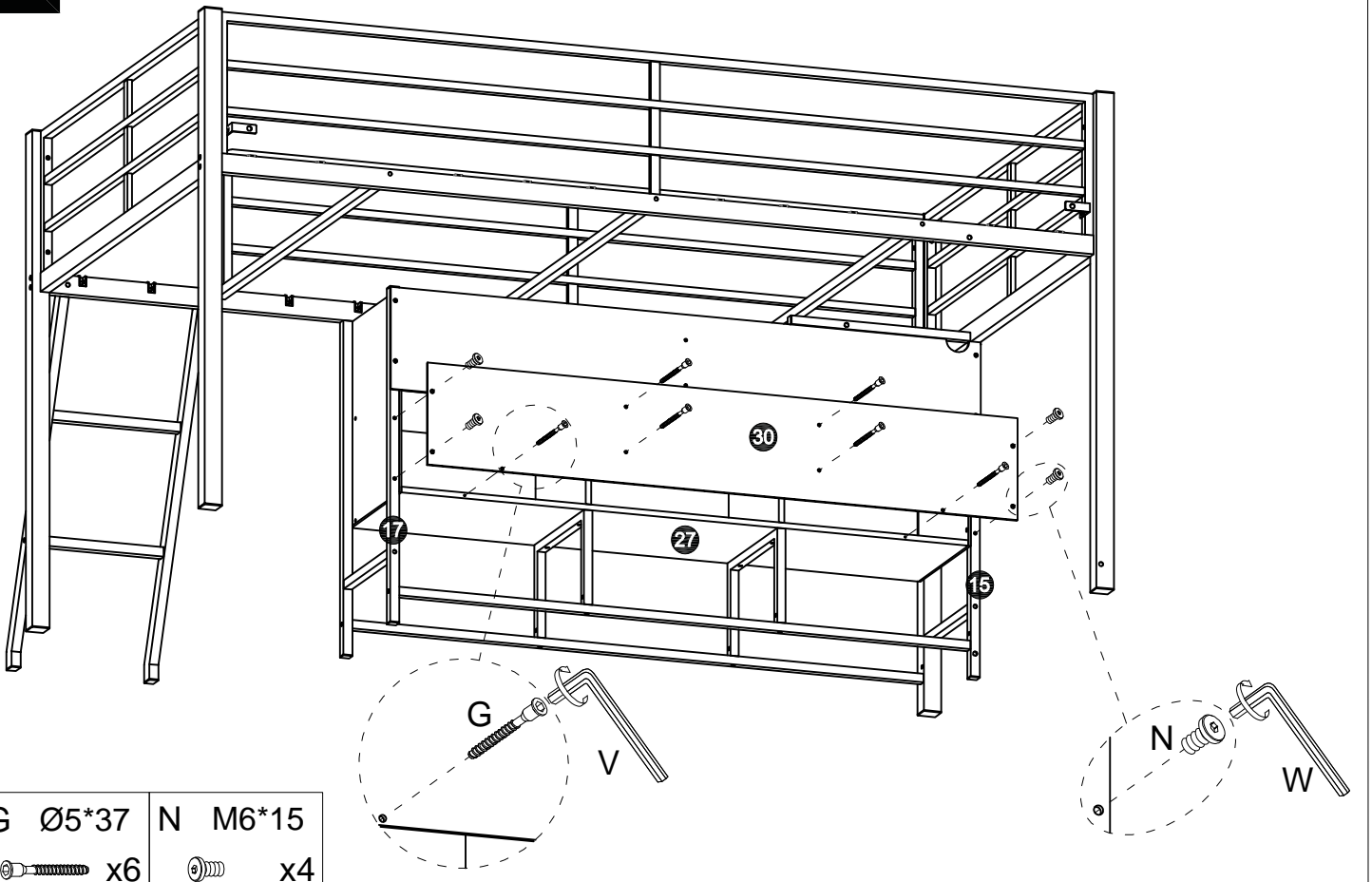
M M6\*25  
x4


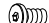
20



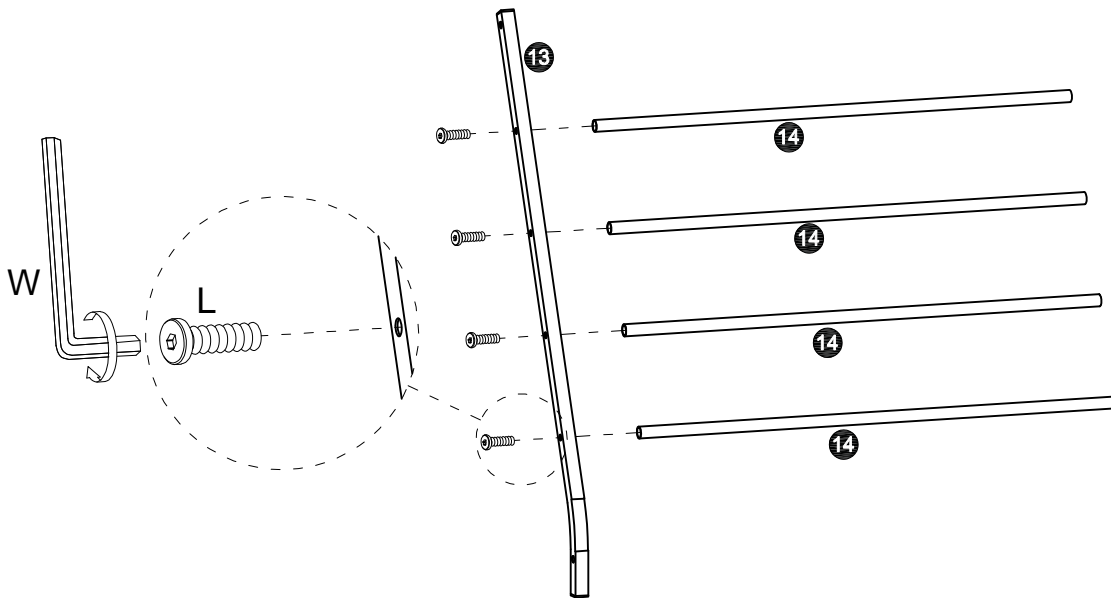
G Ø5*37	N M6*15
 x6	 x4

21



G Ø5*37	N M6*15
 x6	 x4

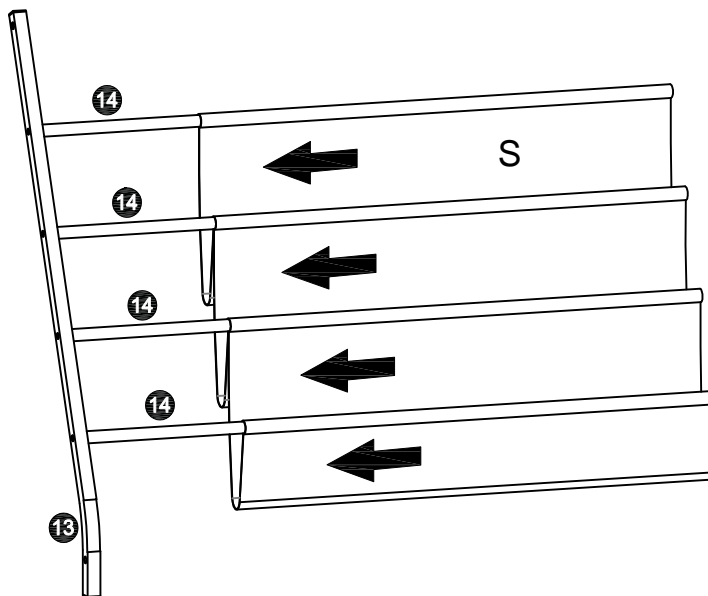
22



L M6\*30

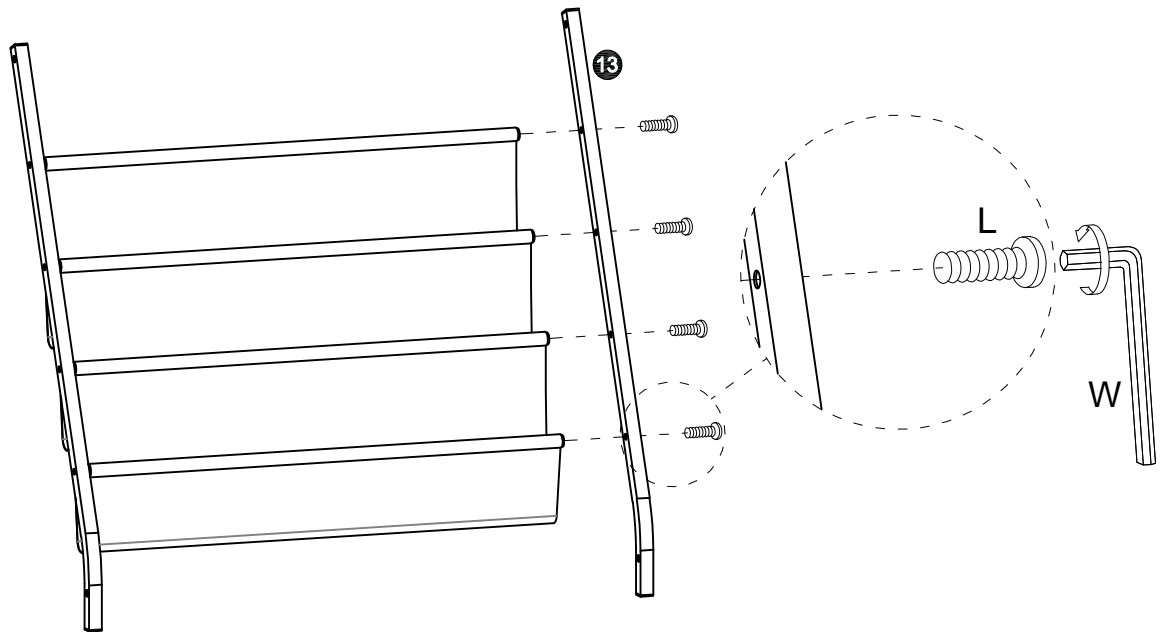
 x4

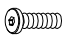
23



S  x1

24

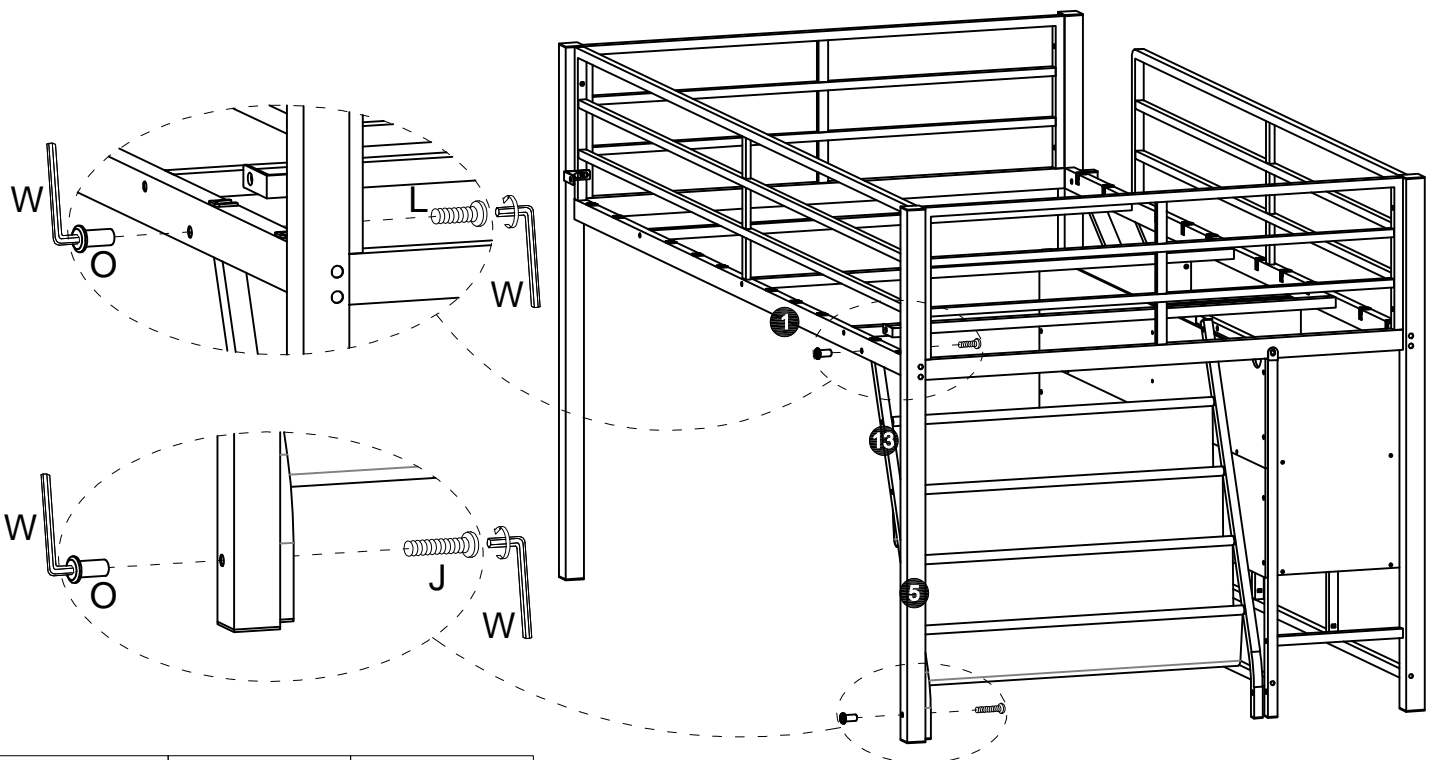




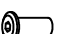
L M6\*30  
 x4

25

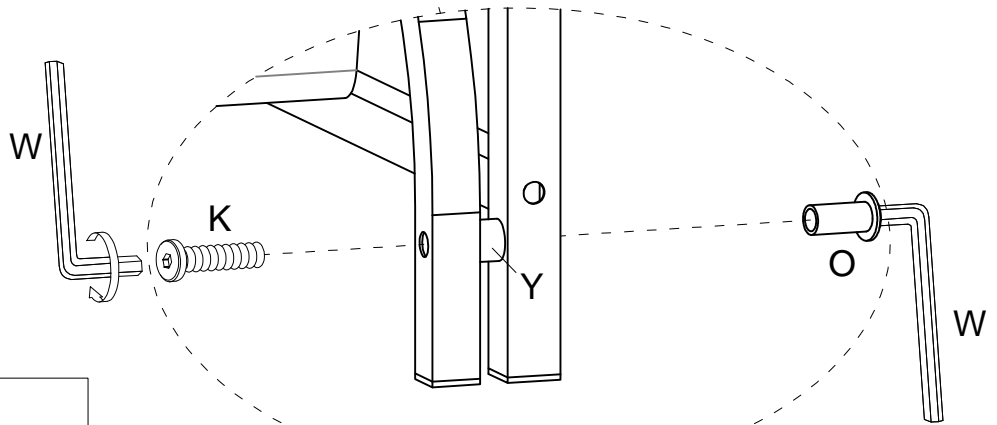
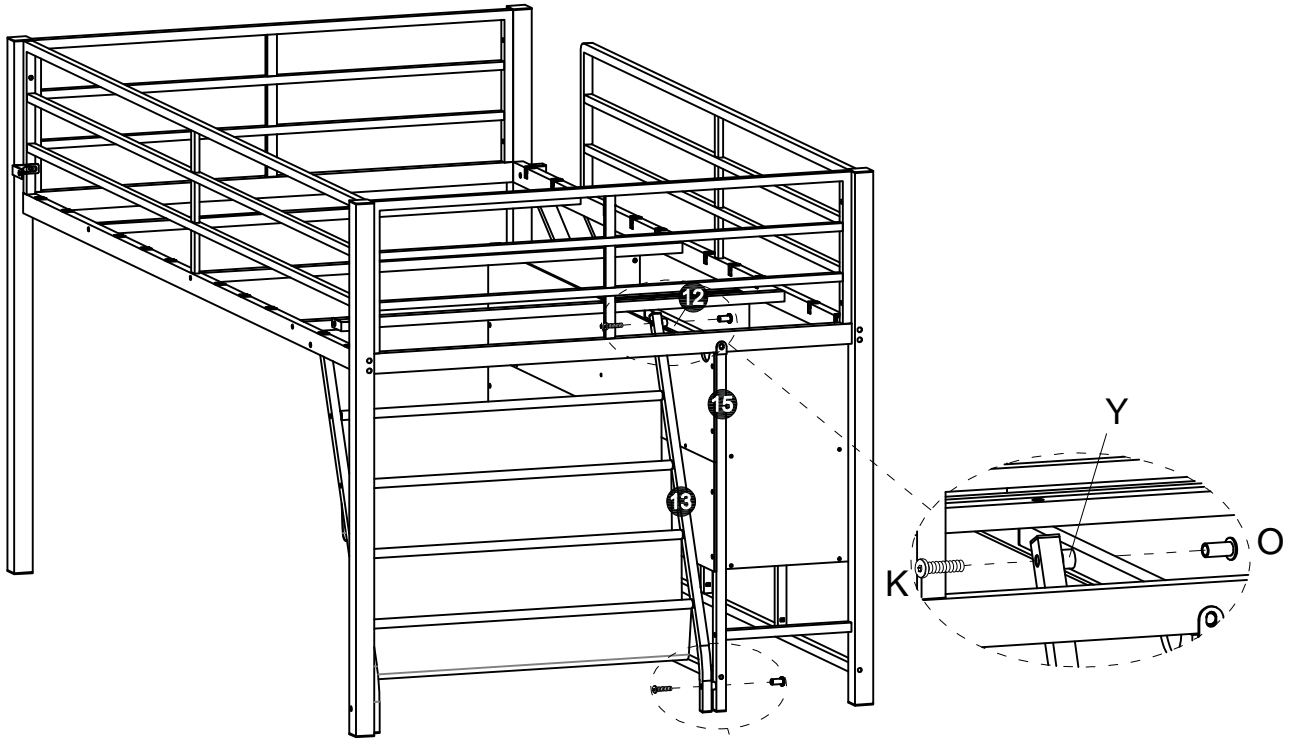


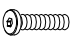


Be careful not to overtighten the screws.



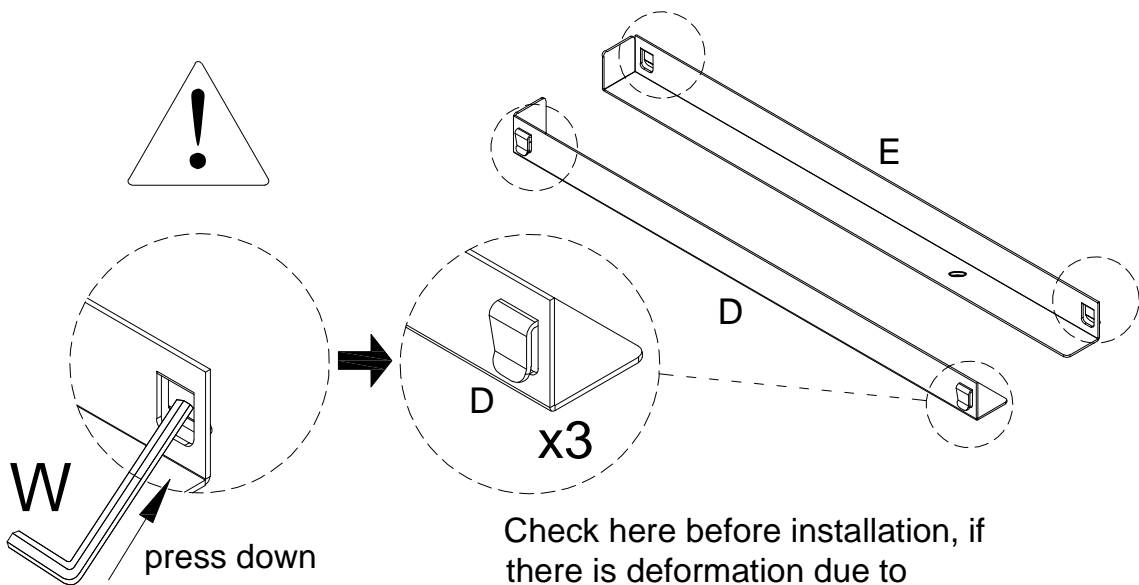
L M6*30  x1	J M6*48  x1	O M6*17  x2
---	---	---

26



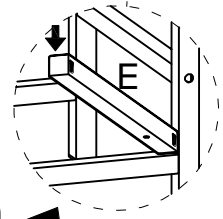
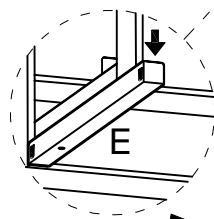
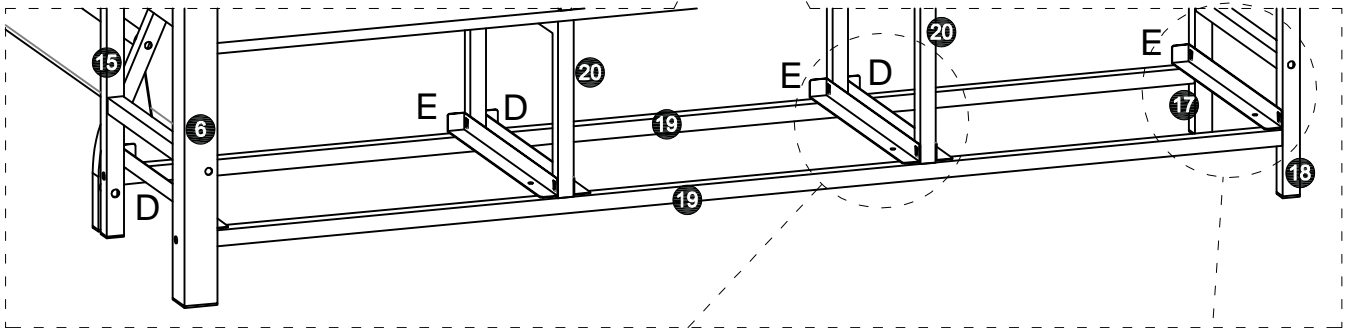
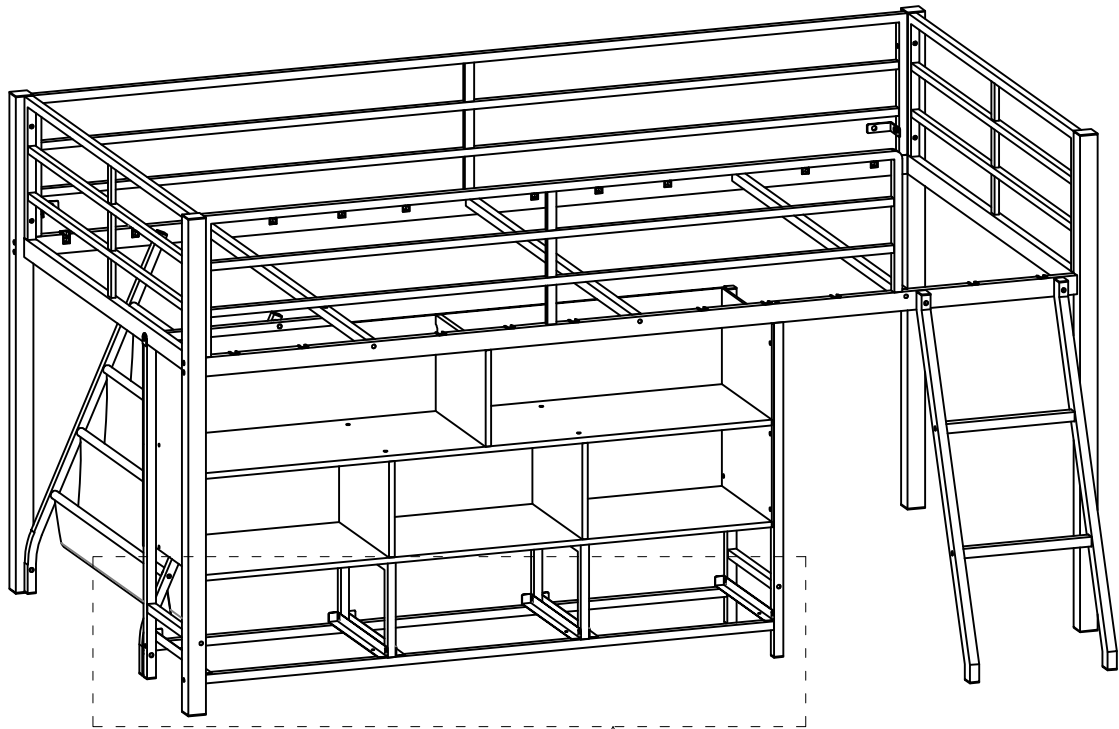
K	M6*40	O	M6*17	Y	
	x2		x2		x2

27

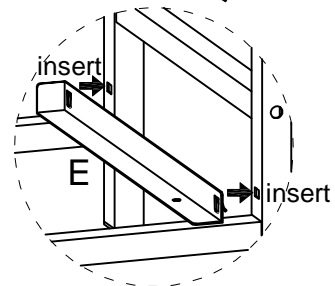
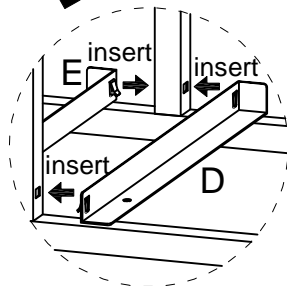




press down  
Please fine-tune in this direction to make it easier to install.

Check here before installation, if there is deformation due to squeezing, please adjust it with tools to avoid affecting normal installation.

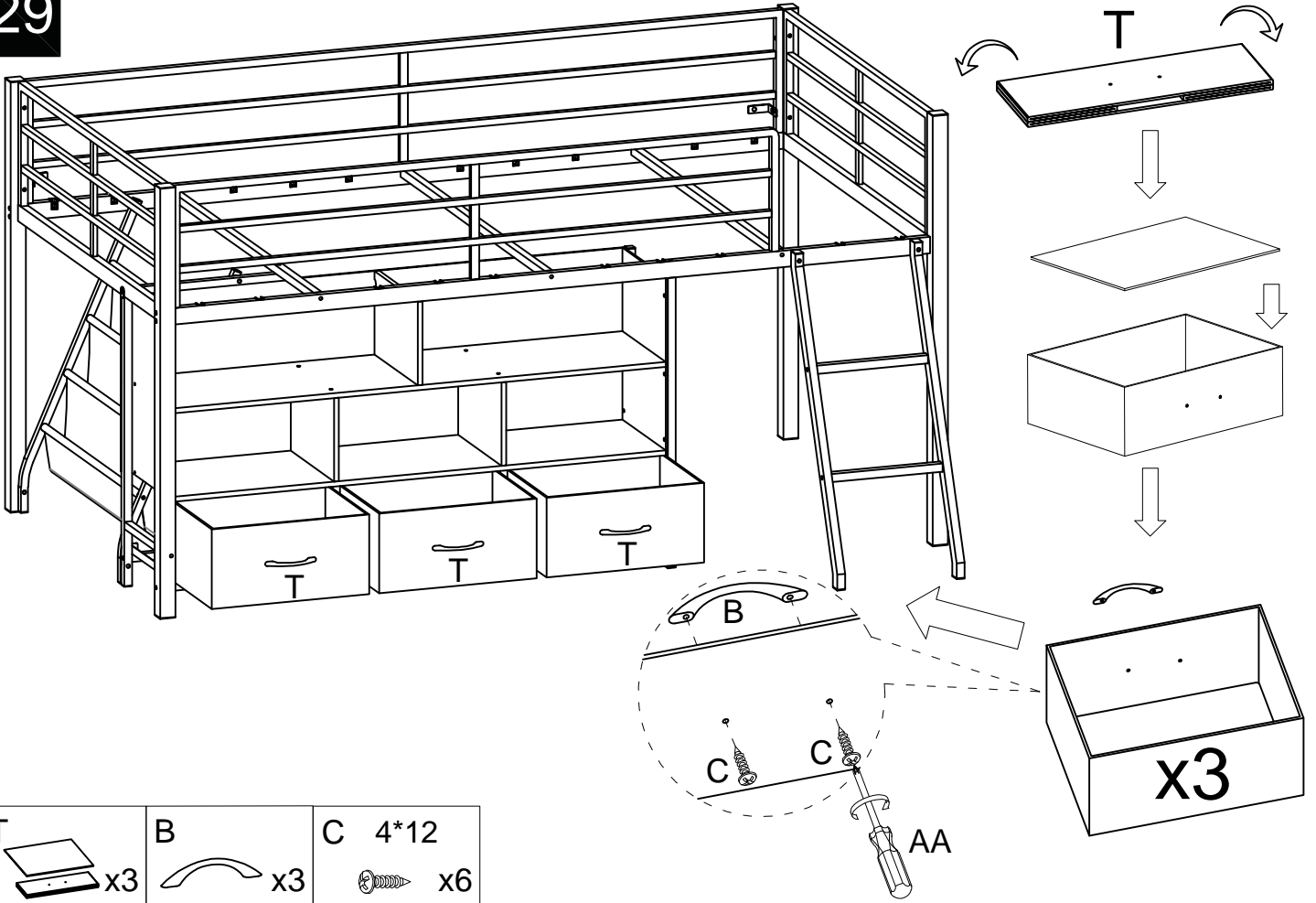


Insert the square hole in the direction of the Arrow and press down

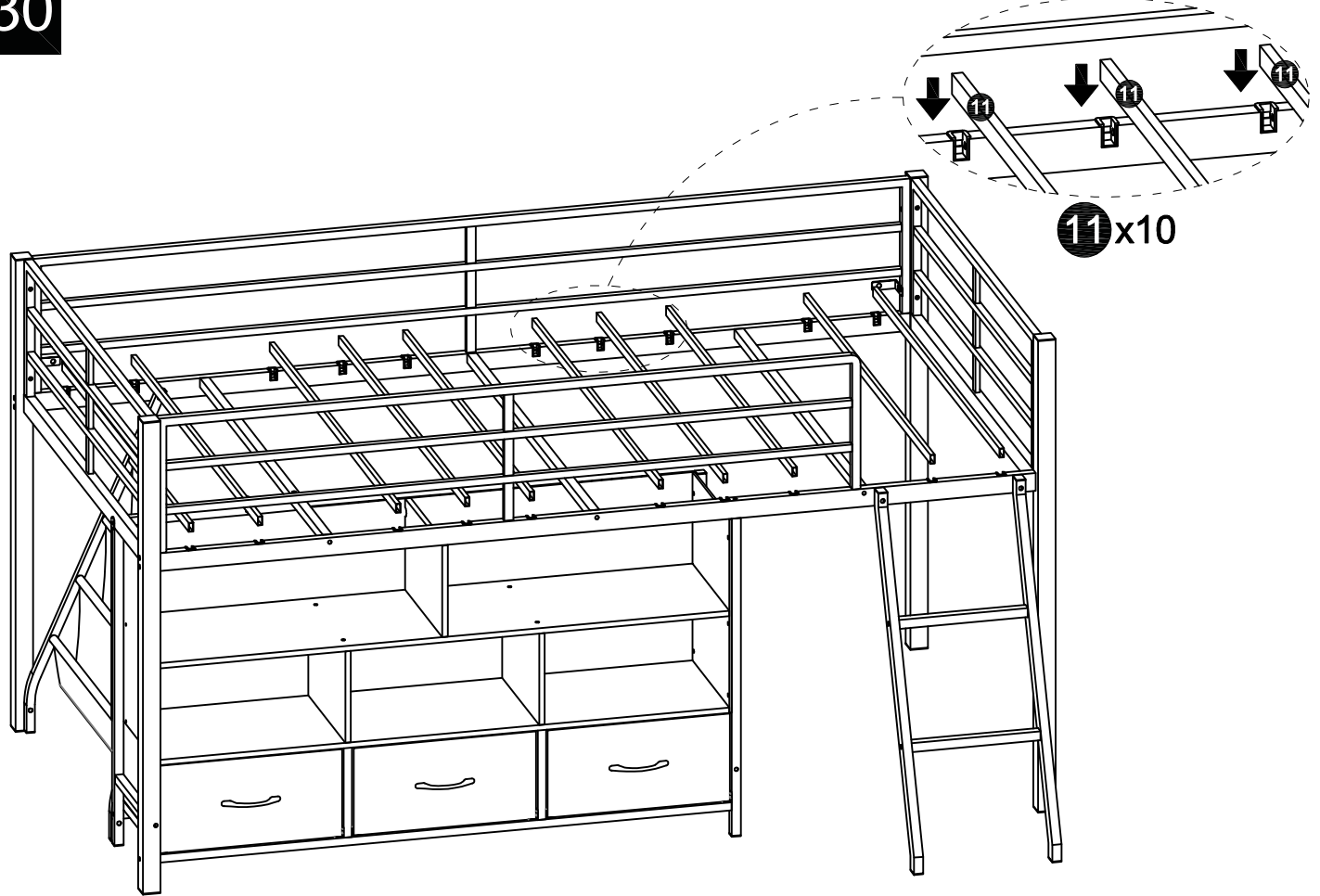


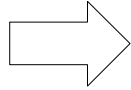
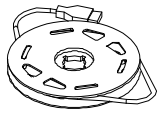
D	E
 x3	 x3

29

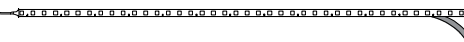


30

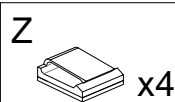
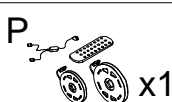
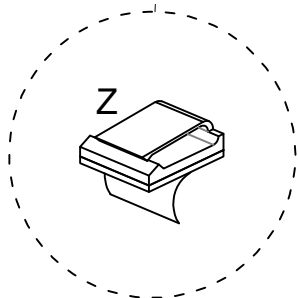
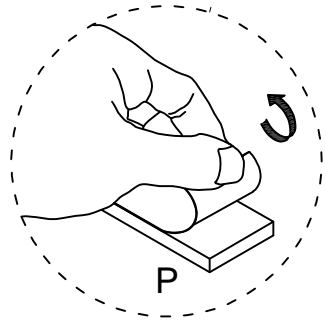
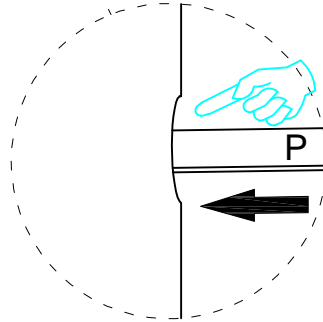
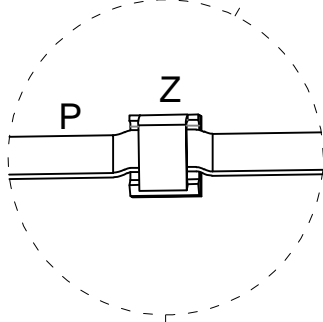
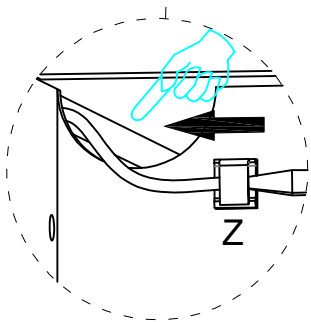
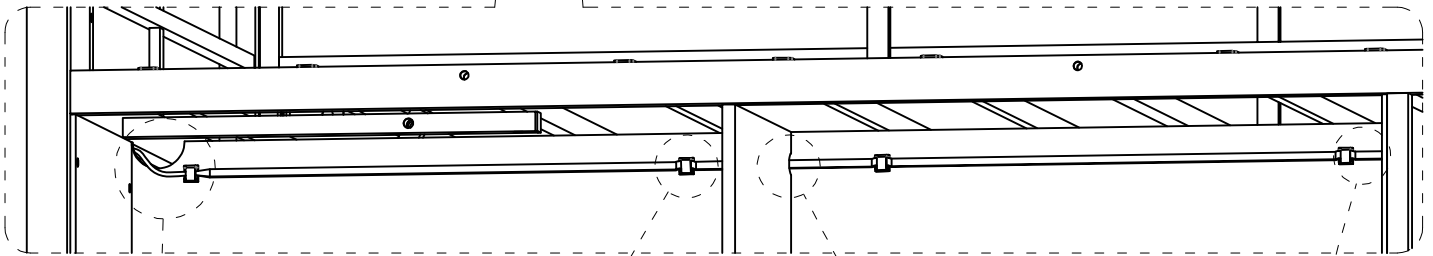
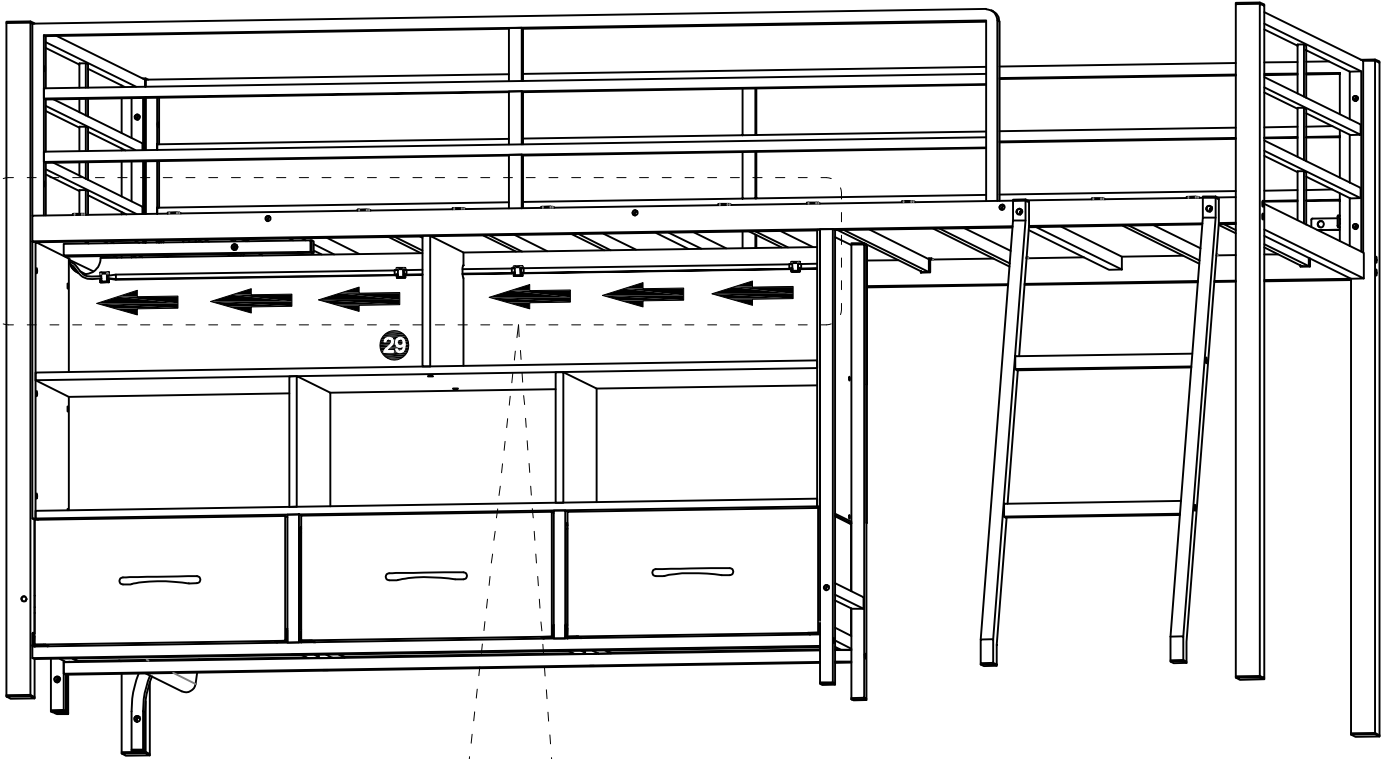




Tear off the end of the tape .Stick it in the position as shown

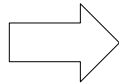
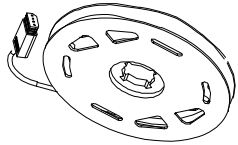


### Short light strip

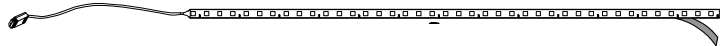


32

### long light strip



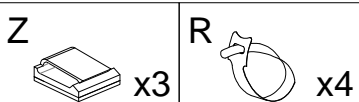
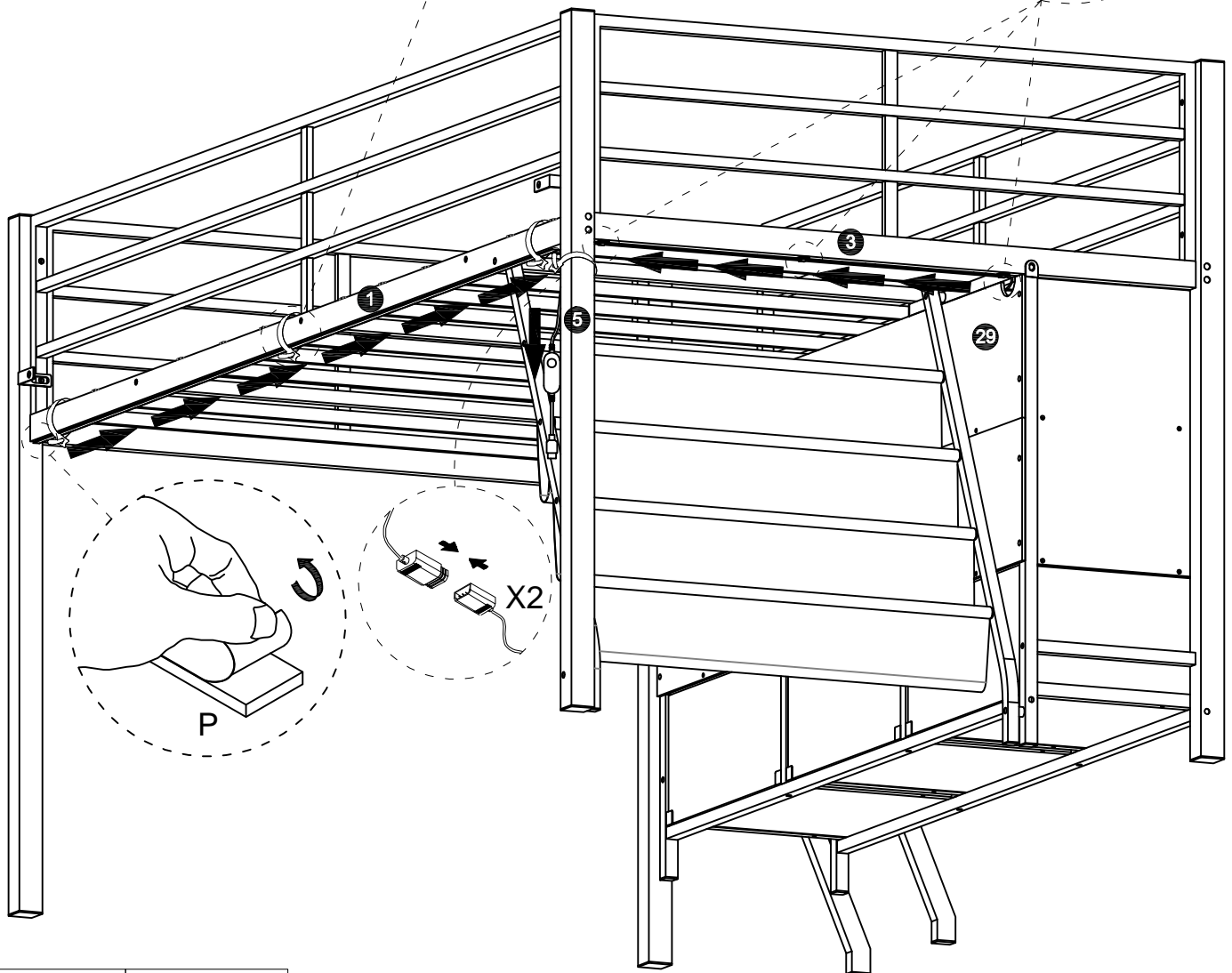
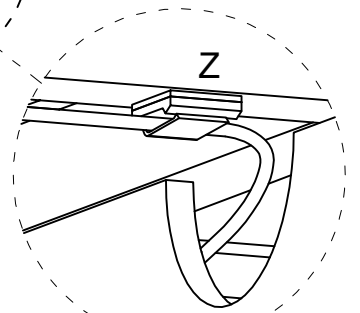
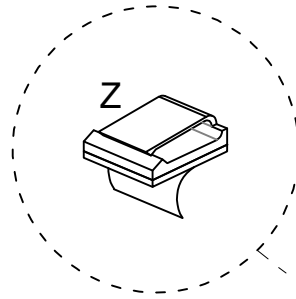
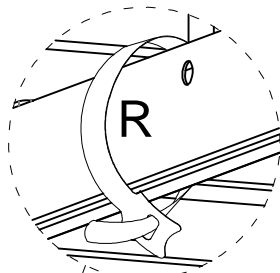
Tear off the end of the tape .Stick it in the position as shown



Please loosen the tie and tie it onto the iron pipe. As shown in the figure.

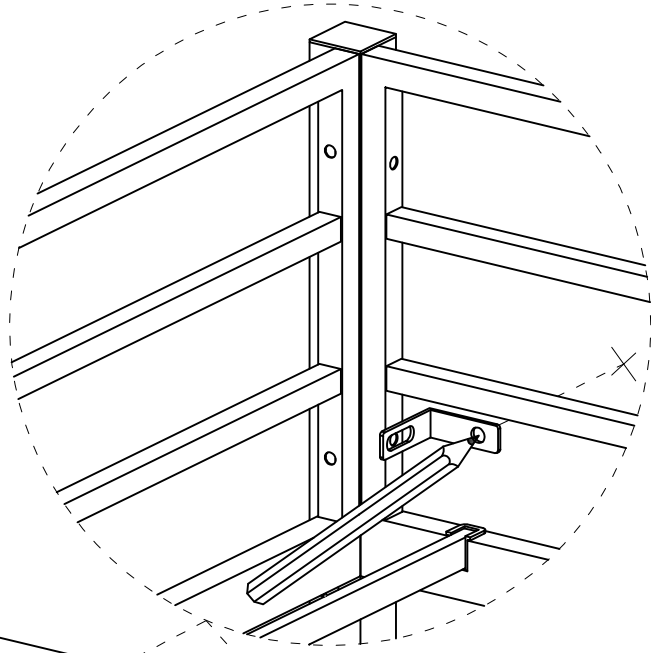


R

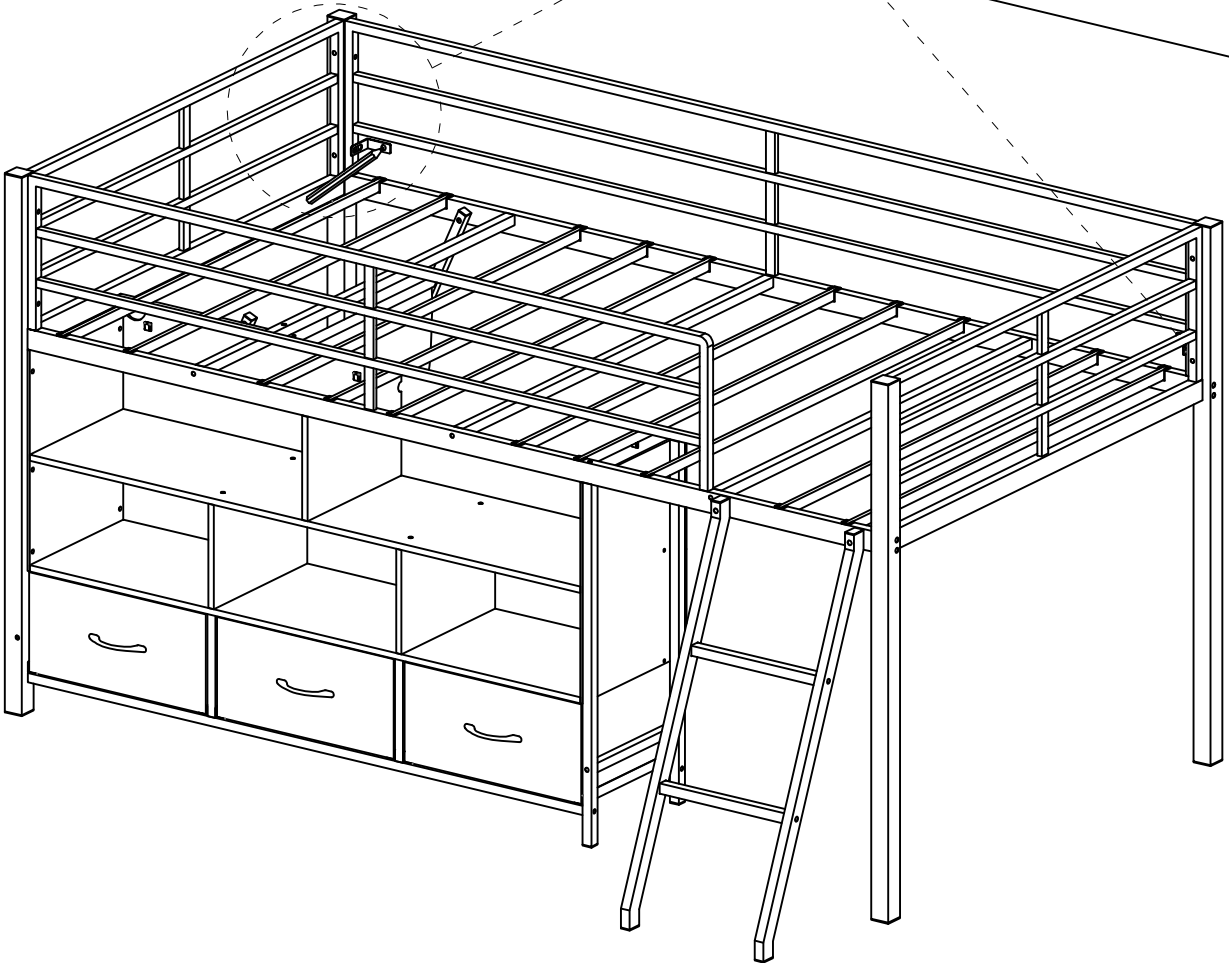


33

# Positioning



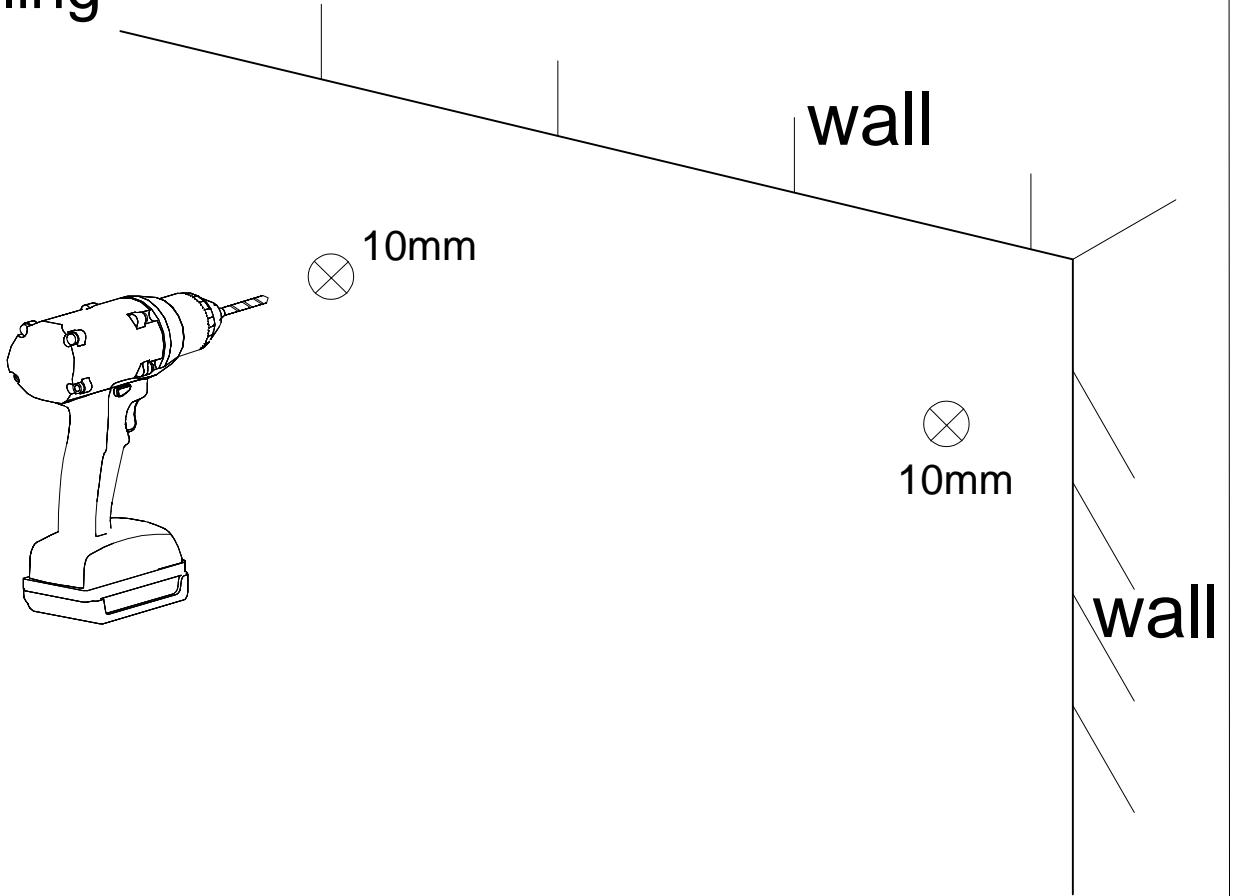
wall



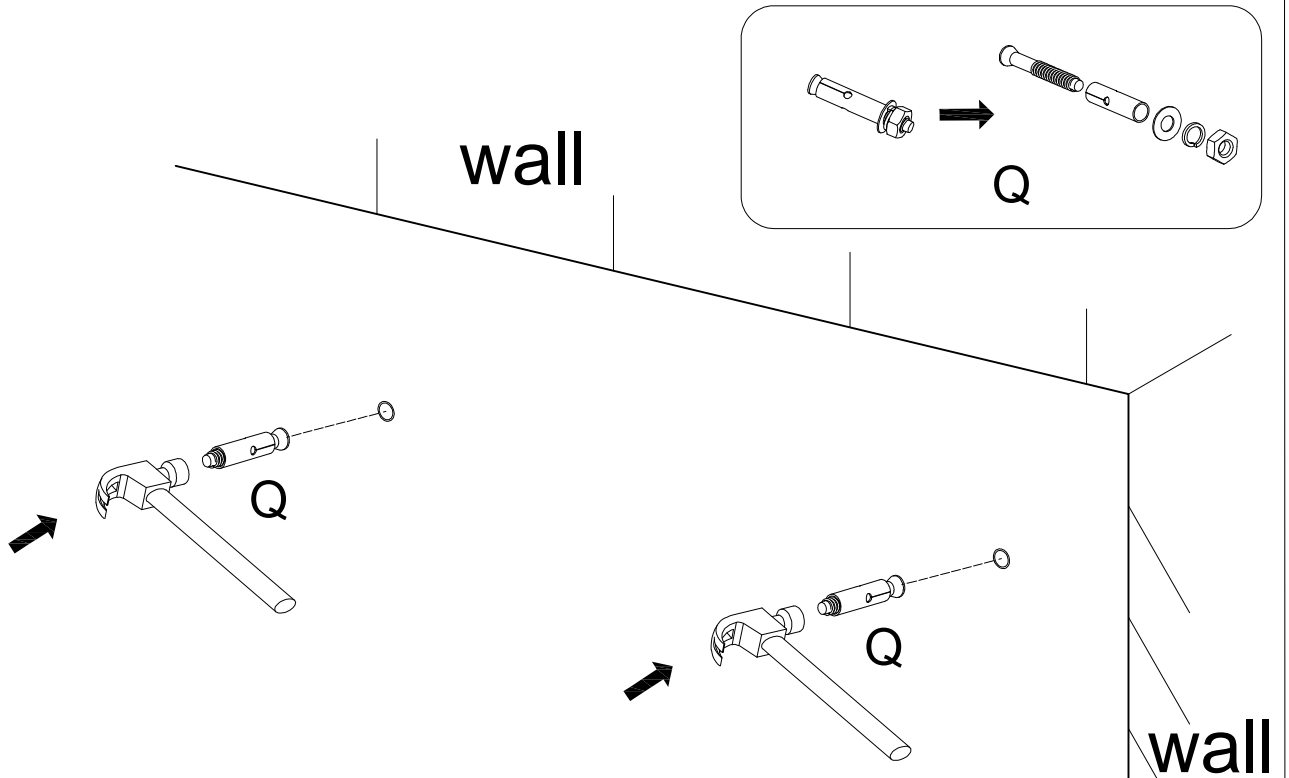
wall

34

# Drilling

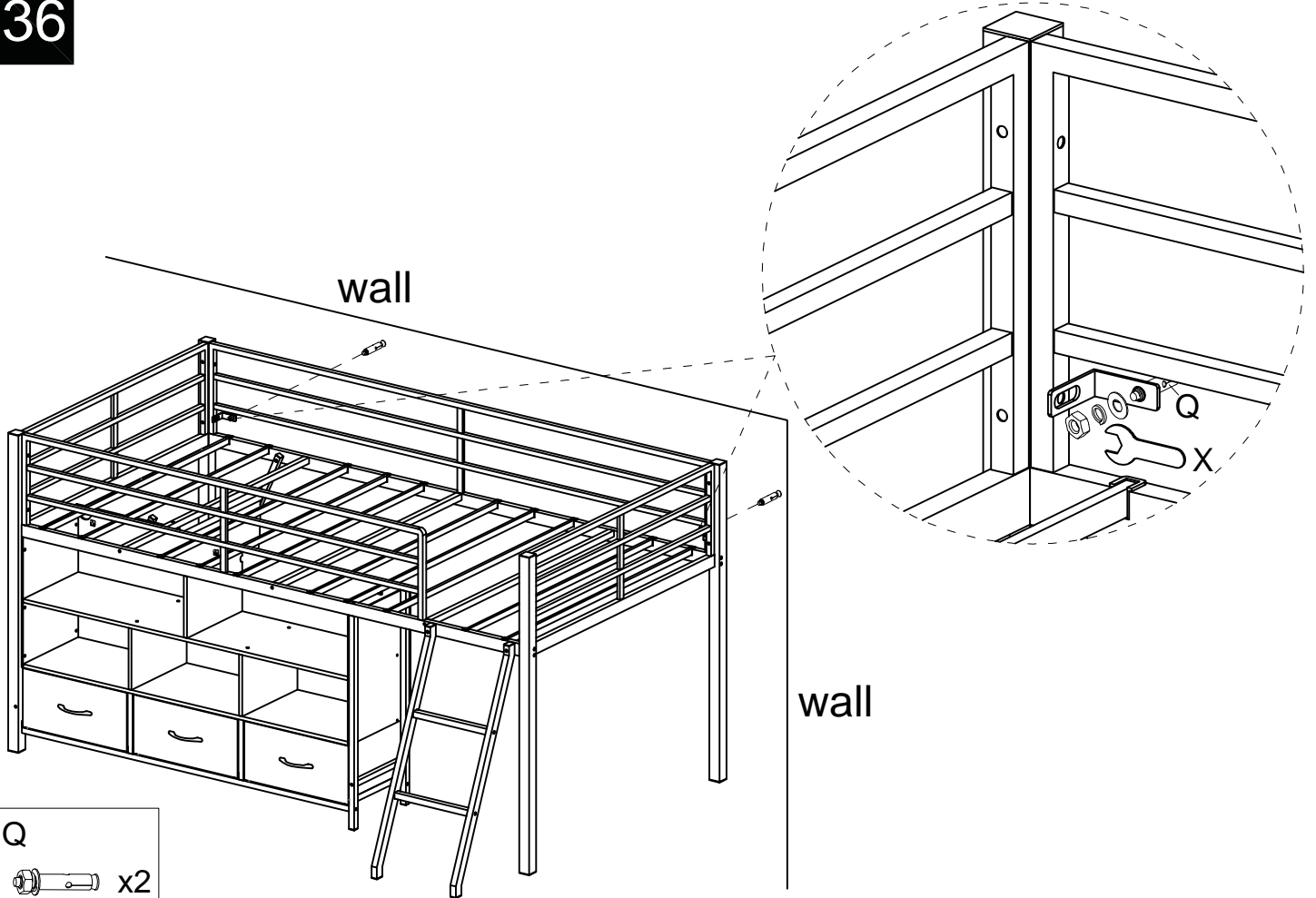


35



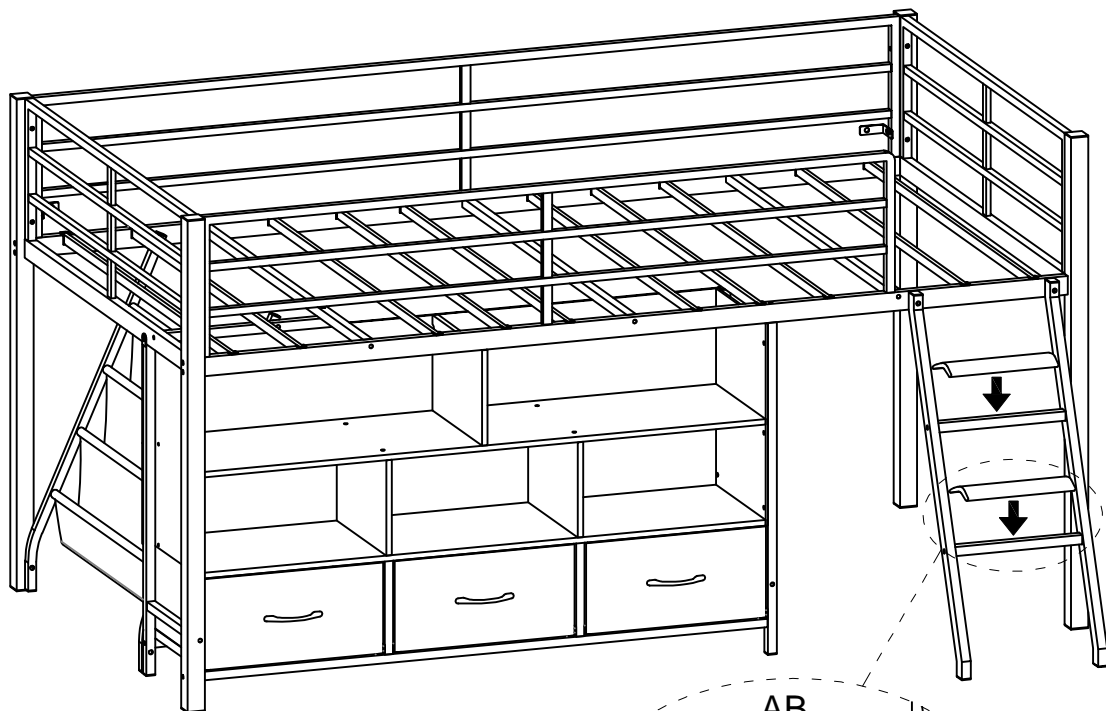
Please lock the expansion screw onto the wall.

36



Q  
x2

37



After tearing the tape off the sponge, attach the sponge to the stair tube

AB  
x2