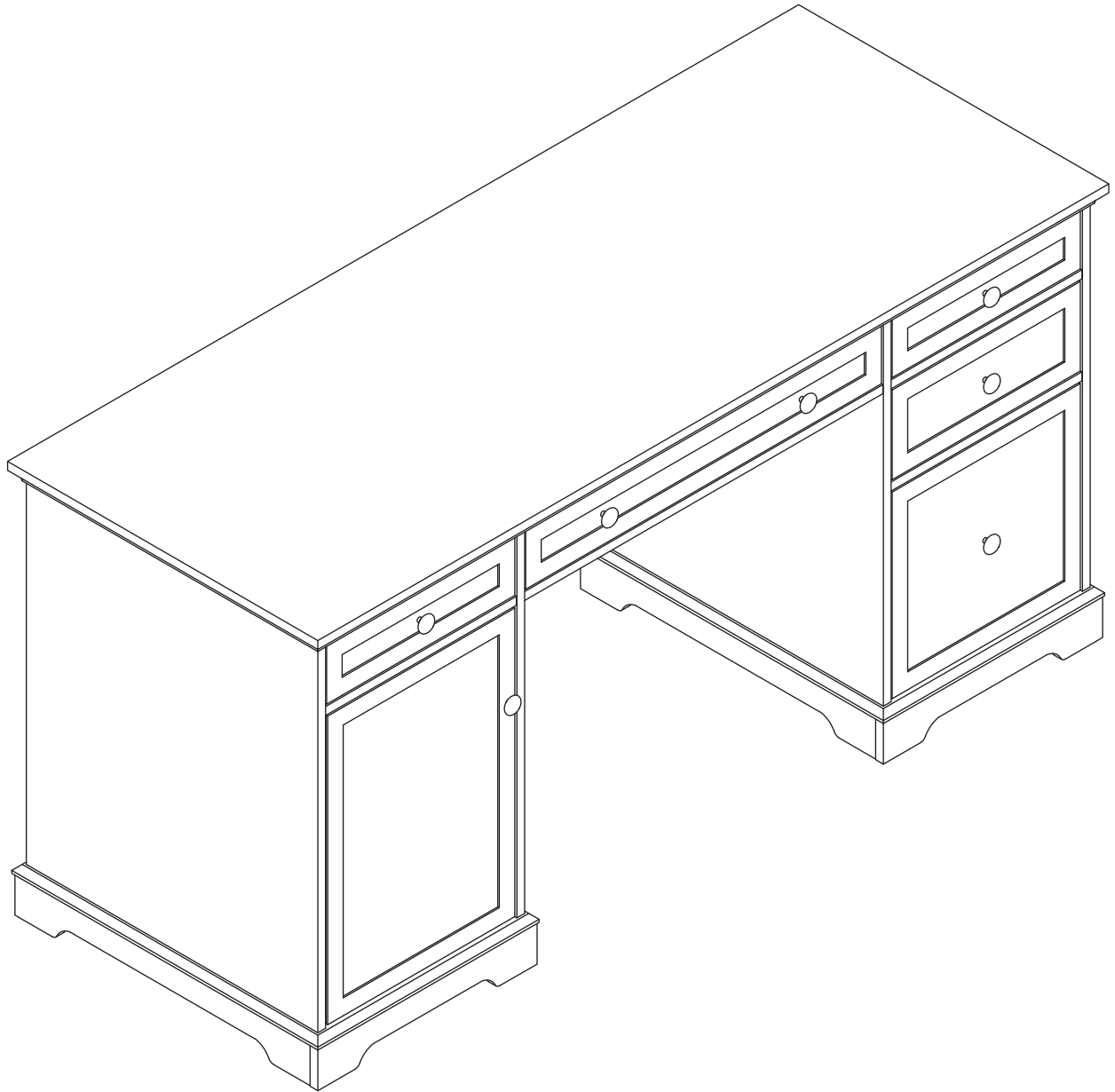
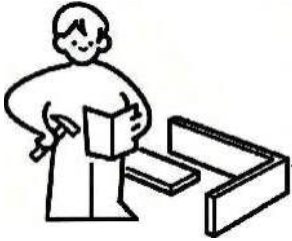


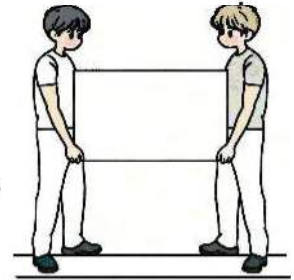
INSTRUCTION MANUAL





Please read this manual carefully before assembling or using this product. Follow the instructions thoroughly and keep this manual for future reference.

For a faster and easier assembly, work with a partner.



IMPORTANT INSTALLATION AND MAINTENANCE NOTES

- The furniture is large and heavy, please choose a good placement before installation. After the installation is completed, try not to move it widely. If necessary, more than one person should cooperate to carry it.
- Please note: After the installation is completed, avoid vigorous dragging or using brute force to carry the furniture, as this may cause irreversible damage to the connection points or plates, leading to cracks that affect the functionality and appearance of the product.
- Any product that is assembled using screws should be re-tightened 2 weeks after assembly, and once every 3 months thereafter, to ensure stability throughout the product's lifespan.
- For regular maintenance and cleaning of the product: For the frame, use a rag dipped in neutral detergent to wipe it thoroughly, then dry it with a clean rag. For glass materials, use a rag dampened with a water-based glass cleaner, and then dry it with a dry rag.
- Do not use an electric screwdriver, and avoid using excessive force during installation, as the board is easy to break.
- If you have any issues or questions, please feel free to contact our customer service team

ANTI-TOPPLE WARNING!

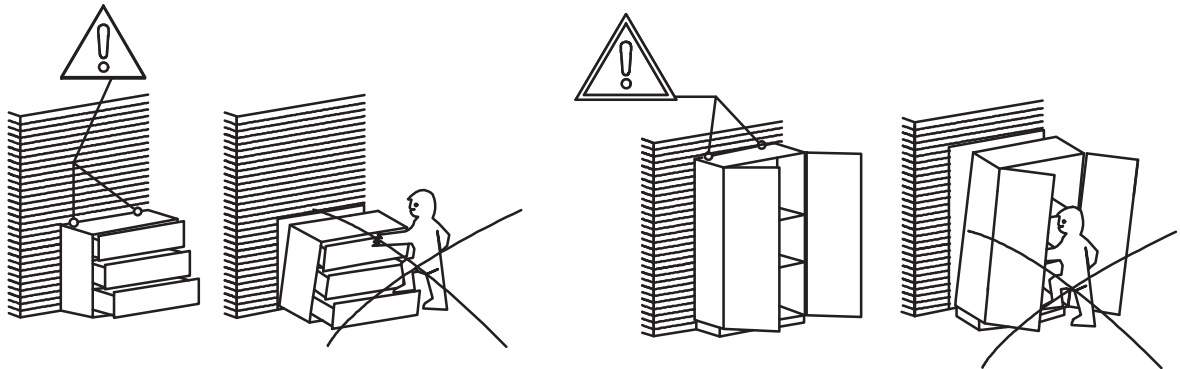
Overtured furniture can cause serious injury or even death.

To prevent tipping over, always secure the furniture to the wall using the provided wall attachment.

If the wall attachment is not included, purchase one that fits your wall type.

If you're unsure, seek professional assistance to ensure correct installation.

Carefully follow each step of the assembly instructions for safe and secure setup.



This product contains small parts, please keep out of reach of children.

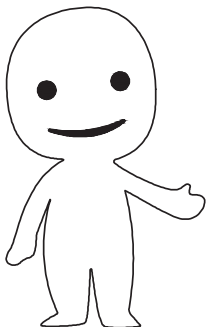
Ce produit contient de petites pièces, s'il vous plaît. À conserver hors de portée des enfants.

Bitte halten Sie kleine Teile außerhalb der Reichweite von Kindern.

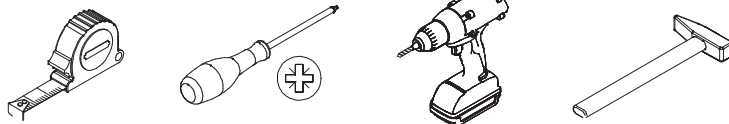
Este producto contiene piezas pequeñas. Mantener fuera del alcance de los niños.

Este produto contém peças pequenas. Por favor, mantenha fora do alcance das crianças.

Questo prodotto contiene piccole parti, si prega di tenere fuori dalla portata dei bambini.



Please prepare the following tools



In case of doubt, compare the hardware with the full-size images below.

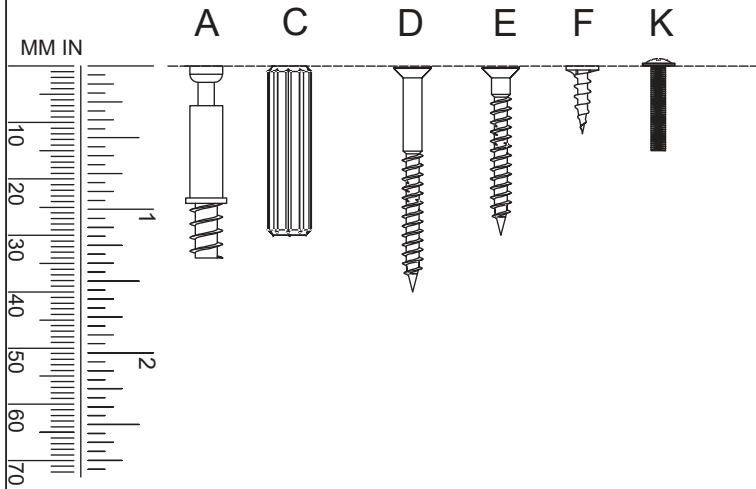
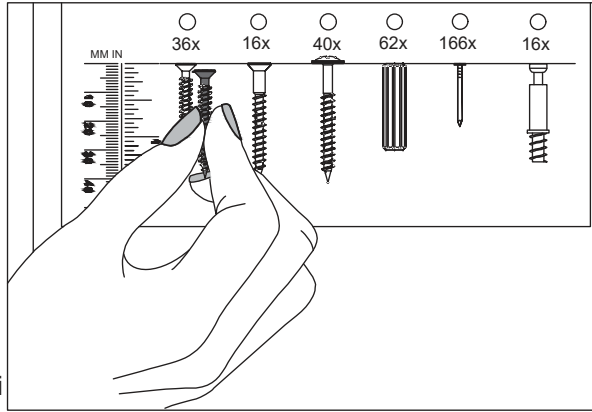
En cas de doute, veuillez comparer la quincaillerie avec les images ci-dessous à taille réelle.

Vergleichen Sie im Zweifelsfall die Schrauben mit den Abbildungen in Originalgröße.

En caso de duda, compare los herrajes con las imágenes a continuación en tamaño real.

Em caso de dúvida, compare as ferragens com as imagens abaixo em tamanho real.

In caso di dubbio, confronta la ferramenta con le immagini sottostanti a grandezza reale.



When installing, please carefully confirm whether **each screw corresponds to the manual**, with similar shapes can be distinguished by size

A x 81



Φ6 x 34mm

B x 81



Φ15 x 9.5mm

C x 45



Φ8 x 30mm

D x 13



Φ4 x 40

E x 19



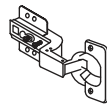
Φ4 x 30

F x 54

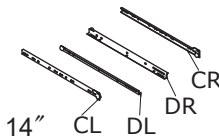


Φ3.5 x 12mm

G x 2



H x 5



J x 7



K x 7



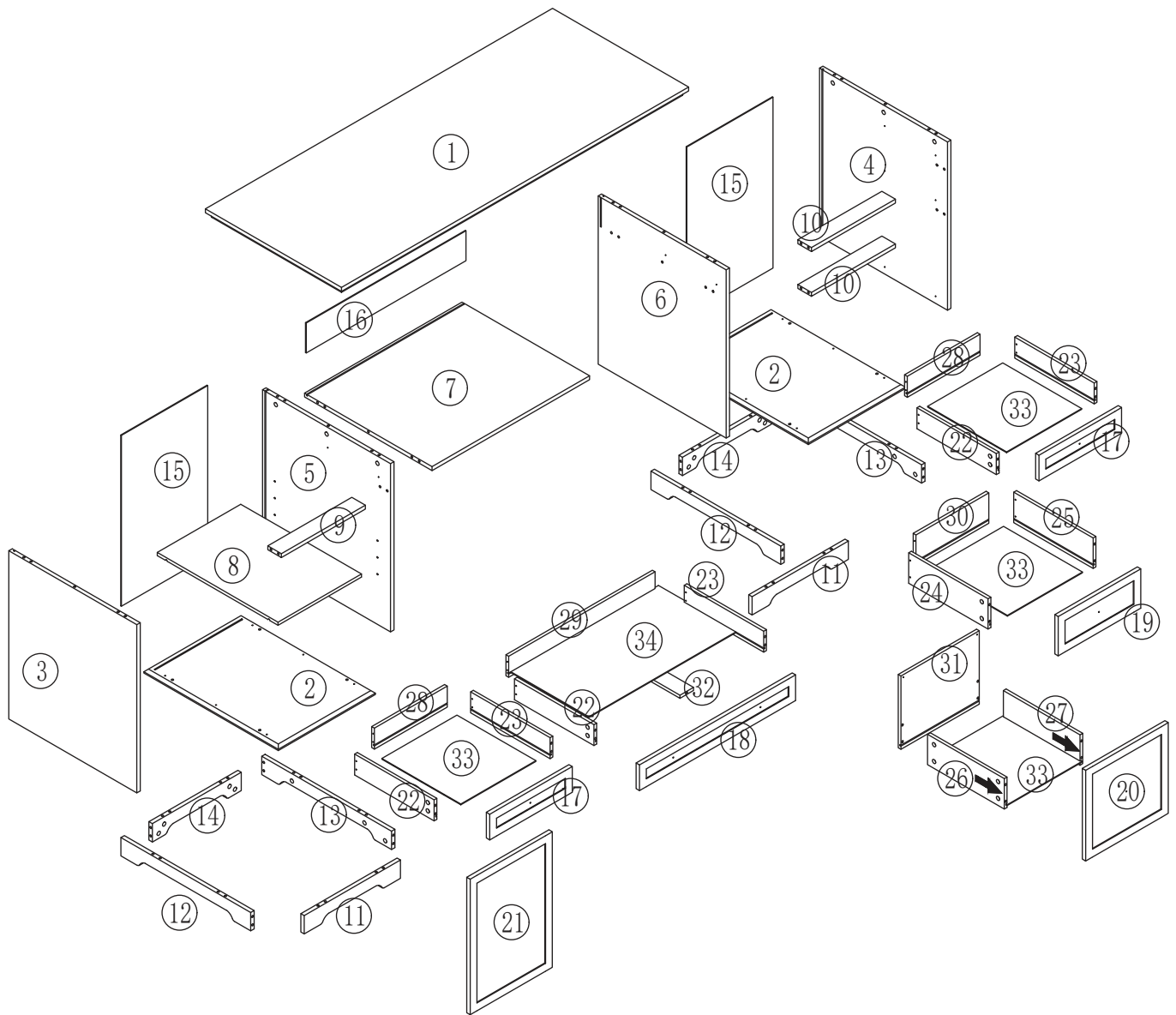
M4 x 15

L x 4



M x 2





▲WARNING



Children have died from furniture tipover.

To reduce the risk of furniture tipover:

- ALWAYS install tipover restraint provided.
- NEVER put a TV on this product.
- NEVER allow children to stand, climb or hang on drawers, doors, or shelves.
- NEVER open more than one drawer at a time.
- Place heaviest items in the lowest drawers.

This is a permanent label.

Do not remove!

ATTENTION - AVERTISSEMENT - ACHTUNG - ATENCIÓN - ATENÇÃO - ATTENZIONE

Assemble the furniture on a clean and flat surface and cover it with the cardboard of the packaging.

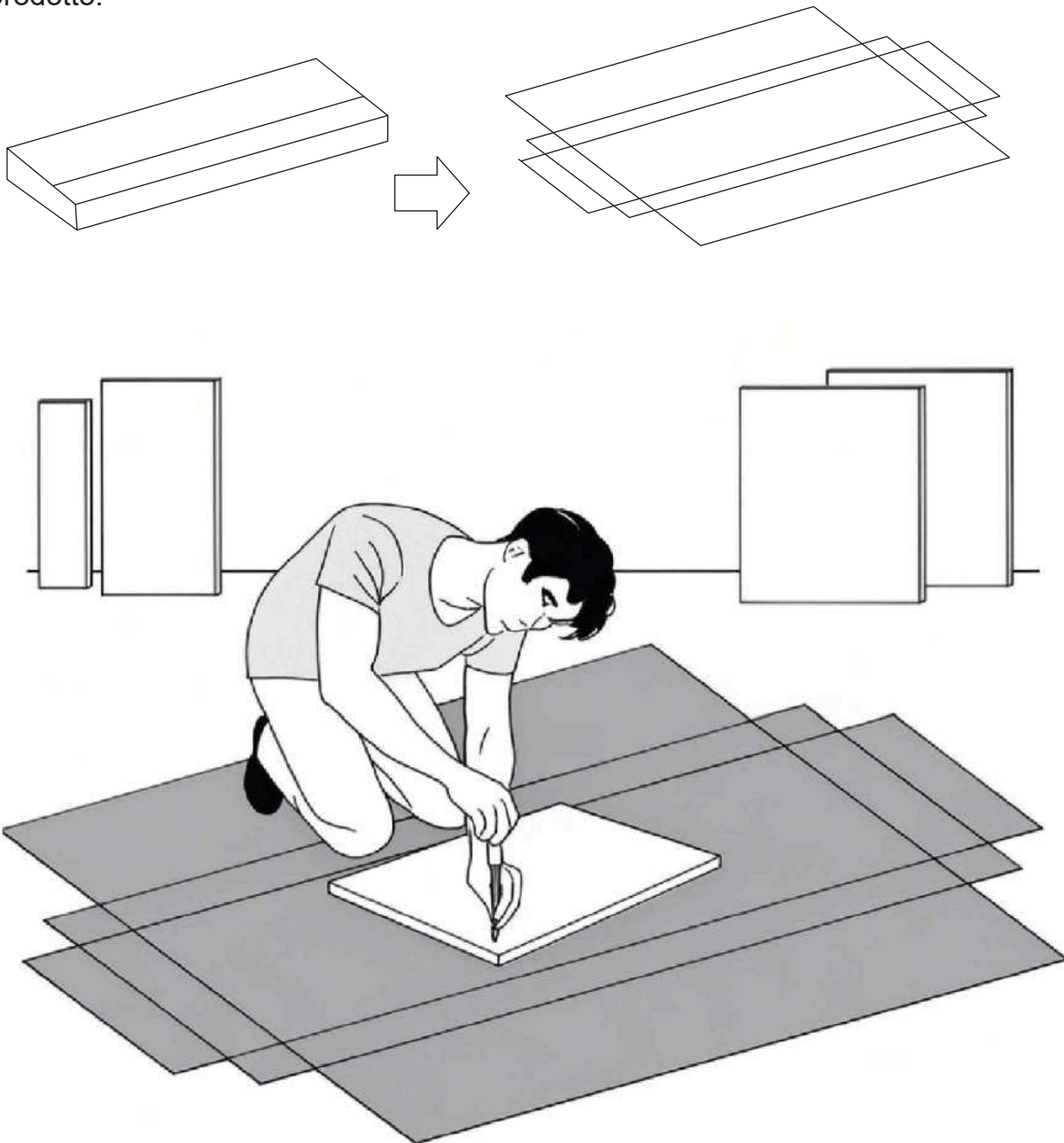
Assemblez le meuble sur une surface propre et plane et couvrez-le avec le carton de l'emballage du produit.

Um Beschädigungen zu vermeiden, montieren Sie den Artikel auf einer weichen, sauberen Unterlage. Tipp: Legen Sie den Artikel auf dem Verpackungskarton.

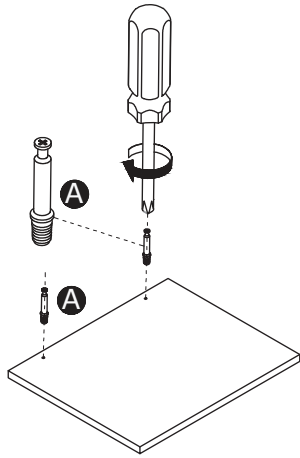
Montar el mueble sobre una superficie limpia y plana y cubrirlo con el cartón del embalaje del producto.

Montar o móvel sobre uma superfície limpa e plana e forrá-la com o papelão da embalagem do produto.

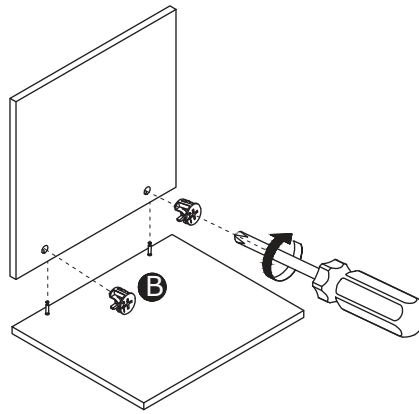
Montare il mobile su una superficie pulita e piana e rivestirla con il cartone d'imballaggio del prodotto.



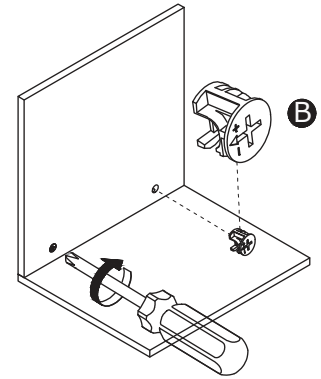
Use parts **A** and **B**



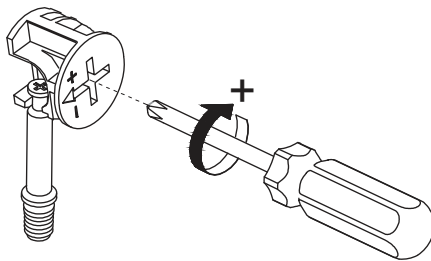
Step1



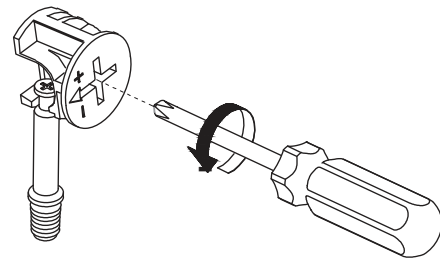
Step2



Step3

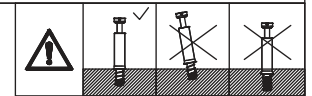
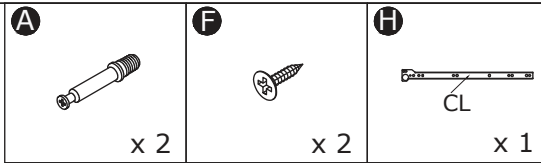


Use a screwdriver to lock in the direction of the "+" sign

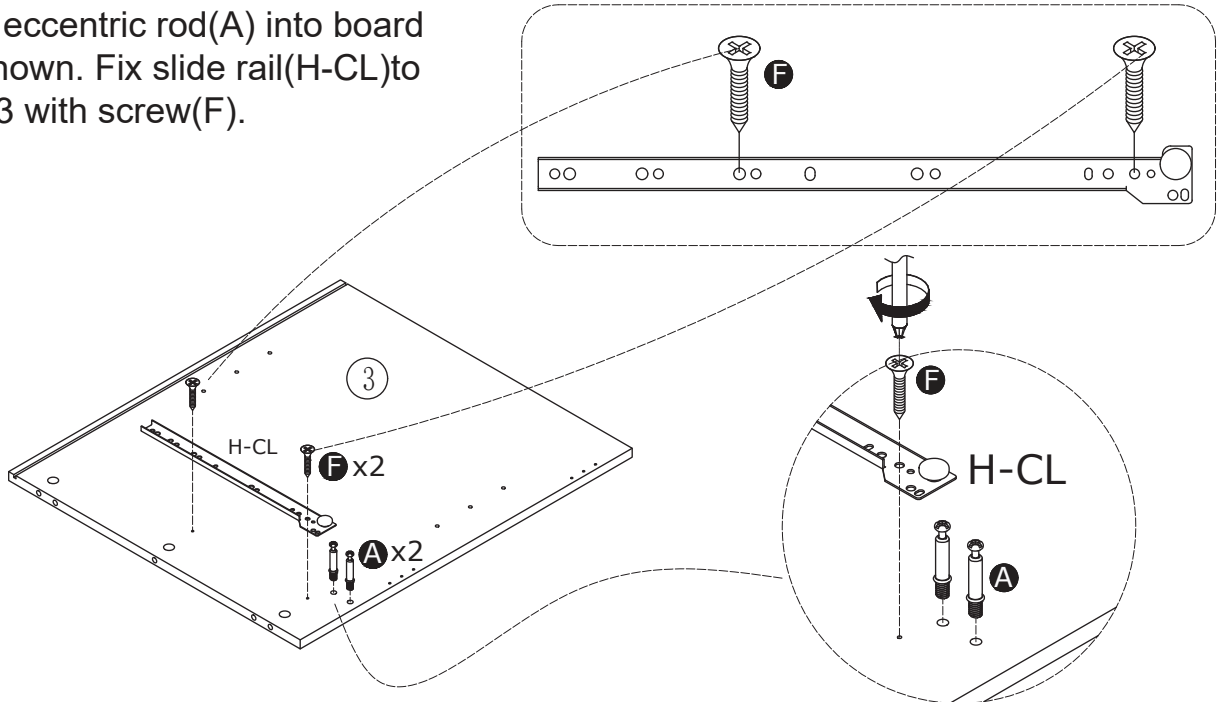


Disassemble along the direction of "-" sign

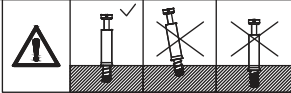
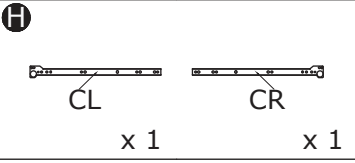
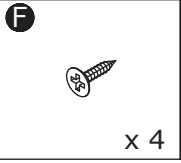
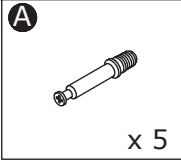
1



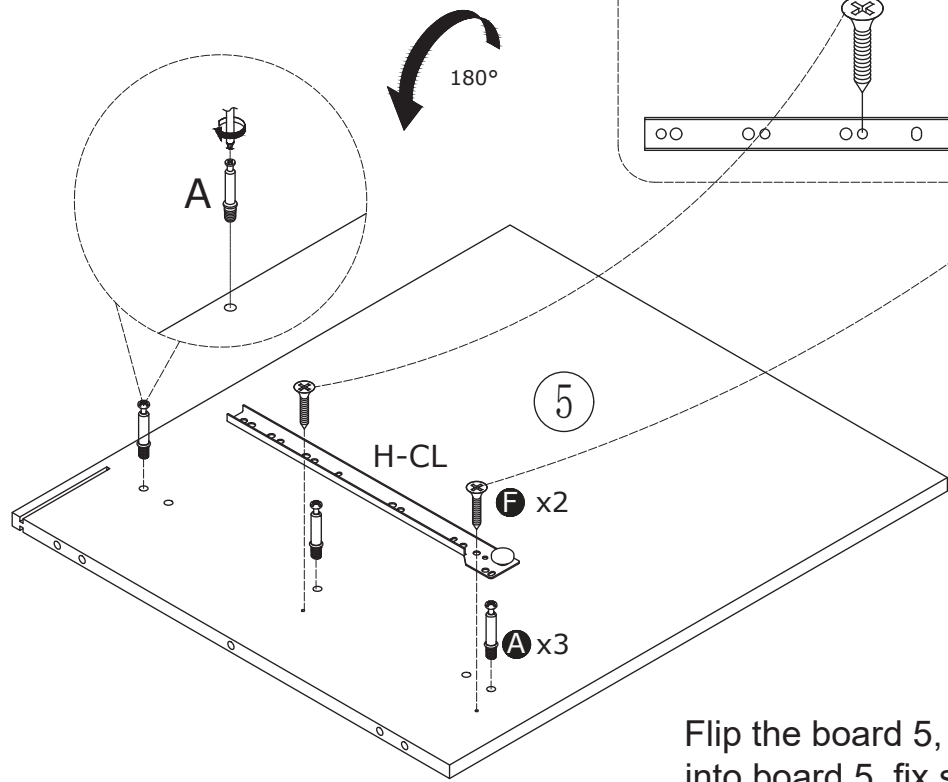
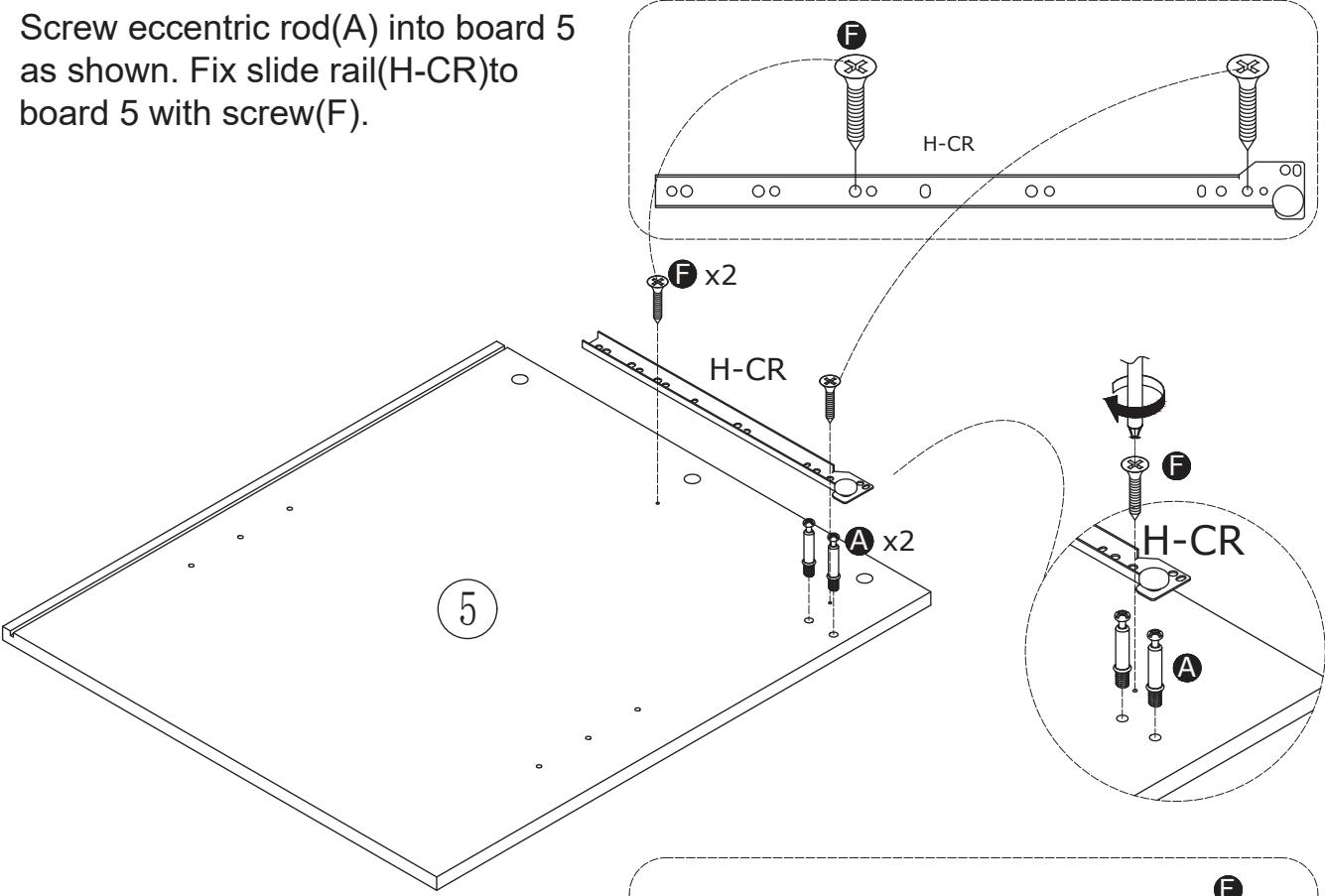
Screw eccentric rod(A) into board 3 as shown. Fix slide rail(H-CL) to board 3 with screw(F).



2



Screw eccentric rod(A) into board 5 as shown. Fix slide rail(H-CR) to board 5 with screw(F).



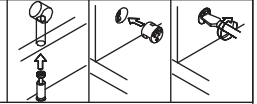
Flip the board 5, screw eccentric rod(A) into board 5, fix slide rail(H-CL) with screw(F), as well.

3

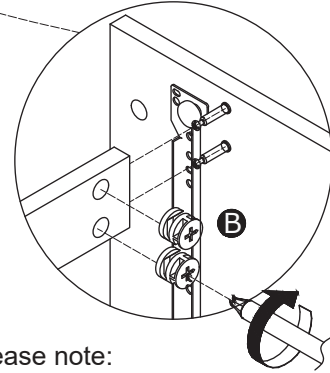
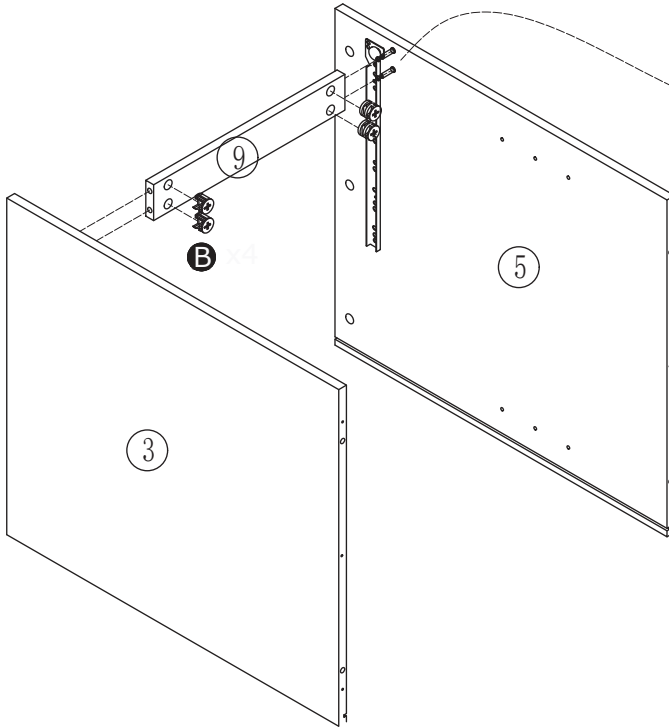
B



x 4



Connect board 3 and 5 to board 9, add cam lock(B) into board 9 and turn clockwise to tighten as shown.



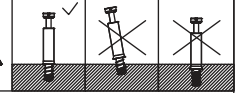
Please note:
This is the back plane mounting guide hole. Please ensure that it is facing the same direction during installation. Subsequent installations should follow the same orientation.

4

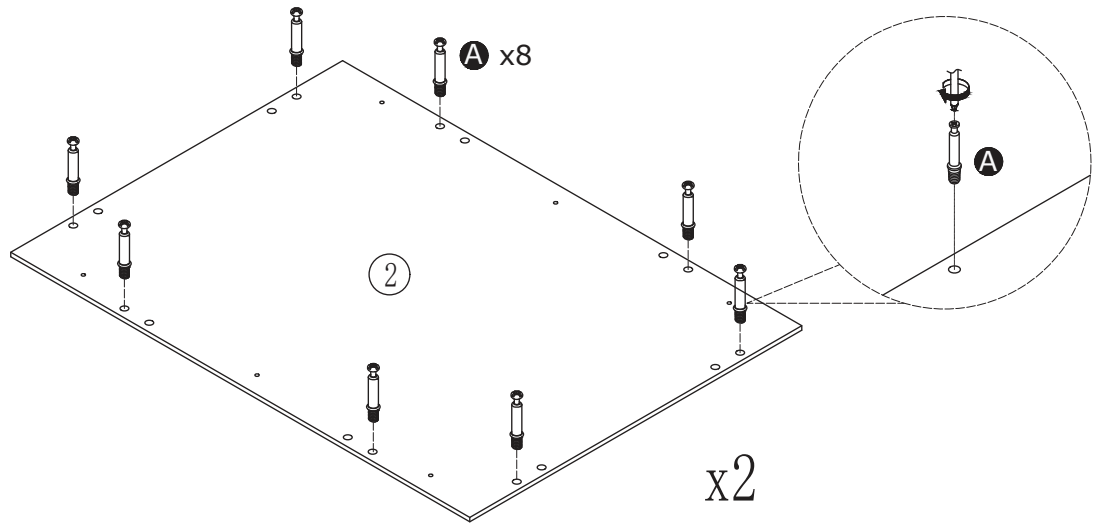
A



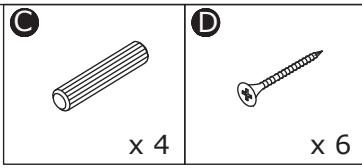
x 16



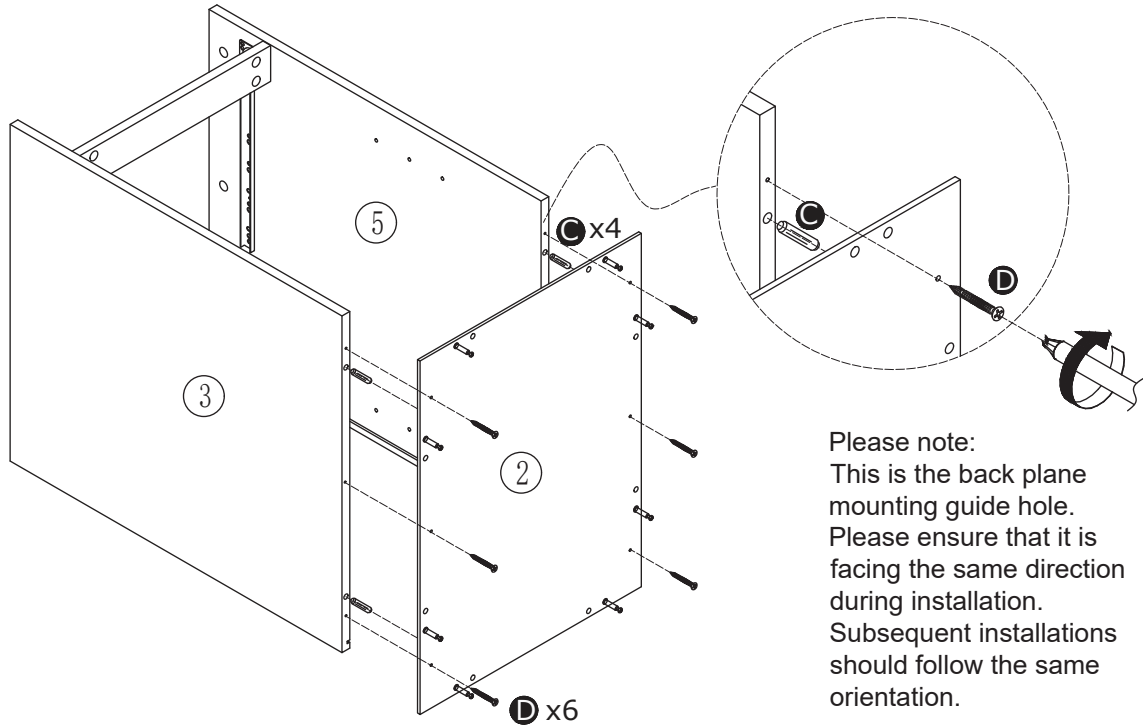
Screw eccentric rod(A) into board 2 as shown.



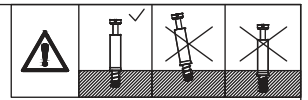
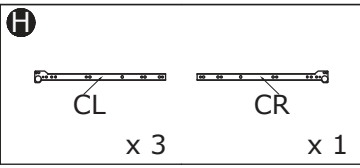
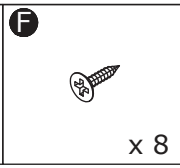
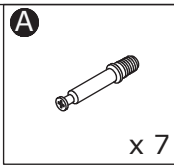
5



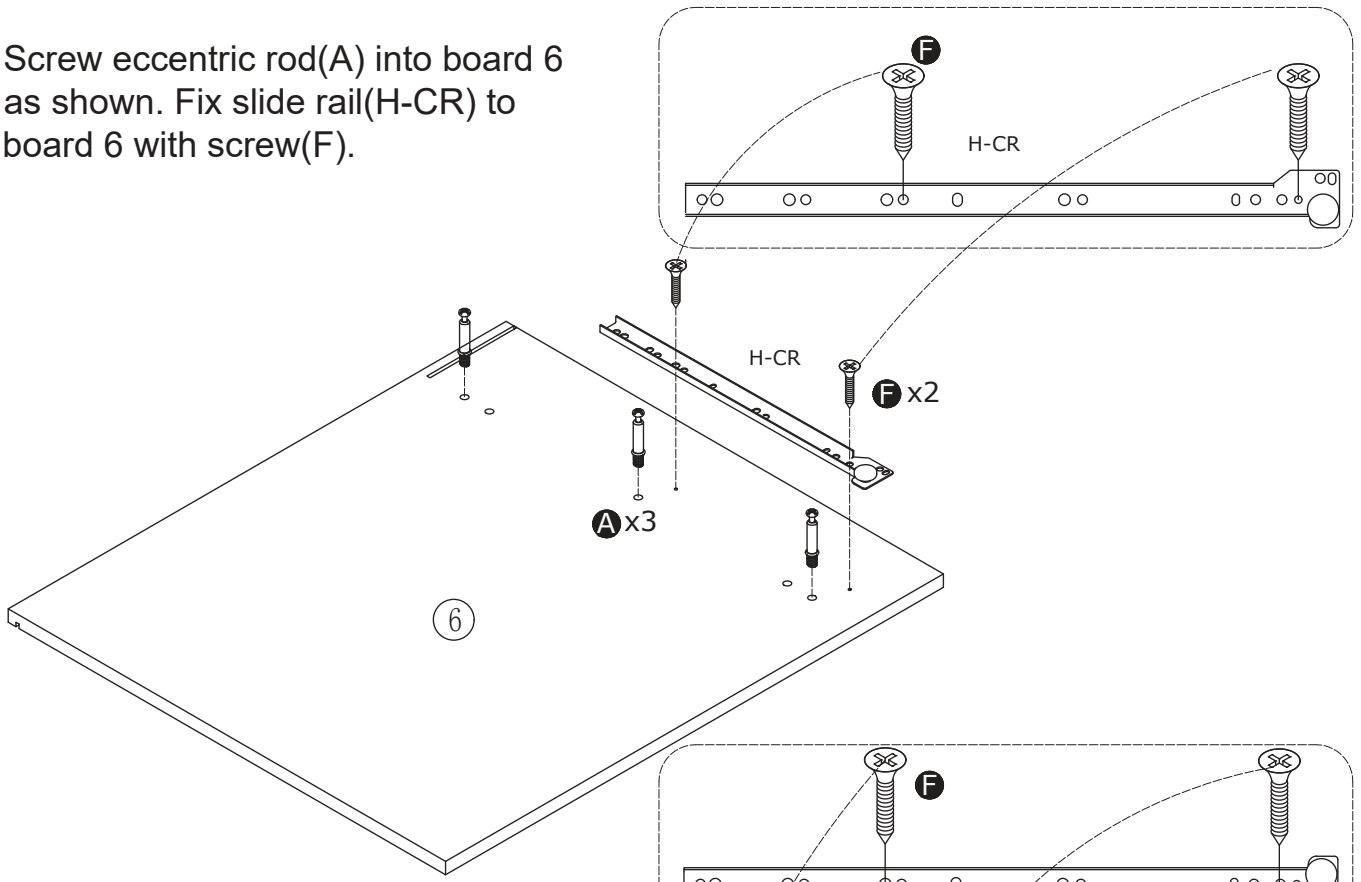
Attach board 2 to board 3 and 5 using wooden dowel(C), and fix with screw(D) as shown.



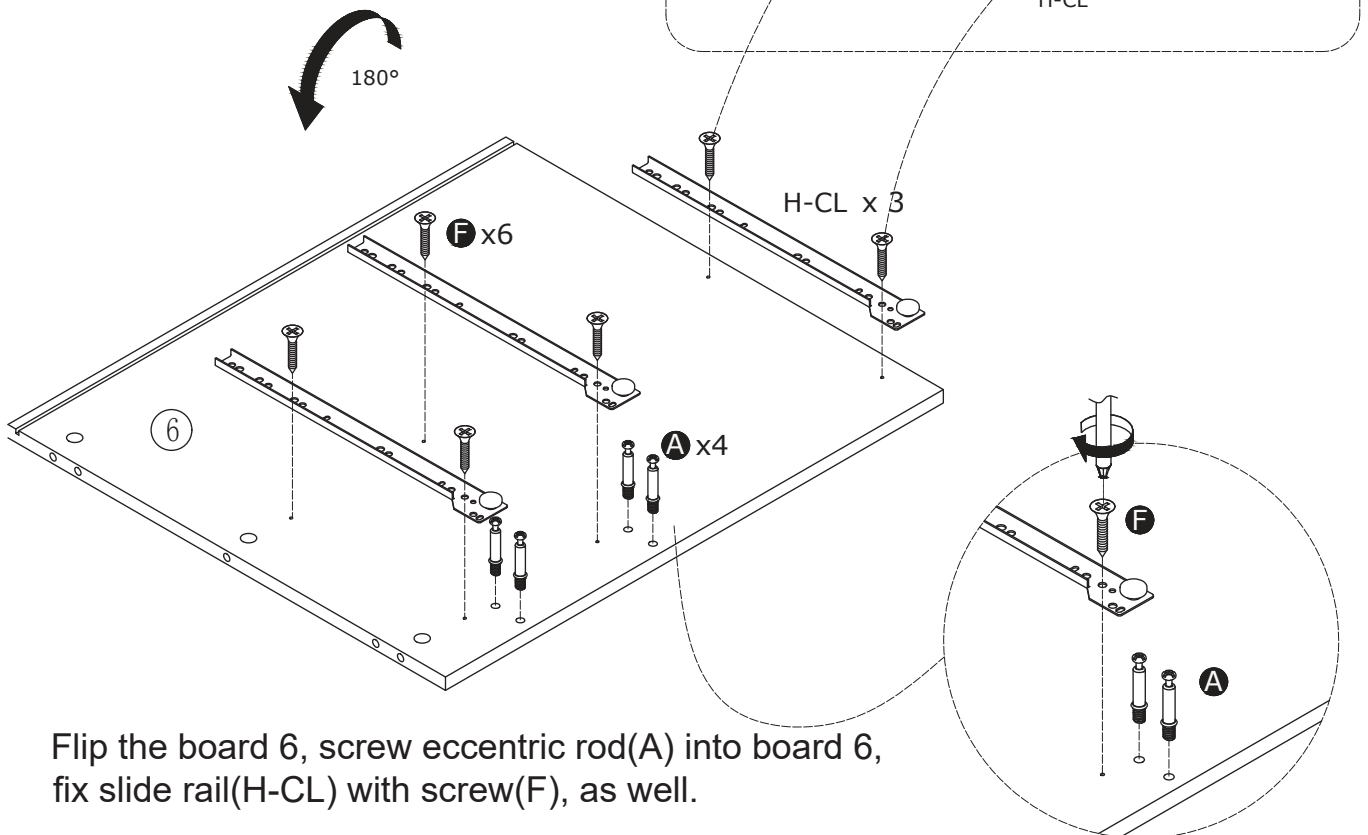
6



Screw eccentric rod(A) into board 6 as shown. Fix slide rail(H-CR) to board 6 with screw(F).

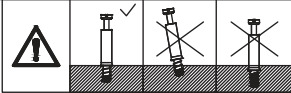
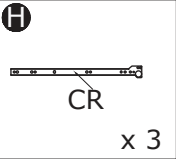
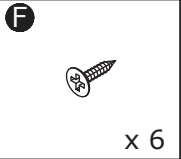
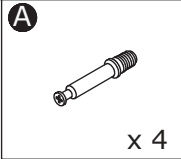


180°

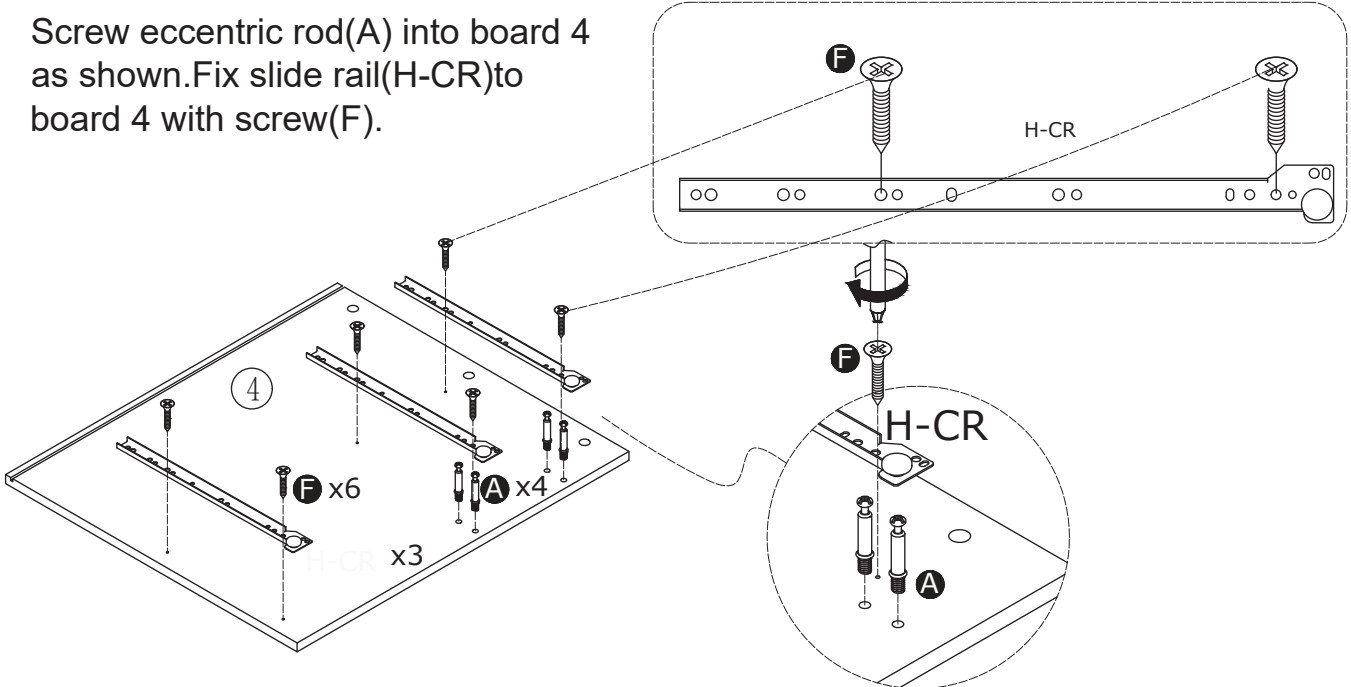


Flip the board 6, screw eccentric rod(A) into board 6, fix slide rail(H-CL) with screw(F), as well.

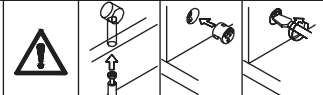
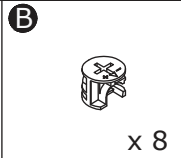
7



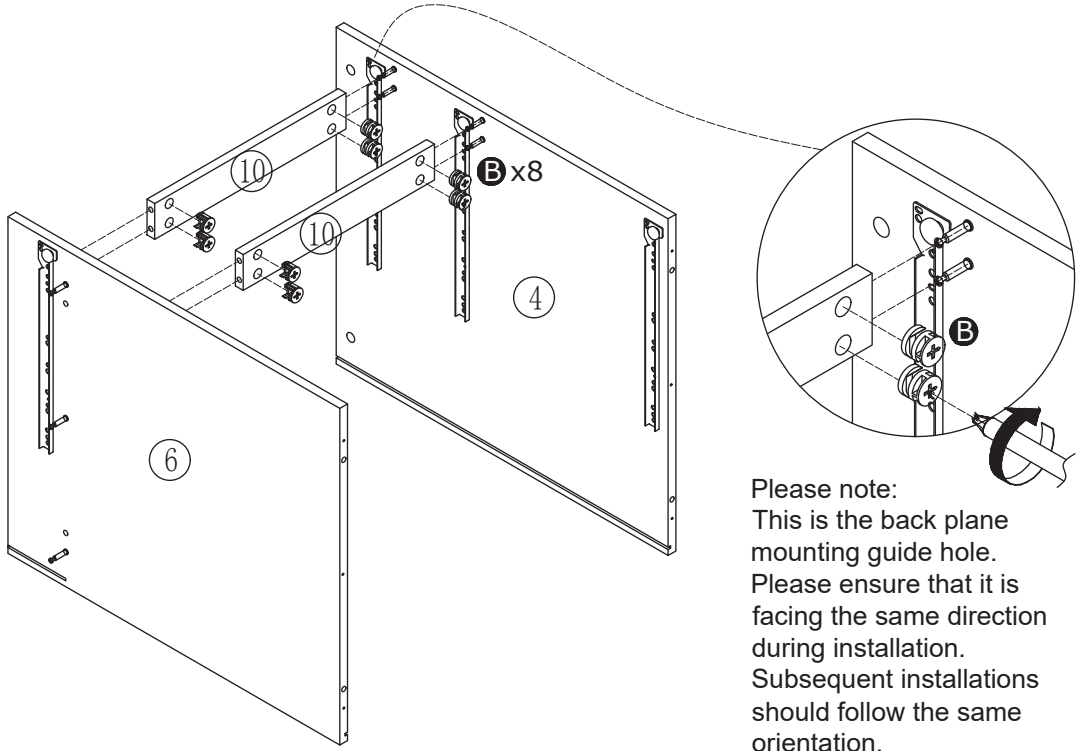
Screw eccentric rod(A) into board 4 as shown. Fix slide rail(H-CR) to board 4 with screw(F).



8

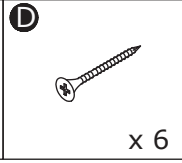
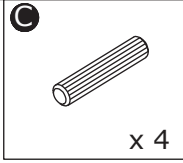


Connect board 10 to board 4 and 6, add cam lock(B) into board 10 and turn clockwise to tighten as shown.

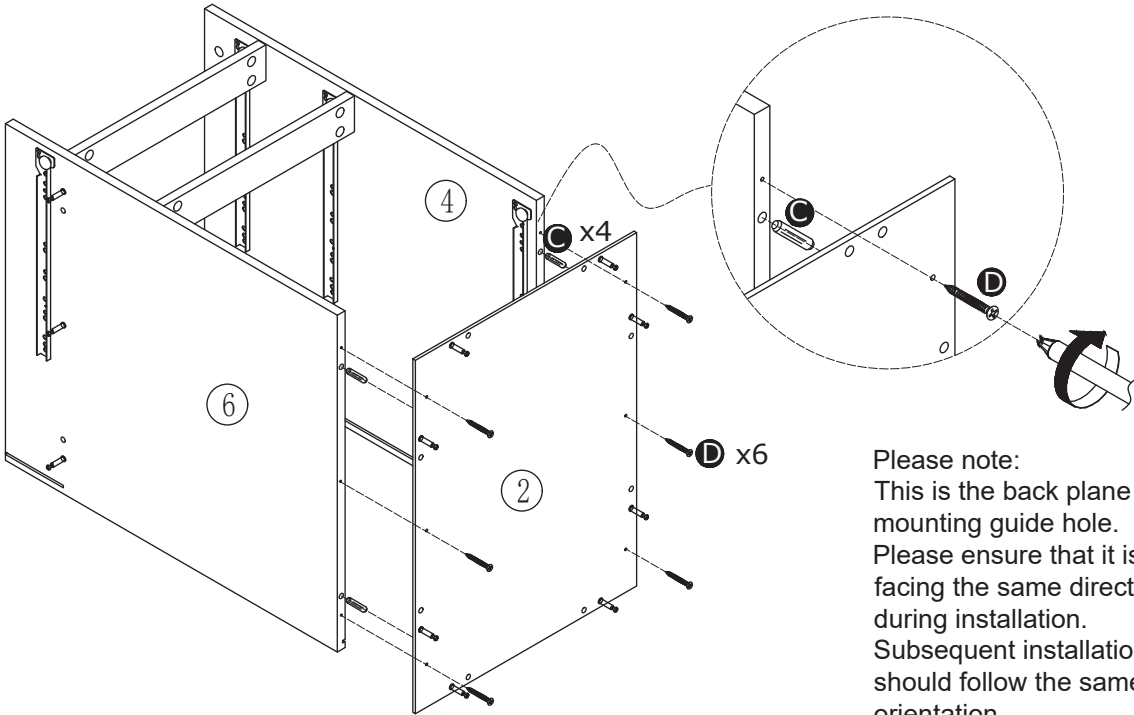


Please note:
This is the back plane mounting guide hole. Please ensure that it is facing the same direction during installation. Subsequent installations should follow the same orientation.

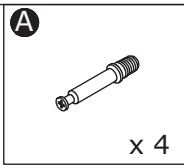
9



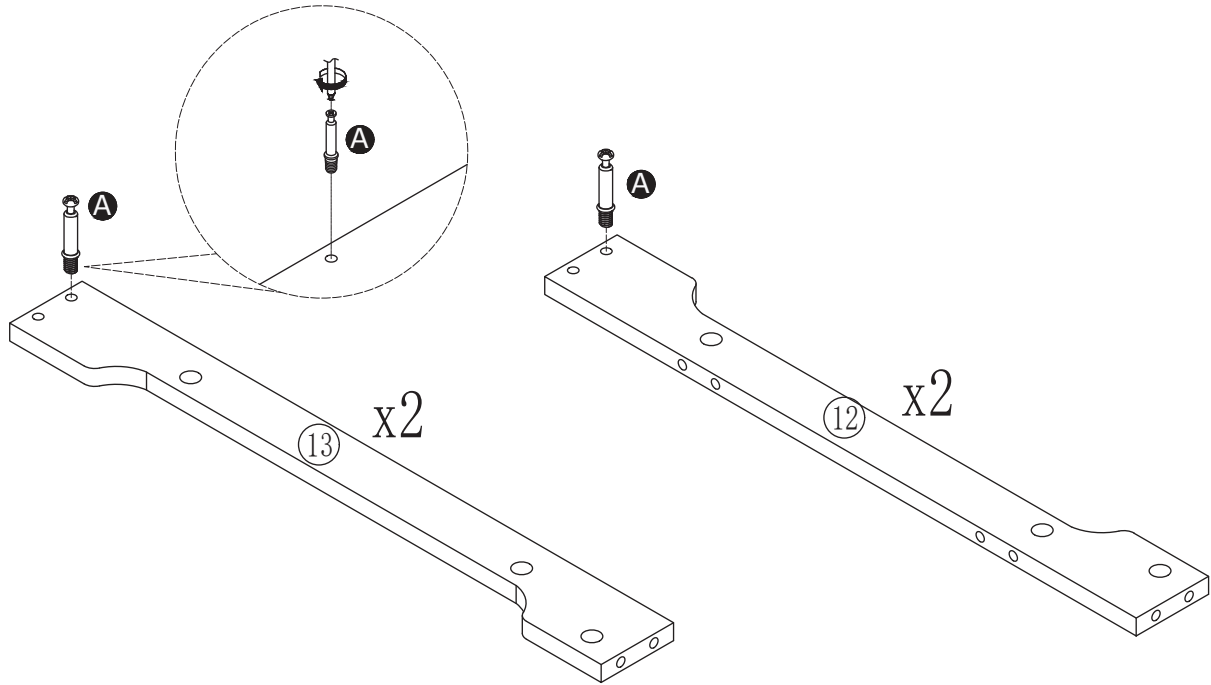
Attach board 2 to board 4 and 6 using wooden dowel(C), and fix with screw(D) as shown.



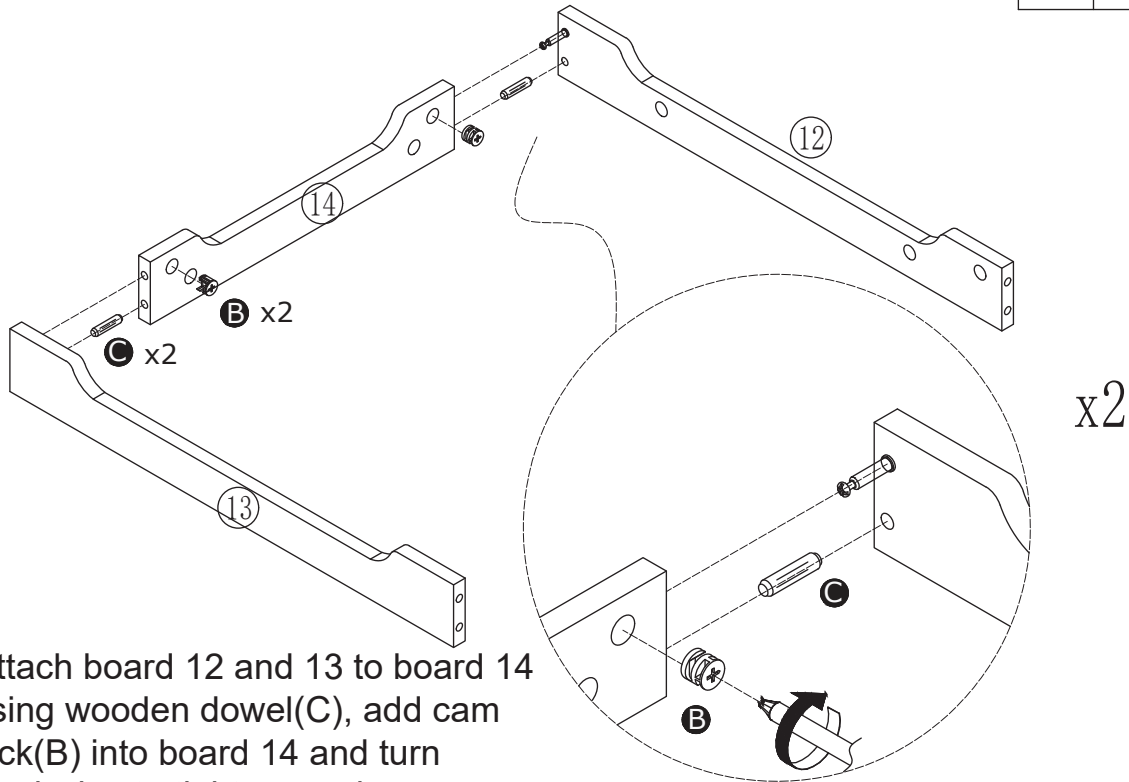
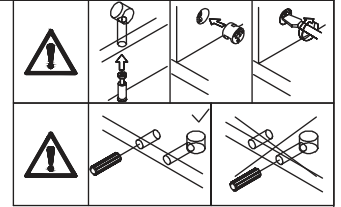
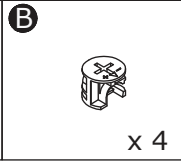
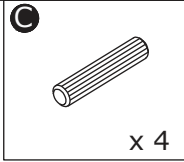
10



Screw eccentric rod(A) into board 12 and 13 as shown.

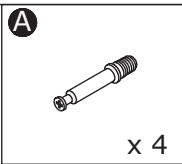


11

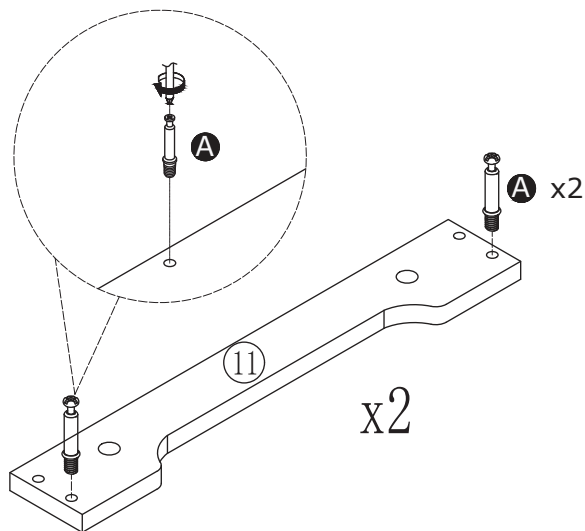


Attach board 12 and 13 to board 14 using wooden dowel(C), add cam lock(B) into board 14 and turn clockwise to tighten as shown.

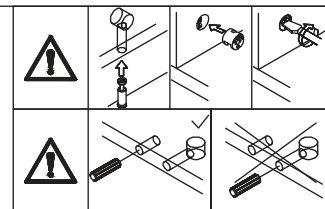
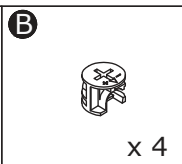
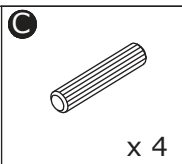
12



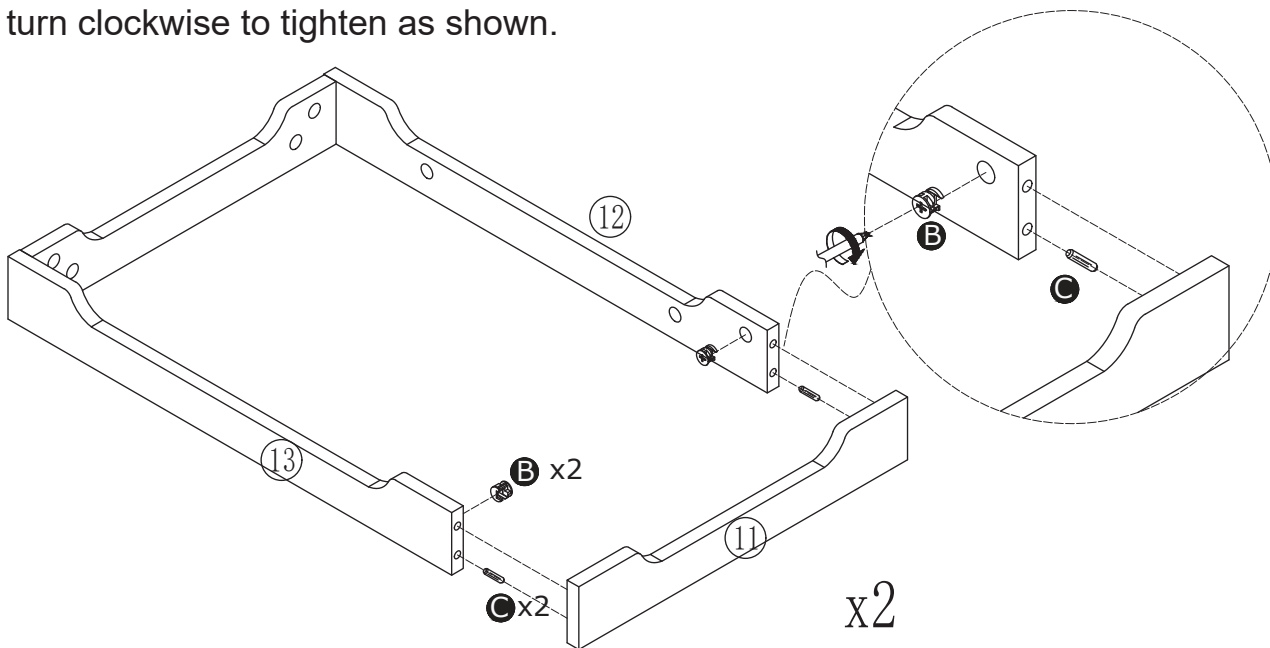
Screw eccentric rod(A) into board 11 as shown.



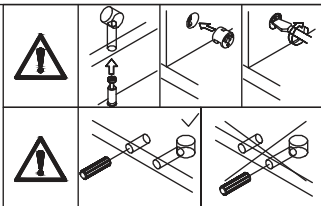
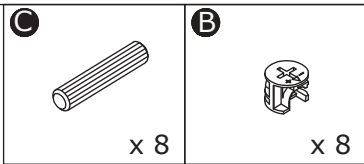
13



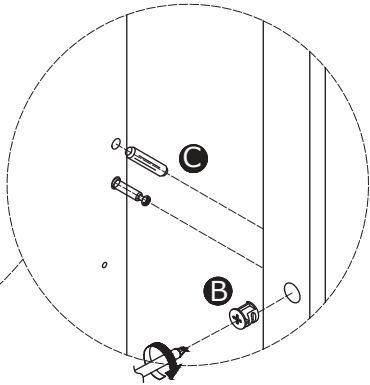
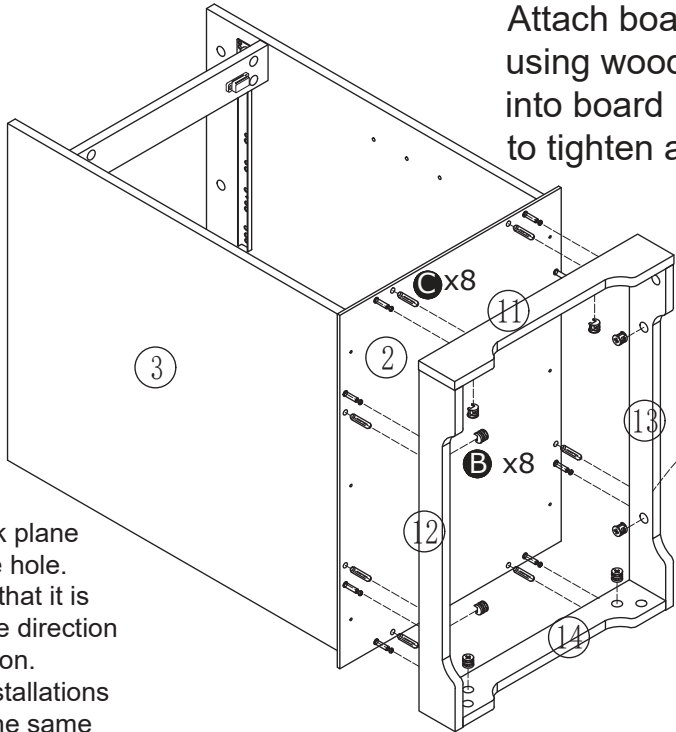
Attach board 11 to board 12 and 13 using wooden dowel(C), add cam lock(B) into board 12 and 13, turn clockwise to tighten as shown.



14

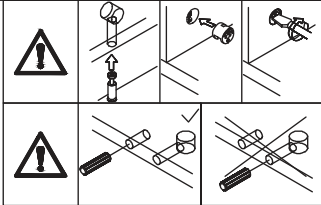
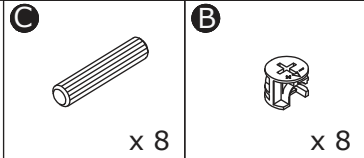


Attach board 11,12,13,14 to board 2 using wooden dowel(C), add cam lock(B) into board 11,12,13,14 and turn clockwise to tighten as shown.

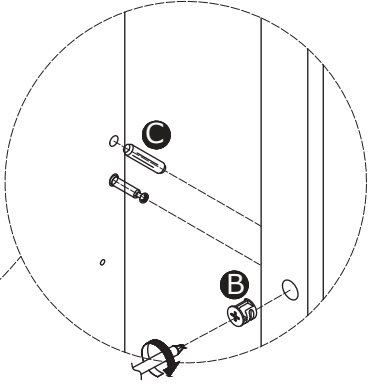
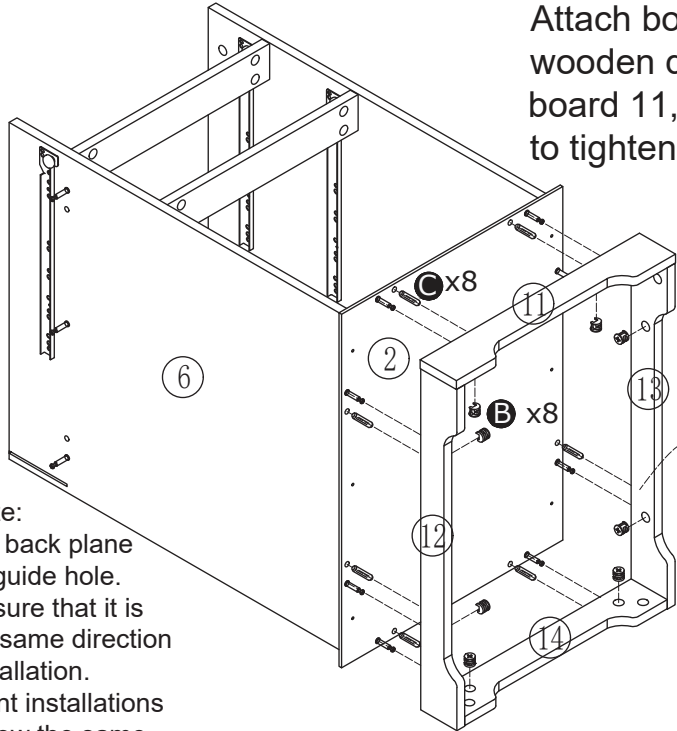


Please note:
This is the back plane mounting guide hole. Please ensure that it is facing the same direction during installation. Subsequent installations should follow the same orientation.

15

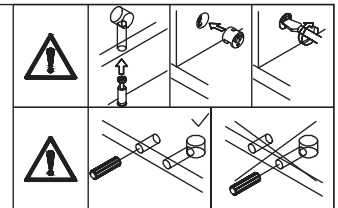
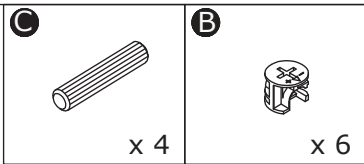


Attach board 11,12,13,14 to board 2 using wooden dowel(C), add cam lock(B) into board 11,12,13,14 and turn clockwise to tighten as shown.



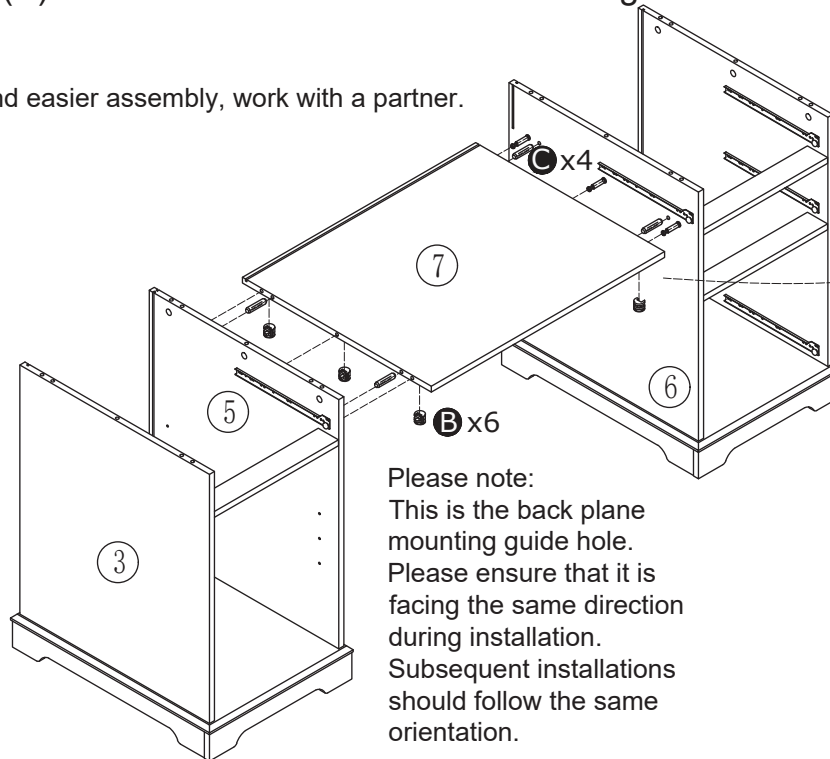
Please note:
This is the back plane mounting guide hole. Please ensure that it is facing the same direction during installation. Subsequent installations should follow the same orientation.

16

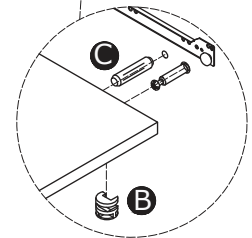


Attach board 7 to board 5 and 6 using wooden dowel(C), add cam lock(B) into board 7 and turn clockwise to tighten as shown.

For a faster and easier assembly, work with a partner.

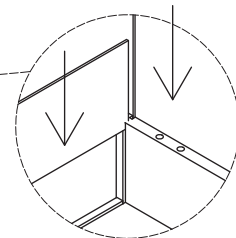
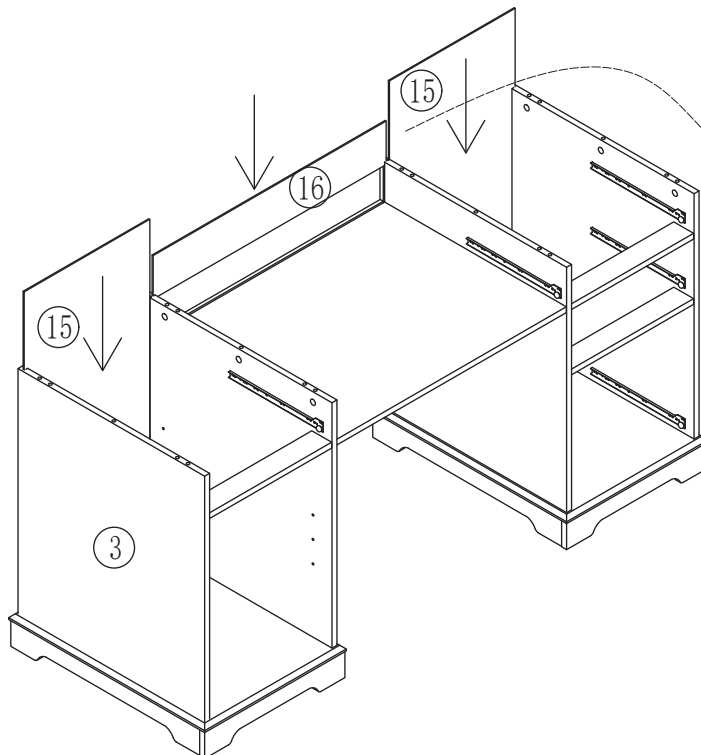


Please note:
This is the back plane mounting guide hole. Please ensure that it is facing the same direction during installation. Subsequent installations should follow the same orientation.

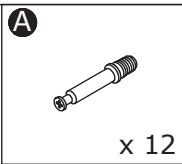


17

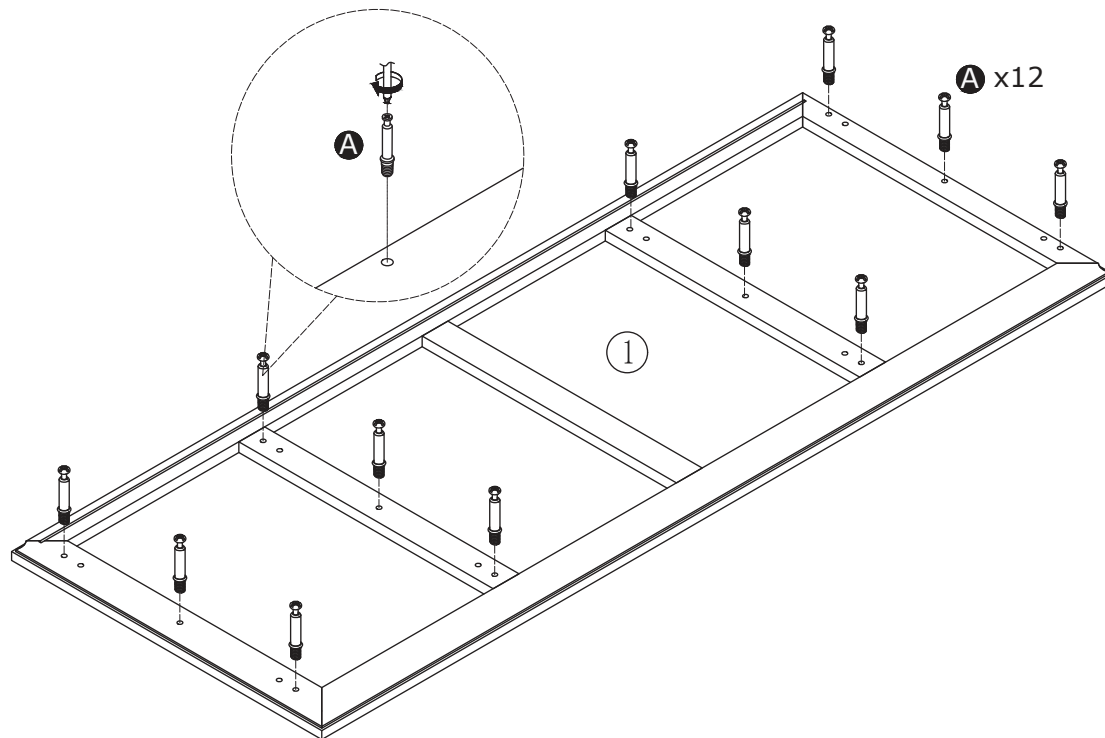
Slide board 15 and 16 in to available grooves as shown.



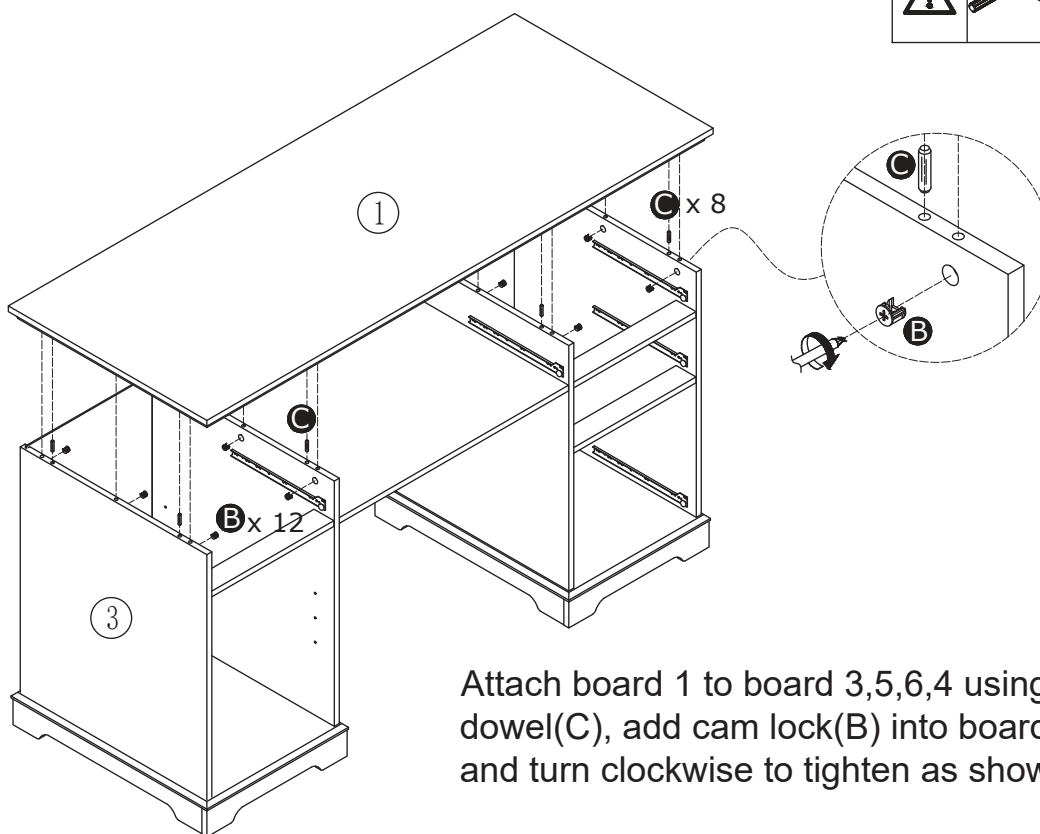
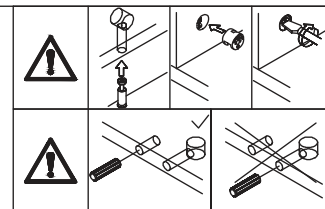
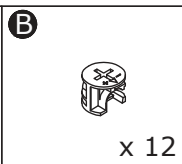
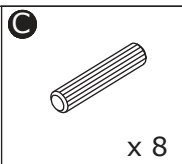
18



Screw eccentric rod(A) into board 1 as shown.

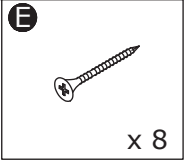


19

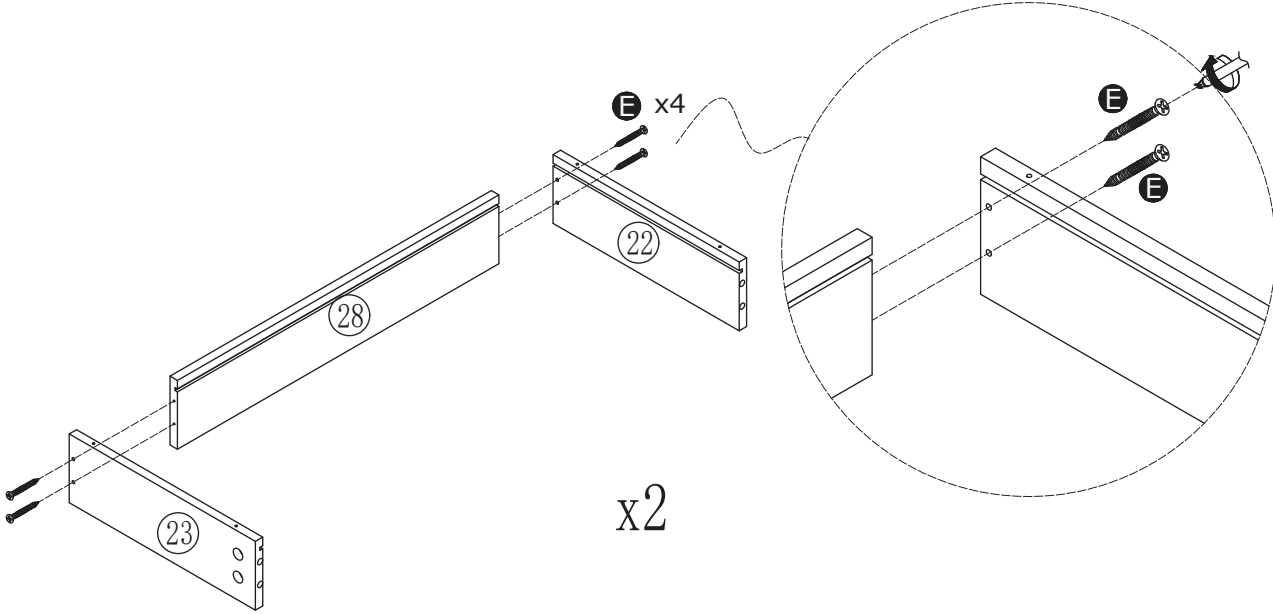


Attach board 1 to board 3,5,6,4 using wooden dowel(C), add cam lock(B) into board 3,5,6,4 and turn clockwise to tighten as shown.

20

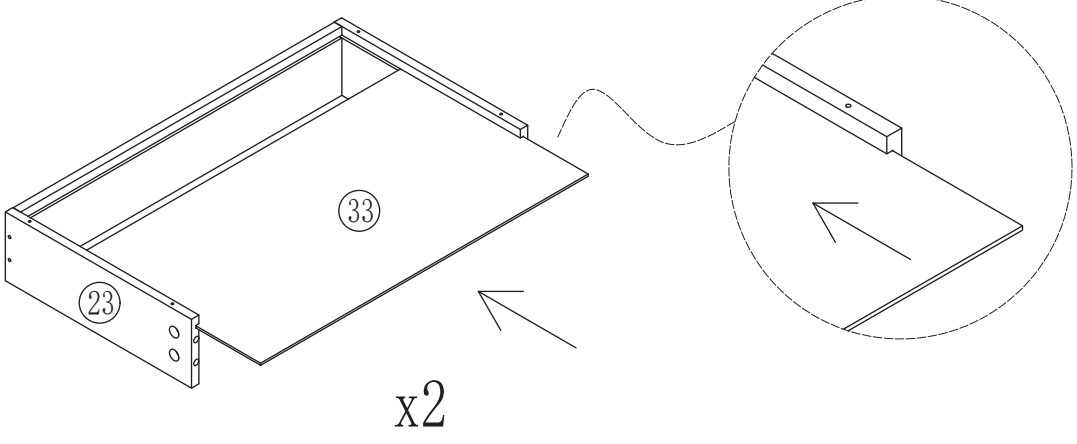


Fix board 22 and 23 to board 28 with screw(E) as shown.

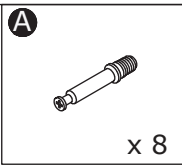


21

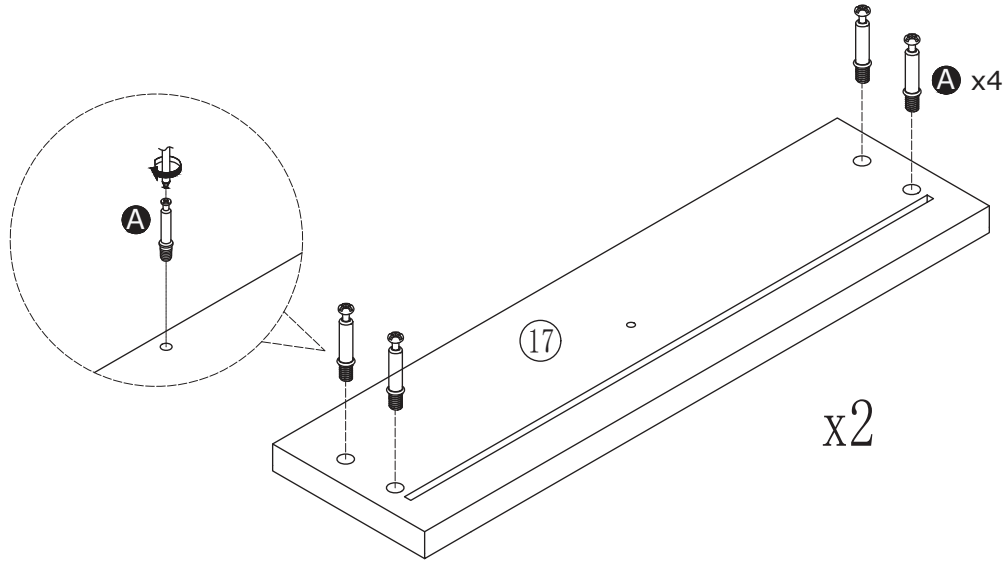
Slide board 33 in to available grooves as shown.



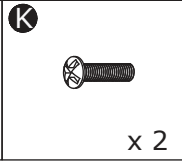
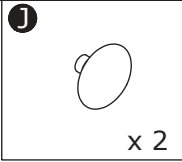
22



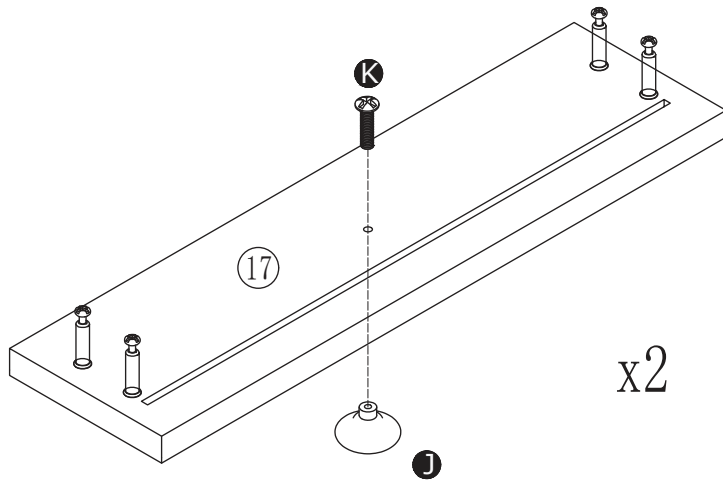
Screw eccentric rod(A) into board 17 as shown.



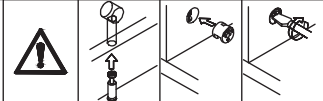
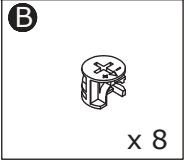
23



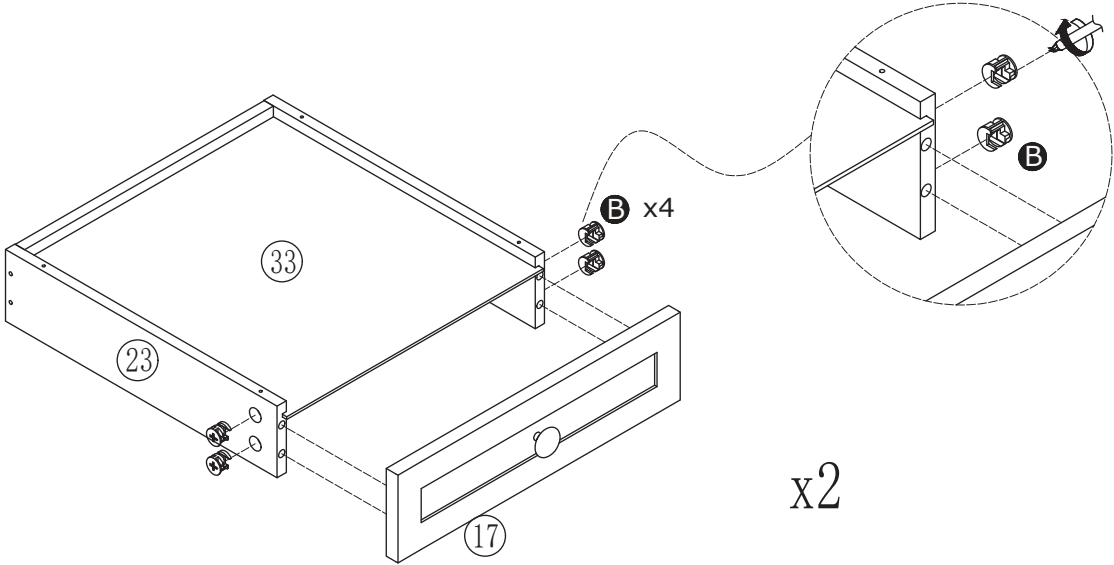
Fix handle(J) to board 17 with screw(K) as shown.



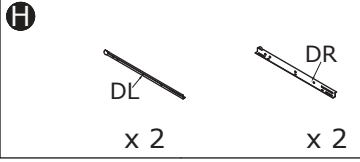
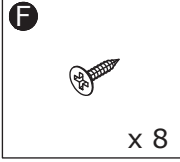
24



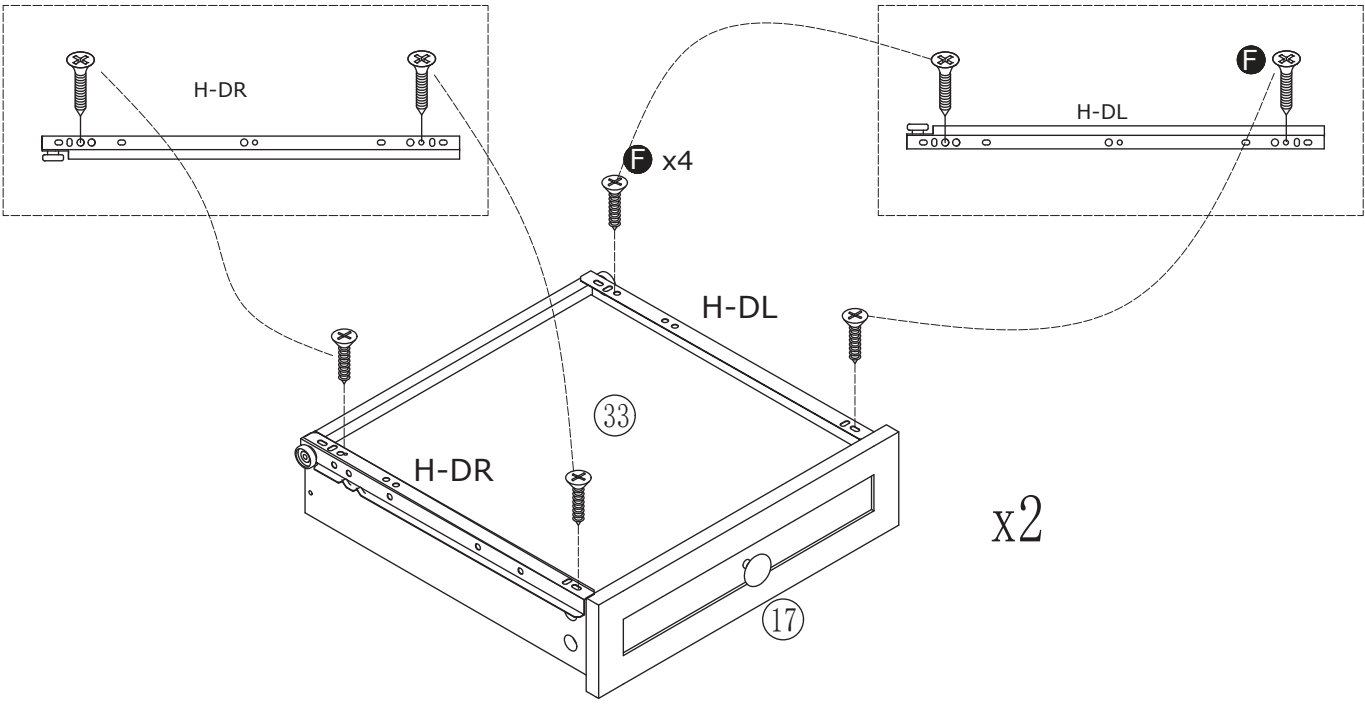
Connect board 17 to board 22 and 23, add cam lock(B) into board 22,23 and turn clockwise to tighten as shown.



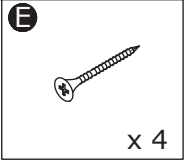
25



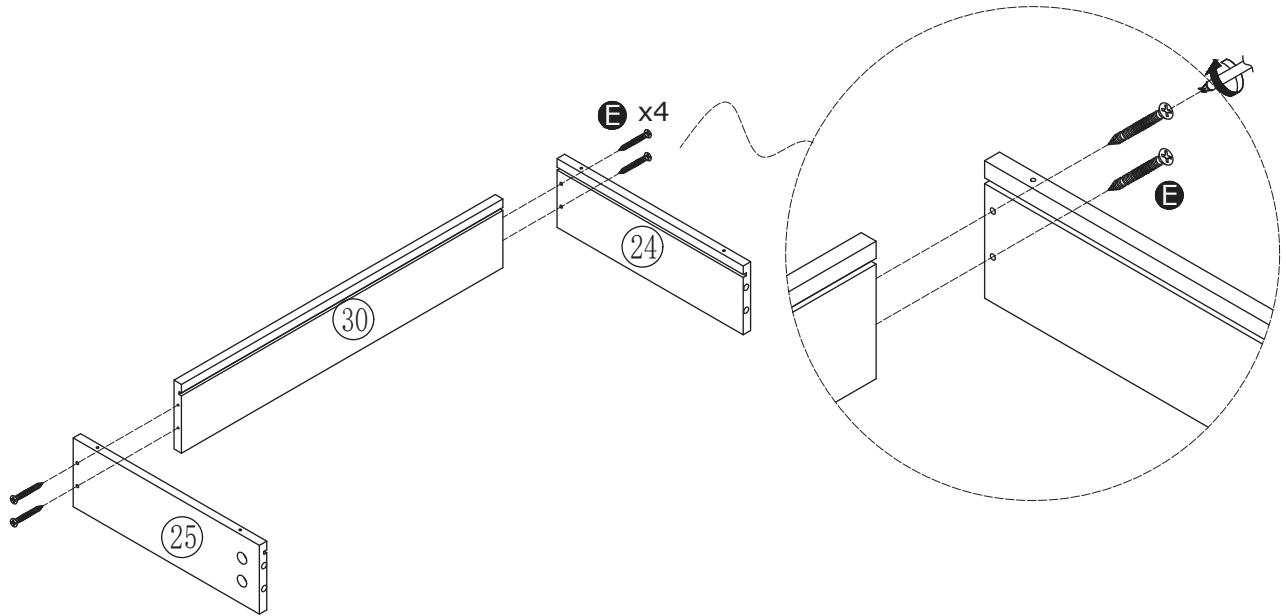
Fix slide rail(H-DL) and (H-DR) to board 22 and 23 respectively with screw(F) as shown.



26

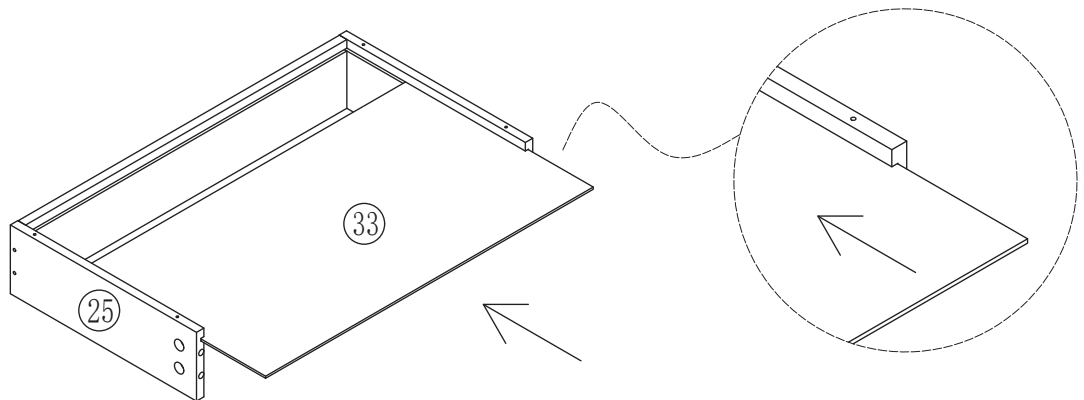


Fix board 24 and 25 to board 30 with screw(E) as shown.

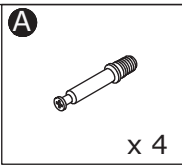


27

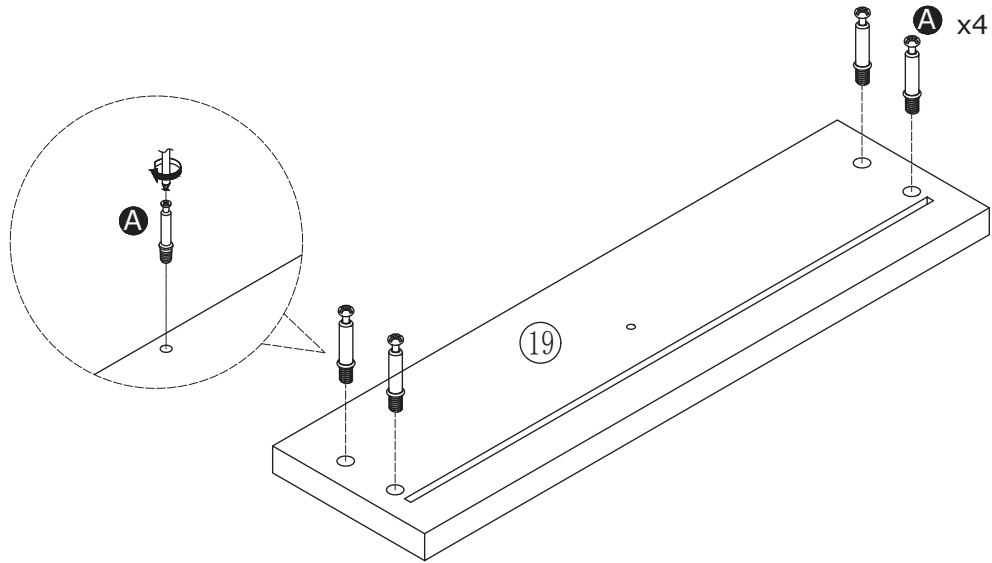
Slide board 33 in to available grooves as shown.



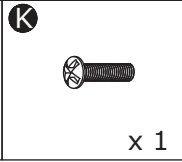
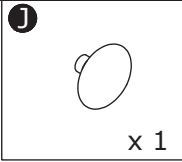
28



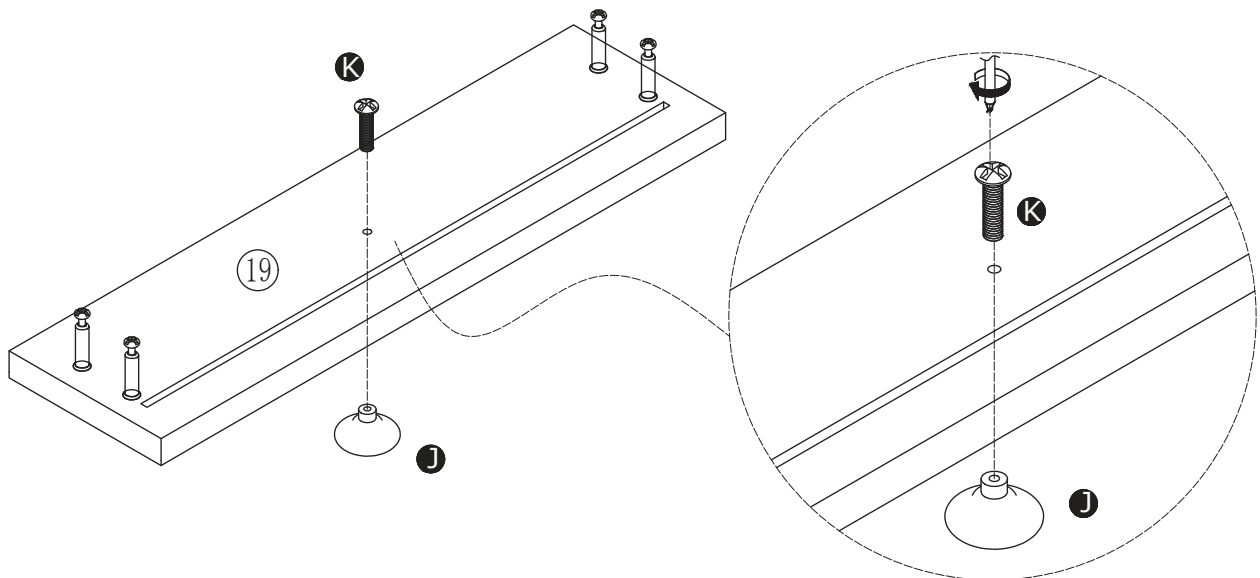
Screw eccentric rod(A) into board 19 as shown.



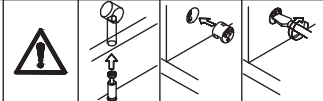
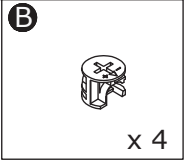
29



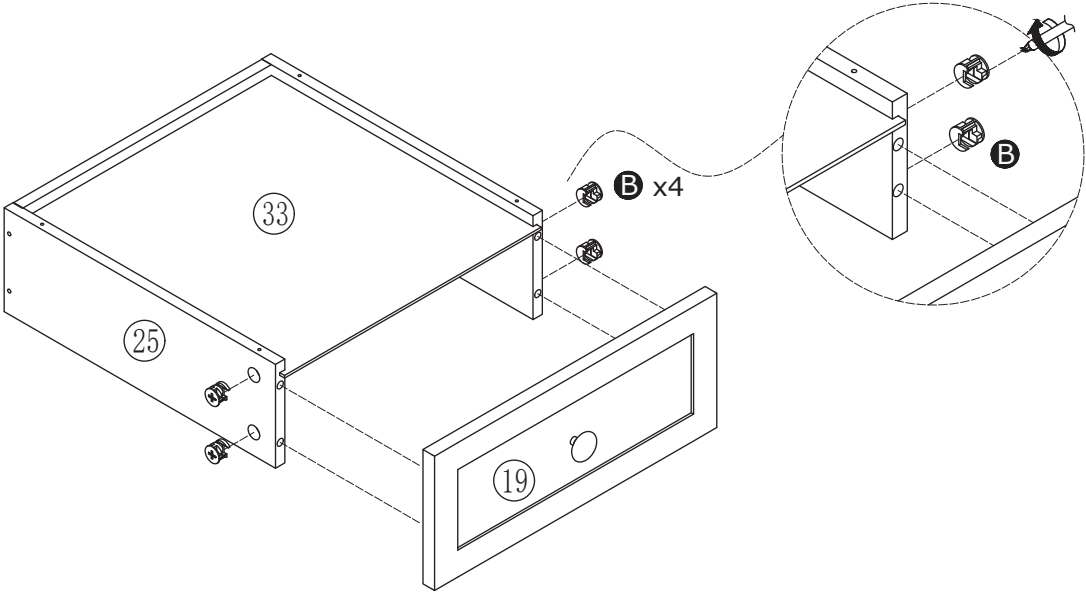
Fix handle(J) to board 19 with screw(K) as shown.



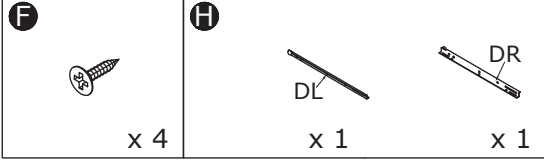
30



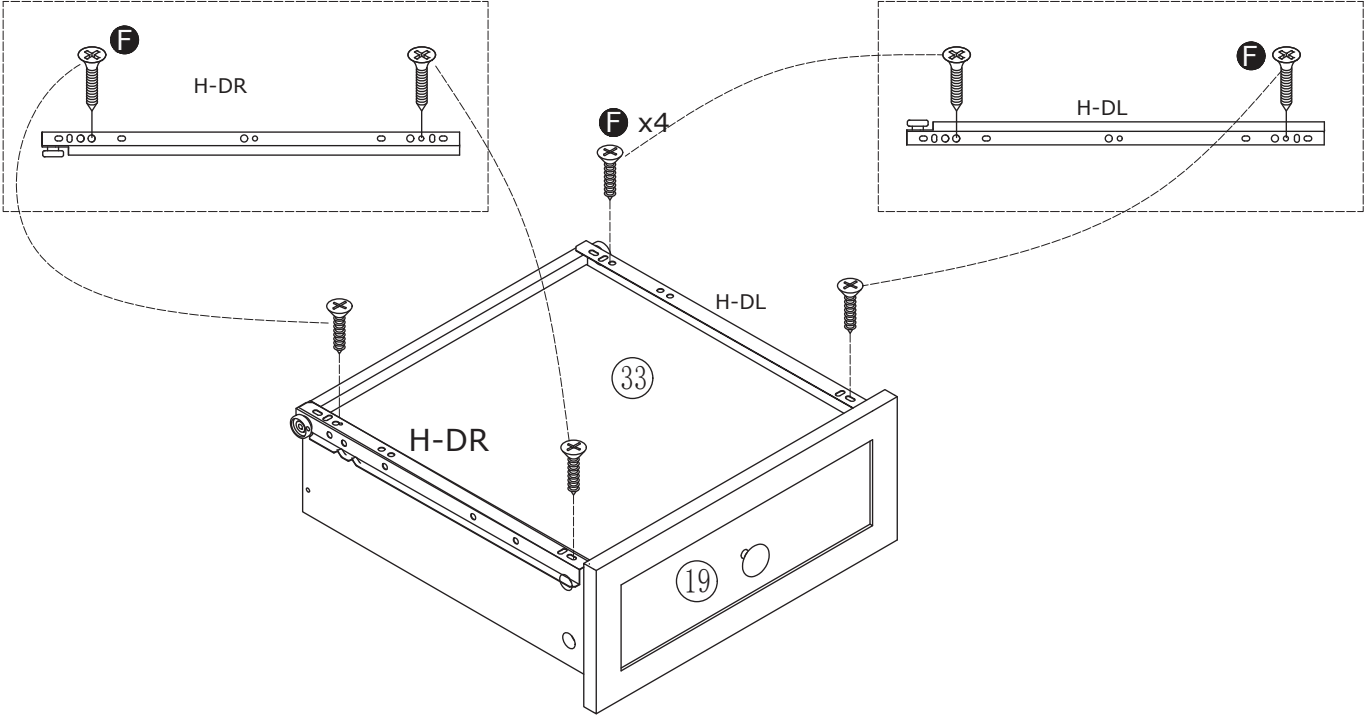
Connect board 19 to board 24 and 25, add cam lock(B) into board 24,25 and turn clockwise to tighten as shown.



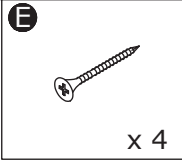
31



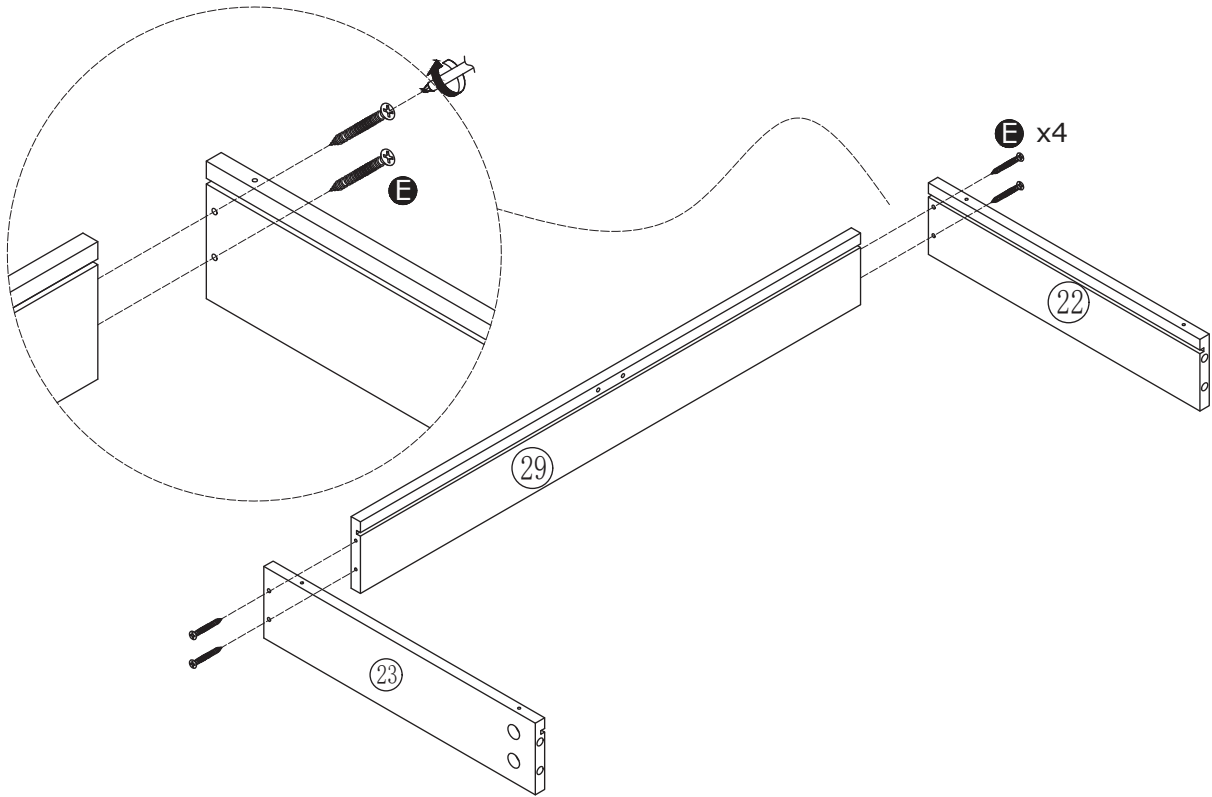
Fix slide rail(H-DL) and (H-DR) to board 24 and 25 respectively with screw(F) as shown.



32

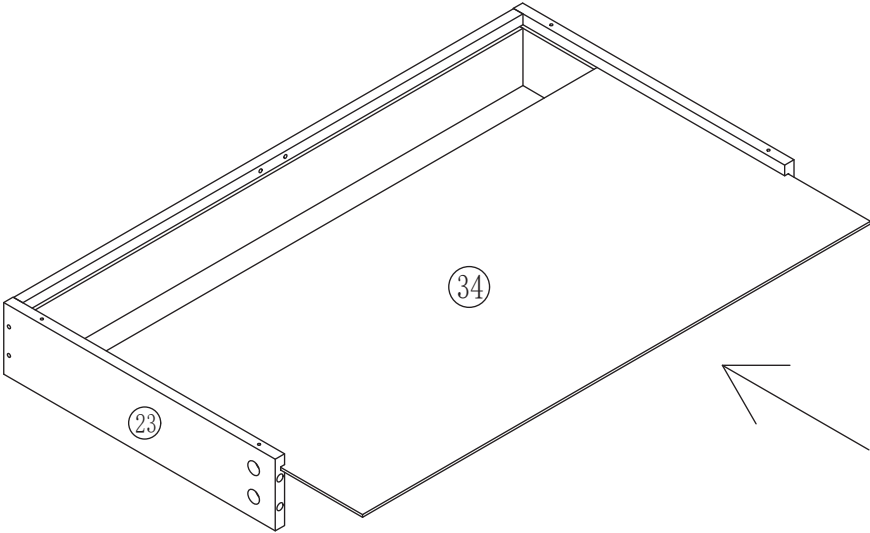


Fix board 22 and 23 to board 29 with screw(E) as shown.



33

Slide board 34 in to available grooves as shown.



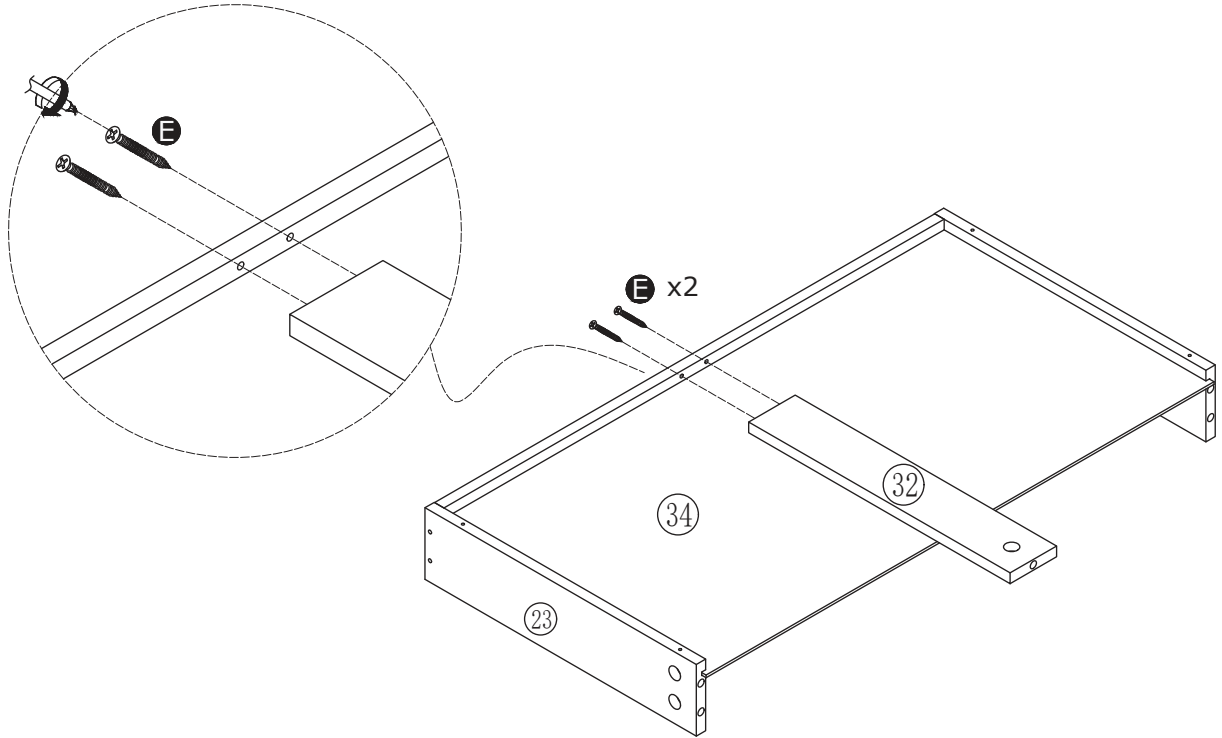
34

E



x 2

Fix board 32 to board 29 with screw(E) as shown.



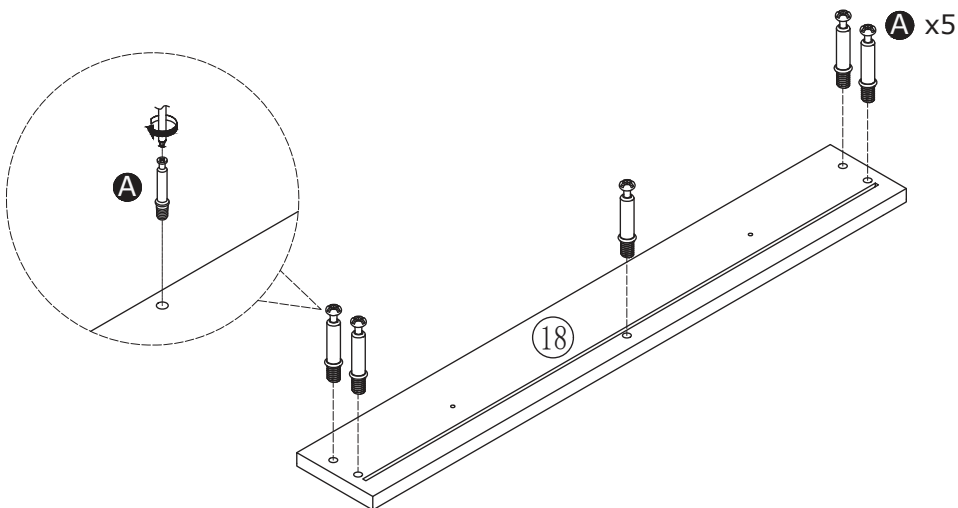
35

A

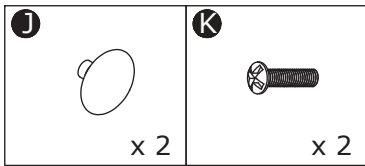


x 5

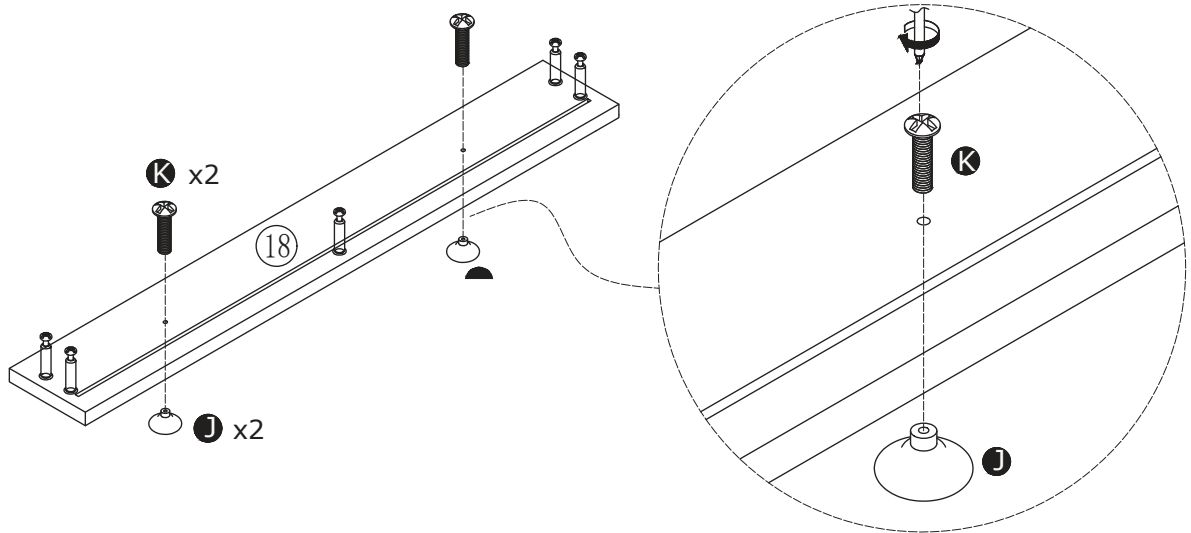
Screw eccentric rod(A) into board 18 as shown.



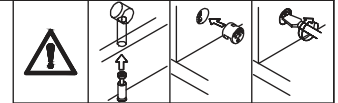
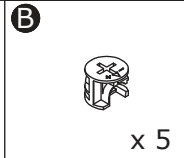
36



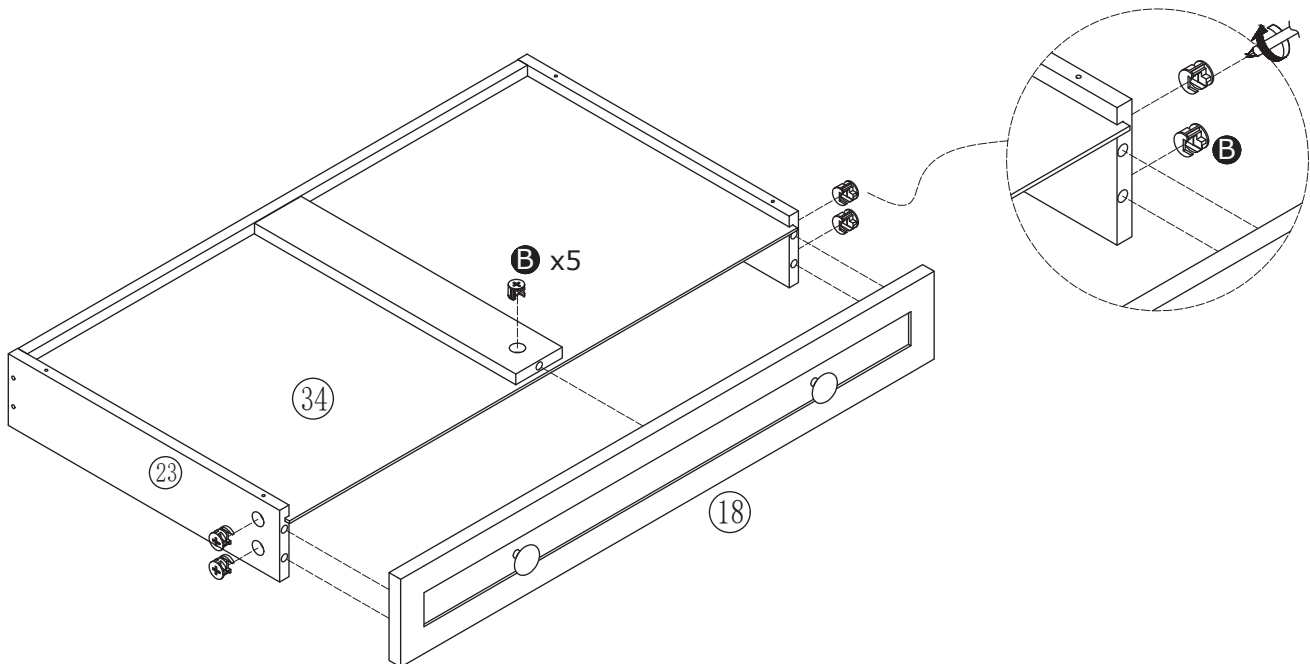
Fix handle(J) to board 18 with screw(K) as shown.



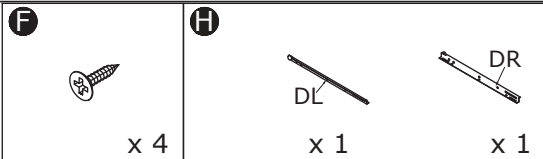
37



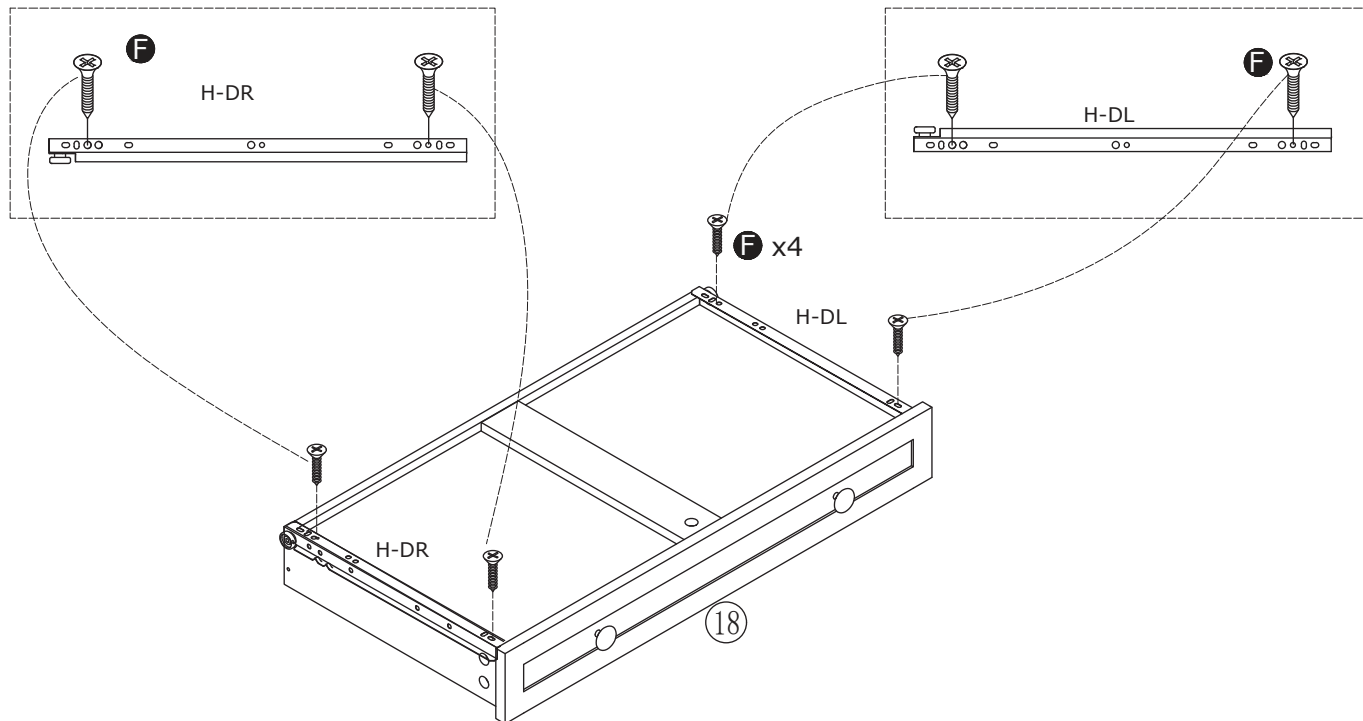
Connect board 18 to board 22,23,32, add cam lock(B) into board 22,23,32 and turn clockwise to tighten as shown.



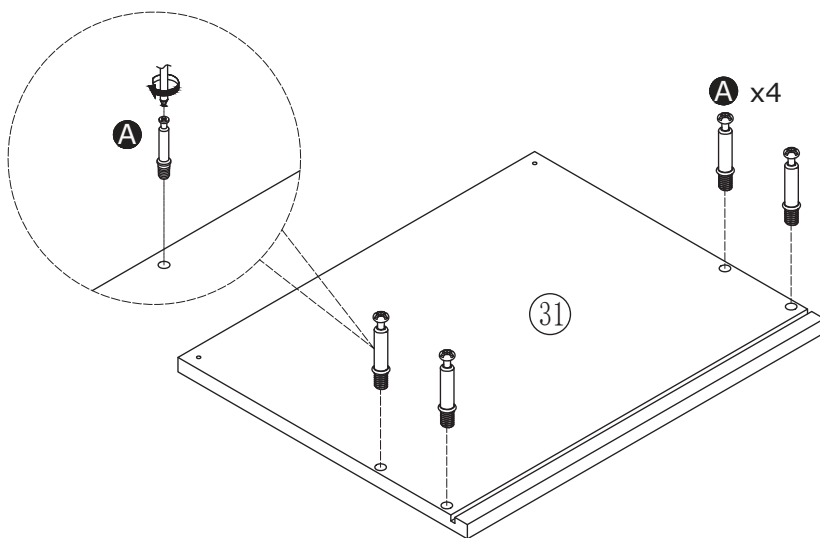
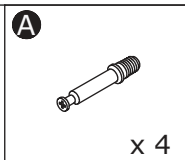
38



Fix slide rail(H-DL) and (H-DR) to board 22 and 23 respectively with screw(F) as shown.

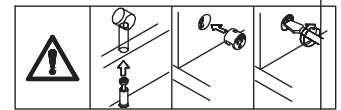
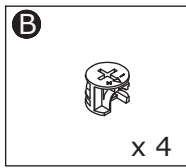


39

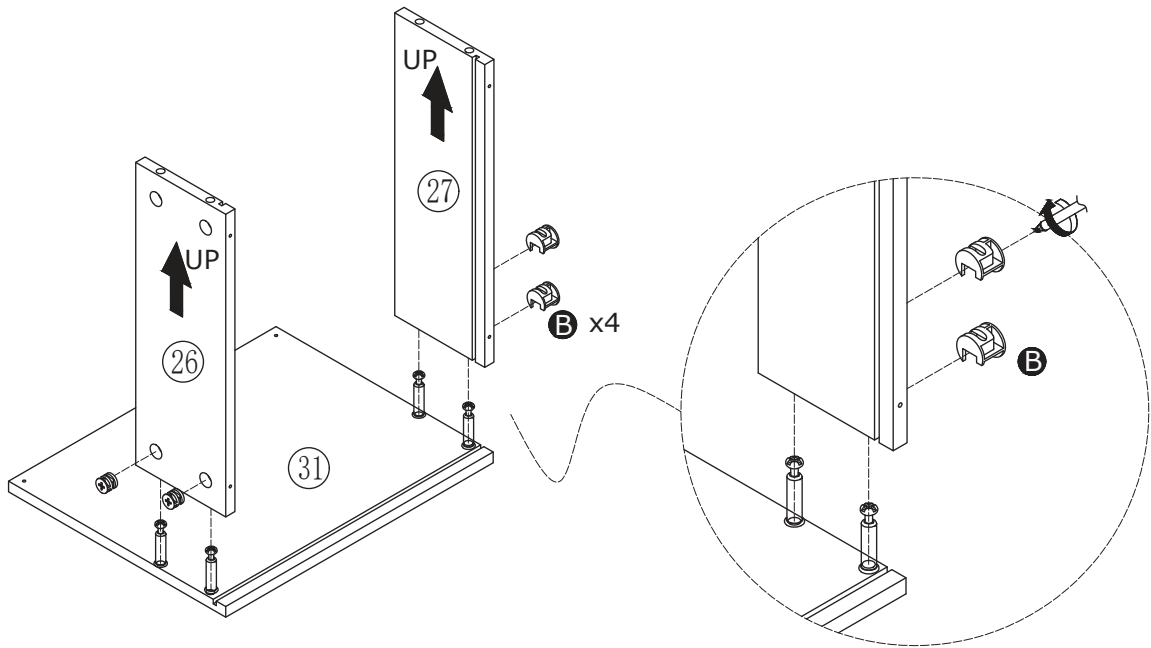


Screw eccentric rod(A) into board 31 as shown.

40

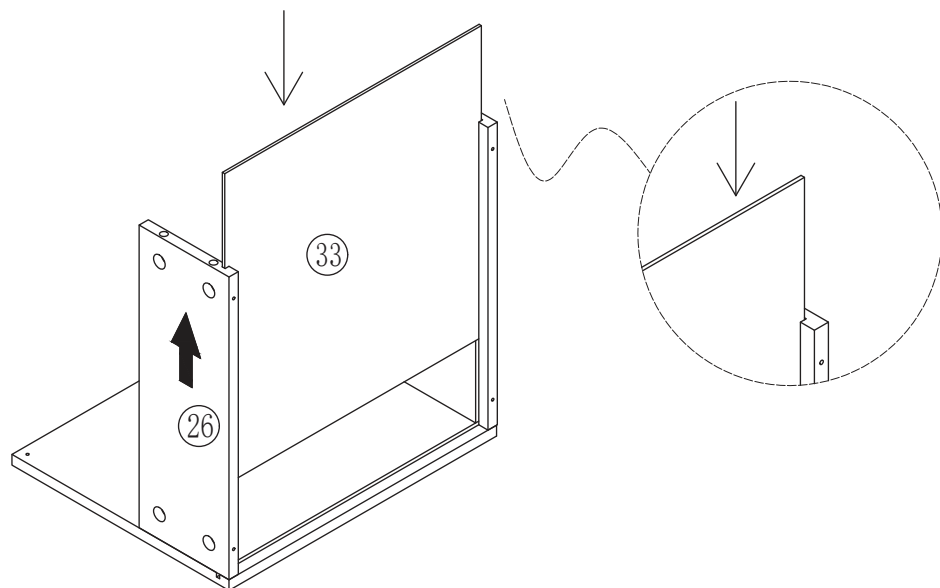


Connect board 26 and 27 to board 31, add cam lock(B) into board 26,27 and turn clockwise to tighten as shown.

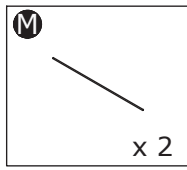


41

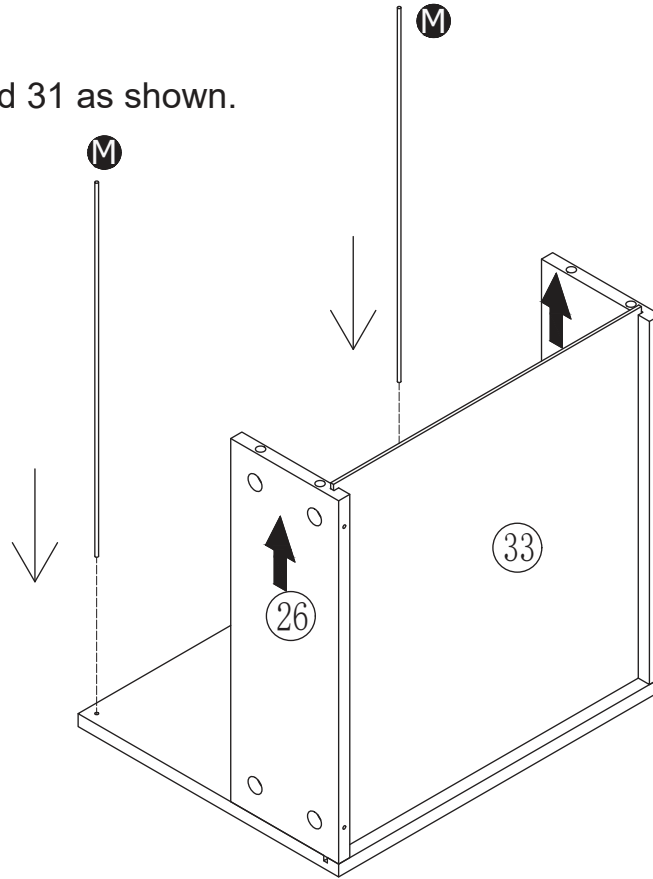
Slide board 33 in to available grooves as shown.



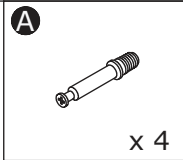
42



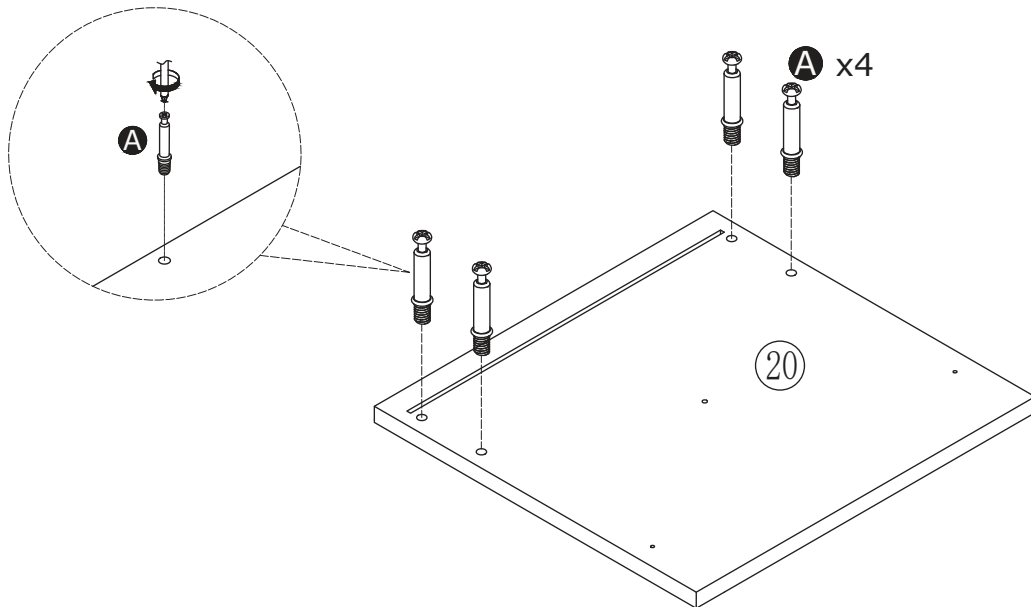
Insert part(M) to board 31 as shown.



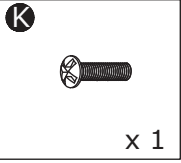
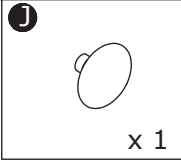
43



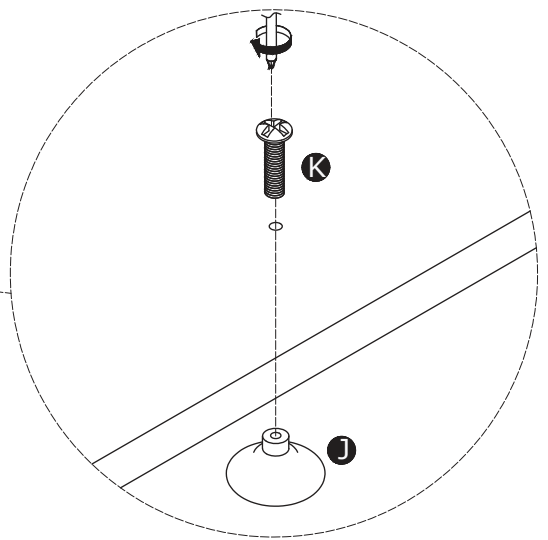
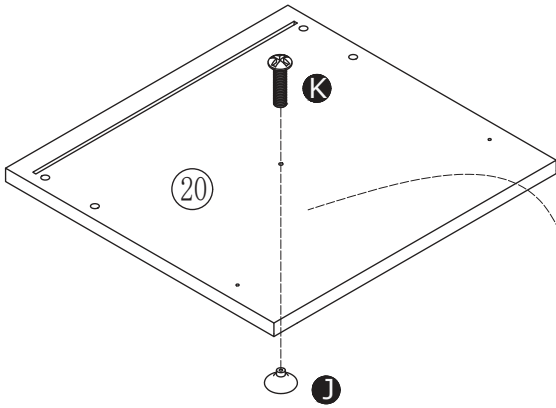
Screw eccentric rod(A) into board 20 as shown.



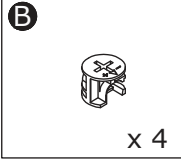
44



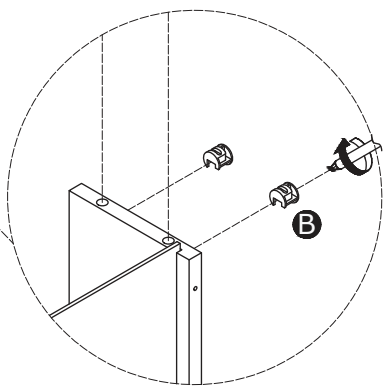
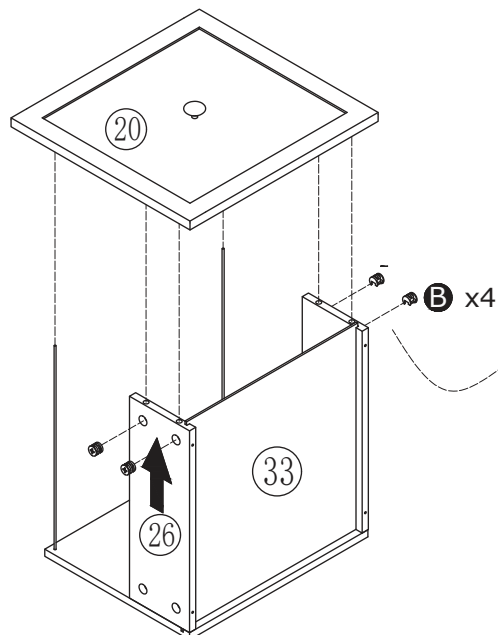
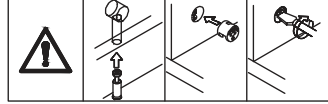
Fix handle(J) to board 20 with screw(K) as shown.



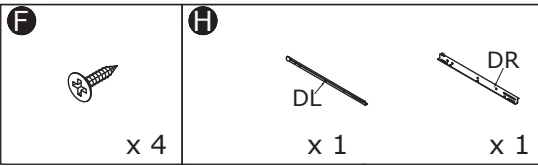
45



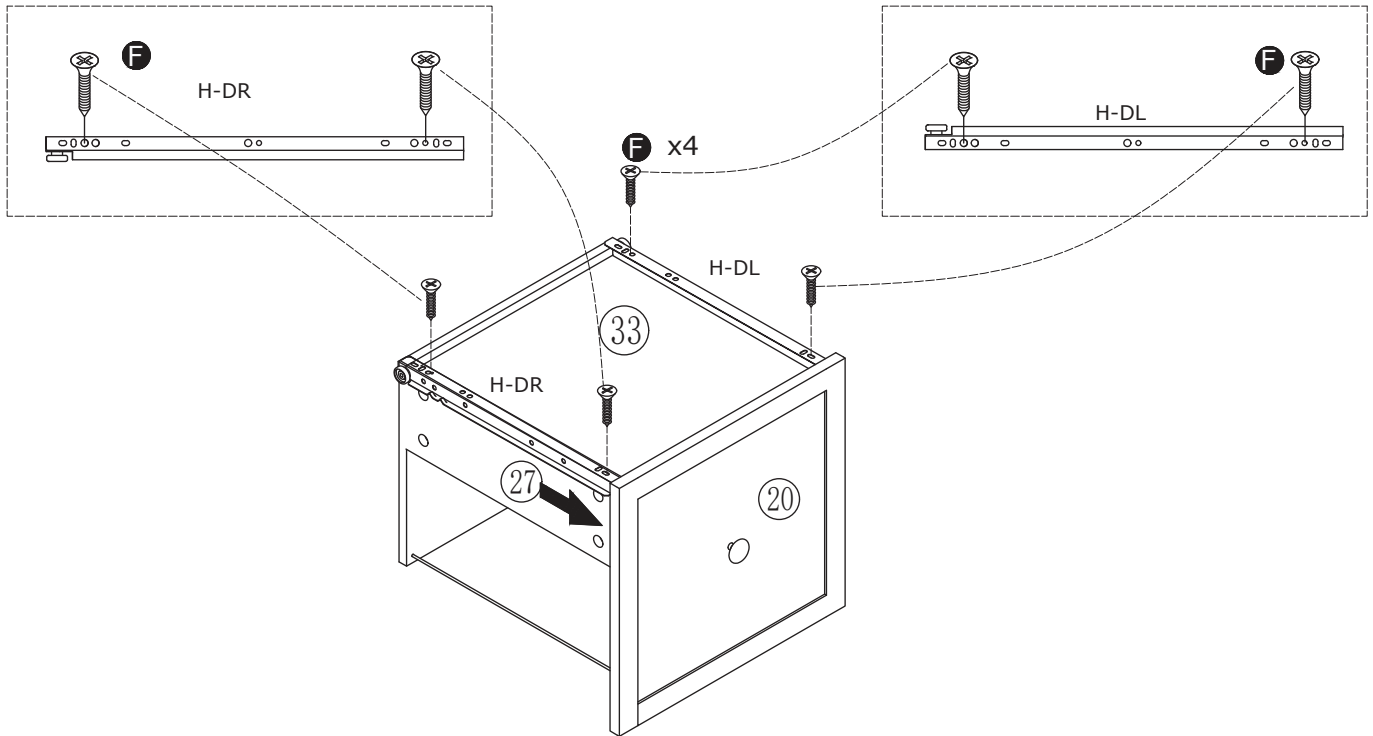
Connect board 20 to board 26,27, add cam lock(B) into board 26,27 and turn clockwise to tighten as shown.



46

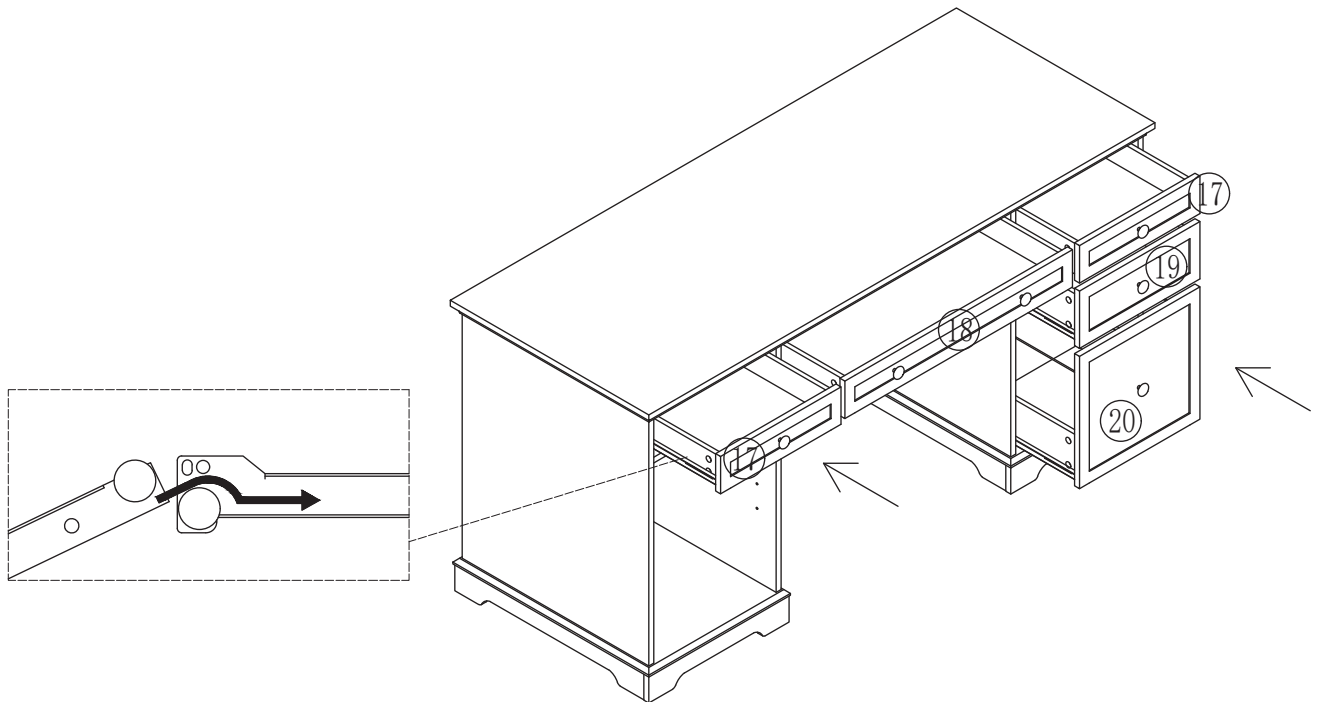


Fix slide rail(H-DL) and (H-DR) to board 26 and 27 respectively with screw(F) as shown.

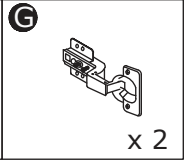
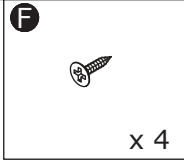


47

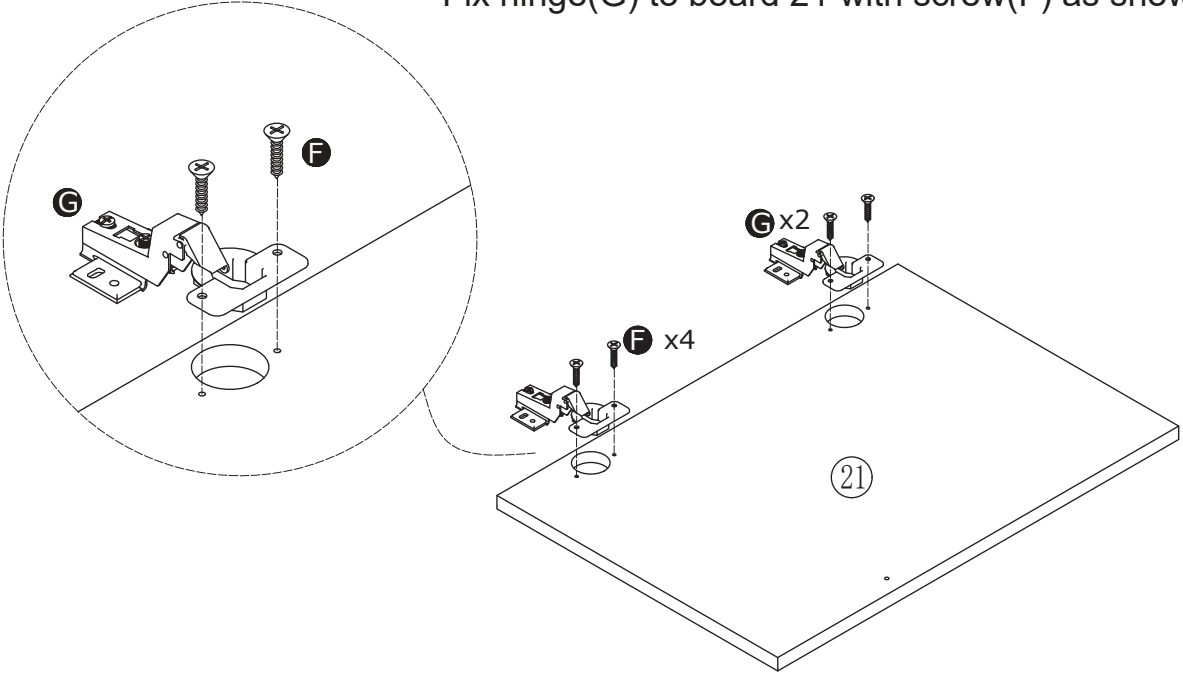
Align rails, slide drawers as shown.



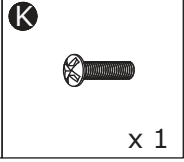
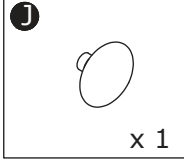
48



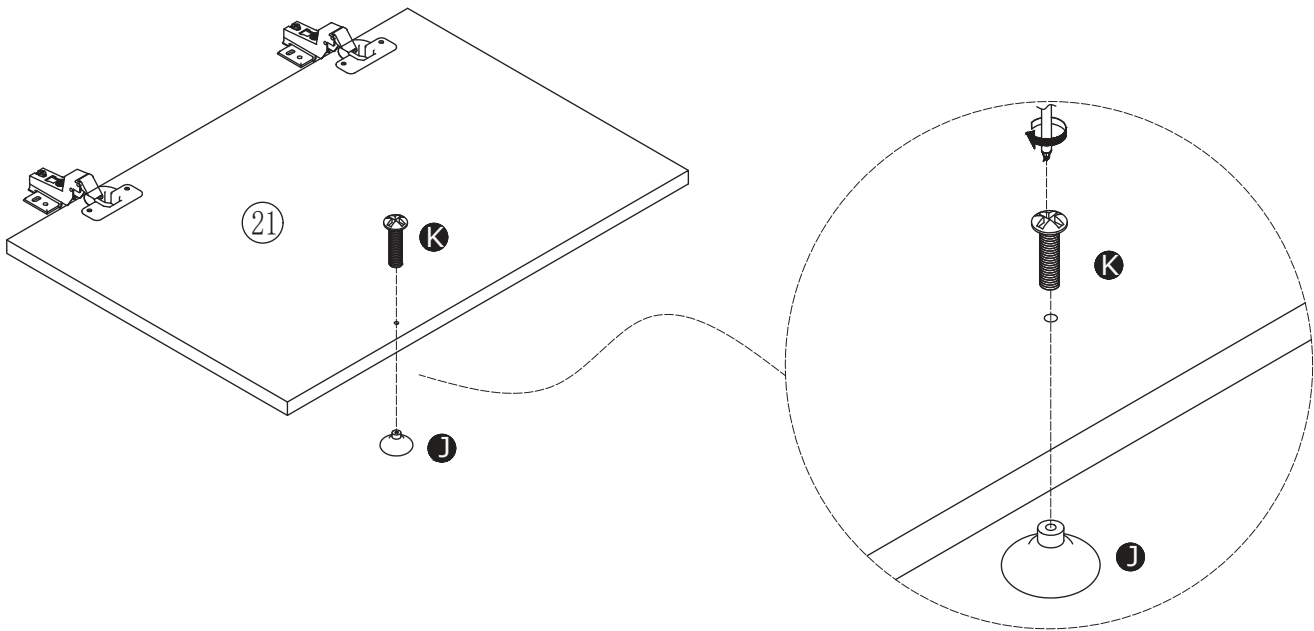
Fix hinge(G) to board 21 with screw(F) as shown.



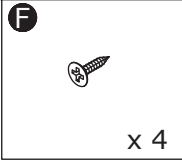
49



Fix handle(J) to board 21 with screw(K) as shown.



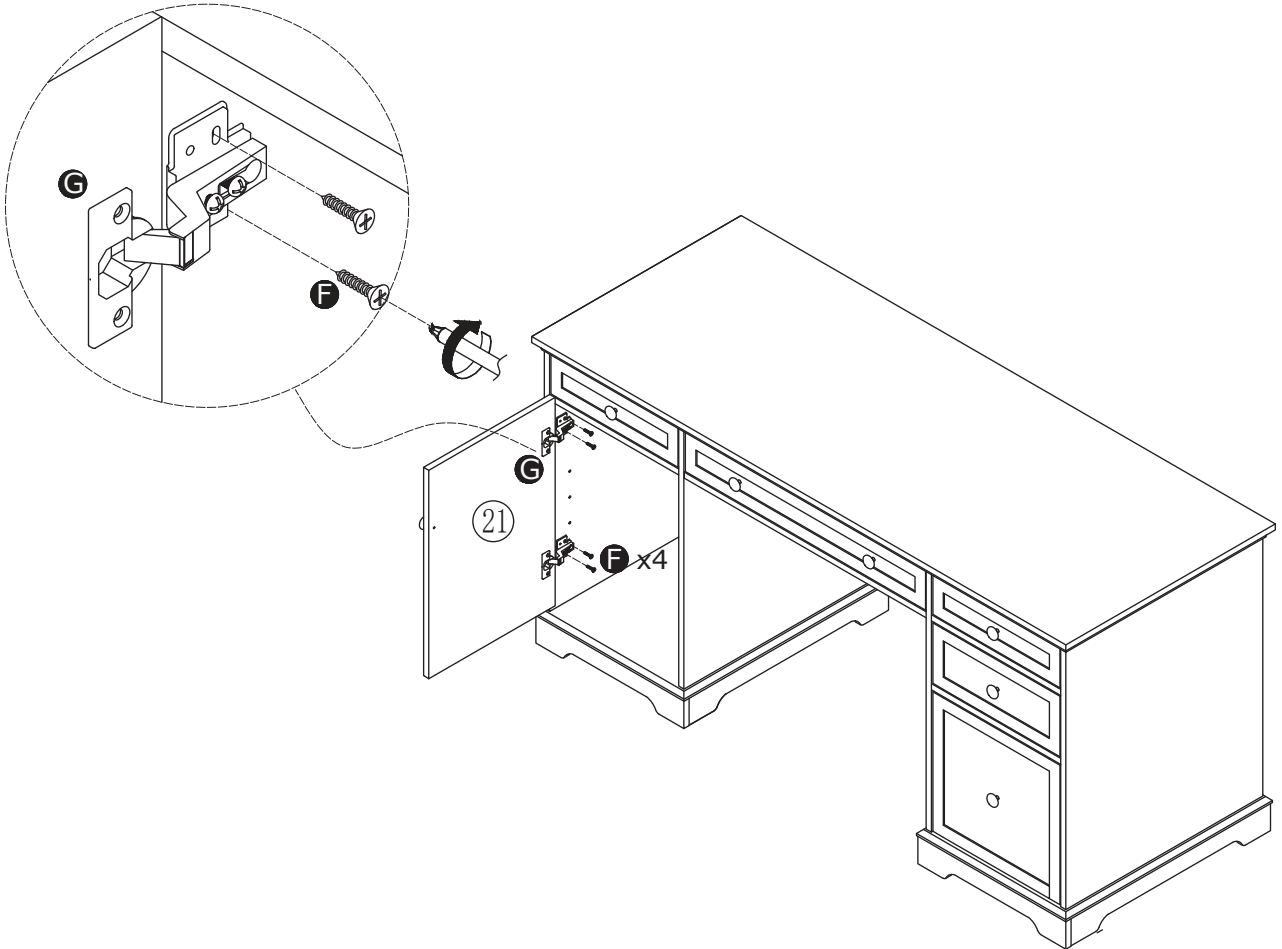
50



As shown in the figure, use screws (F) to secure hinge (G) to part 3 through the long slots. Do not tighten the screws until all of them are properly placed.

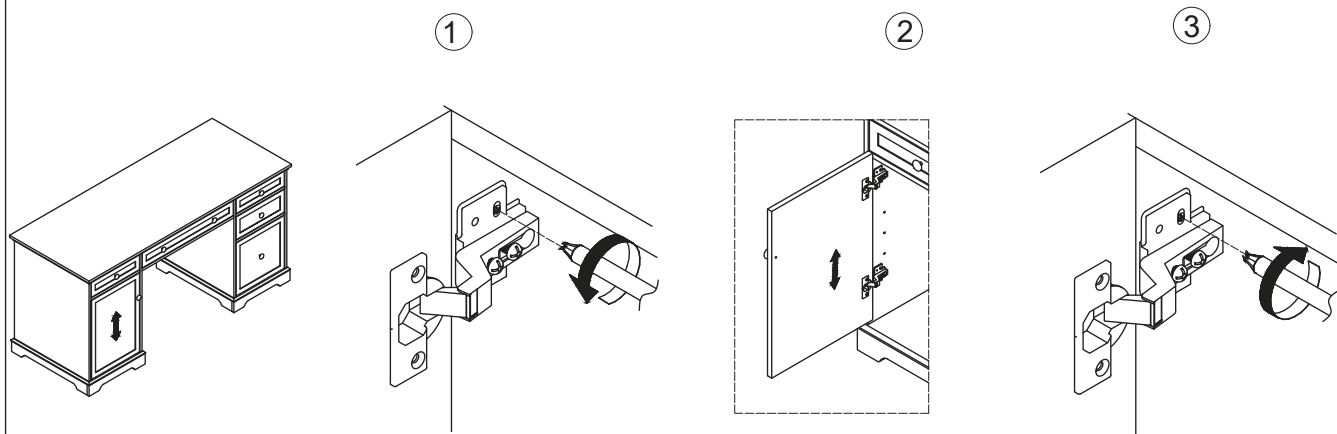


Do not install the screws in the round holes yet; install them after adjusting the cabinet doors properly.

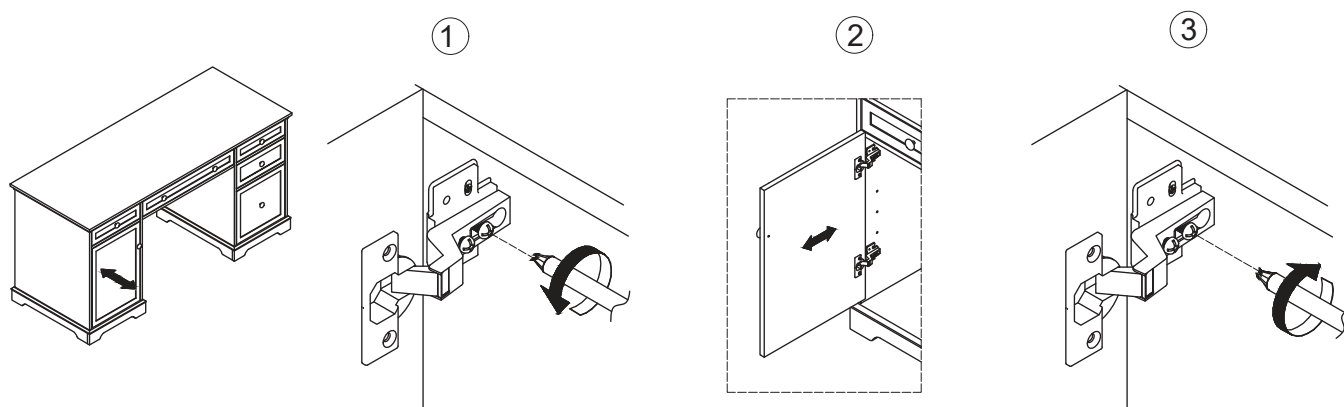


Attach door board 21 to board 3 by fixing hinge with screw(F) as shown.

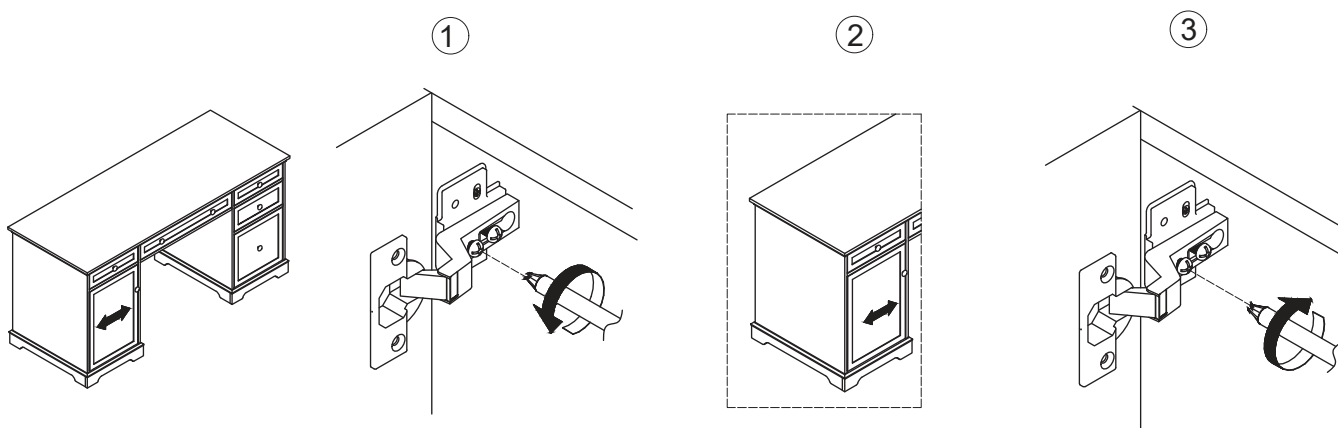
When the clearance of the door is uneven, adjust the cabinet door according to the figure. If you still have trouble adjusting the door, please contact us.



Up and down adjustment by loosening the screw on the mounting plate.

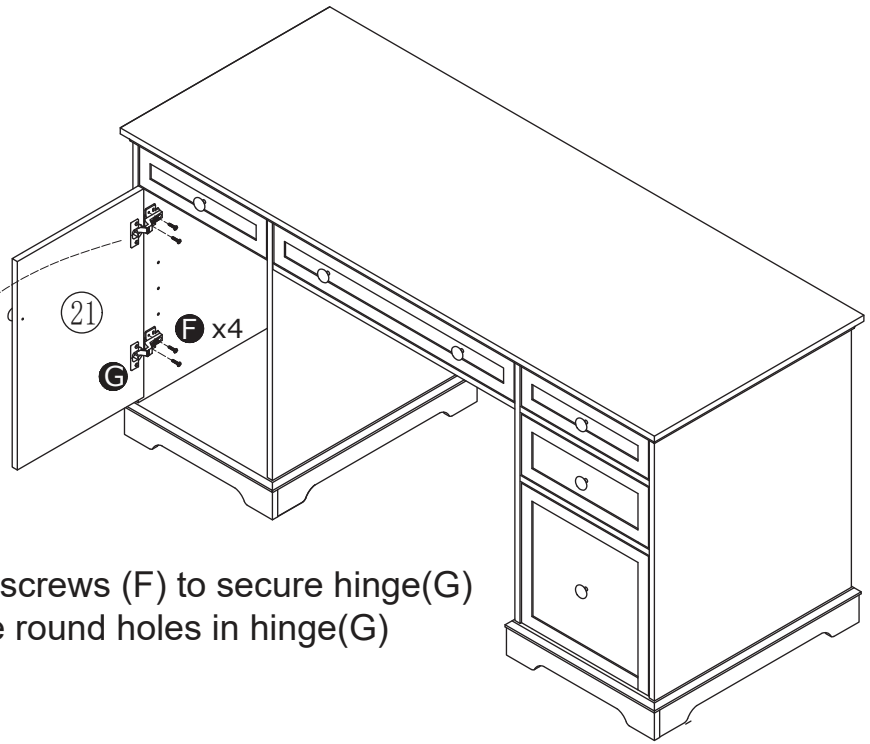
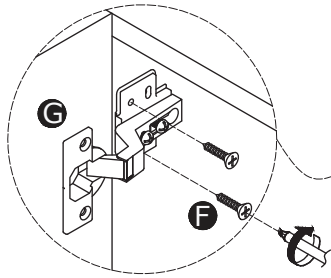
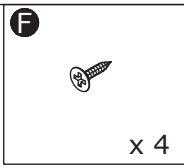


In-and-out adjustment by loosening the screws on the hinge arm.



Side-to-side adjustment using the front adjustment screw on the hinge.

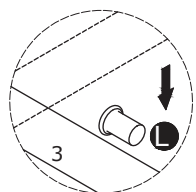
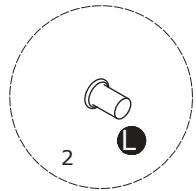
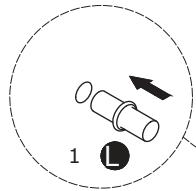
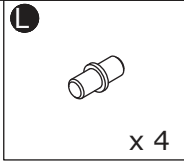
51



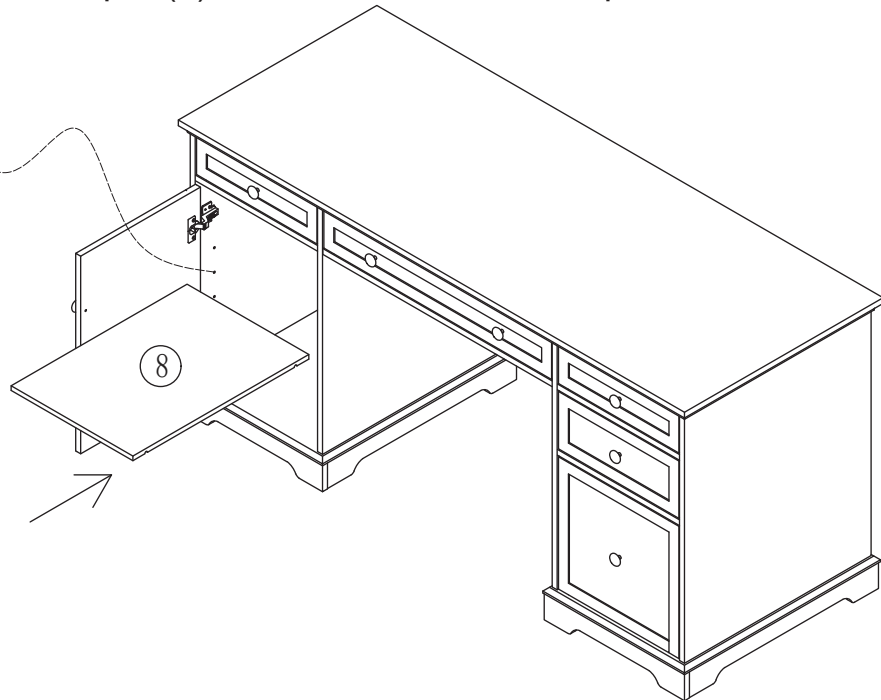
After adjusting, use screws (F) to secure hinge(G) to part 3 through the round holes in hinge(G) for added stability.

Attach door board 21 to board 3 by fixing hinge with screw(F) as shown.

52



Insert part(L) to side of board 3,5 and place board 8 as shown.



WARRANTY

WARRANTY CLAIMS

- There is a 30-day warranty for broken furniture or any other problems that cause improper function. The warranty starts from the date of purchase and requires proof of purchase.
- The product must be used in accordance with the provided instructions.
- For other reasons, if the furniture needs to be returned, it must be cleaned, dried, and operated within 30 days of receipt.

Type of Warranty Claim

- Failure to follow the furniture instructions will invalidate the warranty. Please note, the warranty does not cover damage during installation, but does cover damage incurred during transportation.

Scope of Responsibility

- We are not responsible for misuse, user damage, or loss of parts during the installation of the furniture. Additionally, any damage or scratches incurred after use are not covered by the warranty.

WARRANTY CLAIMS

- The warranty for products purchased in the U.S. covers the following areas:
- Sheet parts: 1 month from the date of purchase.
- Electrical parts: 1 month from the date of purchase.

RETURNS

Changed your mind and need to return your item?

Please follow the instructions below:

- If you have purchased the item and simply changed your mind, please follow the retailer's return instructions.

DEFECTIVE ITEMS

- If your item is defective in any way, meaning it doesn't work but you cannot identify the cause, please first consult our FAQ section as there may be a simple solution to the issue.

DAMAGED ITEMS

- If you receive an order with obvious shipping damage, we suggest refusing the delivery. If the delivery has already been accepted and you later find shipping damage, please follow the specific instructions provided by the retailer.
- In all cases, please keep all packaging materials and paperwork related to the order.
- Please be aware that if you dispose of packaging materials or attempt to return the item without contacting the retailer, you may risk losing your chance to file a claim, and you may not receive credit for the return.