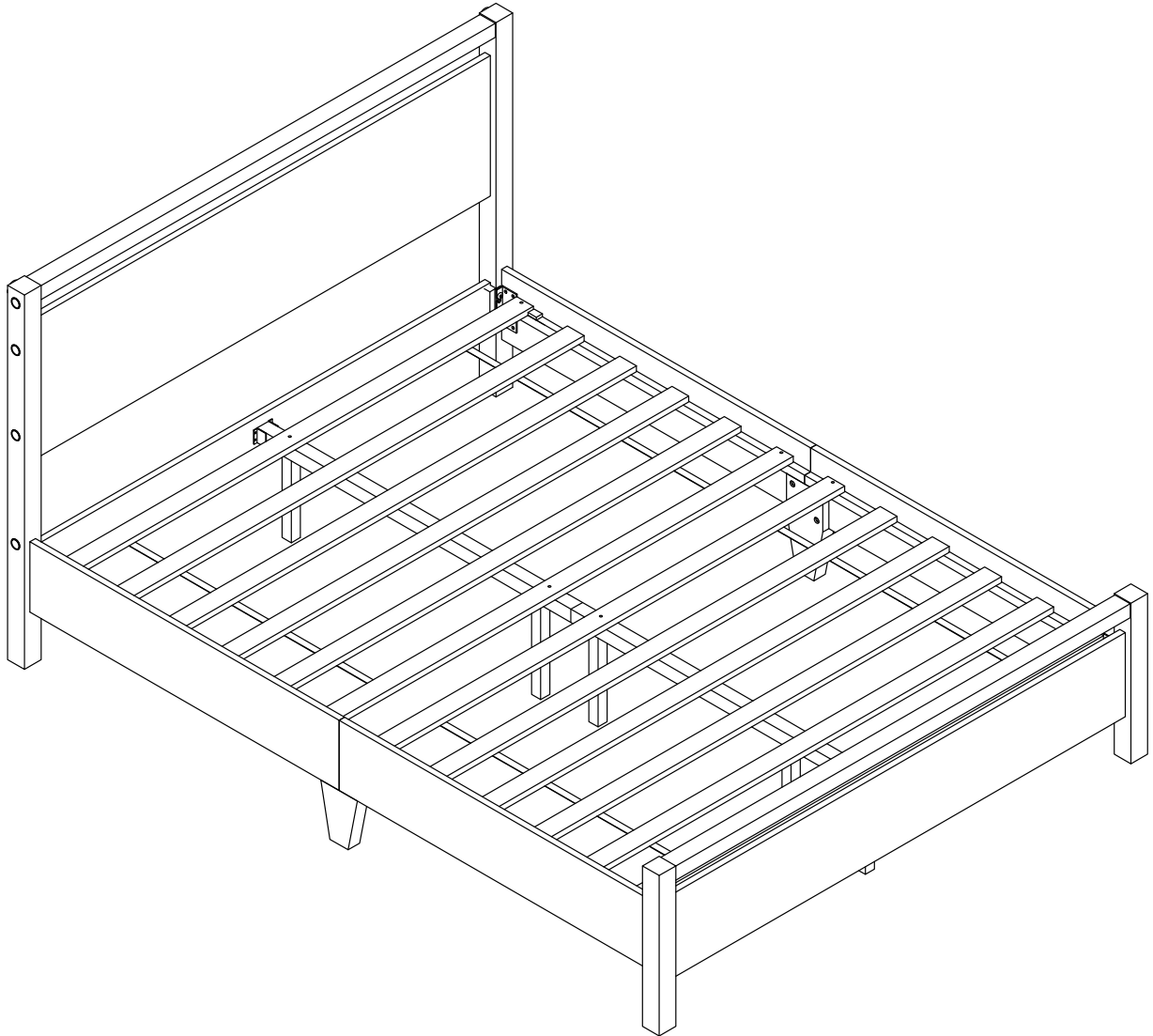


QUEEN BED

Assembly Instructions - Please keep for future reference



Dimensions

Width - 63-1/4inch
Depth - 84-7/16inch
Height - 41-15/16inch

Important – Please read these instructions fully before starting assembly



Safety and Care Advice

Important – Please read these instructions fully before starting assembly

- Check you have all the components and tools listed on the following pages.
- Remove all fittings from the plastic bags and separate them into their groups.
- Keep children and animals away from the work area, small parts could choke if swallowed.
- Make sure you have enough space to layout the parts before starting.

- During assembly do not stand or put weight on the product, this could cause damage.
- Assemble the item as close to its final position (in the same room) as possible.
- Assemble on a soft level surface to avoid damaging the unit or your floor.
- Parts of the assembly will be easier with 2 people.



- To reduce the likelihood of damaging your product please ensure that your power drill is set on a low torque setting.

Care and maintenance

- Only clean using a damp cloth and mild detergent, do not use bleach or abrasive cleaners.
- From time to time check that there are no loose screws on this unit.
- This product should not be discarded with household waste. Take to your local authority waste disposal centre.

Handy Hints

- Assemble all parts and bolts loosely during assembly, only once the product is complete should you fully tighten the bolts
- Regularly check and ensure that all bolts and fittings are tightened properly.

WARNING In order to help prevent overturning – please follow these instructions

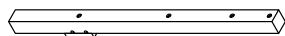
To help prevent product toppling over please follow the below steps:-

Use the anti tip strap or wall fixing method provided (if applicable)
Do not allow children to climb or hang on the furniture
Do not open more than one drawer at a time
Do not place heavy items in the top drawers
Do not place heavy items on top of the furniture, unless the furniture has been designed for this purpose

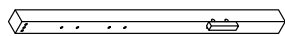
please note that only the anti tip strap is provided.
You will need to provide wall plugs and screws applicable for your wall type

Components - Panels

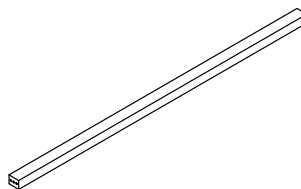
Please check you have all the panels listed below



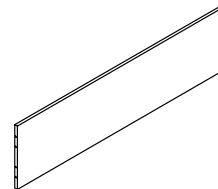
1 (1066*55*75mm x1)



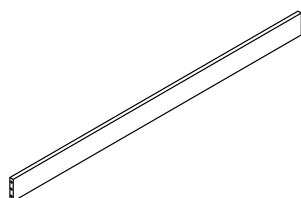
2 (1066*55*75mm x1)



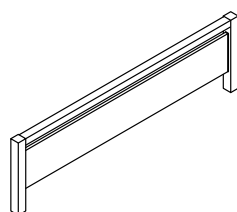
3 (1497*50*40mm x1)



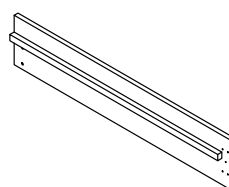
4 (1497*500*18mm x1)



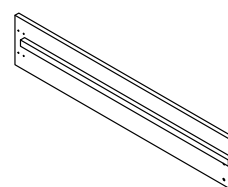
5 (1497*98*18mm x1)



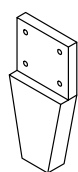
6 (1607*457*55mm x1)



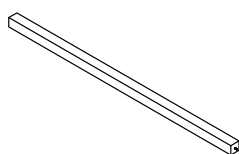
7 (1017*200*38mm x2)



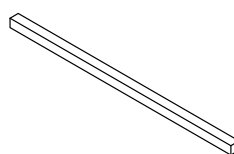
8 (1017*200*38mm x2)



9 (260*120*38mm x2)



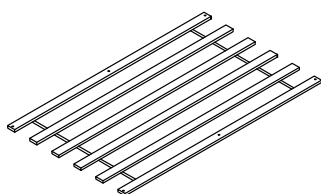
10 (1038*38*38mm x1)



11 (1038*38*38mm x1)



12 (237*30*30mm x4)


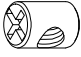





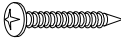
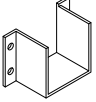



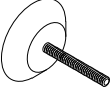

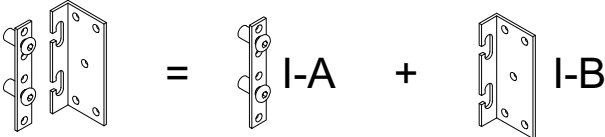


13 (1530*915*18mm x2)

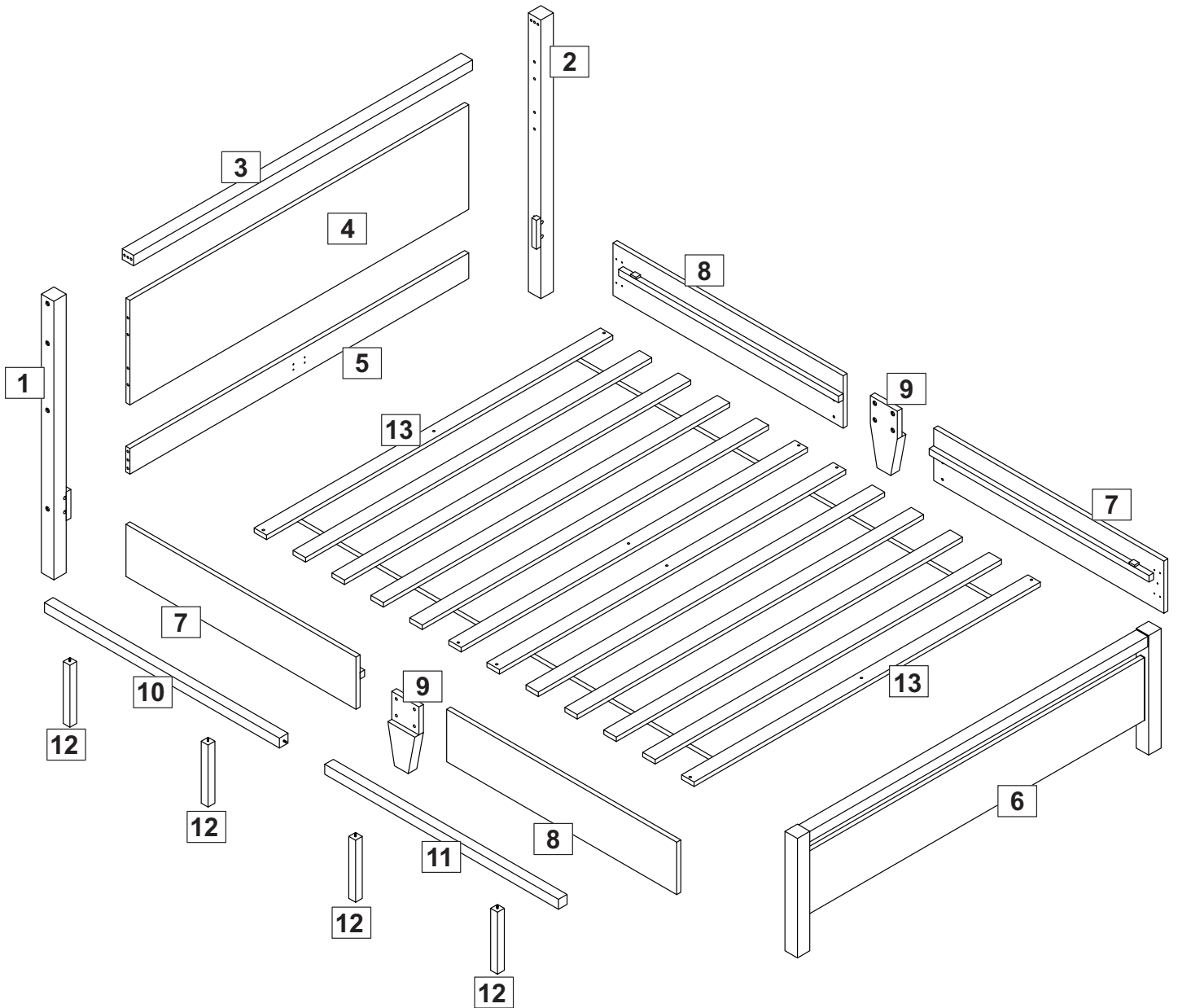
Components - Fittings

Please check you have all the hardware listed below

Note: The quantitie below are the correct amount to complete the assembly. In some cases more fittings may be supplied than are required.

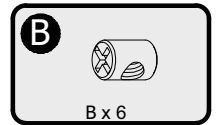
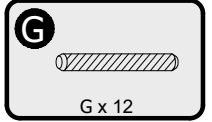
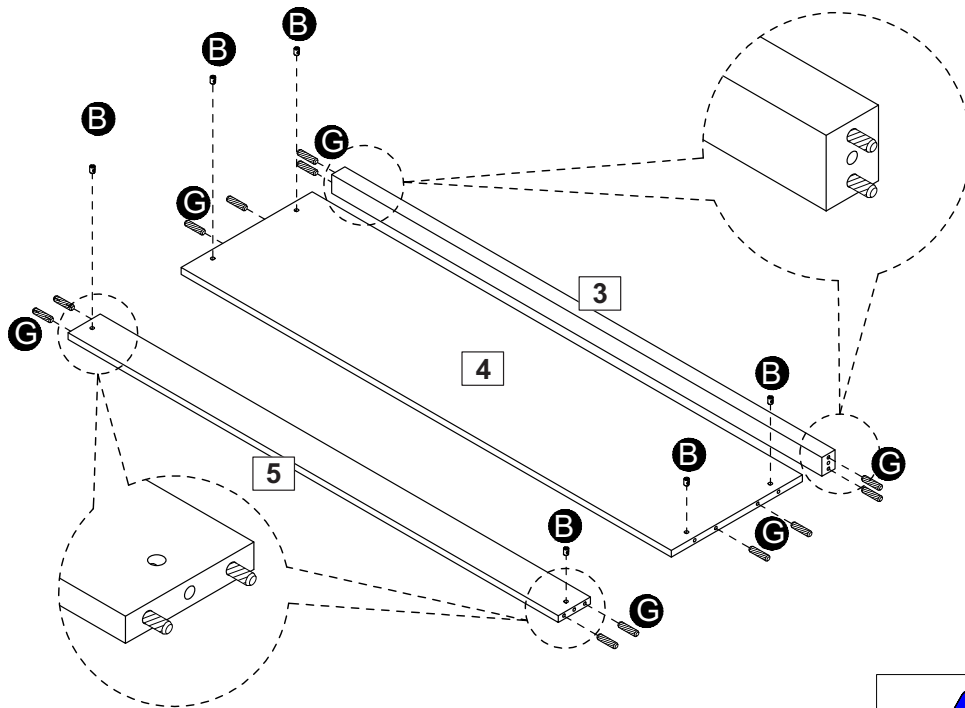
<p>A</p>  <p>ø13x1/4"x90mm Bolts x 8</p>	<p>B</p>  <p>ø10x13mm Cross nut x 6</p>	<p>C</p>  <p>ø13x1/4"x32mm Bolts x 8</p>
<p>D</p>  <p>ø1/4"x16x1mm x 8</p>	<p>E</p>  <p>ø1/4"x10x1.2mm x 8</p>	<p>F</p>  <p>Allen key 4mm x 1</p>
<p>G</p>  <p>ø10x40mm Dowel x 16</p>	<p>H</p>  <p>ø8xø4x32mm Screw x 12</p>	<p>J</p>  <p>U-Metal plate x 2</p>
<p>K</p>  <p>ø8xø4x15mm Screw x 28</p>	<p>L</p>  <p>ø8xø4x25mm Screw x 16</p>	<p>M</p>  <p>Hole sticker x 8</p>
<p>N</p>  <p>Retainer x 2</p>	<p>O</p>  <p>Allen key 5mm x 1</p>	
<p>I</p>  <p>Hook x 4</p>		

Assembly Instructions

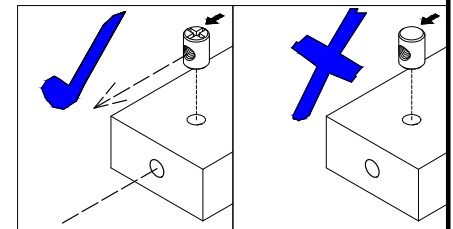


Assembly Instructions

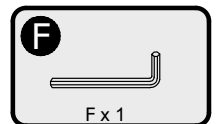
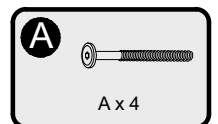
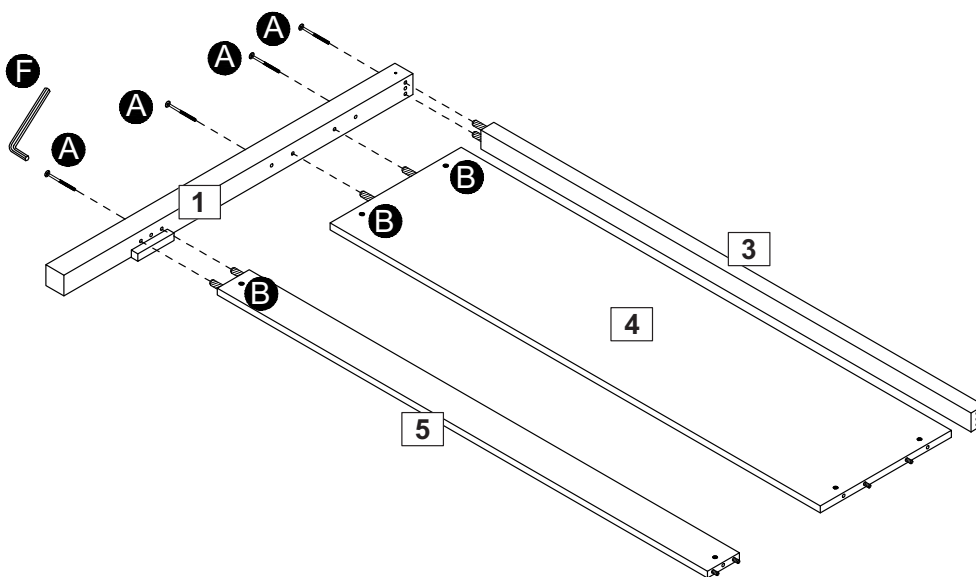
Step 1



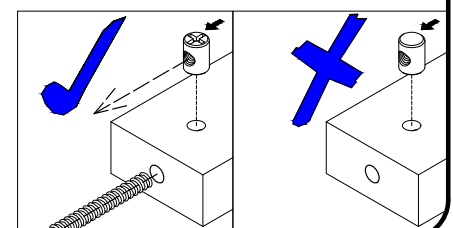
Insert Cross nut (B) into Part (4,5),
Insert wooden dowel (G) into Part (3,4,5),



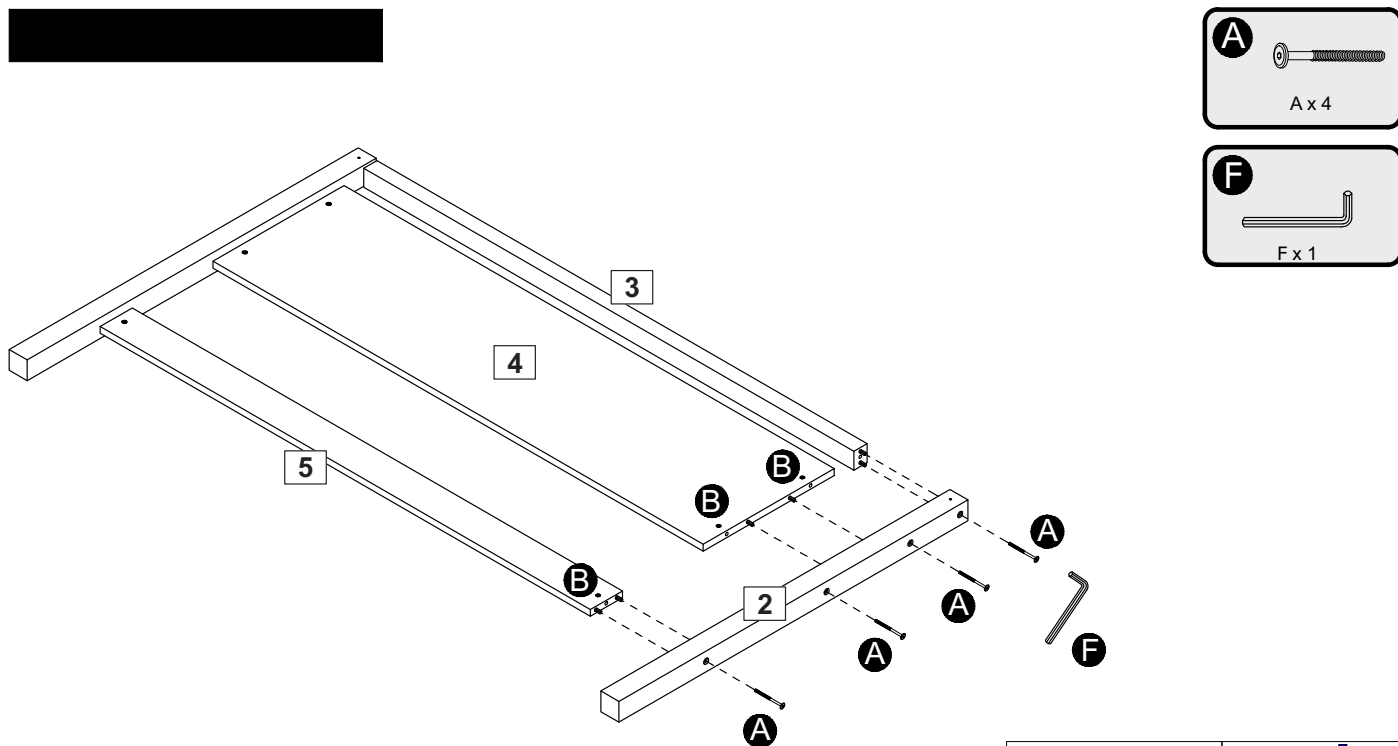
Step 2



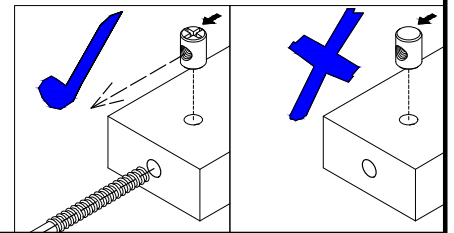
Attach Part (1) to Part (3,4,5), adjust the hole of Cross nut (B)
with a screwdriver, align the Bolt (A) and Cross nut (B),
tighten them by Allen key (F).



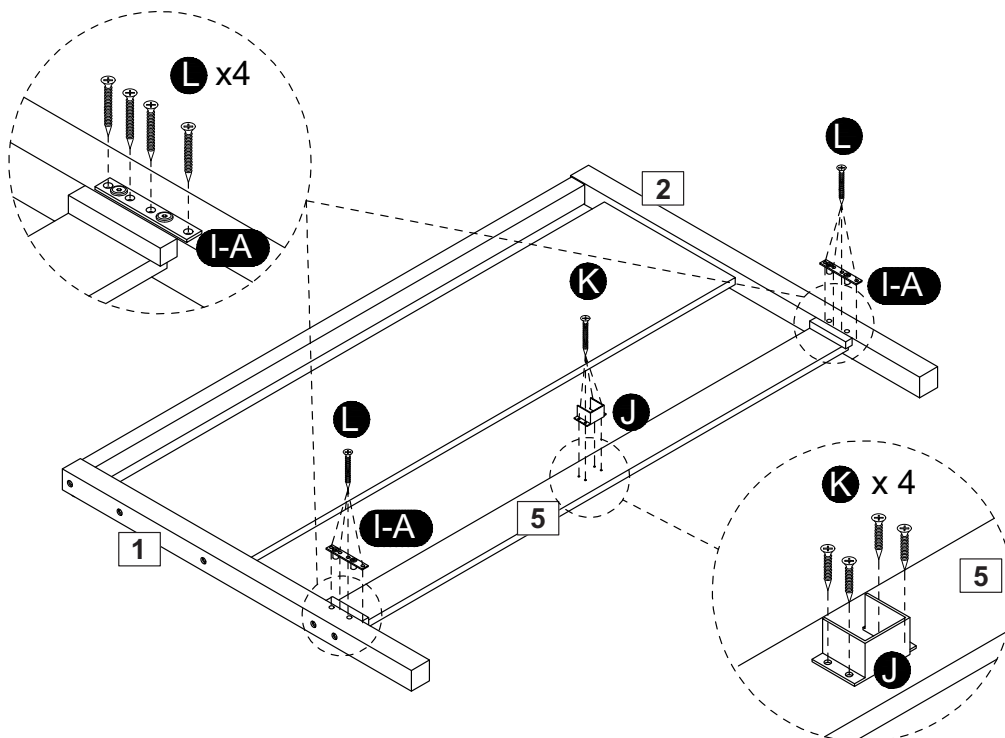
Assembly Instructions



Attach Part (2) to Part (3,4,5), adjust the hole of Cross nut (B) with a screwdriver, align the Bolt (A) and Cross nut (B), tighten them by Allen key (F).

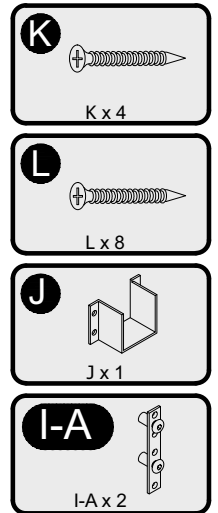
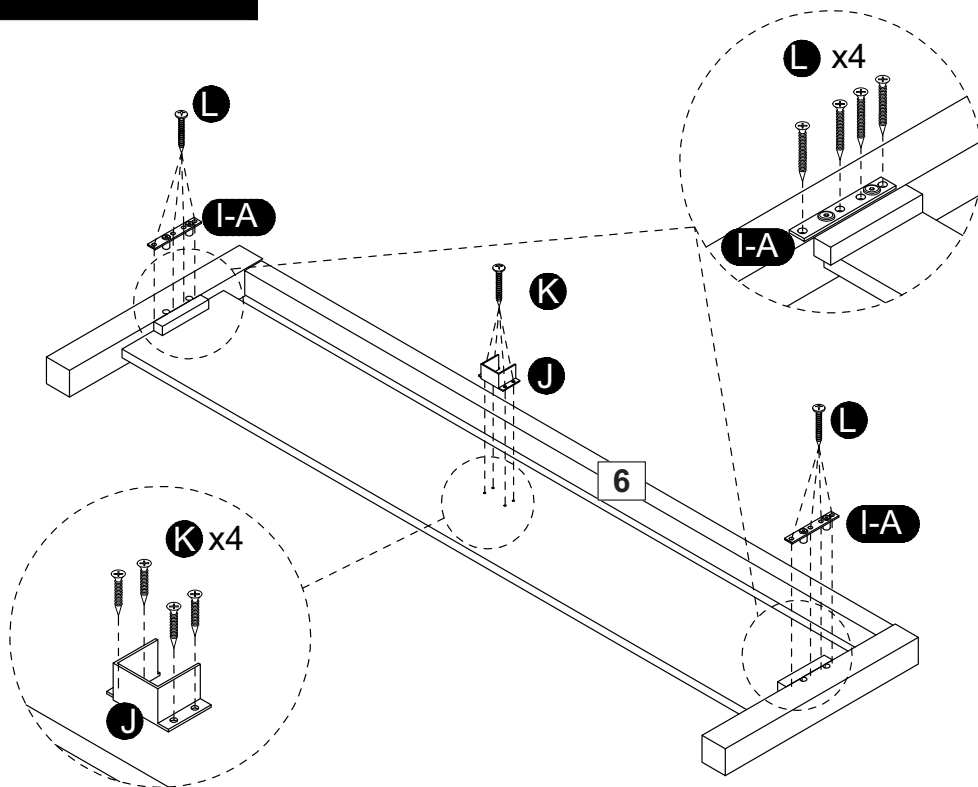


Step 4



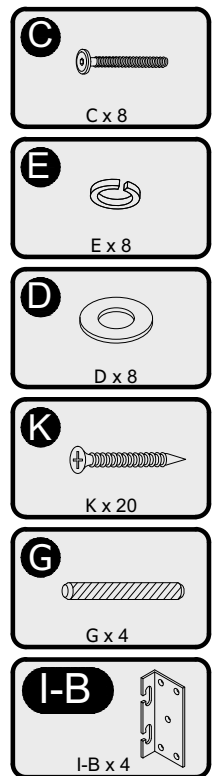
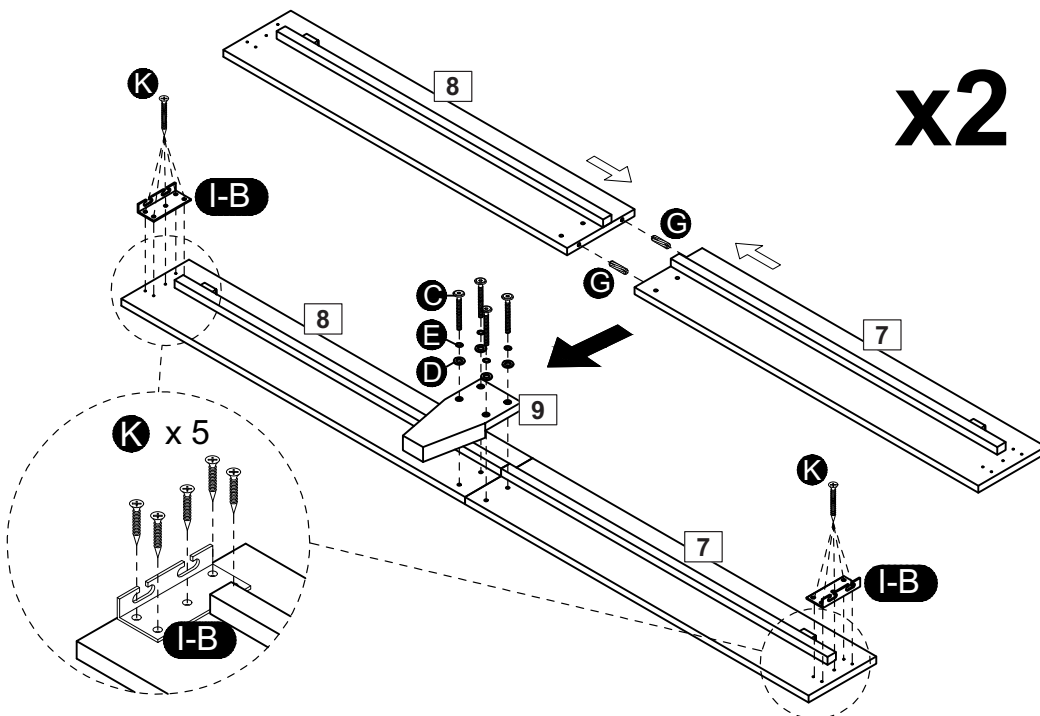
Insert Part (I-A) into Part (1,2), using Screw (L) with a screwdriver.
Attach Part (J) to Pre-hole of Part (5), using Screw (K) with a screwdriver.

Assembly Instructions



Insert Part (I-A) into Part (6), using Screw (L) with a screwdriver.
Attach Part (J) to Pro-hole of Part (6), using Screw (K) with a screwdriver.

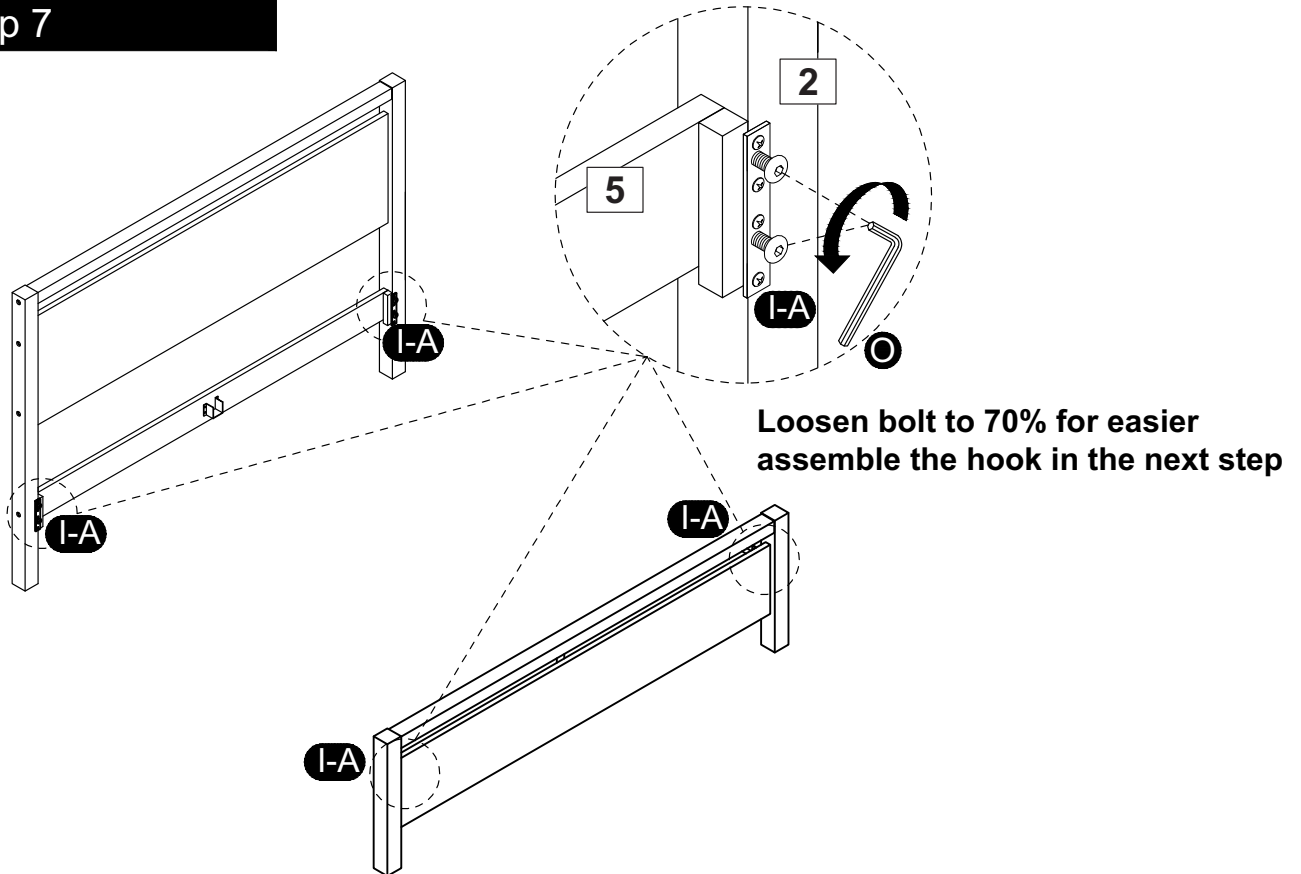
Step 6



Use wooden dowel (G) to connect Part (7) and Part (8),
Attach Part (9) to Part (7,8), using Flat washer (D), Lock washer (E) and Bolt (C),
tighten them by Allen key (F).
Attach Part (I-B) to Pro-hole of Part (7,8), using Screw (K) with a screwdriver.

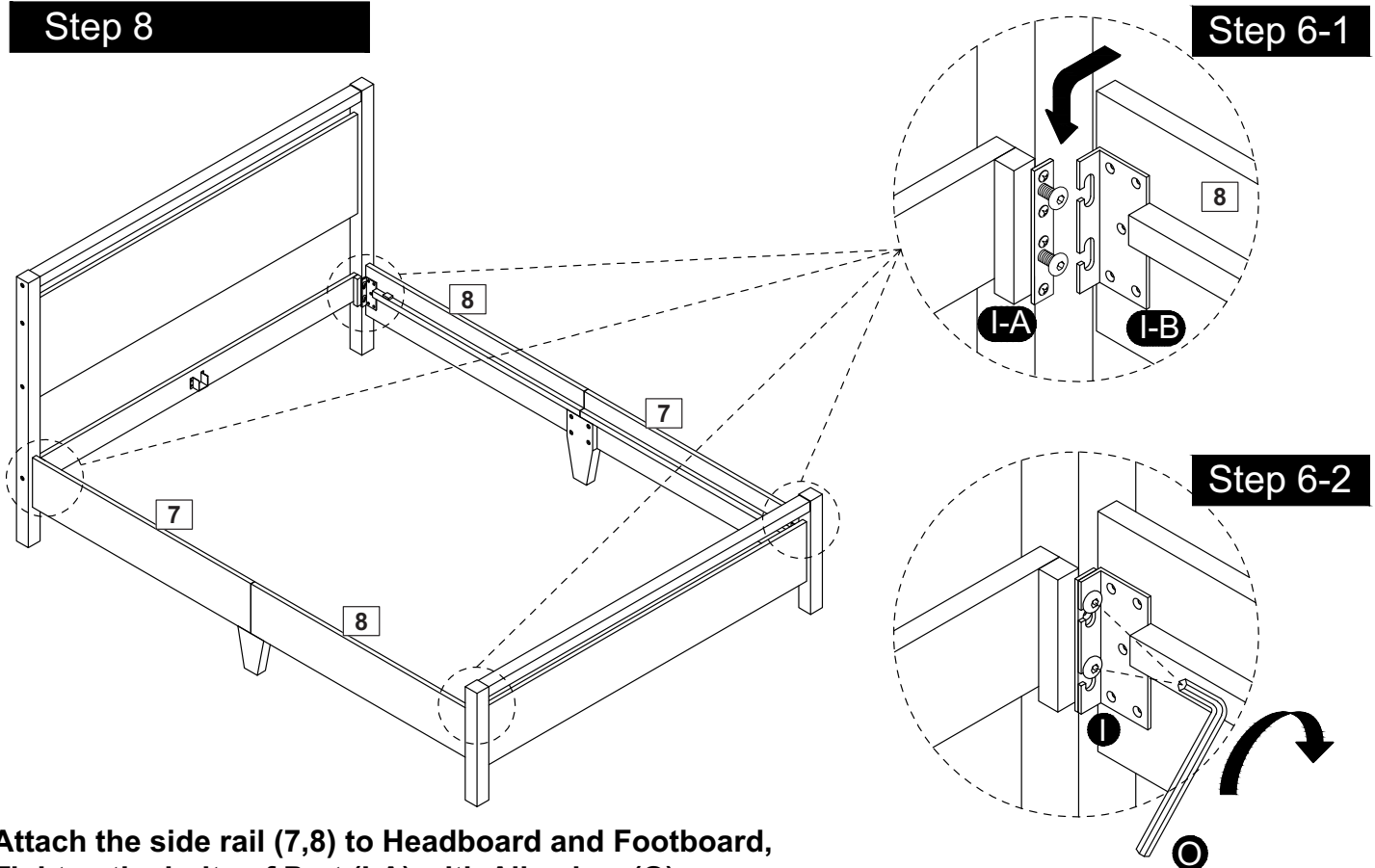
Assembly Instructions

Step 7



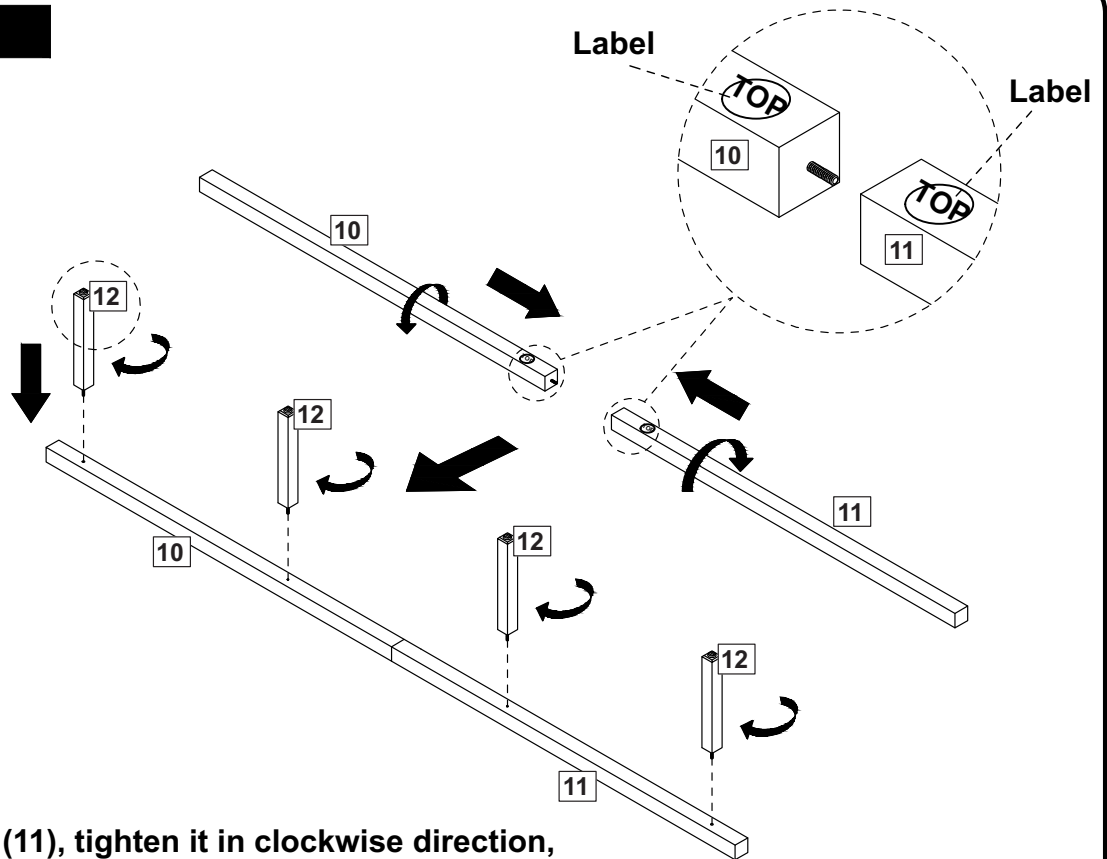
Loosen the bolts of Part (I-A) at the headboard and footboard.

Step 8



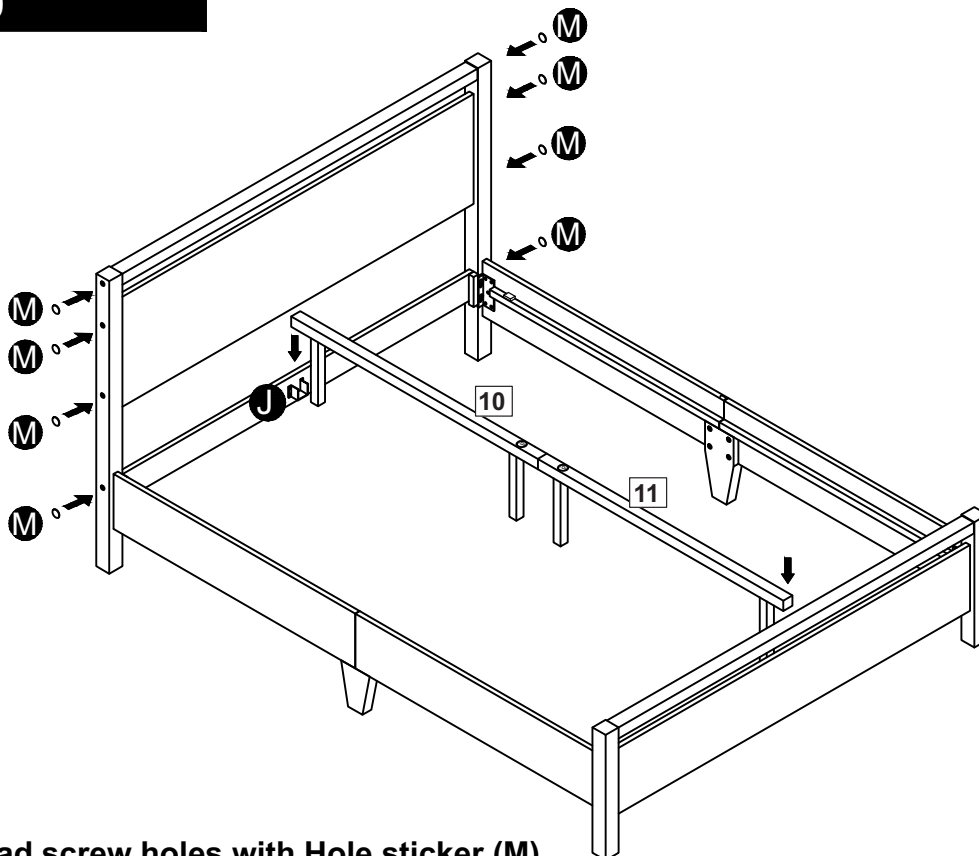
Assembly Instructions

Step 9



**Attach Part (10) to Part (11), tighten it in clockwise direction,
Adjust the label of Part (10,11) to be on the same side.
Attach Part (12) to Part (10,11),tighten it in clockwise direction.**

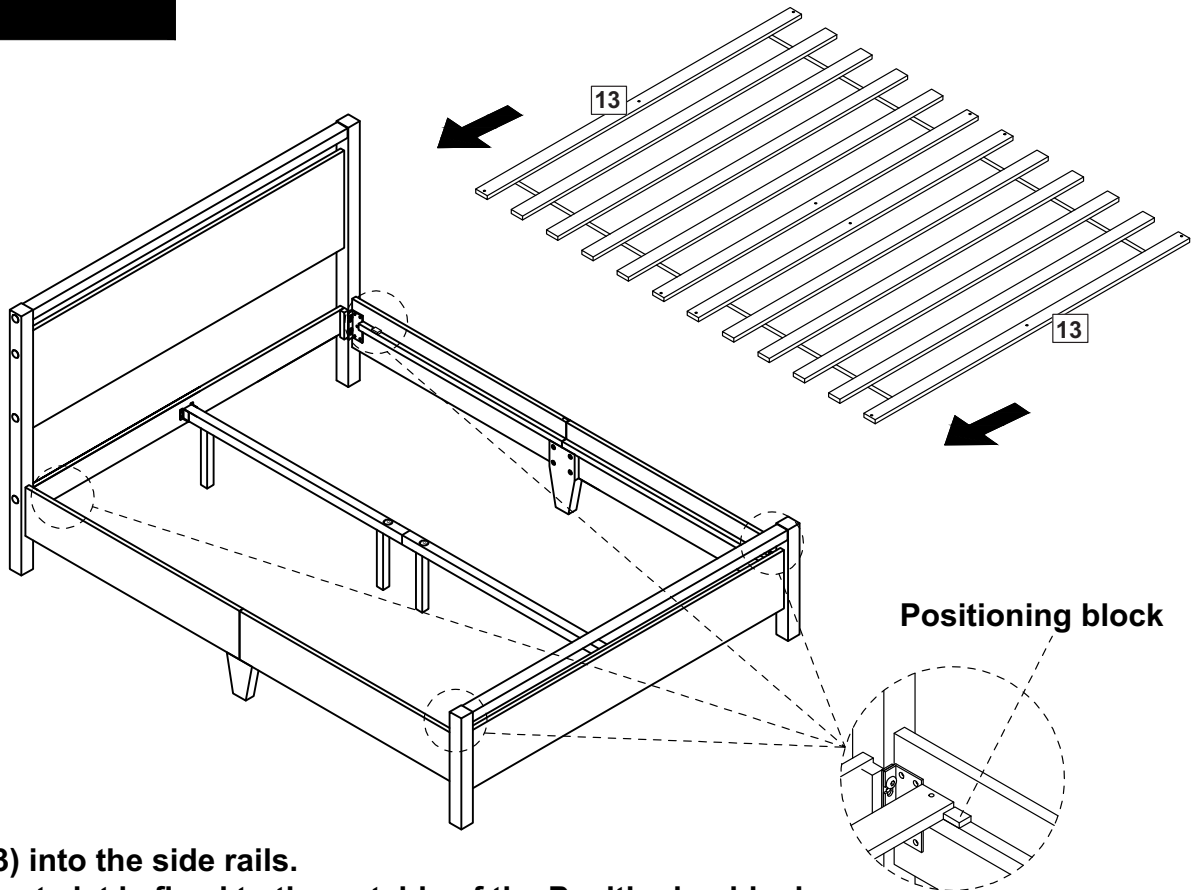
Step 10



**Cover the head screw holes with Hole sticker (M).
Insert Part (10,11) into Part (J) of headboard and footboard.**

Assembly Instructions

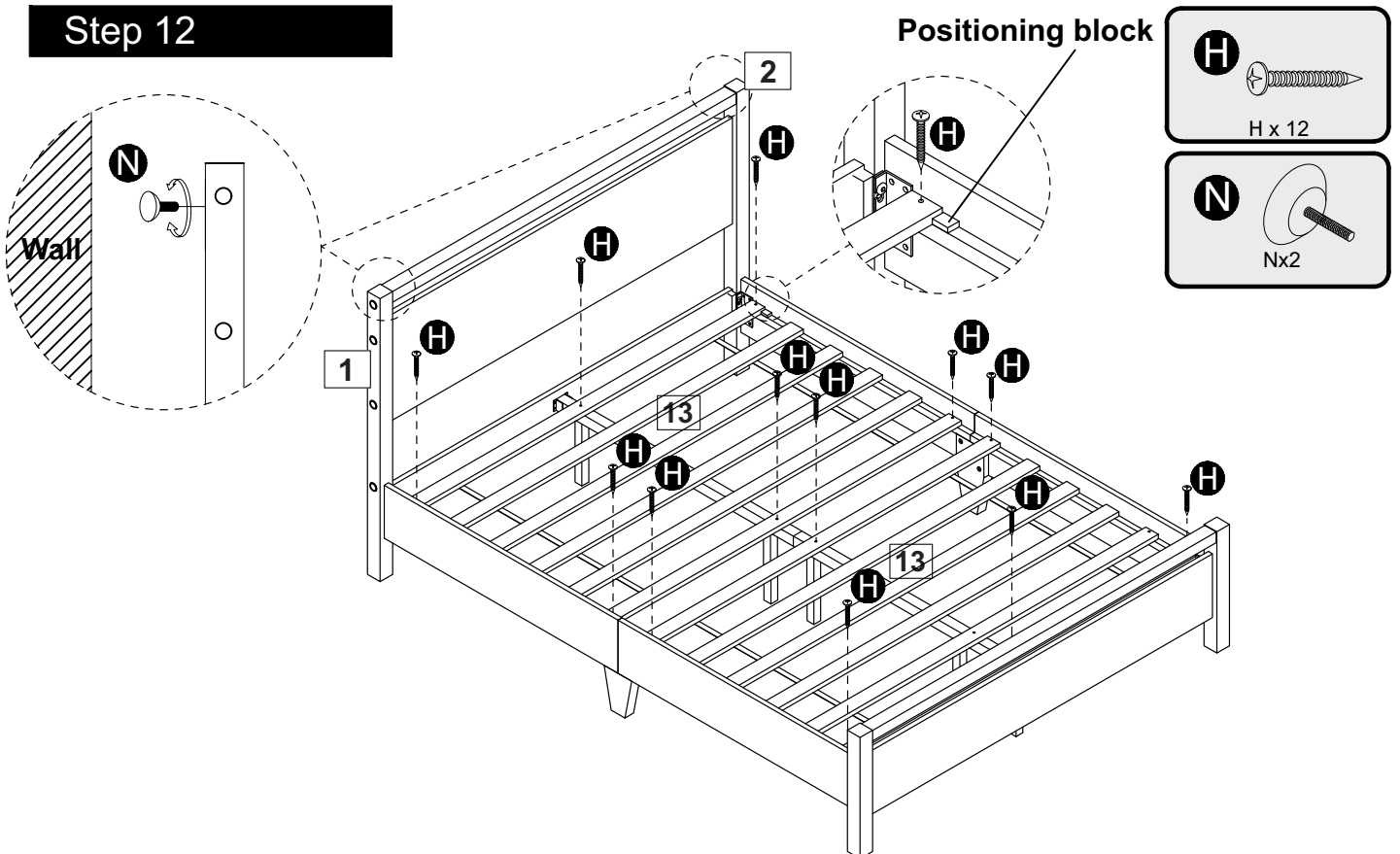
Step 11



Place Part (13) into the side rails.

Note: outermost slat is fixed to the outside of the Positioning block.

Step 12

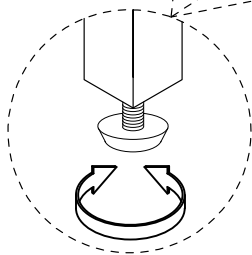
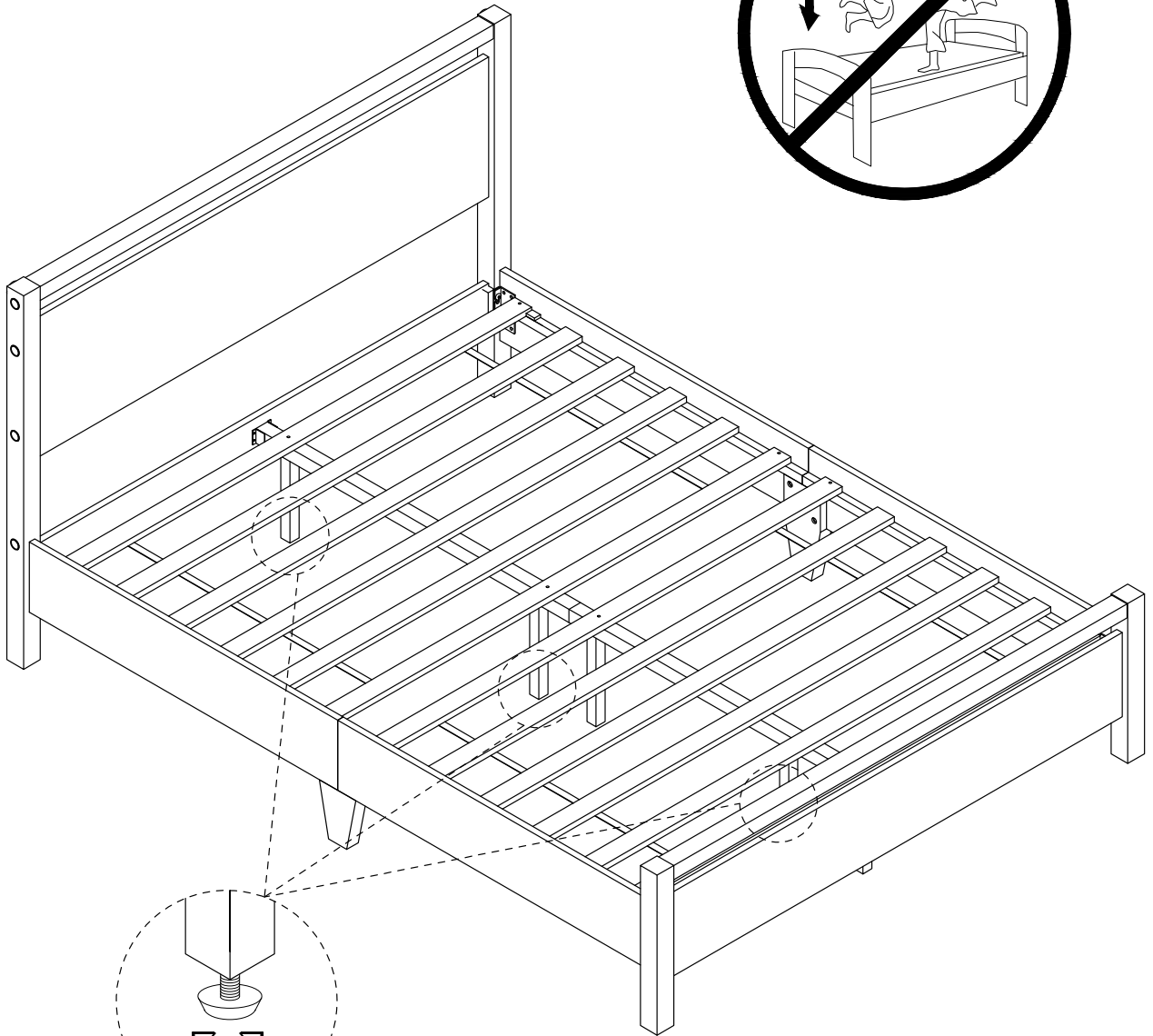


Pull Part (13) inwards to tighten, using screws (H) with a screwdriver.

Screw the Part (N) to Part (1,2), making sure it touch the wall to keep the bed balanced.

Assembly Instructions

Step 13



Adjust Leveler

Installation Complete