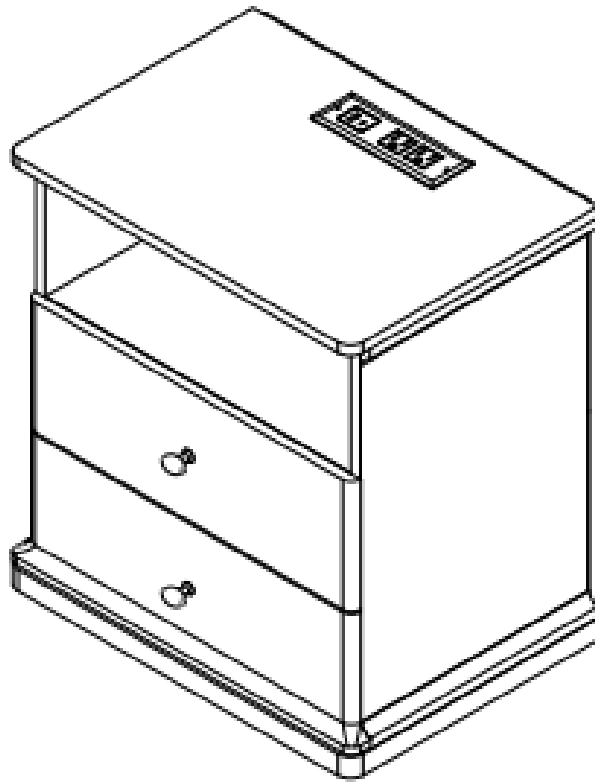
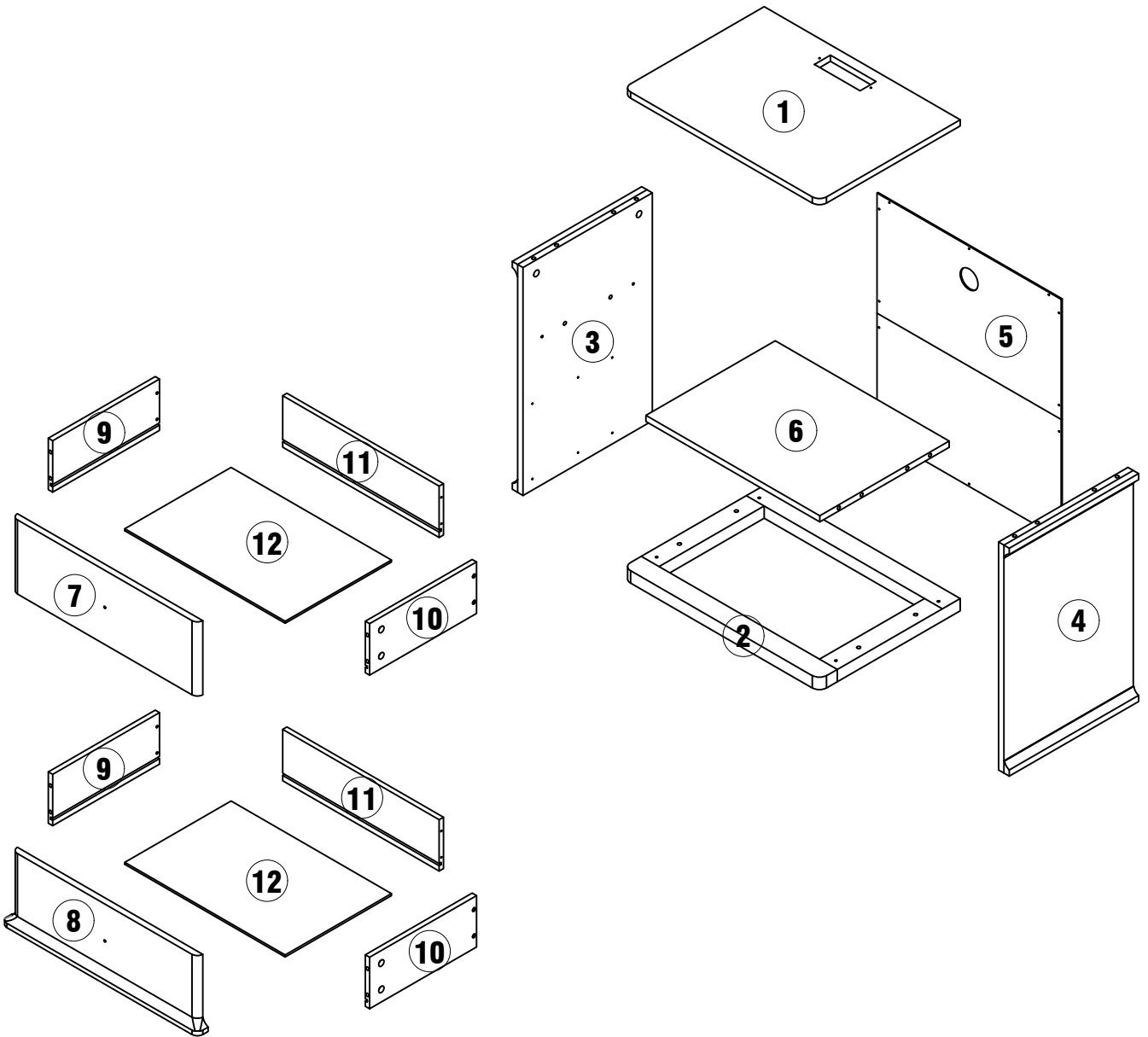


# Installation & Assembly




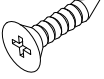
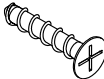



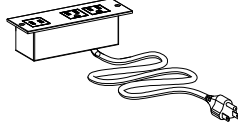
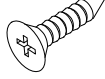
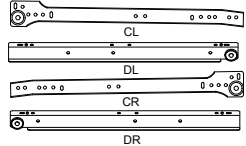
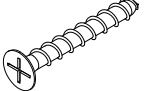

# PACKAGE INCLUDE



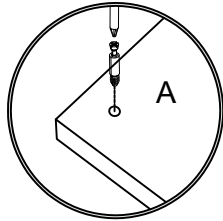
## PACKAGE INCLUDE

<b>CODE</b>	<b>DESCRIPTION</b>	<b>QTY</b>
<b>1</b>	Top Panel	<b>1</b>
<b>2</b>	Bottom Panel	<b>1</b>
<b>3</b>	Left Side Panel	<b>1</b>
<b>4</b>	Right Side Panel	<b>1</b>
<b>5</b>	Back Panel	<b>1</b>
<b>6</b>	Shelf Panel	<b>1</b>
<b>7</b>	Upper Drawer Panel	<b>1</b>
<b>8</b>	Lower Drawer Panel	<b>1</b>
<b>9</b>	Drawer Left Side Panel	<b>2</b>
<b>10</b>	Drawer Right Side Panel	<b>2</b>
<b>11</b>	Drawer Back Panel	<b>2</b>
<b>12</b>	Drawer Bottom Panel	<b>2</b>

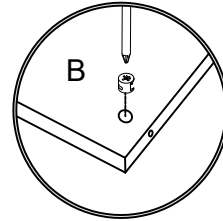
# PACKAGE CONTENT

<p><b>Ø8X30MM</b></p>  <p><b>A</b>      <b>12X+1</b></p>	<p><b>Ø3X11MM</b></p>  <p><b>B</b>      <b>24X+1</b></p>	<p><b>Ø4X35MM</b></p>  <p><b>C</b>      <b>8X</b></p>	<p><b>Ø15X10MM</b></p>  <p><b>D</b>      <b>16X+1</b></p>
<p><b>Ø3.5X12MM</b></p>  <p><b>F</b>      <b>14X+1</b></p>	<p><b>Ø3X16MM</b></p>  <p><b>G</b>      <b>16X+1</b></p>	<p><b>Ø4X35MM</b></p>  <p><b>H</b>      <b>1X</b></p>	<p><b>Ø3.5X14MM</b></p>  <p><b>J</b>      <b>2X</b></p>
 <p><b>K</b>      <b>2X</b></p>	<p><b>Ø4X50MM</b></p>  <p><b>L</b>      <b>4X</b></p>	 <p><b>M</b>      <b>2X</b></p>	

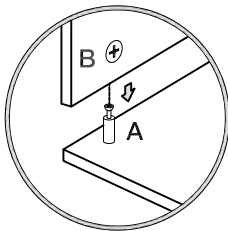
# How to use the cam lock system



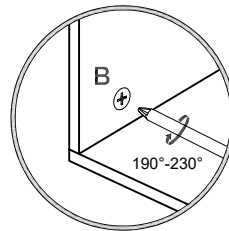
1. Screw cam bolt into panel



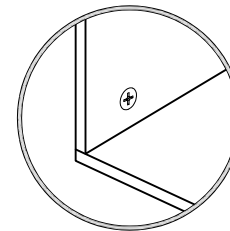
2. Push cam into panel - arrow feature on cam top points to panel edge



3. Align cam bolt(s) with cam(s) and insert all the way into cross-bored hole(s)

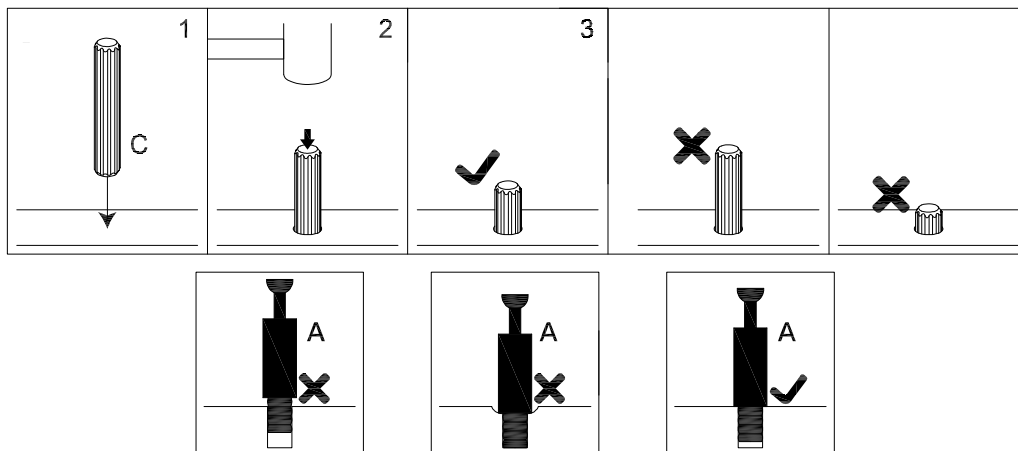


4. Rotate cam(s) clockwise 190°-230° to lock panels together



5. Panels should be tight against each other and connection should be rigid

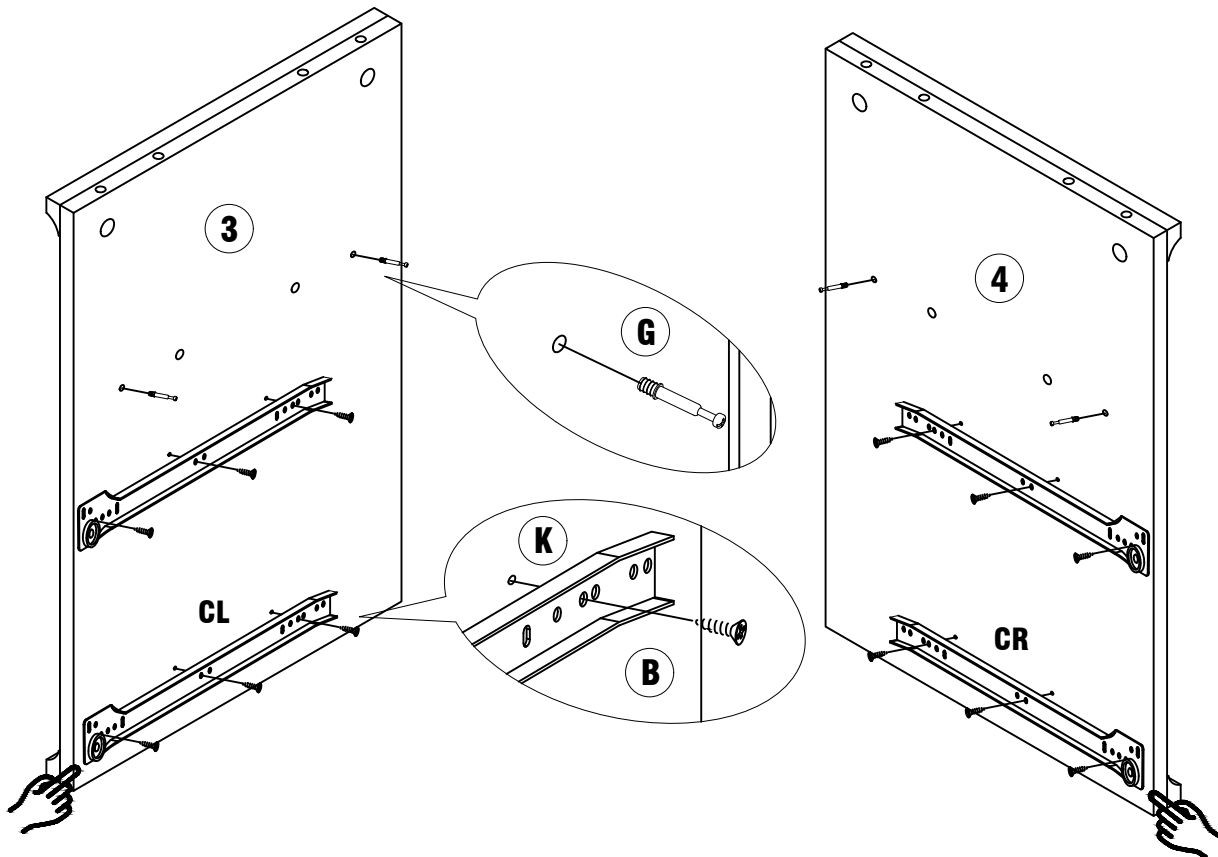
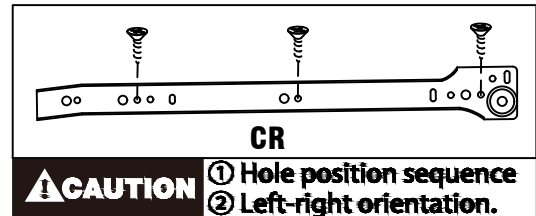
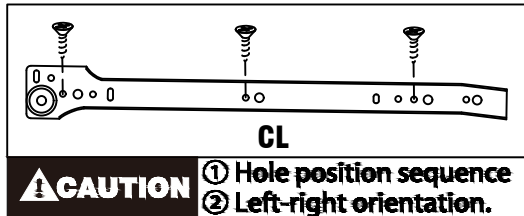
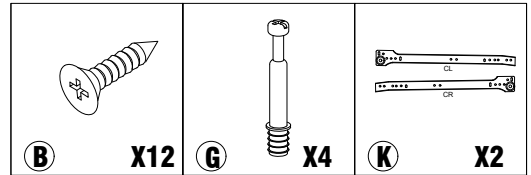
Insert the wood dowel [C] at least half way by tapping lightly with a rubber mallet, IF NECESSARY.



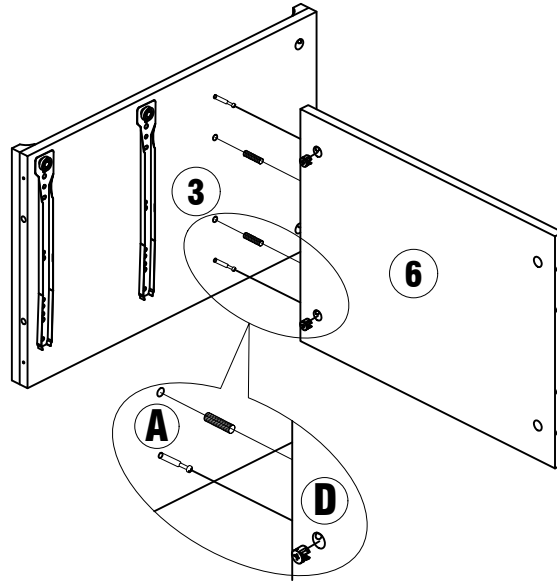
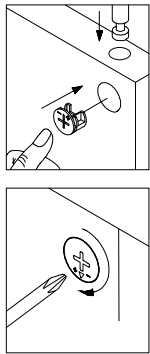
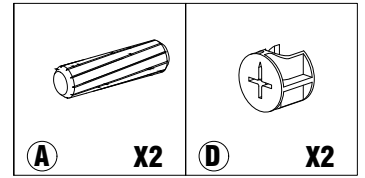
## ⚠ WARNING

- Unit must be placed on a level surface or leveled with included hardware (when applicable).
- Do not sit or stand on or allow children to climb, sit or stand on the assembled product.
- For safety reasons, it is imperative that this unit be mounted to the wall.
- Do not use without installing the tip restraint.
- Unit can tip over causing severe injury or death.
- Do not exceed the recommended weight limits.
- Evenly distribute the weight on each level and always keep the heavier loads on the bottom.
- Before cutting, drilling or hammering into any wall or floor surface, verify the location of electrical, plumbing and gas lines. Cutting may cause serious injury.

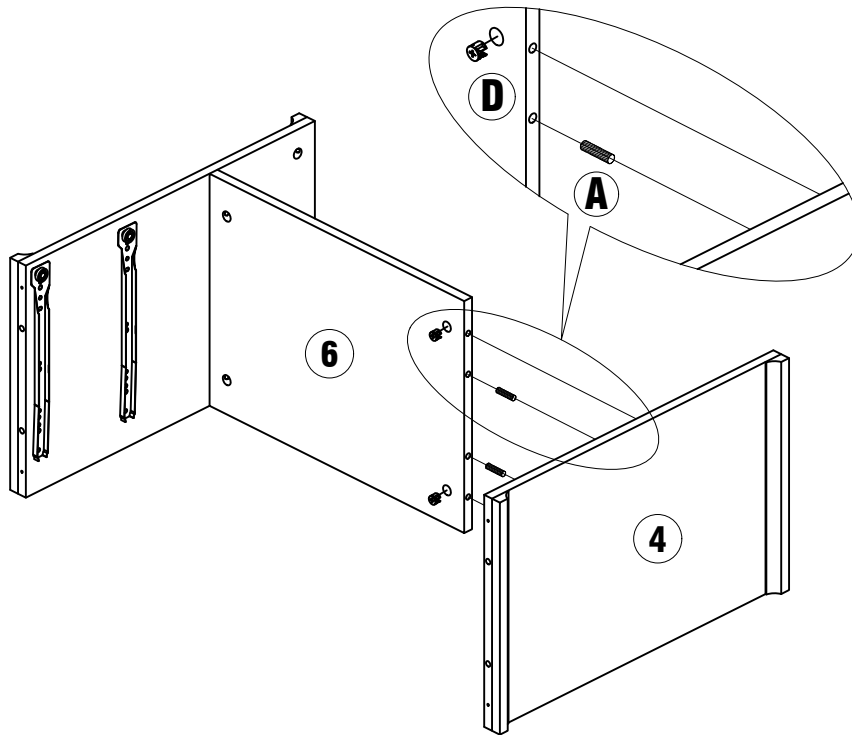
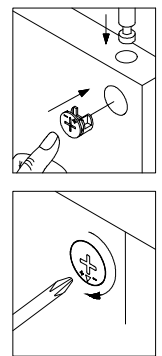
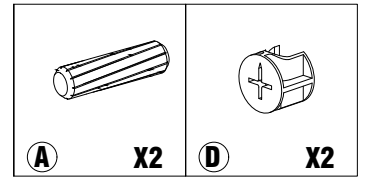
# STEP 1



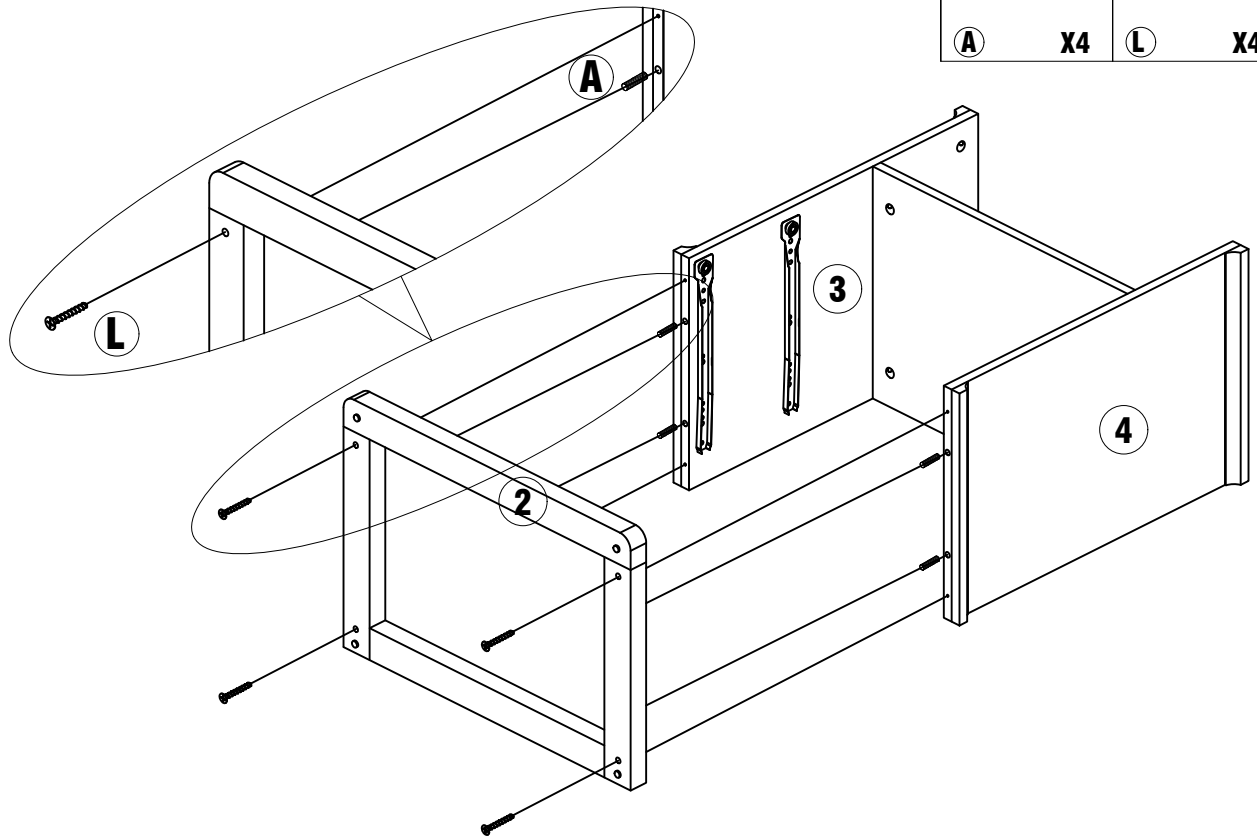
## STEP 2



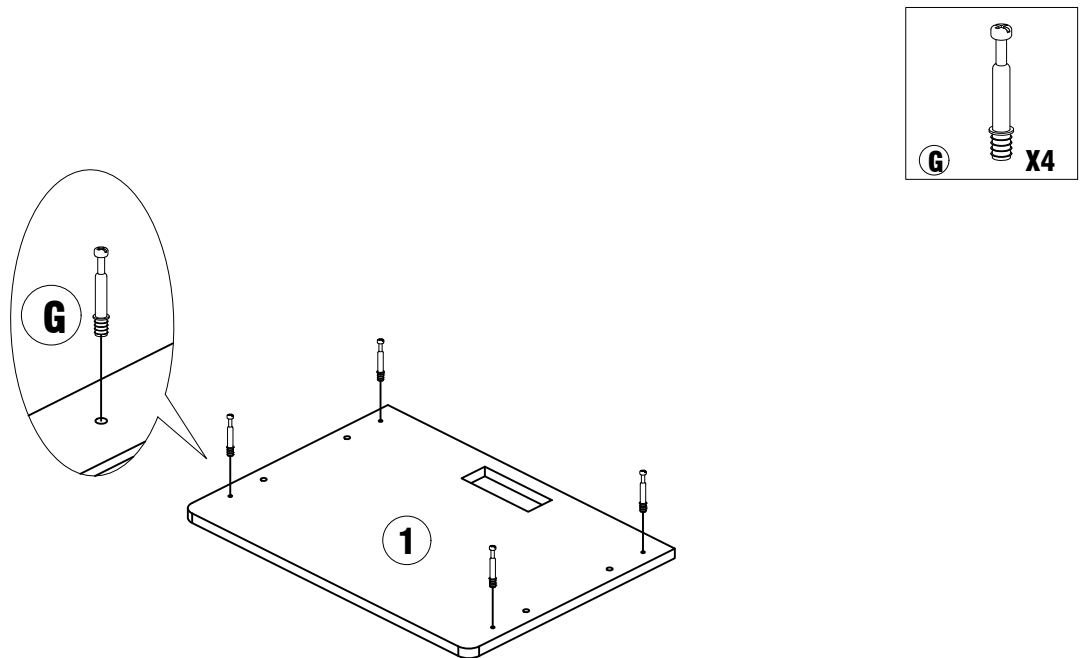
## STEP 3



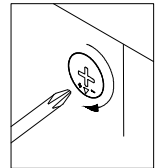
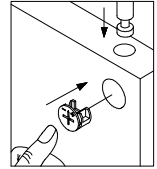
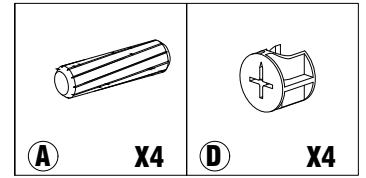
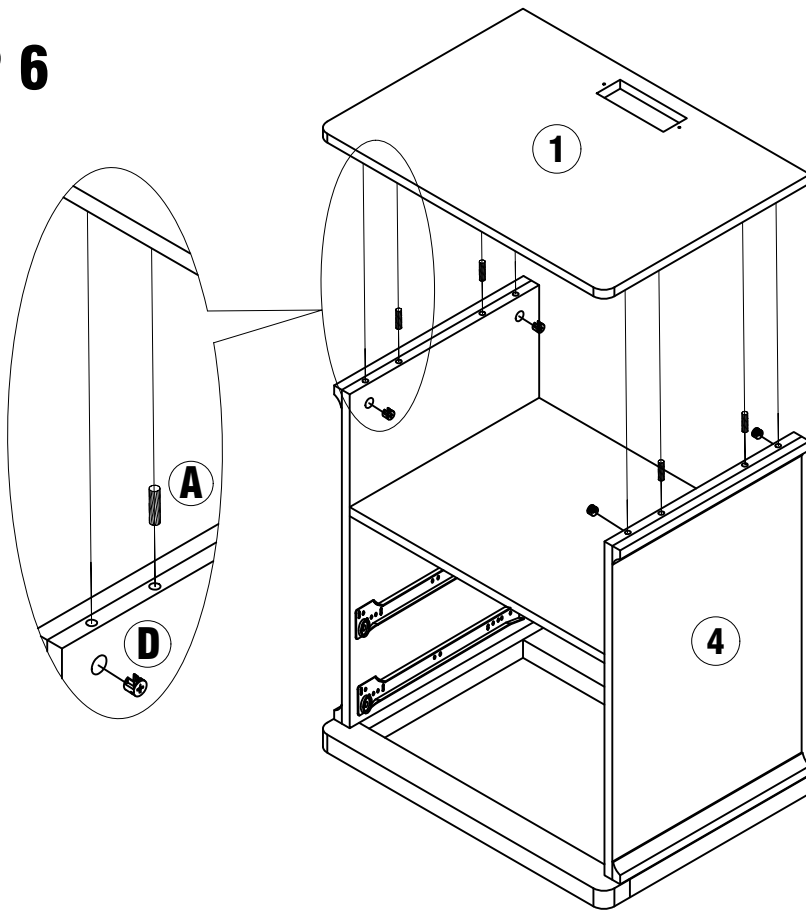
# STEP 4



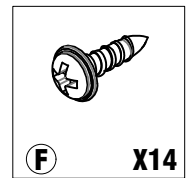
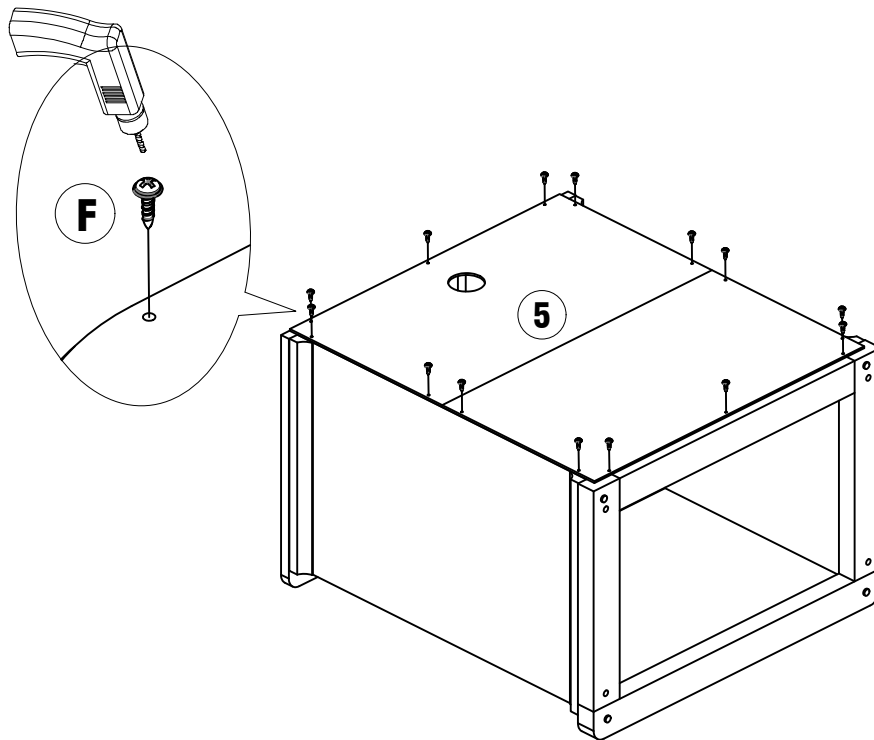
# STEP 5



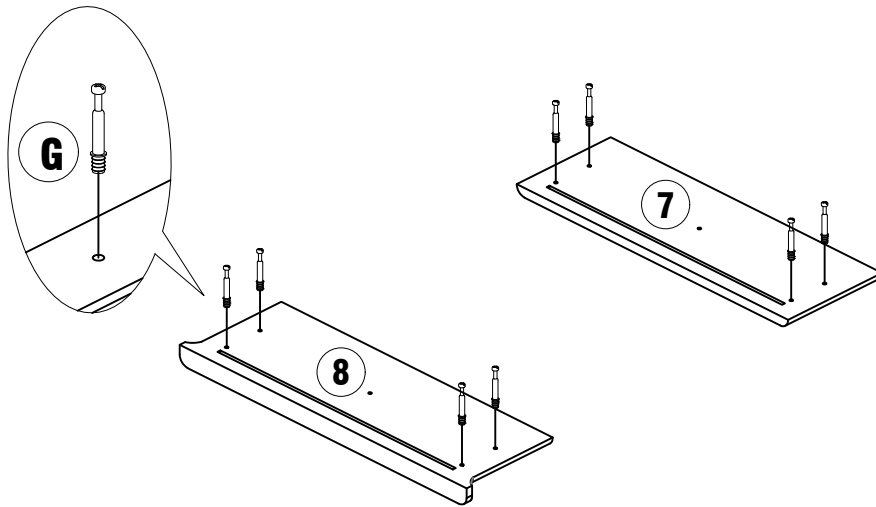
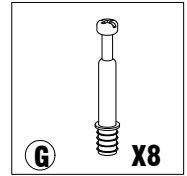
# STEP 6



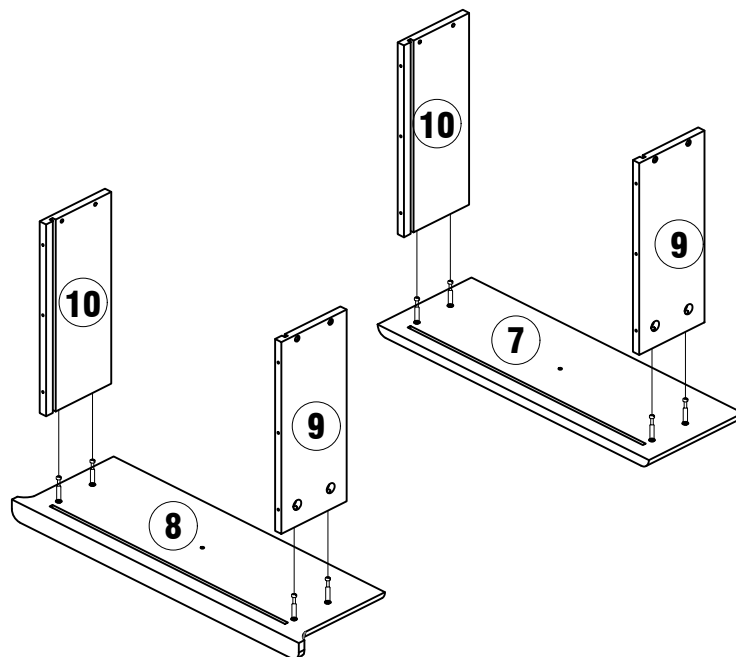
# STEP 7



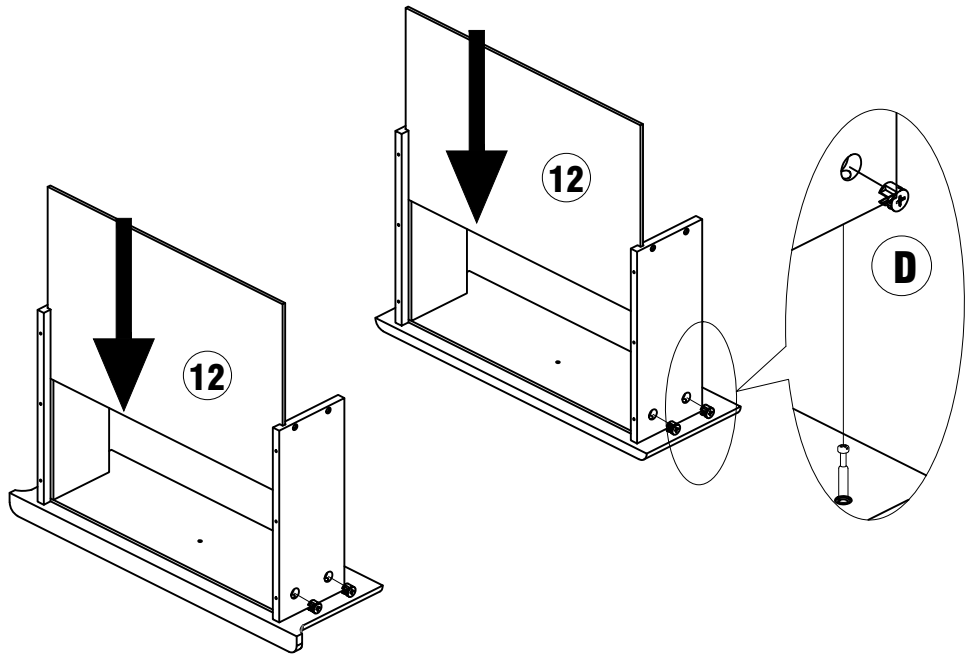
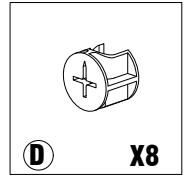
# STEP 8



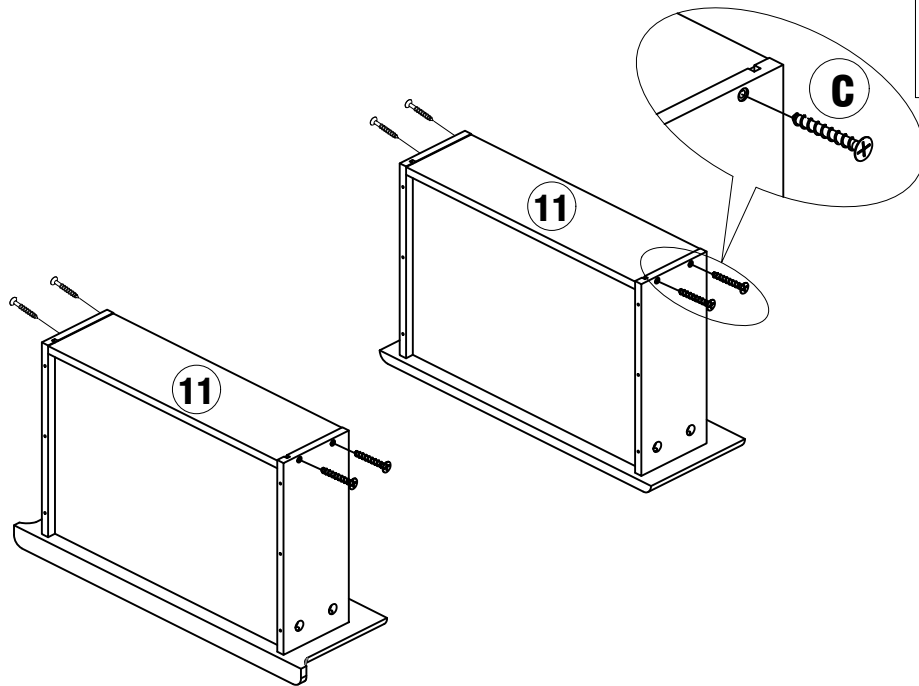
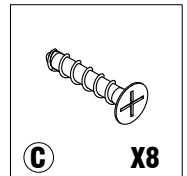
# STEP 9



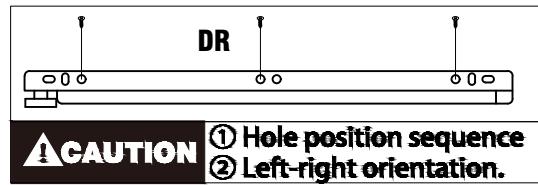
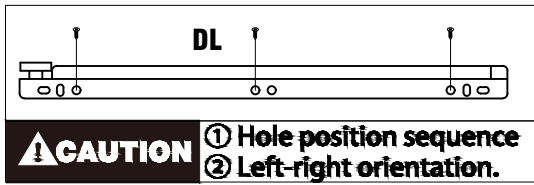
# STEP 10



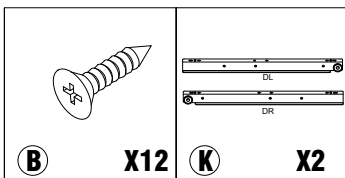
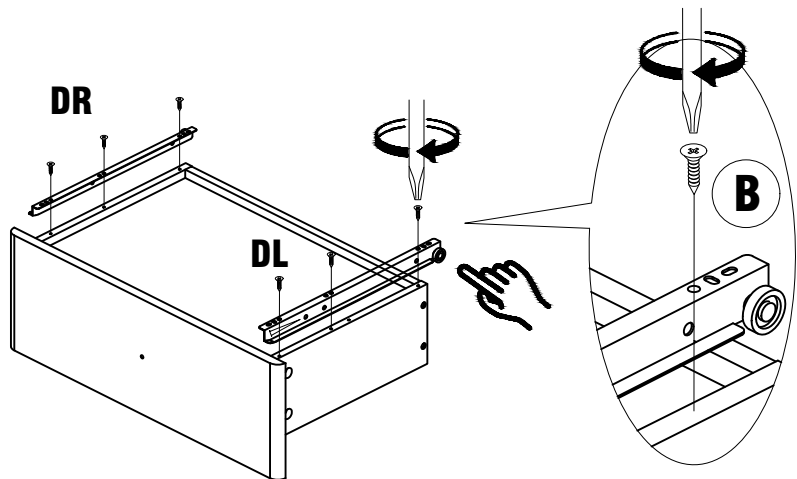
# STEP 11



# STEP 12



**X2**



# STEP 13

