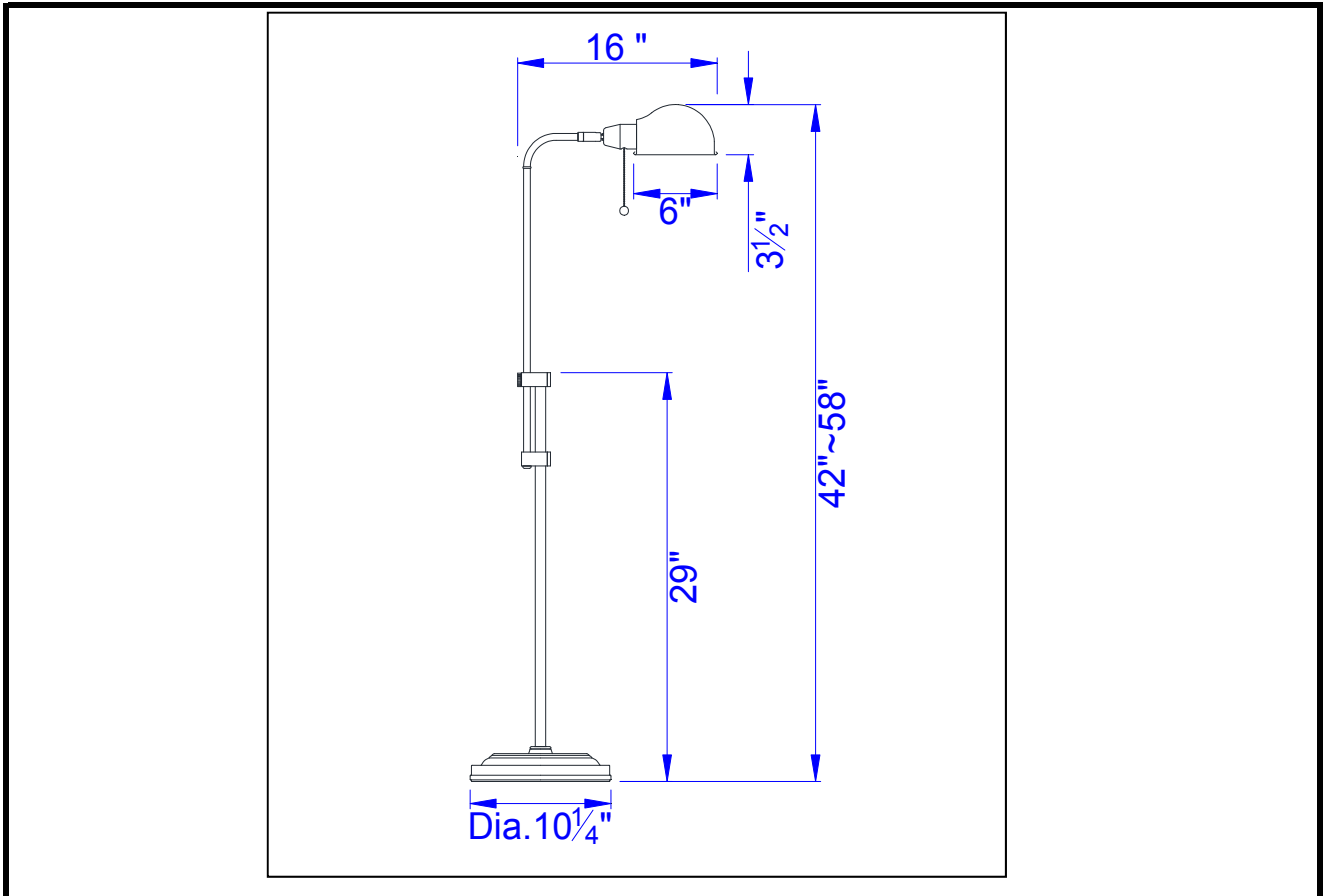


Type: \_\_\_\_\_  
Project: \_\_\_\_\_  
Catalog No.: \_\_\_\_\_  
Lamp/Wattage: \_\_\_\_\_



**Description:** Metal Floor Lamp

**Material:** Metal

**Finish :** DB (Dark Bronze), AB (Antique Bronze), RU (Rust)

**Height:** 42~58"

**Base Width:** Dia. 10 1/4"

**Wattage :** 60W

**Socket :** Medium Base (E27)

**Switch:** On/off Pull-chain

**Bulb:** Incandescent, CFL

**Wire Length:** 6'

**Wire Color:** Matching Body

**Shade No:**

**Material:** Metal

**Shade size:** Dia.6"xH3 1/2"

**Certificate :**

