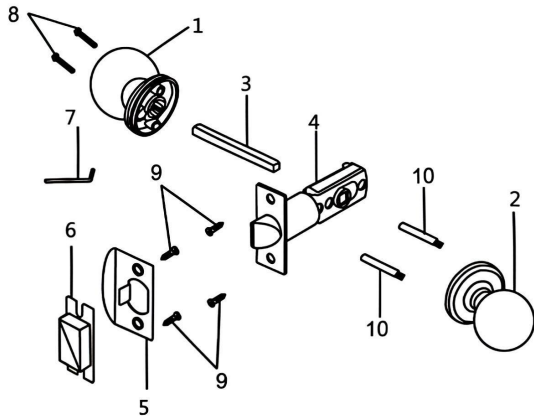


Backset: 2-3/8" , 2-3/4"

Door thickness: 1-3/8" to 1-3/4"

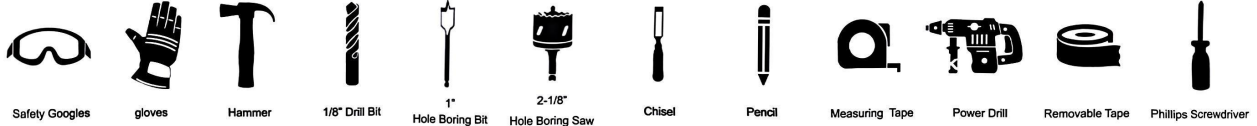
Passage/Privacy

Package Included



Part	Name	Quantity
1	Interior Knob	1 Piece
2	Exterior Knob	1 Piece
3	Spindle	1 Pieces
4	Latch	1 Piece
5	Latch Strike Plate	1 Piece
6	Plastic Cover	1 Piece
7	Hex Key	1 Piece
8	Installation Screws	2 Pieces
9	Wood Screws	4 Pieces
10	Placement Tubes	2 Pieces

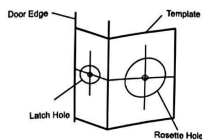
Tools Required (Not Included)



Installation Instructions for Passage and Privacy

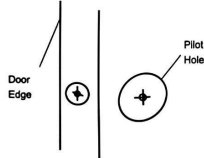
(With step-by-step Installation Pictograms & Drilling Template, if replacement installation, please skip to step F.)

A Measure and mark the desired location.



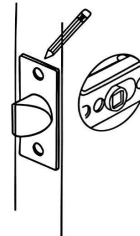
B Drill holes

- ▲ Remove template from door after marking holes.
- ▲ Drill 1/8" (3mm) pilot hole as marked in step A for latch and lock rosette holes.
- ▲ Drill one 2-1/8" (54mm) rosette hole through the door face.
- ▲ Drill one 1" (25mm) latch hole through the door edge.



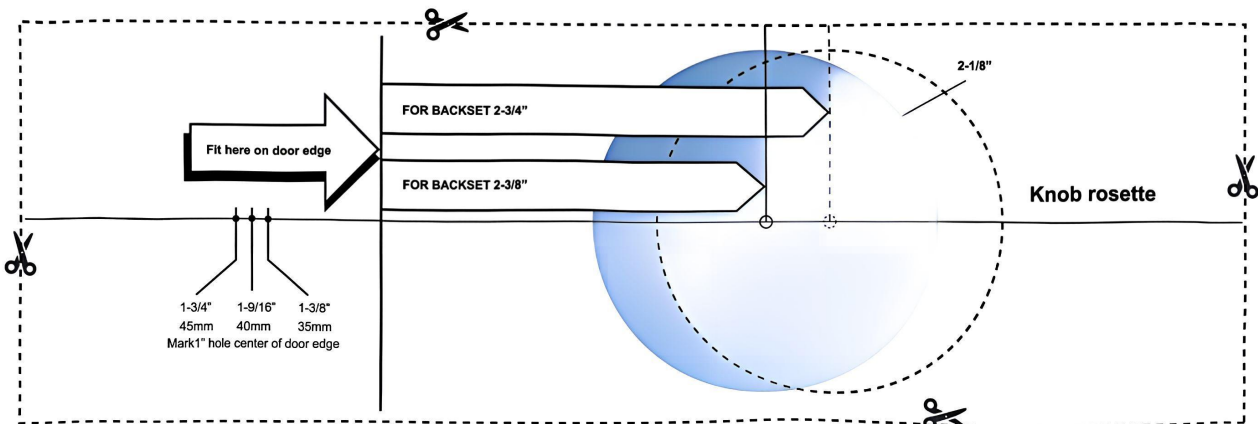
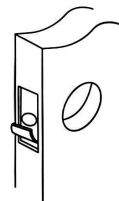
C Mark latch faceplate outline

- ▲ Insert the latch into the hole, keeping the latch parallel to the door edge, and use the latch faceplate as a template to mark the outline of faceplate.



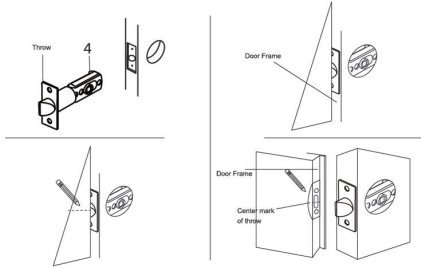
D Chisel latch faceplate hole

- ▲ Chisel the marked area in step C until the latch faceplate is flush with door edge, 1/16" (2mm) deep approximately.



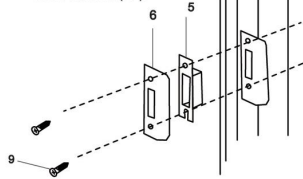
E Mark the latch strike plate location

- ▲ Insert Latch (4) into door.
- ▲ Close door until the throw of Latch (4) touches door frame
- ▲ Mark door frame at center of throw.
- ▲ Place the latch strike plate (5) at marked spot on door frame and trace its outline on the door frame.



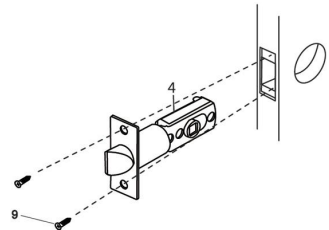
F Install latch strike plate

- ▲ Drill and chisel out 1/2" (14 mm) deep pocket in door frame for throw.
- ▲ Chisel strike plate outline until the strike plate is flush with surface of the door frame.
- ▲ Place plastic cover (6) into pocket of door frame.
- ▲ Place latch strike plate (5) over the plastic cover (6).
- ▲ Use Phillips screwdriver to secure strike plate (5) with wood screws (9).



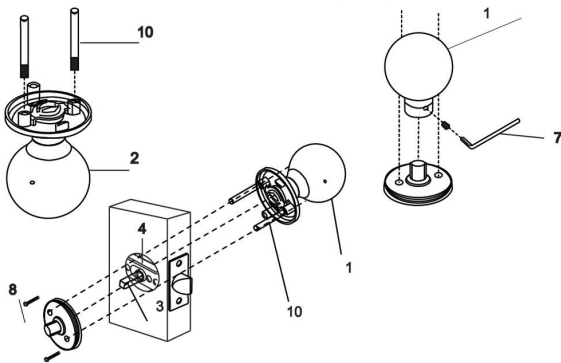
G Install latch

- ▲ Insert latch (4) into side of door and use Phillips screwdriver to secure with wood screws (9)



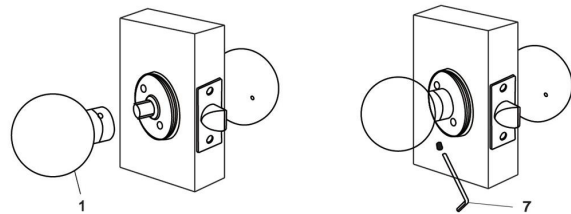
H Install exterior knob

- ▲ Screw placement tubes(10) into back of exterior knob(2).
- ▲ Use hex key(7) to remove set screw from interior knob(A).
- ▲ Insert spindle (3) through center of latch(4), insert exterior knob(2) through back of door, insert base of interior knob(1) through front of door.
- ▲ Use Phillips screwdriver to screw installation screws(8) into placement tubes(10).



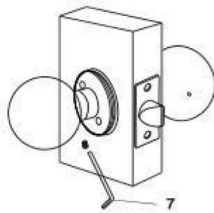
I Install interior knob

- ▲ Slide crystal part of interior knob(1) back over base, re-insert set screw and tighten with hex key(7).



J USE TIPS

- ▲ After installation, if the crystal door knobs are hard to turn,
- ▲ please adjust the set screw on the knobs by hex key(included).



Using the Emergency Release

Unlocking the door from outside the room in emergency situations. Push a skewer through the Emergency Release Hole against the back of the Privacy Spindle to unlock.

