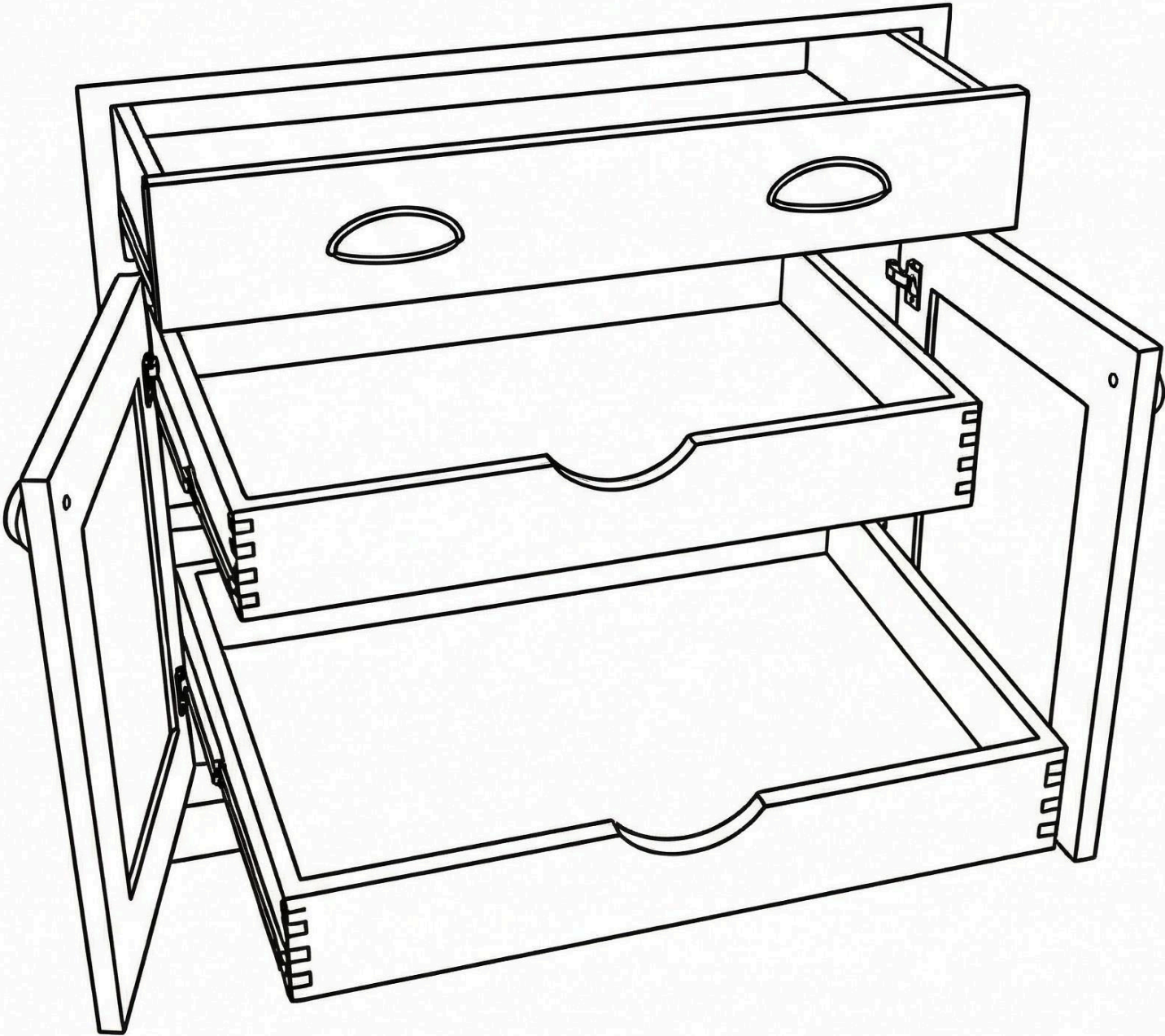
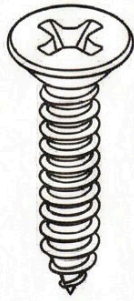
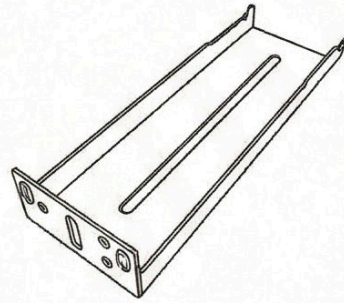


# PULL-OUT TRAY

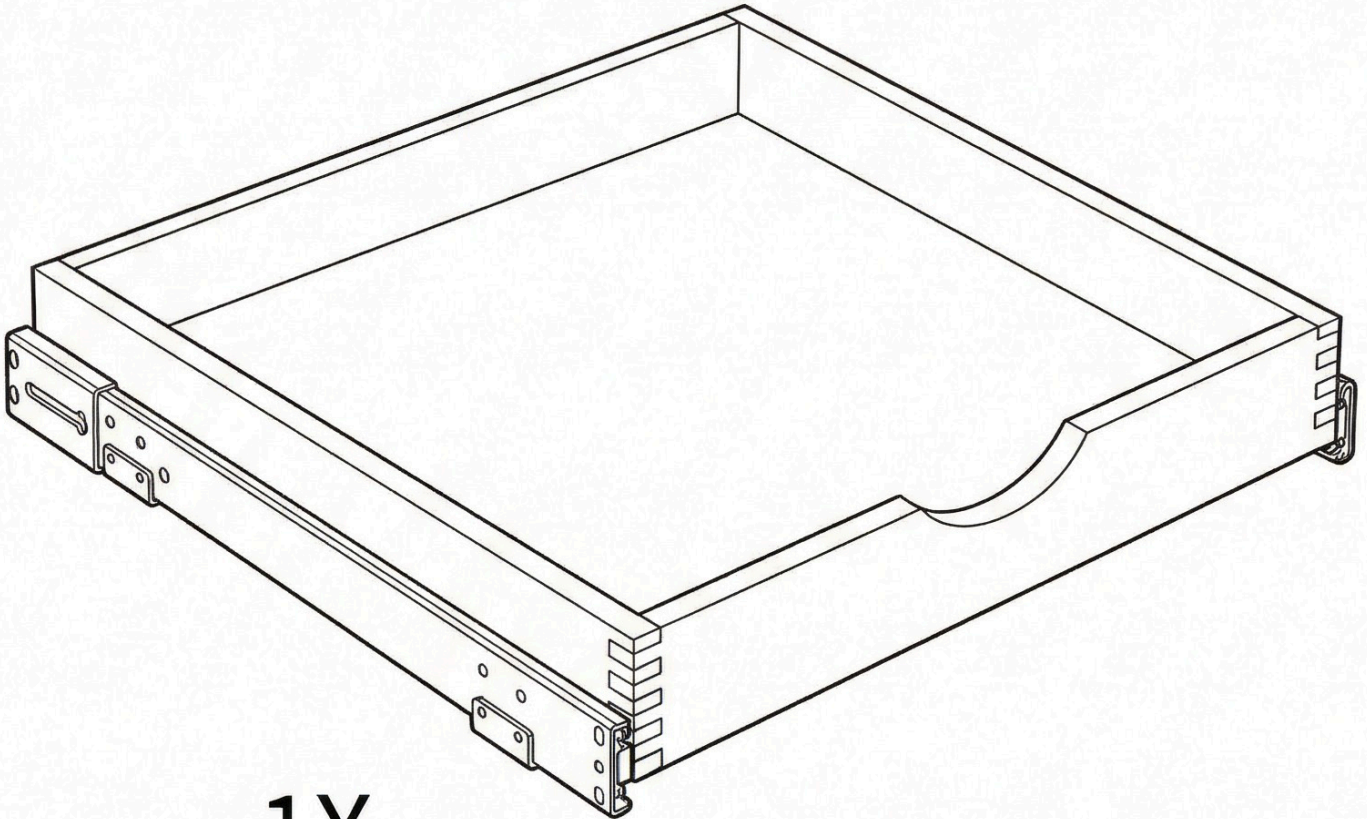




26X



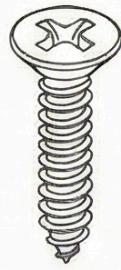
2X



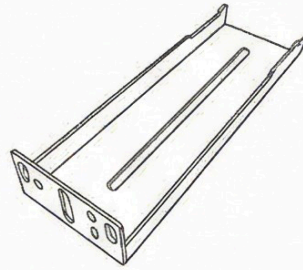
1X

**Assembled Set Go  
To Page 9**

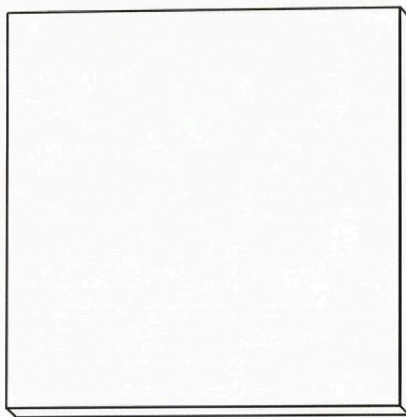
**P1**



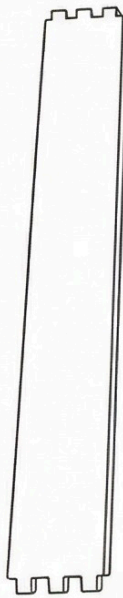
26X



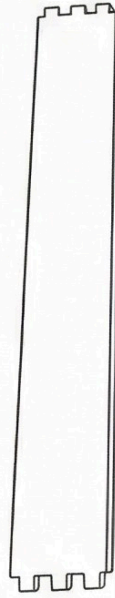
2X



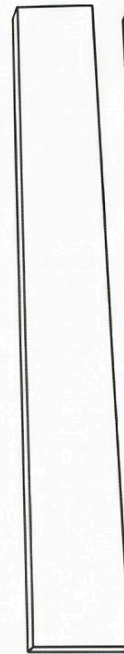
1X



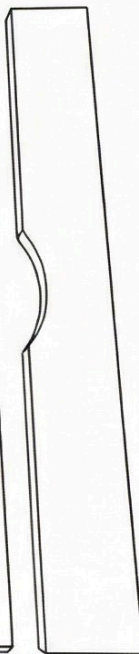
1X



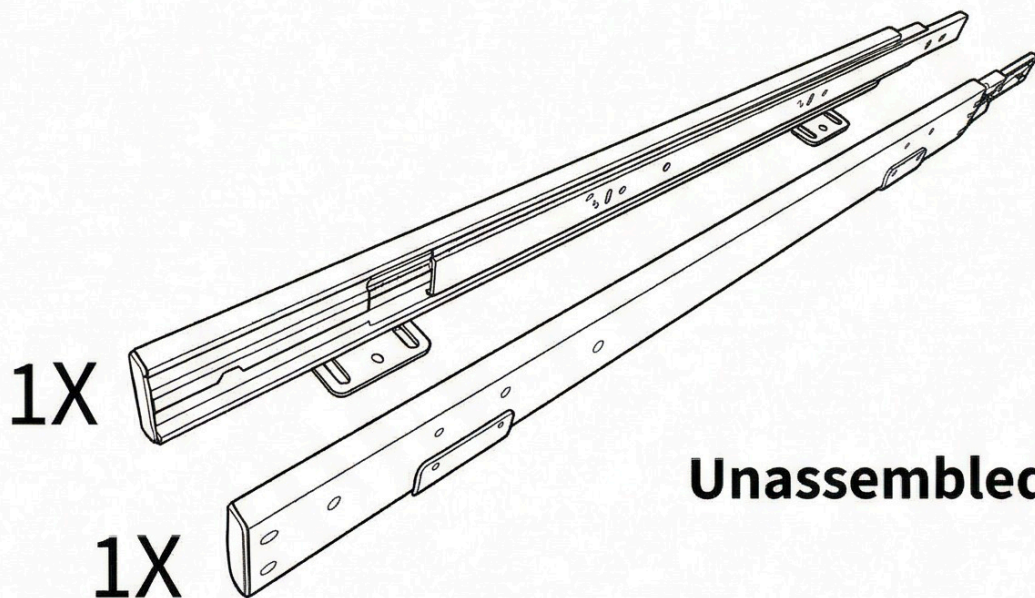
1X



1X



1X



1X

1X

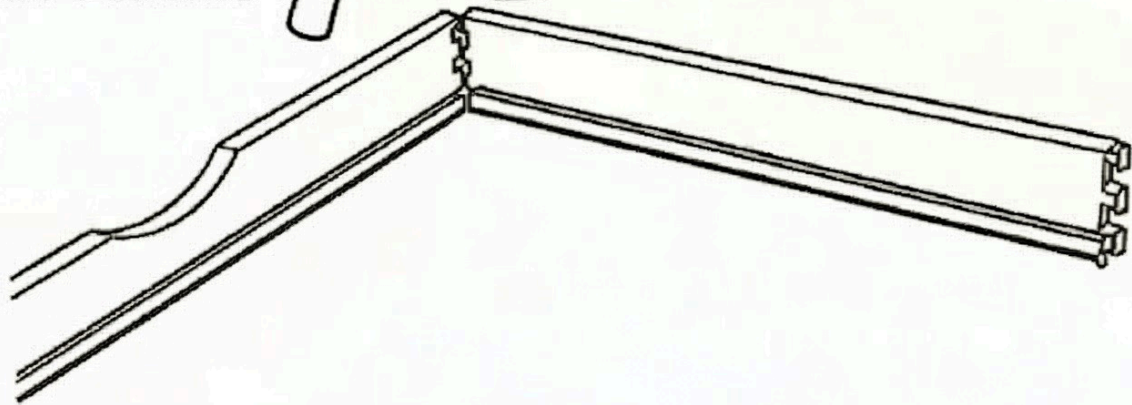
Unassembled Set

P2

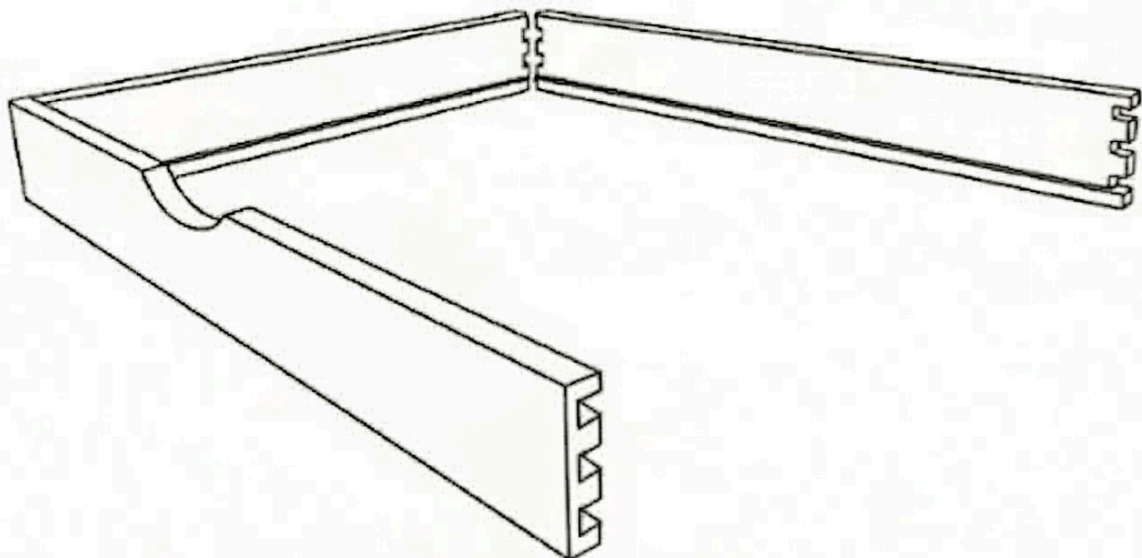
**1**

**Rubber Mallet**

**4X**

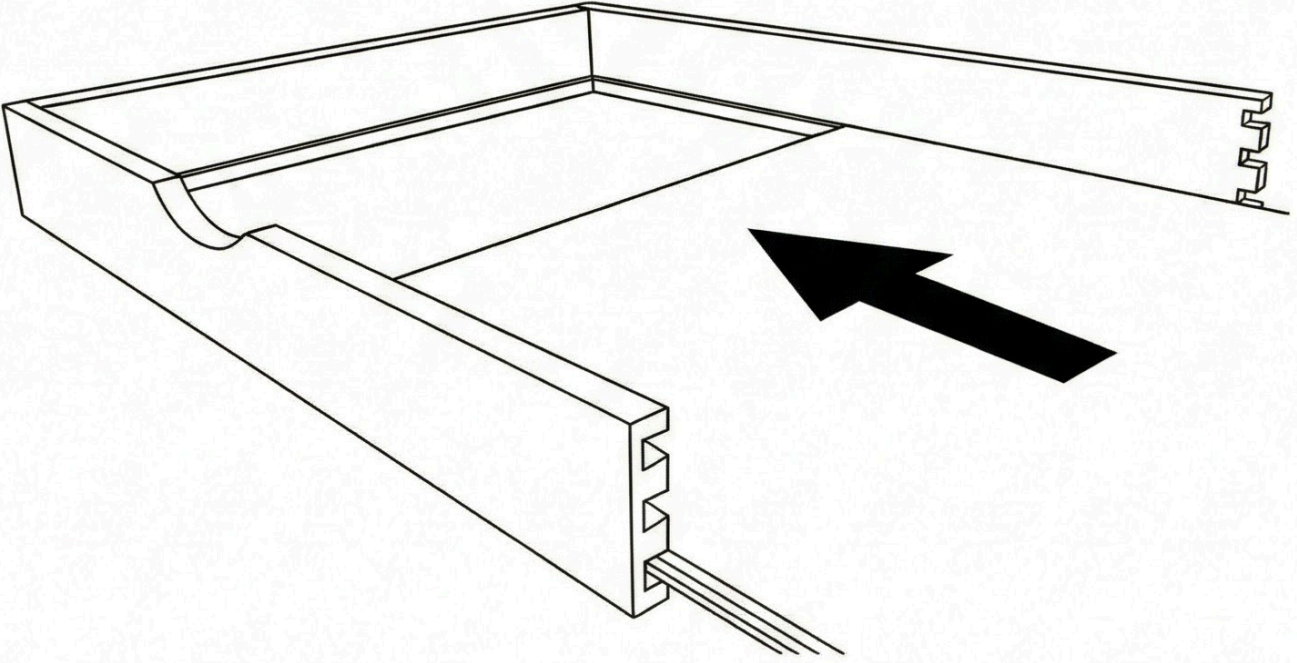


**2**

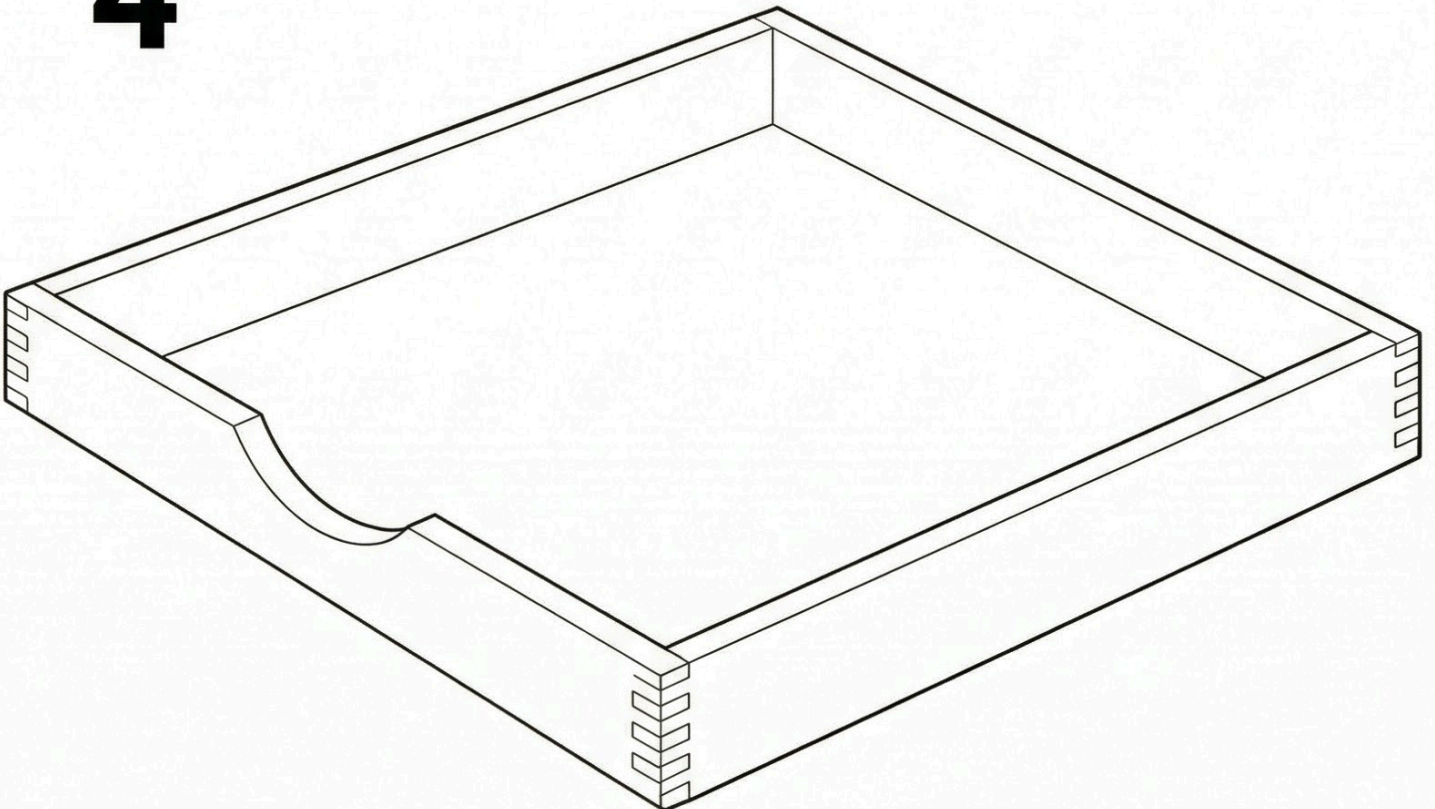


**P3**

**3**

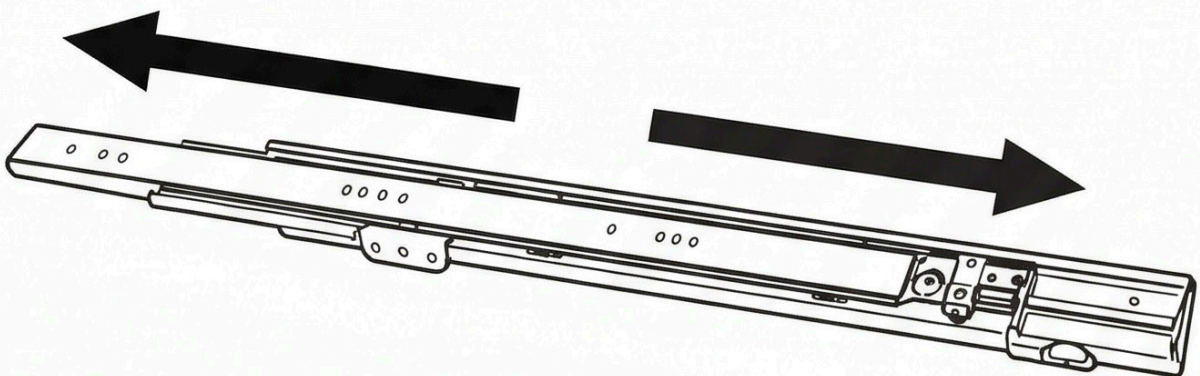
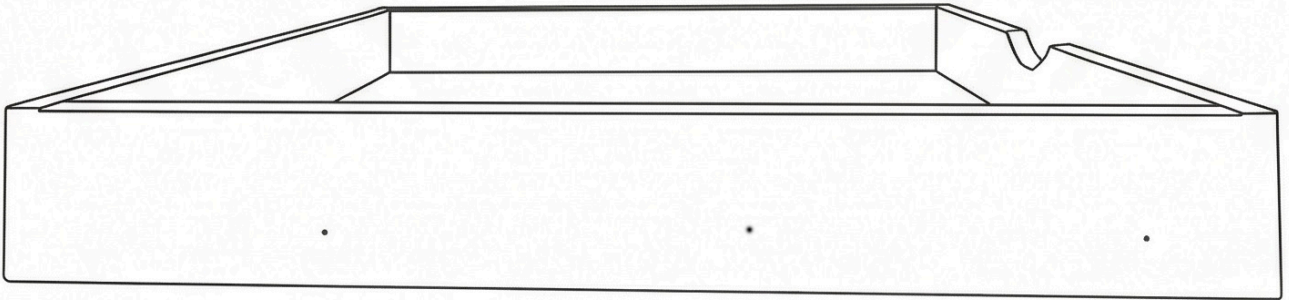


**4**



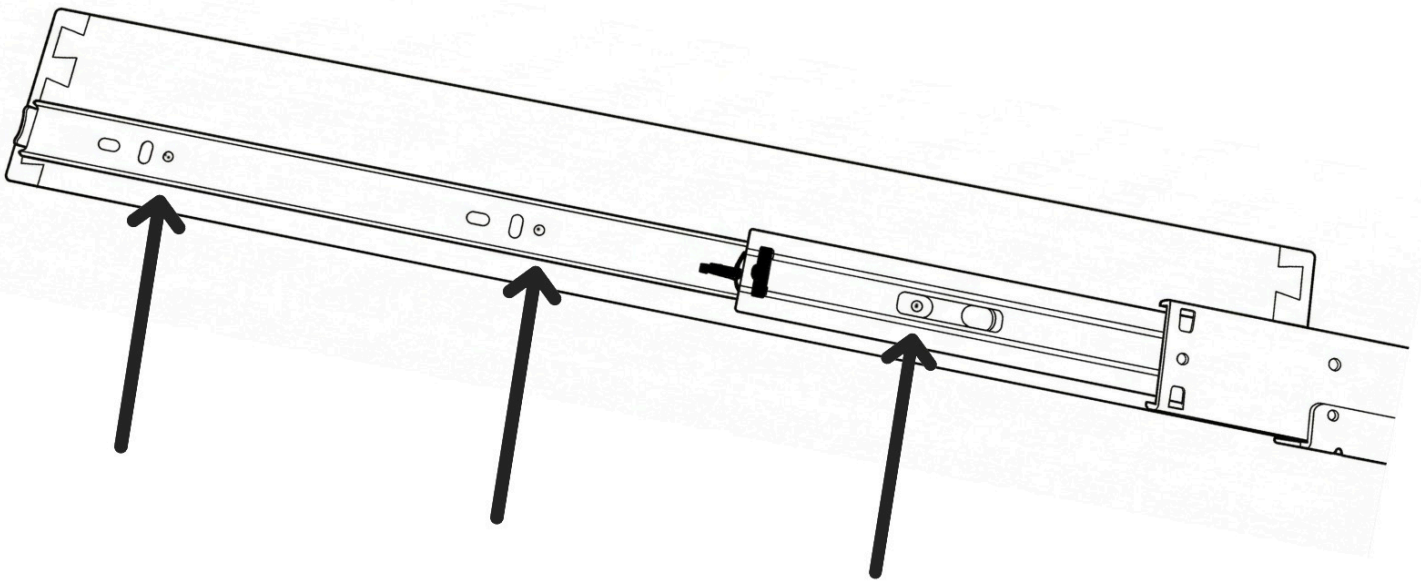
**P4**

**5**



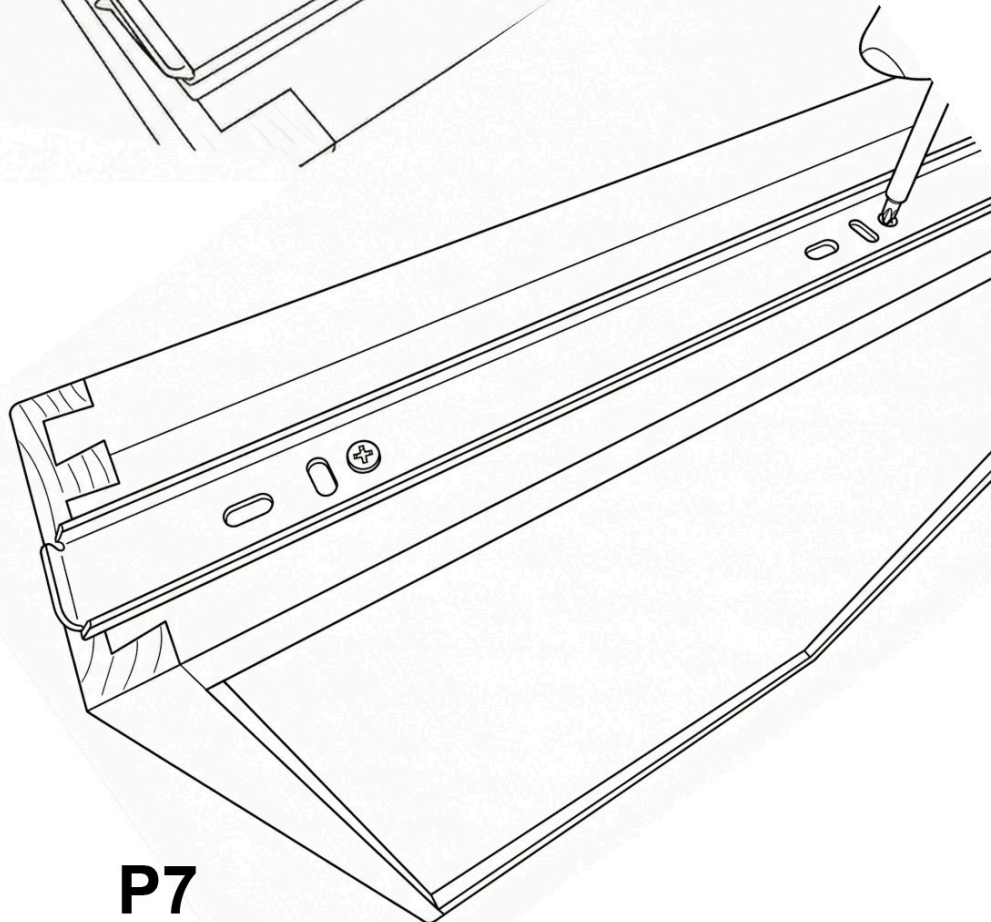
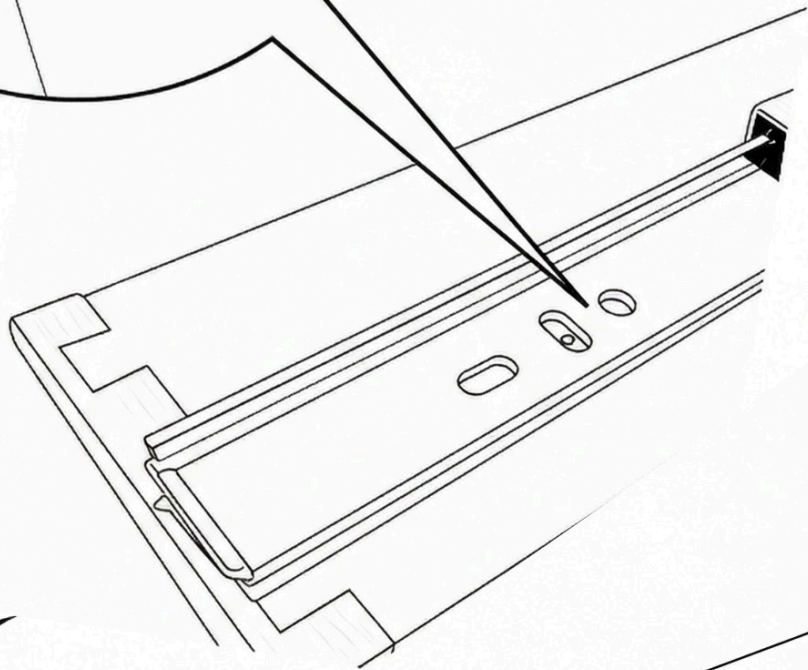
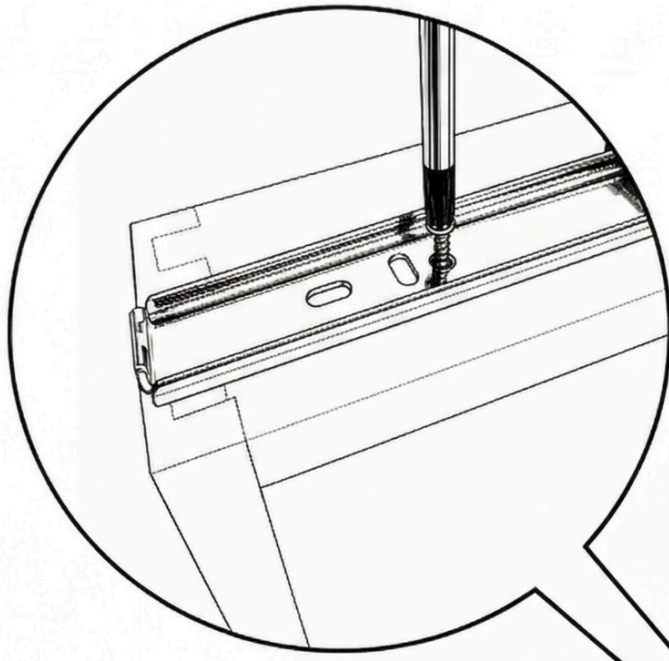
**P5**

6



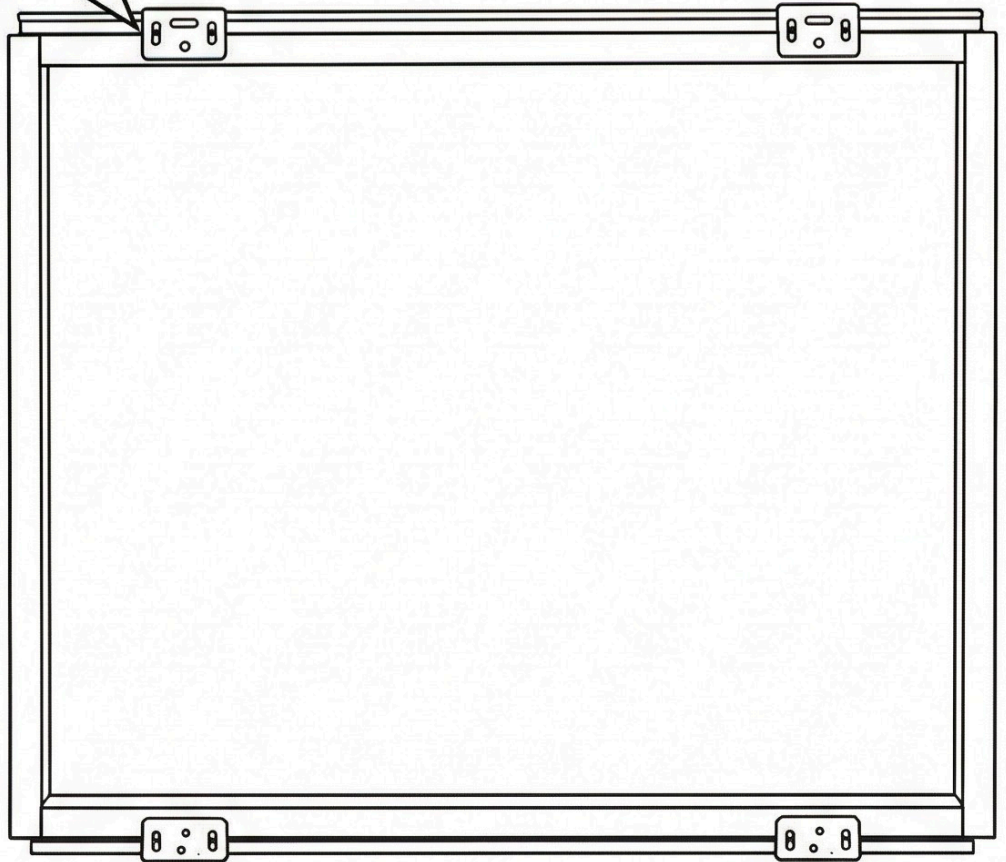
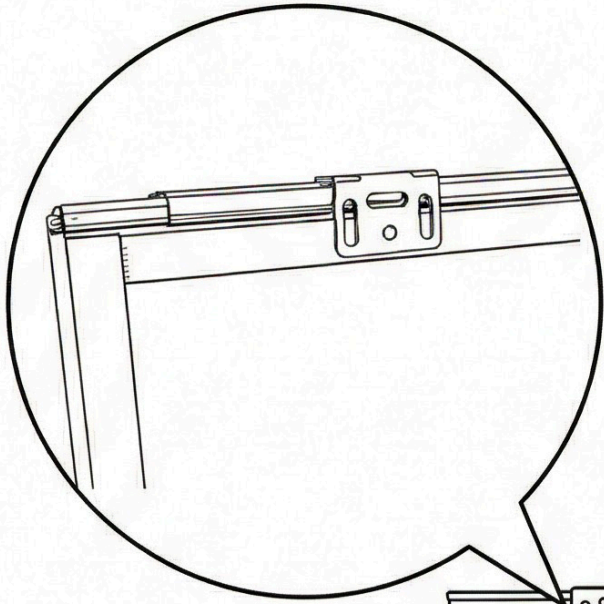
**Align the Holes on the Board**

7



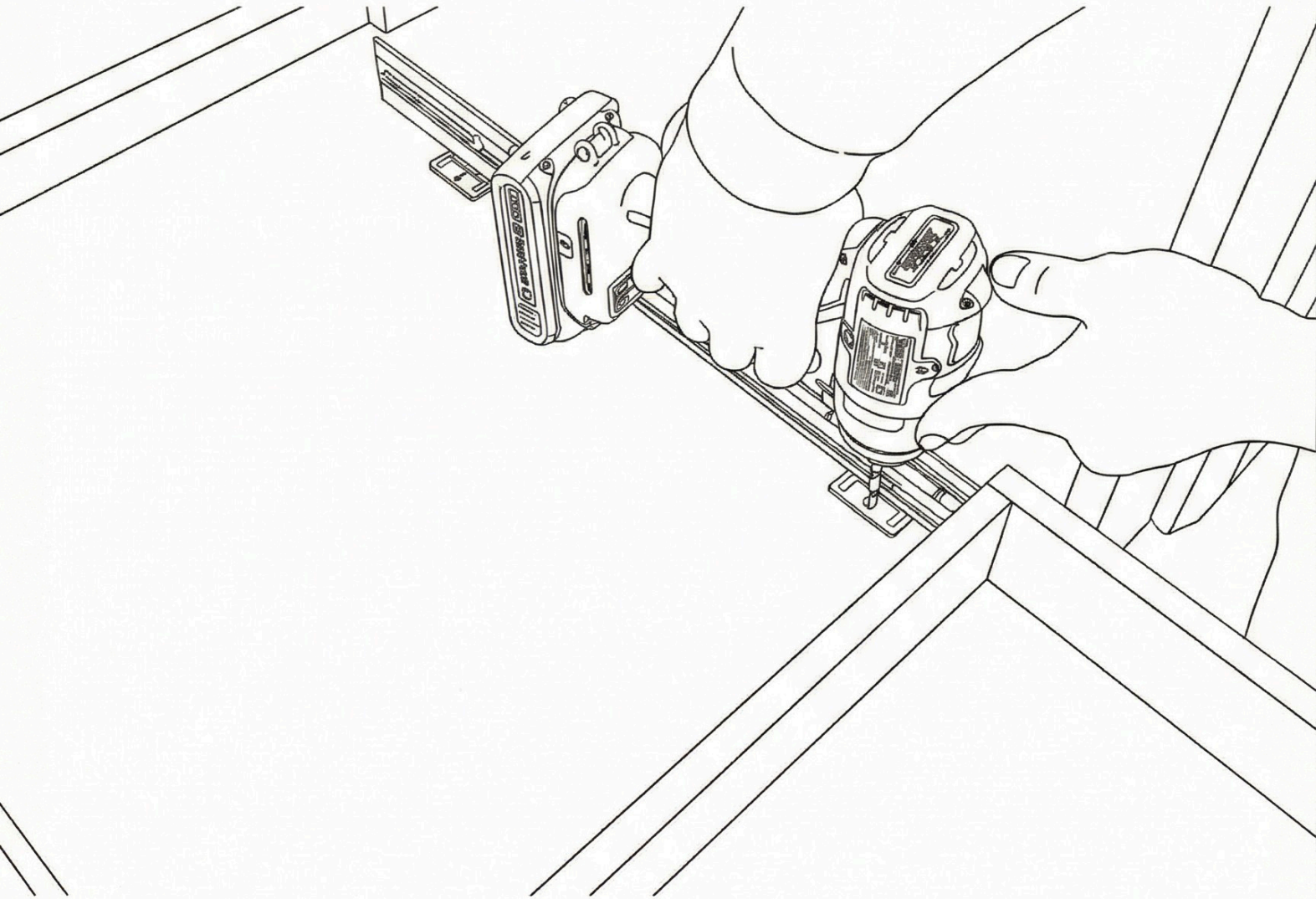
P7

8



P8

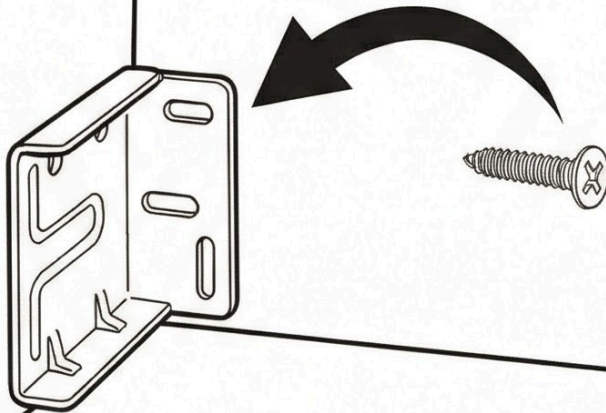
9



**Bottom-Mount**

**P9**

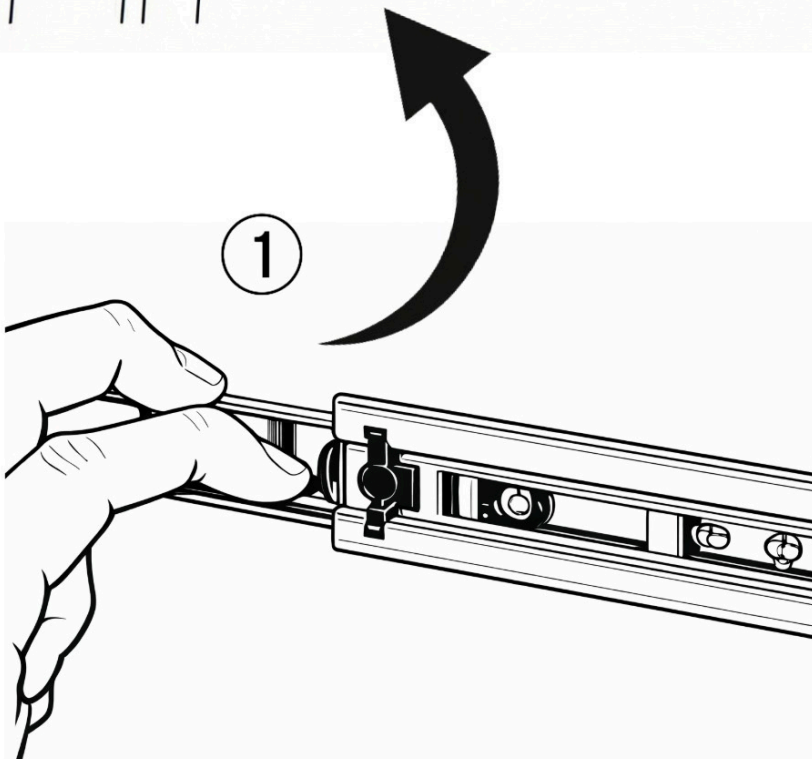
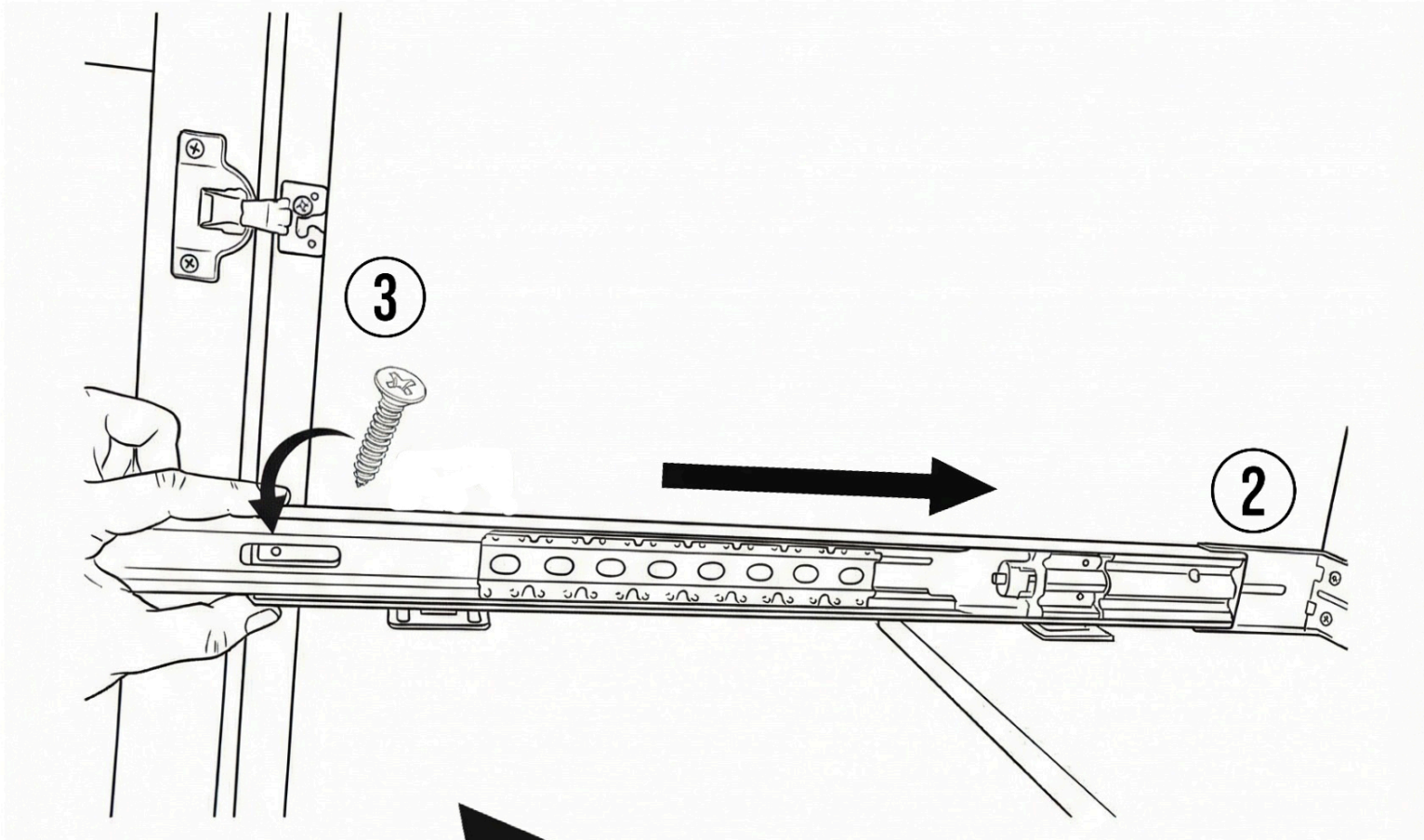
# 10



**Side-Mount**

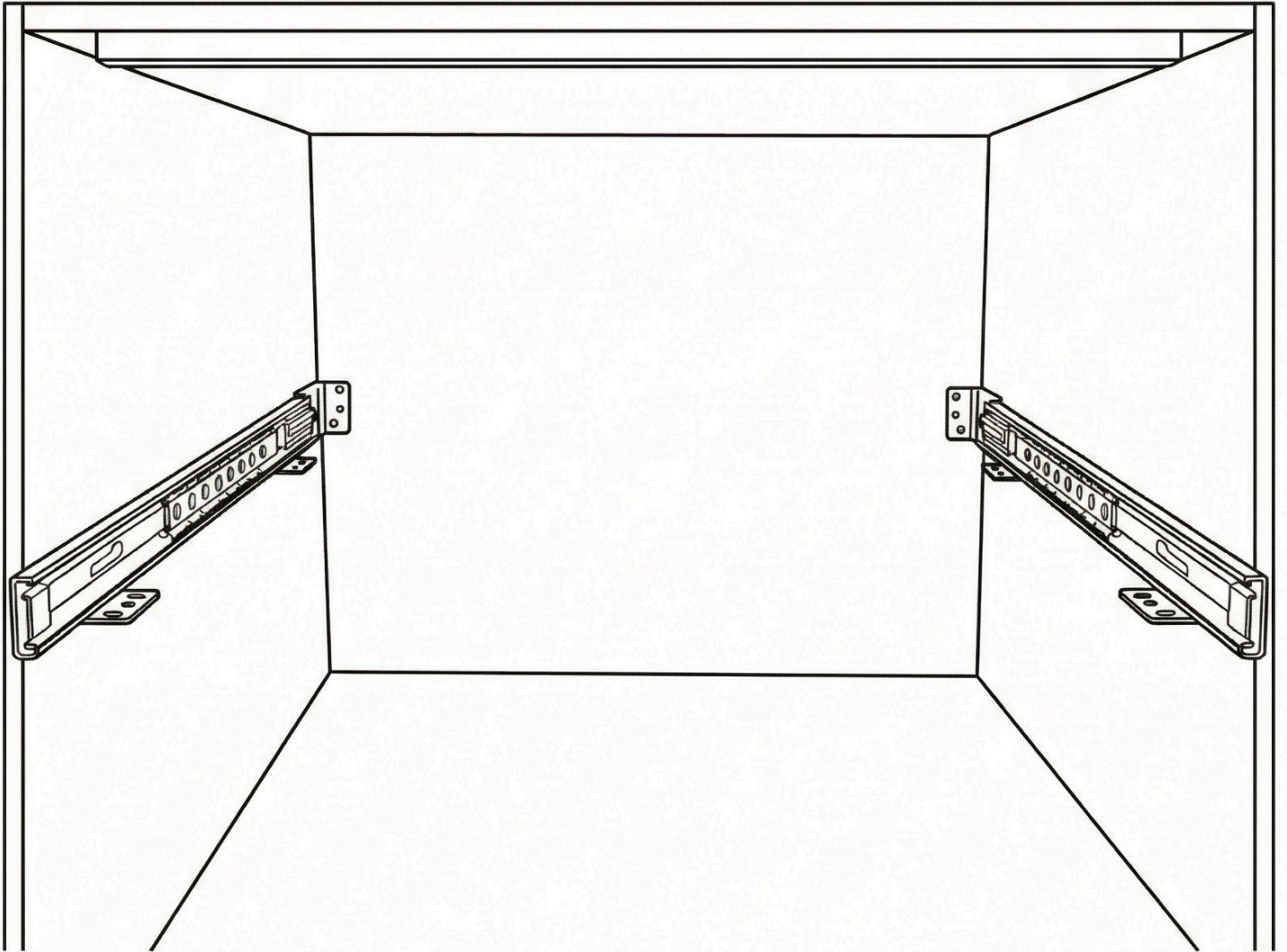
**P10**

# 11



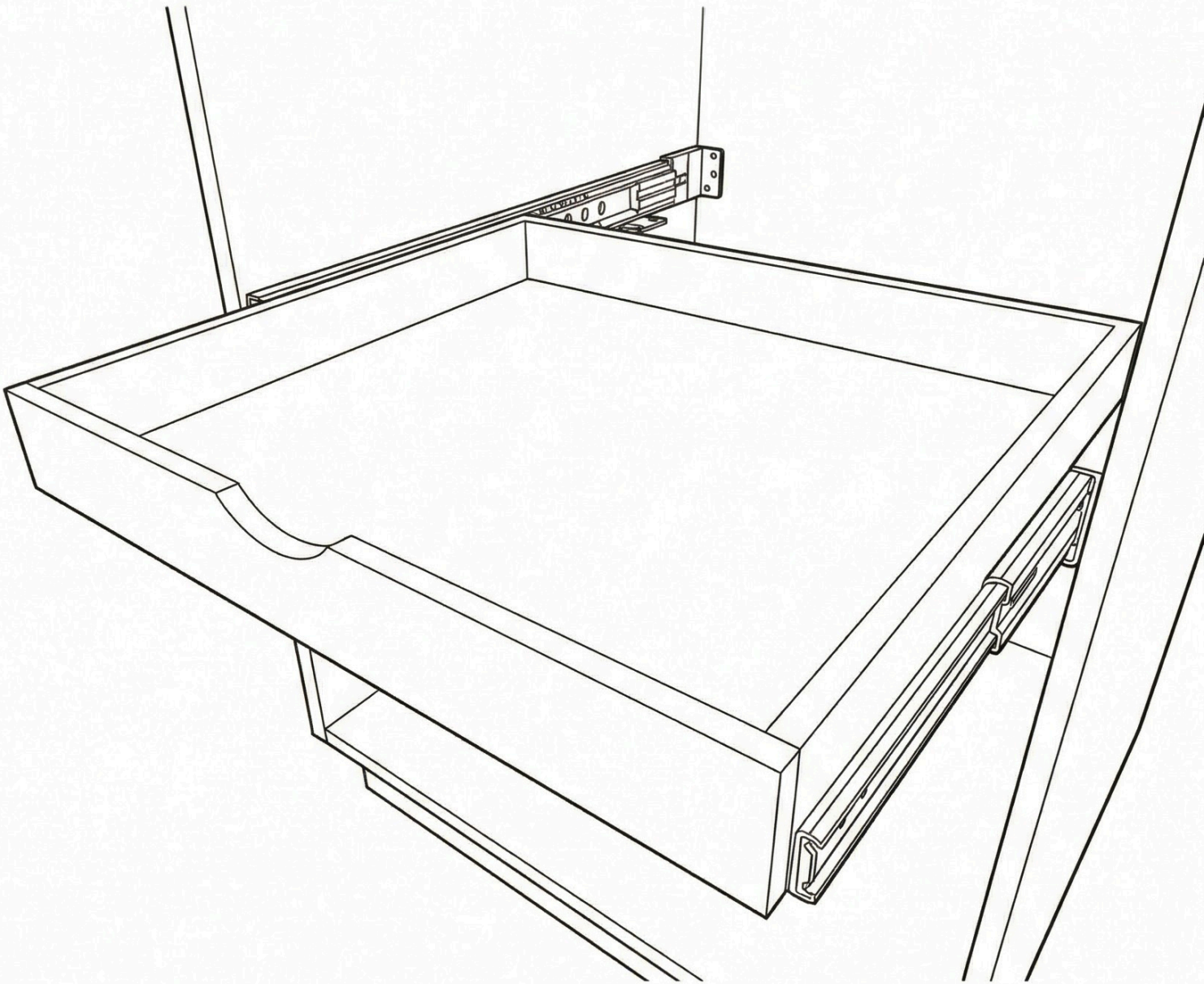
P11

# 12



P12

# 13



P13