

Parts List For Trundle

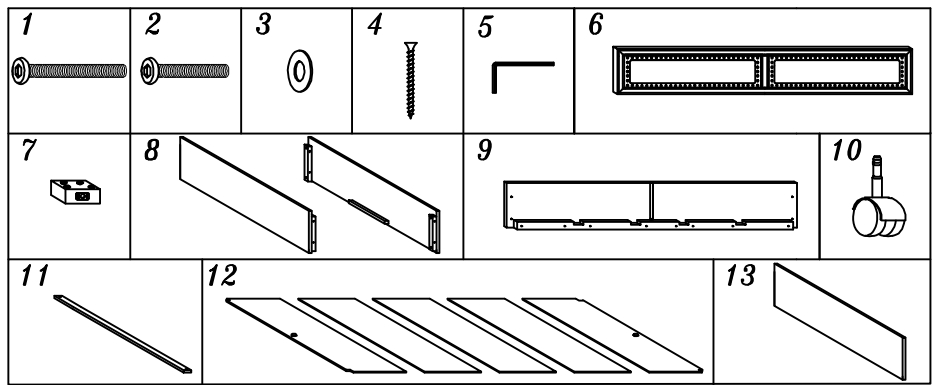
PART HARDWARE BAG FOR TRUNDLE

- (1) 1/4-20 X 2" FLAT ALLEN HEAD SCREW-16
- (2) 1/4-20 X 1 1/2" FLAT ALLEN HEAD SCREW-8
- (3) 1/4" ID X 5/8" OD FLAT METAL WASHER-8
- (4) #4 x 1 3/8" PHILLIPS HEAD WOOD SCREW-8
- (5) ALLEN WRENCH-1

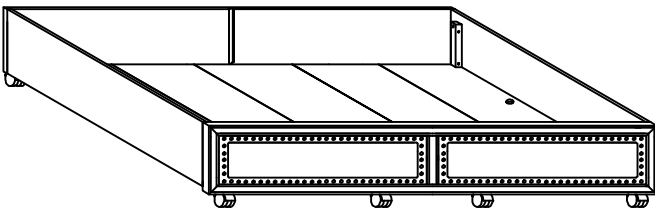
TRUNDLE BED PARTS:

- (6) FRONT PANEL-1
- (7) WOOD BLOCKS-4
- (8) SIDE PANELS-2
- (9) BACK PANEL-1
- (10) CASTERS-8 #331705
- (11) WOOD SLATS-4
- (12) SUPPORT-5
- (13) DIVIDER-1

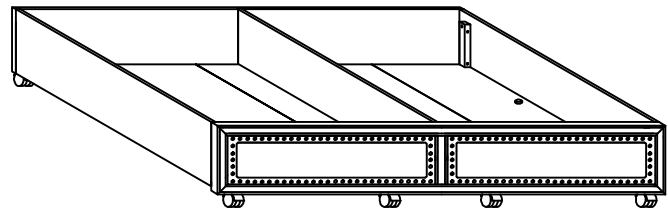
REQUIRED TOOLS:
PHILLIPS SCREW DRIVER
(NOT INCLUDED)



SAVE ALL PACKAGING MATERIALS UNTIL PRODUCT IS FULLY ASSEMBLED. HARDWARE AND SMALL PIECES MAY NOT BE SEEN AND COULD BE ACCIDENTALLY DISCARDED WITH PACKAGING MATERIALS.



TRUNDLE FULLY ASSEMBLY



TRUNDLE FULLY ASSEMBLY WITH DIVIDER

Instruction Sheet

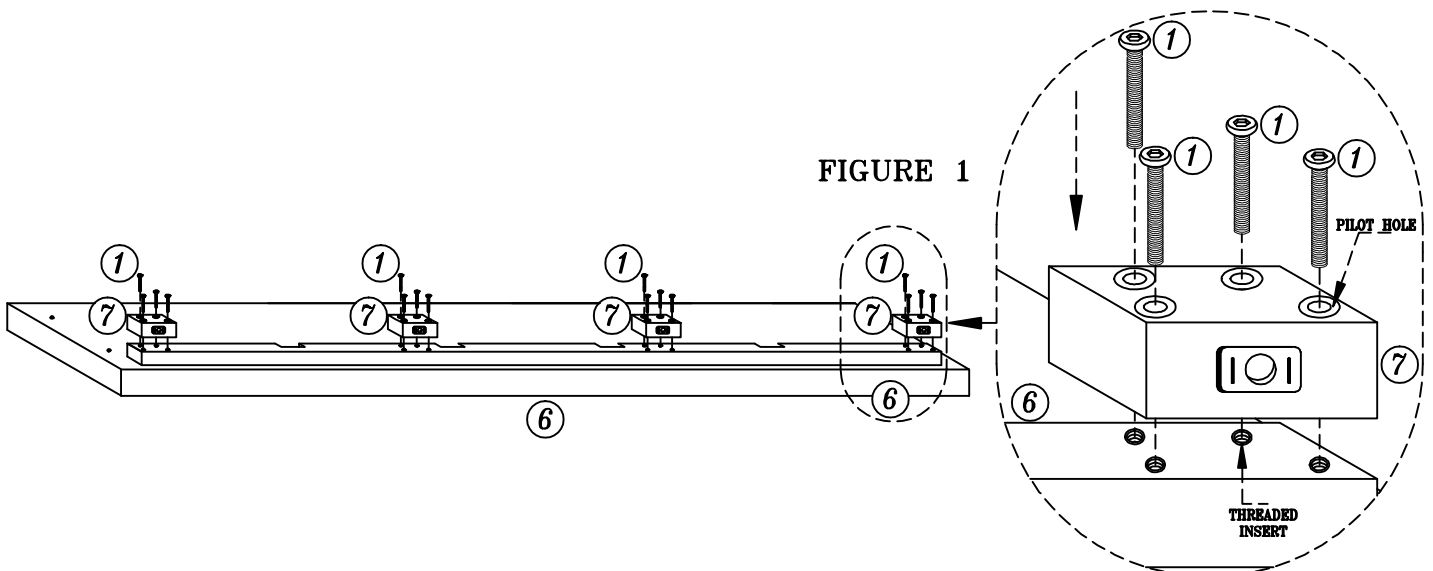
NOTES:

- For ease of assembly you will need a helper.
- Periodically retighten all screws.

Step 1- Assembly of Wood Block to Front Panel.

- Align pilot holes on wood blocks (7) with threaded inserts on front panel (6). SEE FIGURE 1
- Secure wood block (7) with screw (1). Use Allen wrench (5).

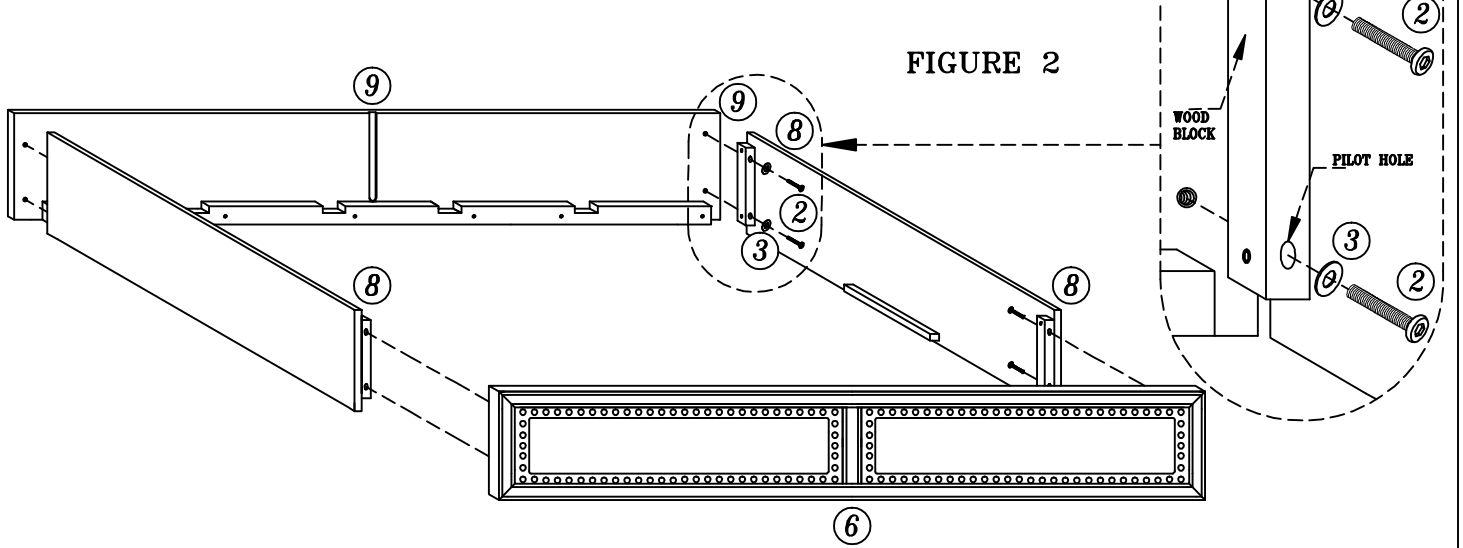
FIGURE 1



Instruction Sheet

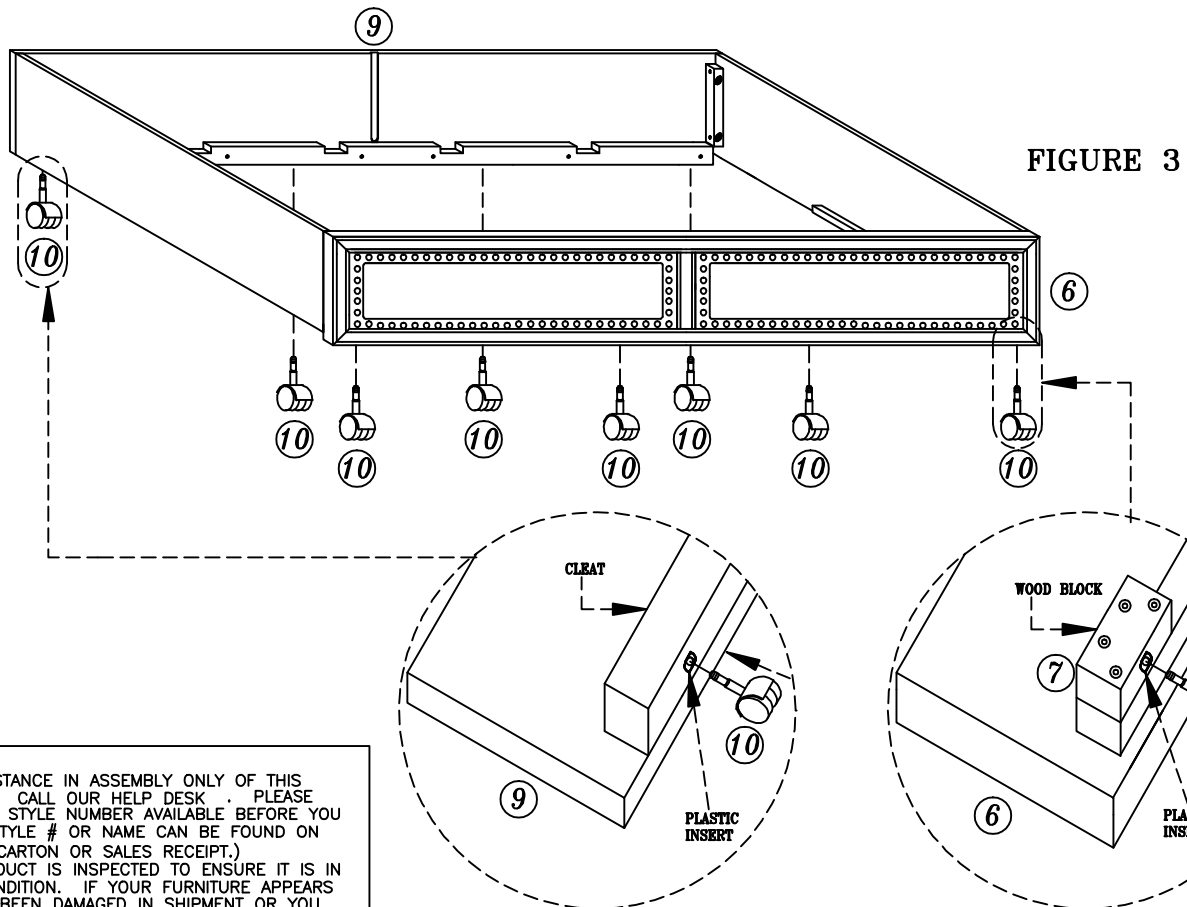
Step 2- Assembly of Side Panels to Front and Back Panel.

- Align pilot holes on wood blocks on side panel (8) with threaded inserts on front panel (6) and back (9). SEE FIGURE 2
- Secure side panels (8) with screw (2) and flat metal washer (3). Use Allen wrench (5).



Step 3- Assembly of Casters to Front and Back Panel.

- Insert caster (10) into plastic inserts on wood blocks (7) and back panel (9) cleat. SEE FIGURE 3

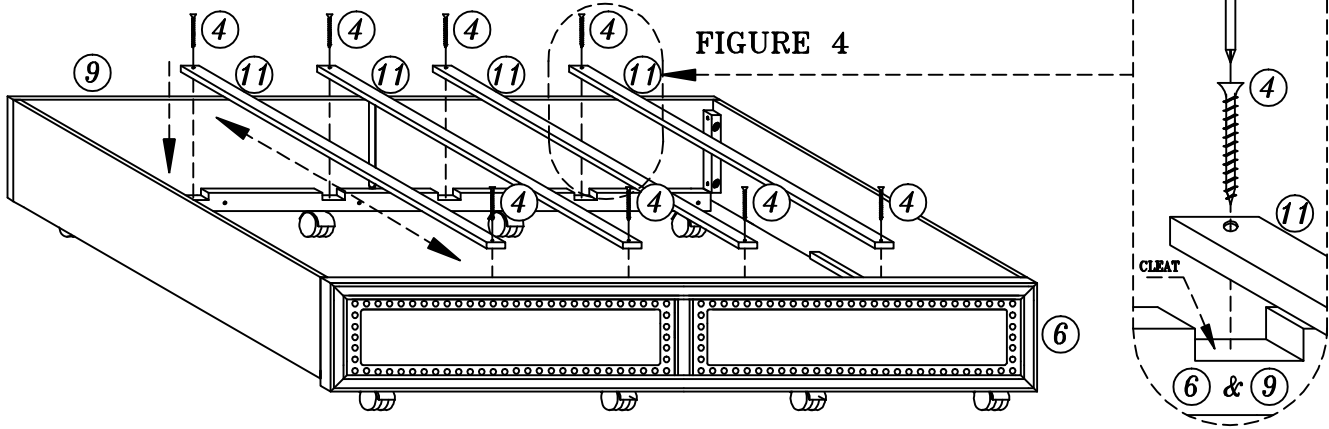


FOR ASSISTANCE IN ASSEMBLY ONLY OF THIS PRODUCT, CALL OUR HELP DESK. PLEASE HAVE THE STYLE NUMBER AVAILABLE BEFORE YOU CALL. (STYLE # OR NAME CAN BE FOUND ON PACKING CARTON OR SALES RECEIPT.) OUR PRODUCT IS INSPECTED TO ENSURE IT IS IN GOOD CONDITION. IF YOUR FURNITURE APPEARS TO HAVE BEEN DAMAGED IN SHIPMENT OR YOU ARE IN NEED OF REPLACEMENT PARTS PLEASE CONTACT THE DEALER FROM WHOM YOU PURCHASED THE PRODUCT.

Instruction Sheet

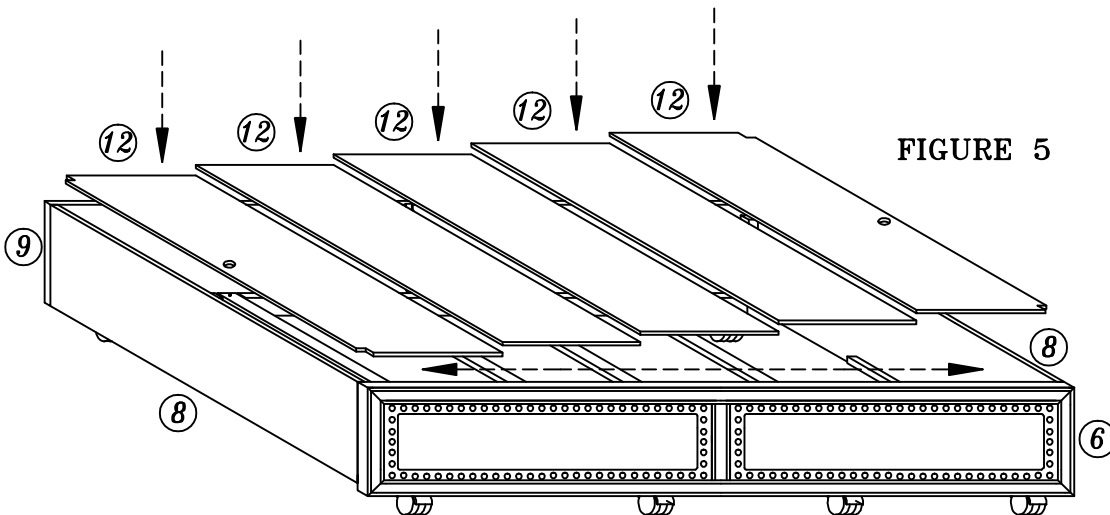
Step 4- Assembly of Wood Slats to Front and Back Panel.

- Place wood slats (11) between front panel (6) and back panel (9). SEE FIGURE 4
- Secure wood slats into cleat on front panel (6) and back panel (9) with phillips head wood screw (4). Use phillips head screwdriver.



Step 5- Assembly of Supports.

- Place supports (12) between side panels (8), front panel (6) and back panel (9). SEE FIGURE 5



Step 6- Assembly of Divider.

- Place divider (13) between front rail (6) and back panel (9). SEE FIGURE 6

