

## CARE AND MAINTENANCE





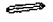







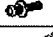

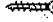
Wipe clean with a soft, dry cloth. The seat board can be cleaned with a mild cleaner. Test the cleaning method on a hidden area before using them over the entire area.

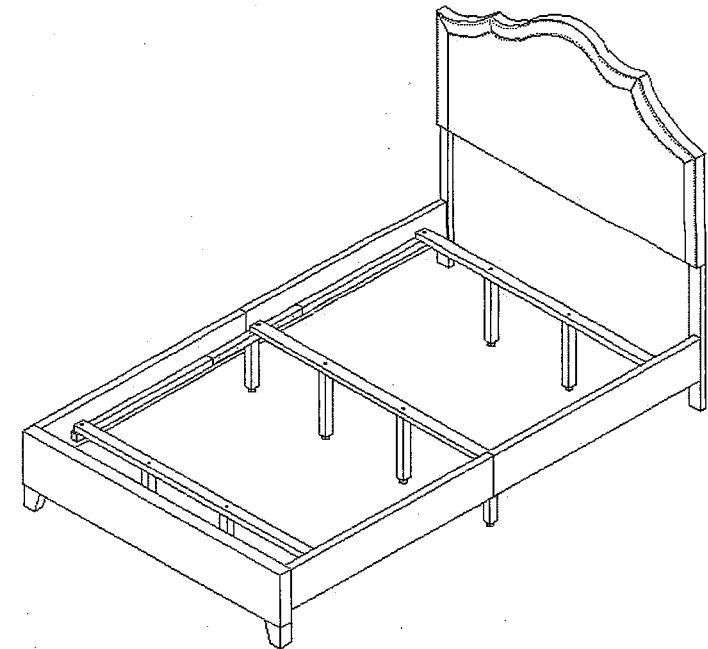
## NOTICE

- \* Please make sure that you have all parts indicated before you begin assembly of this item.
- \* This item should be assembled on a soft surface to prevent scratching the finish during assembly.
- \* This item may require periodic tightening.
- \* Do not tighten bolts until completely assembled.

## Part List and Hardware List

Product Dimensions: 83-3/4"W\*42-1/2"D\*54-1/4"H

Piece	Description	Picture	Quantity
A	HEADBOARD		1X
B	L-POST		1X
C	R-POST		1X
D	FOOTBOARD		1X
E	SUPPORT LEGS OF SLATS		6X
F	SUPPORT LEGS OF RAILS		2X
G	SLAT		3X
H	L-RAIL		2X
I	R-RAIL		2X
J	WOOD LEG		2X
K	WOOD BAR		2X
H1	BOLT 5/16"*2-1/2"		12X
H2	BOLT 1/4"*2"		10X
H3	WRENCH		1X
H4	SCREW		6X

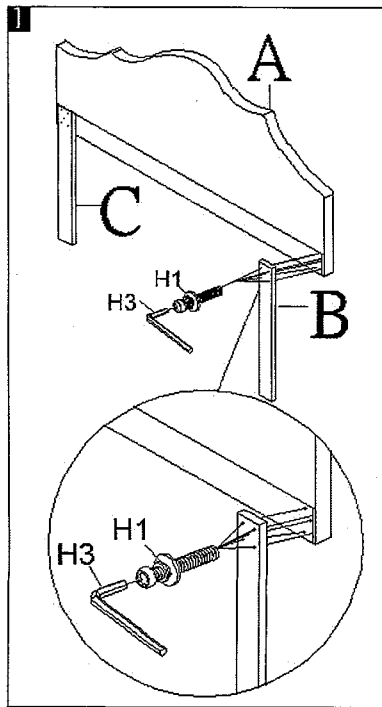


## PREPARATION

Before beginning assembly of product, make sure all parts are present. Compare parts with package contents list and hardware contents list. If any part is missing or damaged, do not attempt to assemble the product.

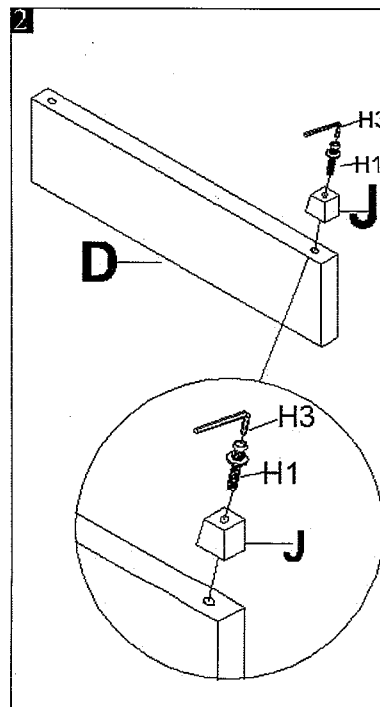
Estimated Assembly Time:15 minutes.

Tools Required for Assembly (included):Wrench.



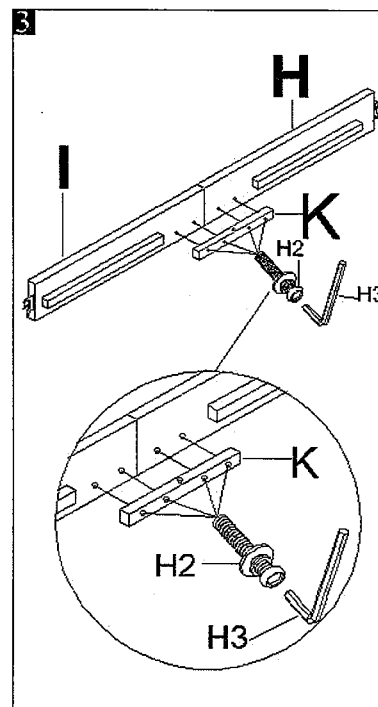
### Step 1

Attach L/R posts "B" & "C" to headboard "A" by using wrench (H3) to lock with bolts "H1".



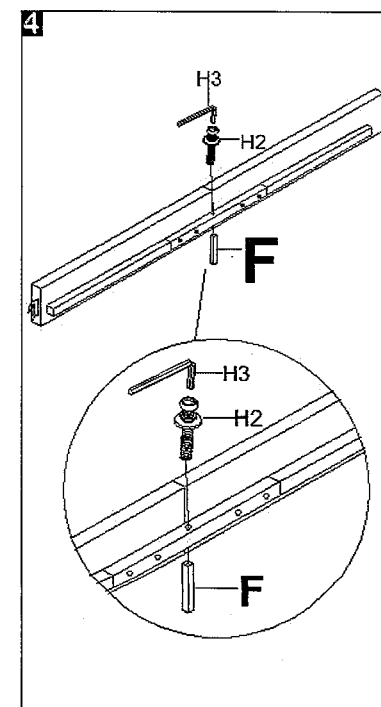
### Step 2

Attach wood legs "J" with footboard "D". Using wrench (H3) to lock with bolts "H1".



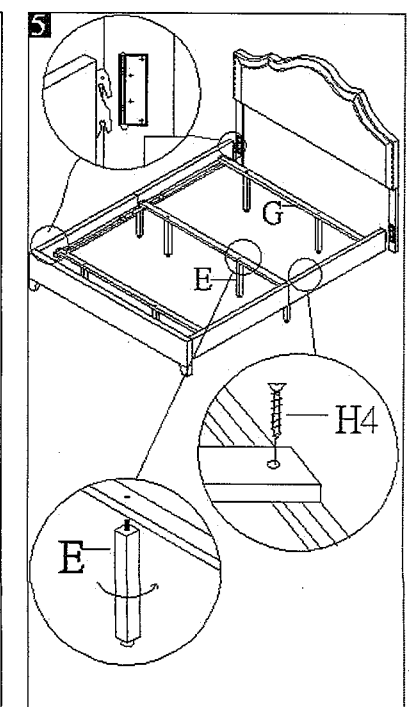
### Step 3

Attach wood bar "K" to the 2 rails "H" & "I".Using wrench (H3) to lock with bolts "H2".



### Step 4

Attach support legs "F" to wood bar "K".Using wrench (H3) to lock with bolts "H2".



### Step 5

Attach 2 rails to the L/R posts & the footboard assembled with legs. Attach 2 support legs(E) to each slat(G). Lock the slats tight with wood bar(both inside of rails) by using 6x screws(H4).