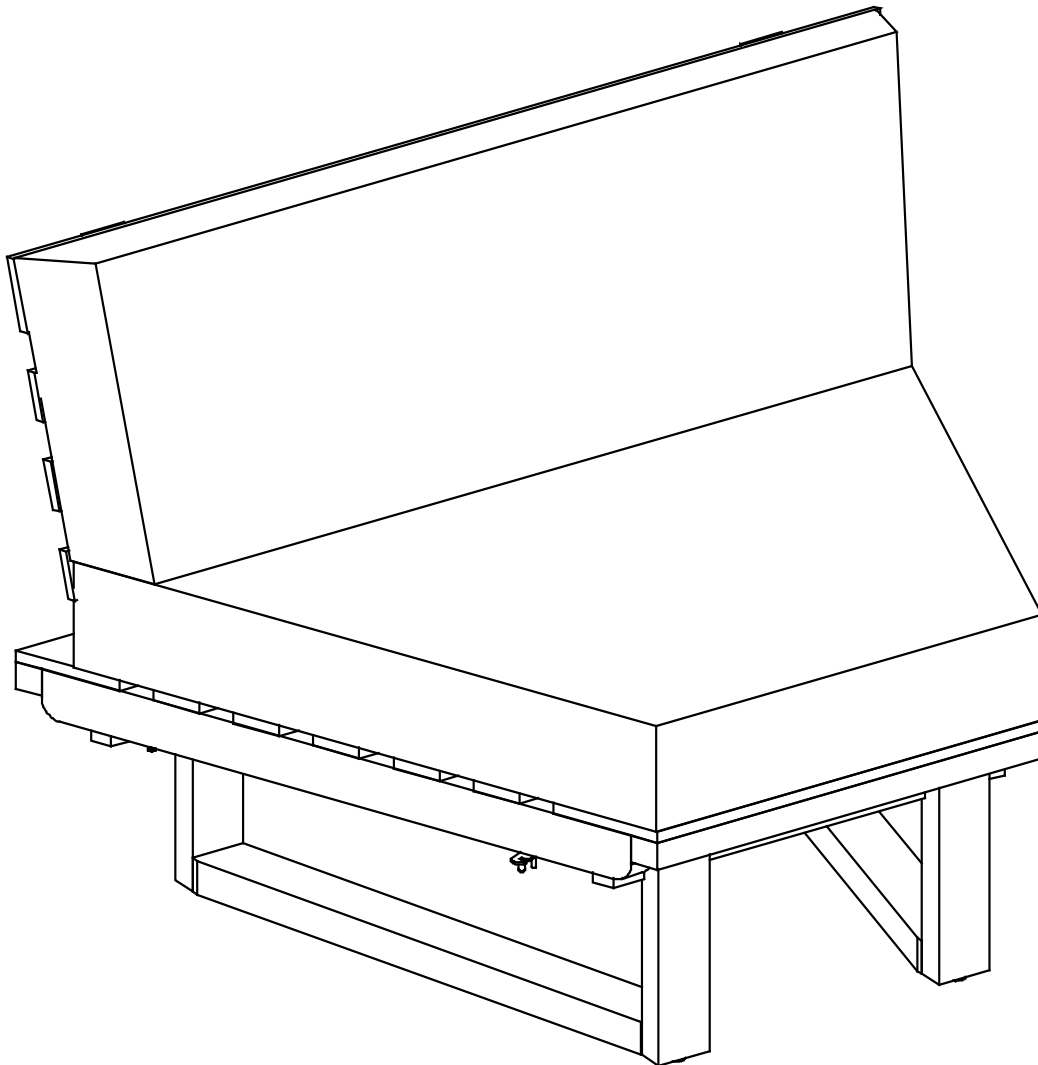


Assembly Instructions

Caution: You must read this before you proceed

Please look in the Table Top for hardware packs.

Corner Chair

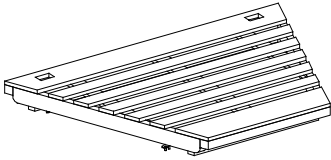
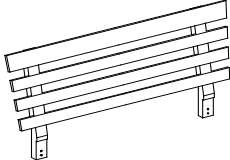
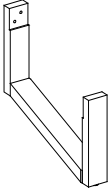
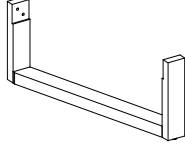
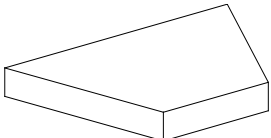
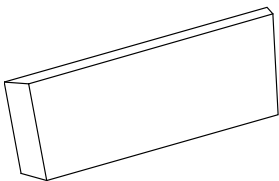


Caution: This Chair is NOT a TOY.


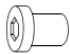

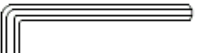
Keep your child / children at bay in the process of assembly.

Whenever moving or lifting the Chair and to prevent damage to the Chair, two adults may be needed to execute these actions.

Parts List

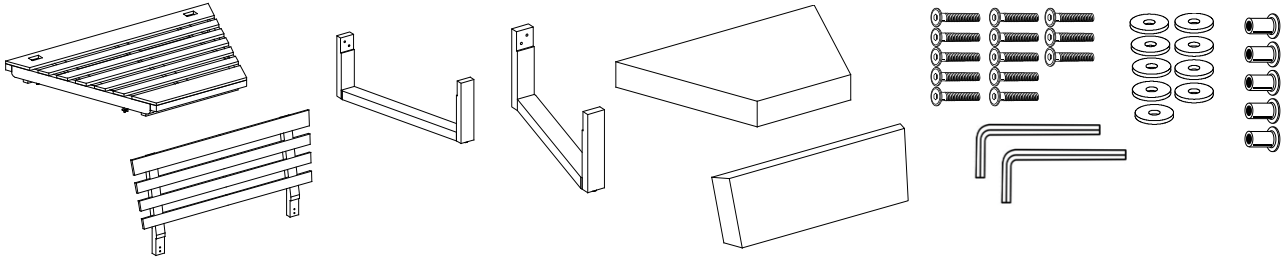
Label	Picture	Description	QTY
A		Seat Panel	1
B		Backrest Panel	1
C		Left Leg Panel	1
D		Right Leg Panel	1
E		Seat Cushion	1
F		Back Cushion	1






Hardware

Label	Picture	Description	QTY
①		Bolt (M6x40mm)	13
②		Sleeve Nut (M6x15mm)	5
③		Washer (M6.5/20x2mm)	9
④		Allen Key	2

Assembly Preparation

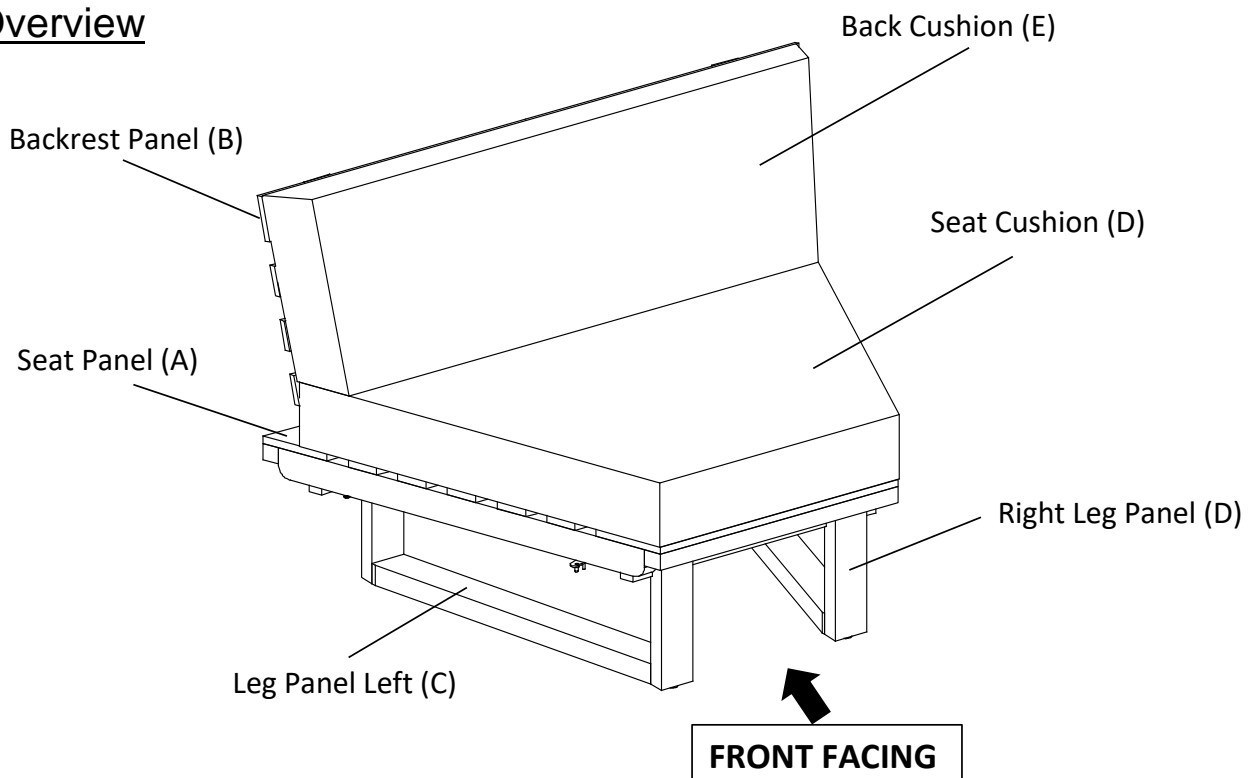
Before Beginning Assembly:



-  • Read instructions, cover to cover-
-  • Have 2 adults on hand for assembly-
-  • Do not assemble on flooring or carpet-
-  • Assemble on a clean non-marring surface (packing foam)-
-  • Save all packaging until finished-

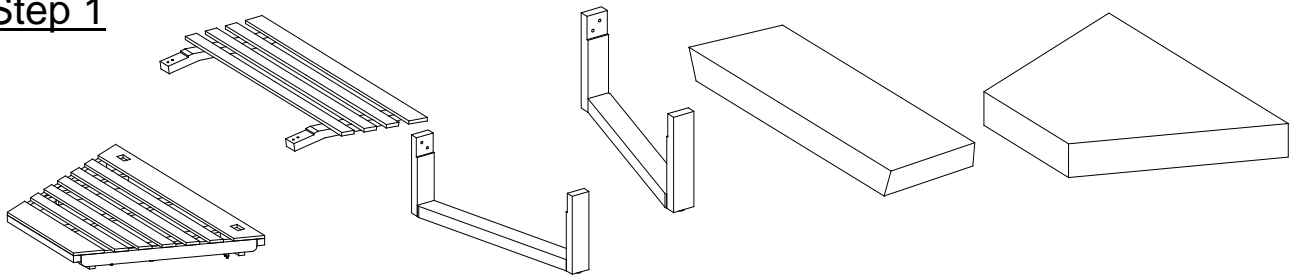
Assembly Steps

Overview



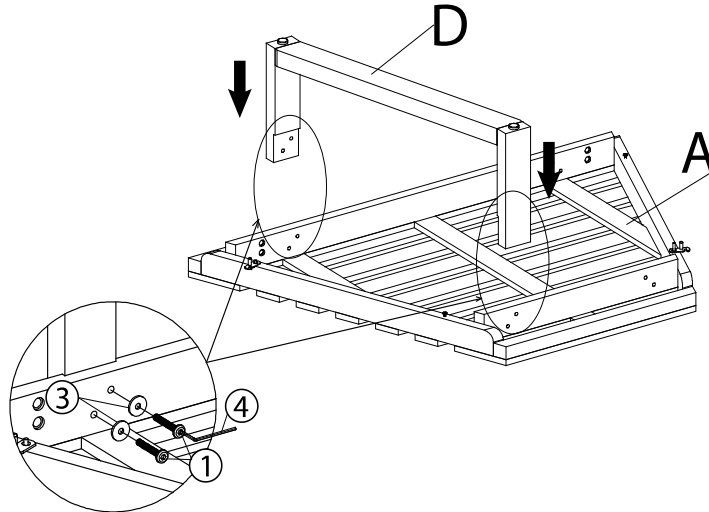
This Corner Chair has multiple parts and may require up to 30 minutes to assemble. To give you an overview of the Corner Chair parts, the above picture is to help you put the various parts into perspective. Please read through the instructions below to familiarise yourself with the parts and steps before assembly.

Step 1



Unpack and place all parts on a clean, non-marring surface.

Step 2

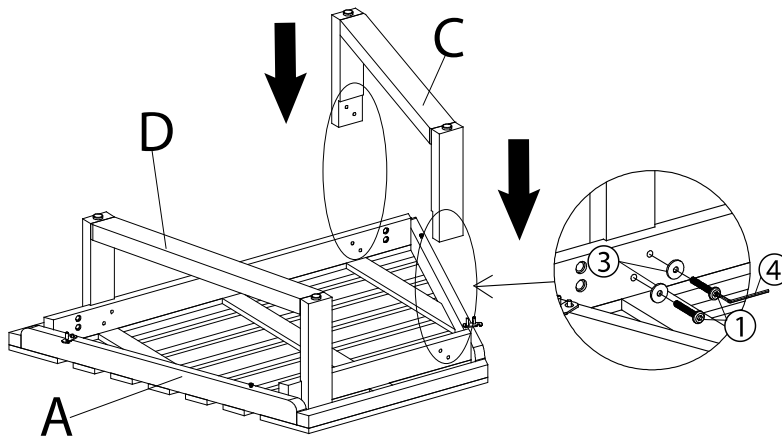


With assistance from your adult partners, turn the Seat Panel(A) facedown as pictured above.

Attach Right Leg Panel(D) into the housing on the Seat Panel(A) then secure by using Bolts(1), and Washers(3) with Allen Key(4) as shown above.

Do not fully tighten the Bolts.

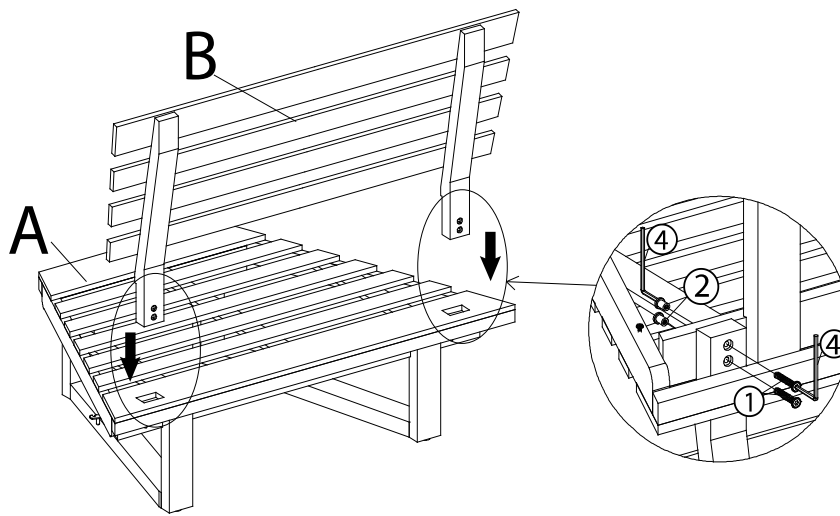
Step 3



Insert the Left Leg Panel(C) into the housing on the Seat Panel(A) then secure by using Bolts(1), and Washers(3) with Allen Key(4) as shown above.

Do not fully tighten the Bolts.

Step 4



With assistance from your adult partners, turn the Chair stand up as pictured above. Attach the Backrest Panel(B) to the Seat Panel(A) then secure by using the secure by using Bolts(①), and Sleeve Nut(②) with Allen Key(④) as shown above.

Place the Chair on a flat, level surface.

Carefully sit, onto the Chair.

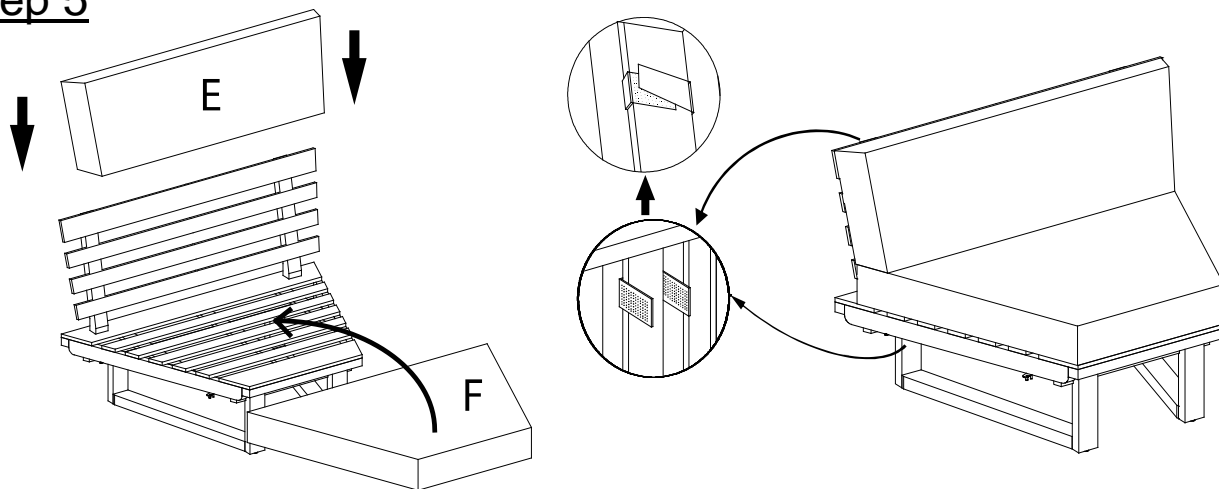
This pressure will help the Legs and Seat panel reach full alignment at all joints.

Check for wobbles.

In a sequential manner, gradually tighten all Bolts until evenly secured.

Inspect the Chair and make sure all parts are adequately connected.

Step 5



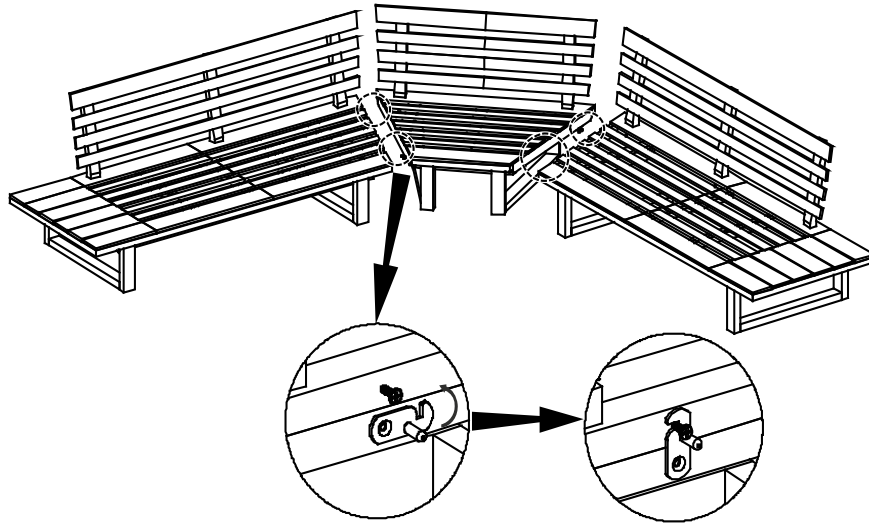
Place Seat Cushion(D), and Back Cushion(E) onto the chair as pictured.

Secure the velcro straps as shown in the diagrams.

Your Corner Chair is ready for use.

This Corner Chair can only be used on a flat, level surface.

Step 6



Note: This is an optional step in case you want to connect the Corner Chair and Loveseats. It should be done before securing Cushions.

With assistance from your adult partners, rotate the latches onto the pre-fixed clips to connect the items together.

Care & Maintenance

- Do not put hot items directly on furniture surface.
 - Do not clean furniture with harsh cleansers or polish.
 - To obtain the longest lifespan of your outdoor products, minimizing exposure to direct sunlight is recommended.
 - Children should not climb or jump on the furniture.
 - Do not write on furniture without a padded barrier to protect the surface.
 - To obtain the longest lifespan of your outdoor products, avoid extended and lengthy exposure to rain, snow, and direct sunshine. Whenever possible cover the product and /or place under patio or awnings.
 - Not for commercial use. For residential use only.
 - Stains may be removed with mild soap solution and damp cloth.
-
- Dust and pick-up spills using a clean, non-colored, lint-free cloth.