

CERNE MEDIUM PENDANT

KWPD18827NB

General Product Information



Tools Required



Safety Information

SAVE THESE INSTRUCTIONS!

CAUTION-RISK OF FIRE

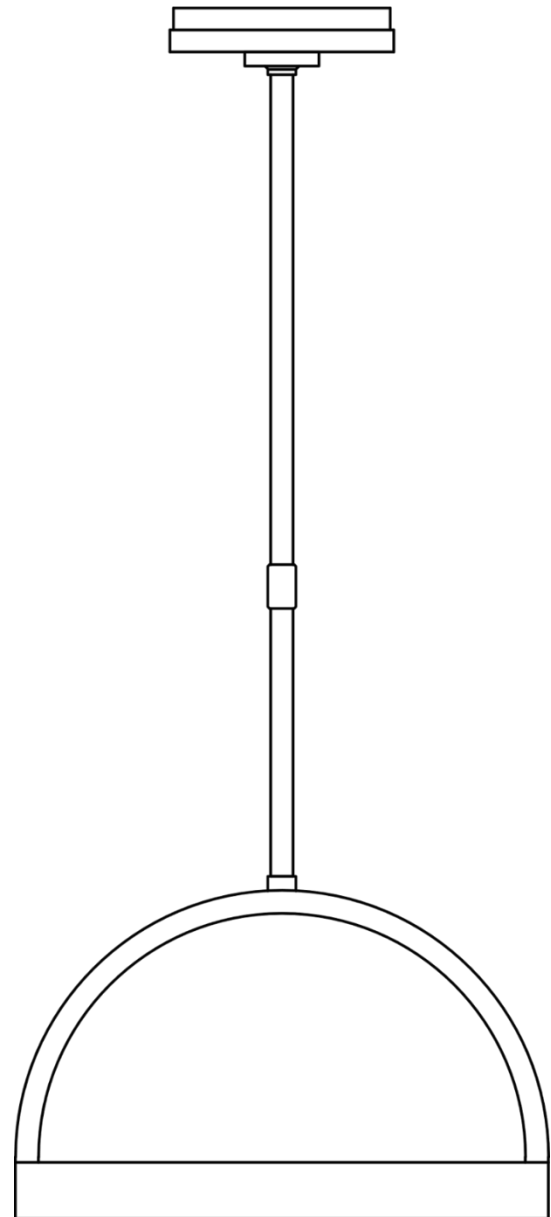
This product must be installed in accordance with the applicable installation code by a person familiar with the construction and operation of the product and the hazards involved.

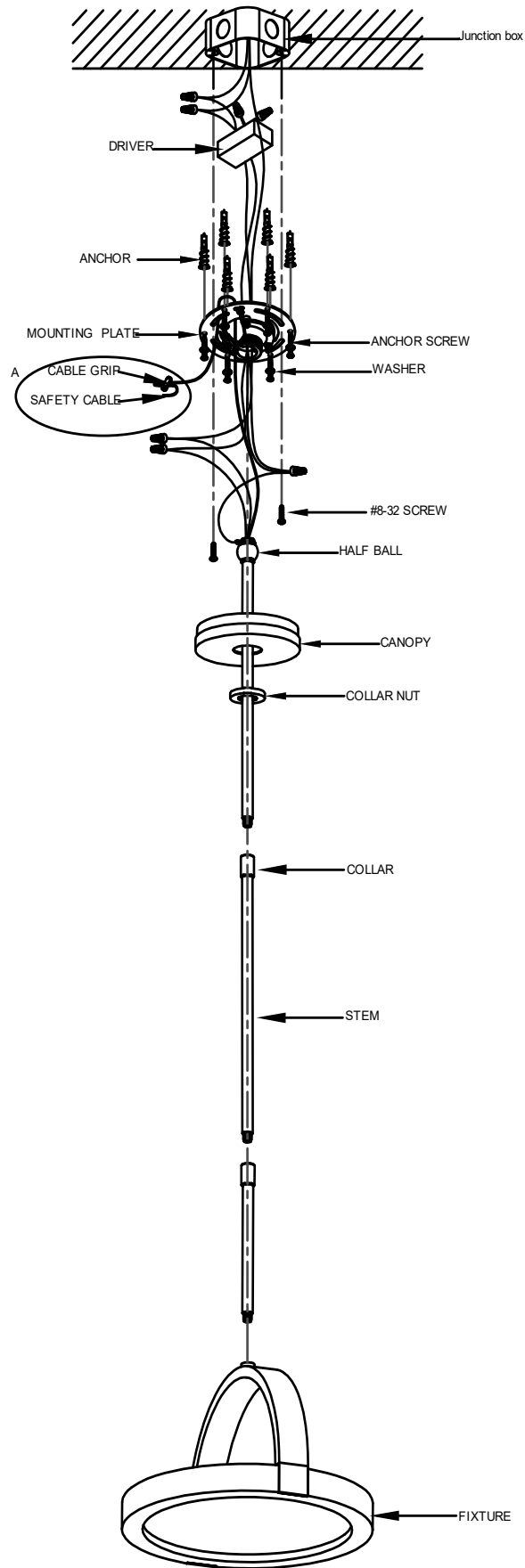
USE MINIMUM 90°C SUPPLY CONDUCTORS.



Turn off electrical current at the source before working with any lighting fixture or portable lamp.

Install and use this product in adherence with local electrical codes and regulations.





INSTRUCTIONS

I. Preparation

1. Remove the mounting plate from the canopy.
2. Temporarily install the mounting plate to the junction box with the two #8-32 screws provided.
3. Mark the location of the anchors.
4. Remove the mounting plate for installing the anchors.
5. Line up an anchor tip with the center of an anchor hole in the marked position, then push the anchor into the ceiling up to the threads.
6. Screw the anchor in the rest of the way with a Phillips-head screwdriver.
7. Repeat step #4-5 for the remaining anchors.

II. Wiring the Fixture

1. Connect the following wires using a wire nut:
 - a) Input driver wire (white) to the neutral power line wire
 - b) Input driver wire (black) to the hot power line wire

III. Additional Preparation

1. Place the driver into the junction box, ensuring that the driver output wires are accessible.
2. Reinstall the mounting plate to the junction box with the two #8-32 screws (included).
3. Slide an anchor screw through a washer and screw it into an anchor, securing the mounting plate to the ceiling.
4. Repeat step 3 for the remaining anchor screws.
5. Slide the canopy and then the collar nut onto the half-ball/stem assembly.
6. Adjust the fixture height:
 - a) Determine the desired height of the fixture using the provided stems, collars, and half-ball/upper stem.
 - b) Feed the fixture wires through each section of the stem assembly, screwing the sections together as each piece is added.
 - c) Once the desired height is reached, screw the entire stem assembly to the top of the fixture.
7. Seat the half ball into the mounting plate, ensuring that no wires are pinched.
8. Remove the cable grips (see the circled area of the diagram labeled **A**), pull the cable up and then down through the mounting plate, feed the cables through the cable grips, and then secure them to the mounting plate as shown.
9. Tighten the screws to secure the cables.

IV. Continuing the Wiring

1. Connect the fixture to a suitable ground in accordance with local electrical codes.
2. Connect the following wires using a wire nut:
 - a) Negative (-) fixture wire to the negative (-) output driver wire
 - b) Positive (+) fixture wire to the positive (+) output driver wire
 - c) If 0-10V dimming is used, connect the purple and pink wires to a compatible dimmer.
 - d) If 0-10V dimming is not used, be sure to cap off these wires.

V. Installing the Fixture

1. Slide the canopy up over the mounting plate and secure it in place with the collar nut.
2. Turn on the power.