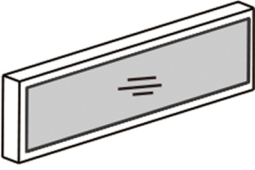




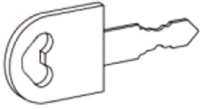



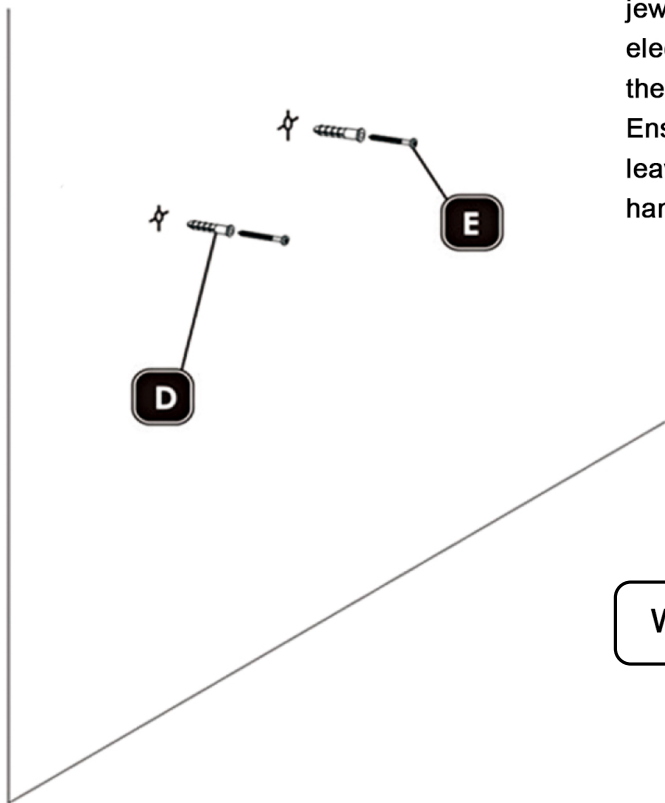


# PRODUCT ASSEMBLY

<b>A</b>  <b>X1</b>	<b>B</b>  <b>X2</b>	<b>C</b>  <b>X4</b>	<b>D</b>  <b>X2</b>	
<b>E</b>  <b>X2</b>	<b>H</b>  <b>X2</b>	<b>F</b>  <b>X2</b>	<b>I</b>  <b>X2</b>	<b>J</b>  <b>X1</b>

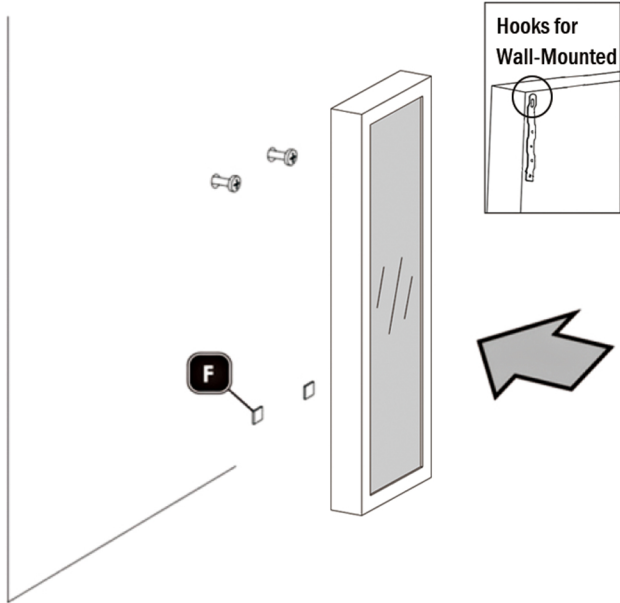
**1**



Measure and mark two points on the wall aligned with the holes in the back of the jewelry cabinet. Drill these points with an electric drill. Insert anchors D into the holes, then secure screws E into the anchors. Ensure the screws are not fully tightened, leaving enough length for adjusting the hanging height of the jewelry cabinet.

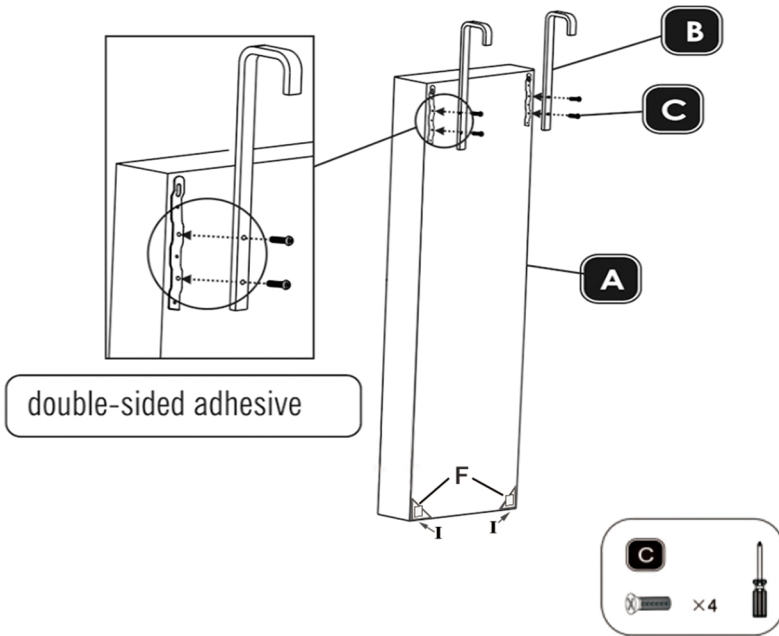
Wall-mounted Option

2



Measure and mark two points on the wall corresponding to the holes on the back of the jewelry cabinet hooks. Use an electric drill to create holes at these points. Insert anchors (D) into the holes and secure screws (E) into the anchors. Ensure screws are not fully tightened, leaving sufficient length for adjusting the hanging height of the jewelry cabinet (length can be adjusted as needed).

3



4

